



US00D638508S

(12) **United States Design Patent**  
**Somogyi**

(10) **Patent No.:** **US D638,508 S**

(45) **Date of Patent:** **\*\* \*May 24, 2011**

(54) **FISHING LURE**

(76) Inventor: **Peter Somogyi**, Enfield (AU)

(\* ) Notice: This patent is subject to a terminal disclaimer.

(\*\*) Term: **14 Years**

(21) Appl. No.: **29/360,529**

(22) Filed: **Apr. 27, 2010**

(30) **Foreign Application Priority Data**

Oct. 29, 2009 (AU) ..... 14241/2009

(51) **LOC (9) Cl.** ..... **22-05**

(52) **U.S. Cl.** ..... **D22/126**

(58) **Field of Classification Search** ..... D22/126-133;  
43/37, 42.03, 42.06, 42.09, 42.16, 42.18,  
43/42.24, 42.26, 42.4, 42.48, 44.81, 42.39,  
43/46

See application file for complete search history.

(56) **References Cited**

**U.S. PATENT DOCUMENTS**

2,500,451	A	3/1950	Codd	
2,557,577	A	6/1951	Soma	
2,703,945	A	3/1955	Johnson	
D217,602	S *	5/1970	Gurka	..... D22/126
4,033,063	A	7/1977	Mize	
4,453,335	A	6/1984	Smith	
4,630,389	A	12/1986	Higgins	
4,881,340	A	11/1989	Davis	

5,301,453	A	4/1994	Terrill	
5,331,762	A	7/1994	Banks	
5,369,906	A	12/1994	Anterni	
5,444,935	A	8/1995	Pahle	
6,115,956	A *	9/2000	Firmin	..... 43/42.06
D458,335	S *	6/2002	Bambacigno	..... D22/126
D461,218	S *	8/2002	Bambacigno	..... D22/126
6,427,375	B1 *	8/2002	Hair et al.	..... 43/42.06
D466,180	S *	11/2002	Bambacigno	..... D22/126
D478,960	S *	8/2003	Acker	..... D22/126
6,857,220	B2	2/2005	King	
7,036,264	B2	5/2006	Barbary	
7,263,798	B2	9/2007	Nichols	
2004/0031186	A1	2/2004	Soldan et al.	

**FOREIGN PATENT DOCUMENTS**

AU	199891388	A1	6/1999
WO	2009/149488	A1	12/2009

\* cited by examiner

*Primary Examiner* — Catherine R Oliver

(74) *Attorney, Agent, or Firm* — Howard & Howard Attorneys PLLC

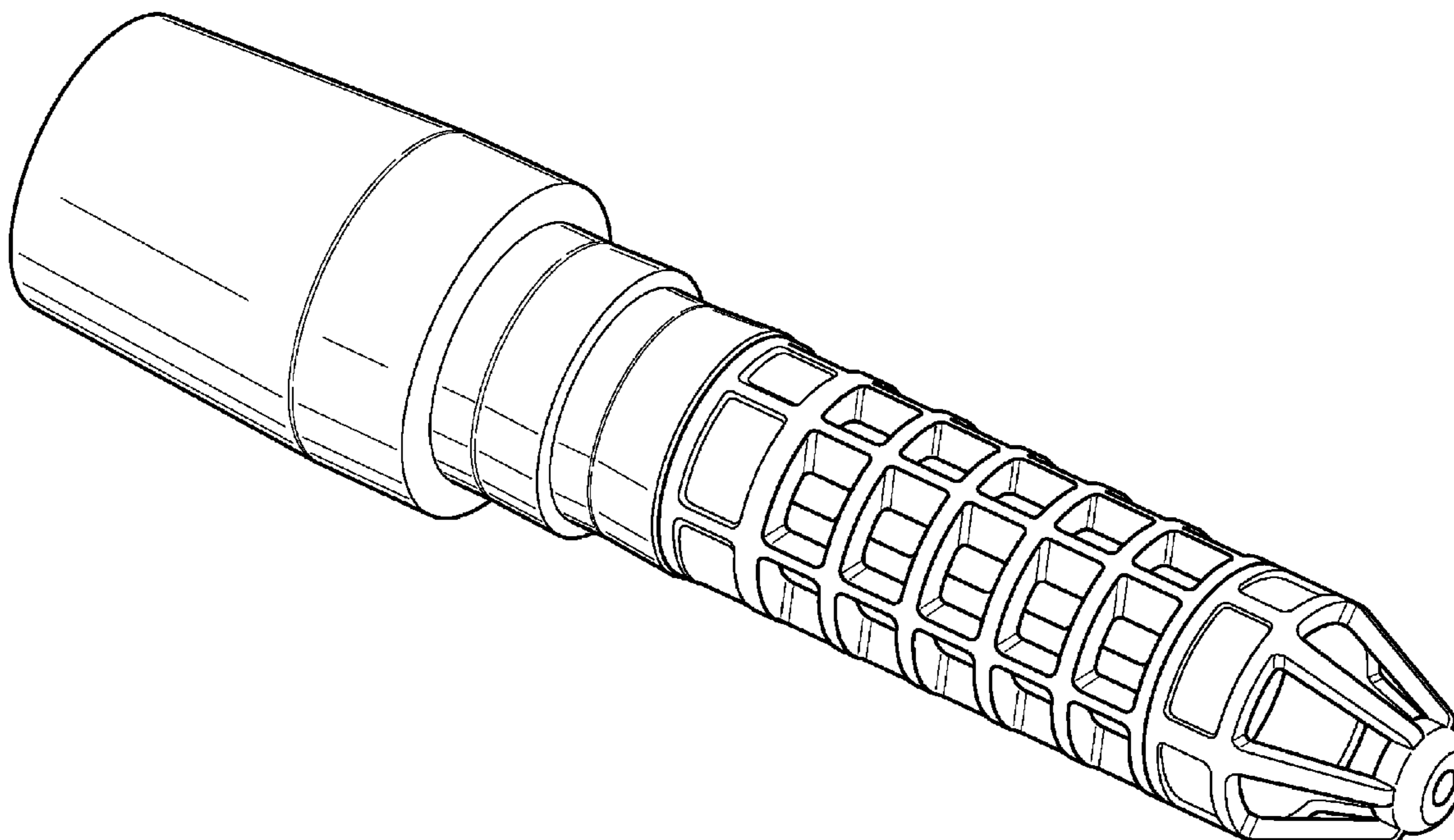
(57) **CLAIM**

The ornamental design for a fishing lure, as shown and described herein.

**DESCRIPTION**

FIG. 1 is a perspective view of the fishing lure;  
FIG. 2 is a side elevational view of the fishing lure, opposing sides being identical thereto;  
FIG. 3 is a front elevational view of the fishing lure; and,  
FIG. 4 is a rear elevational view of the fishing lure.

**1 Claim, 1 Drawing Sheet**



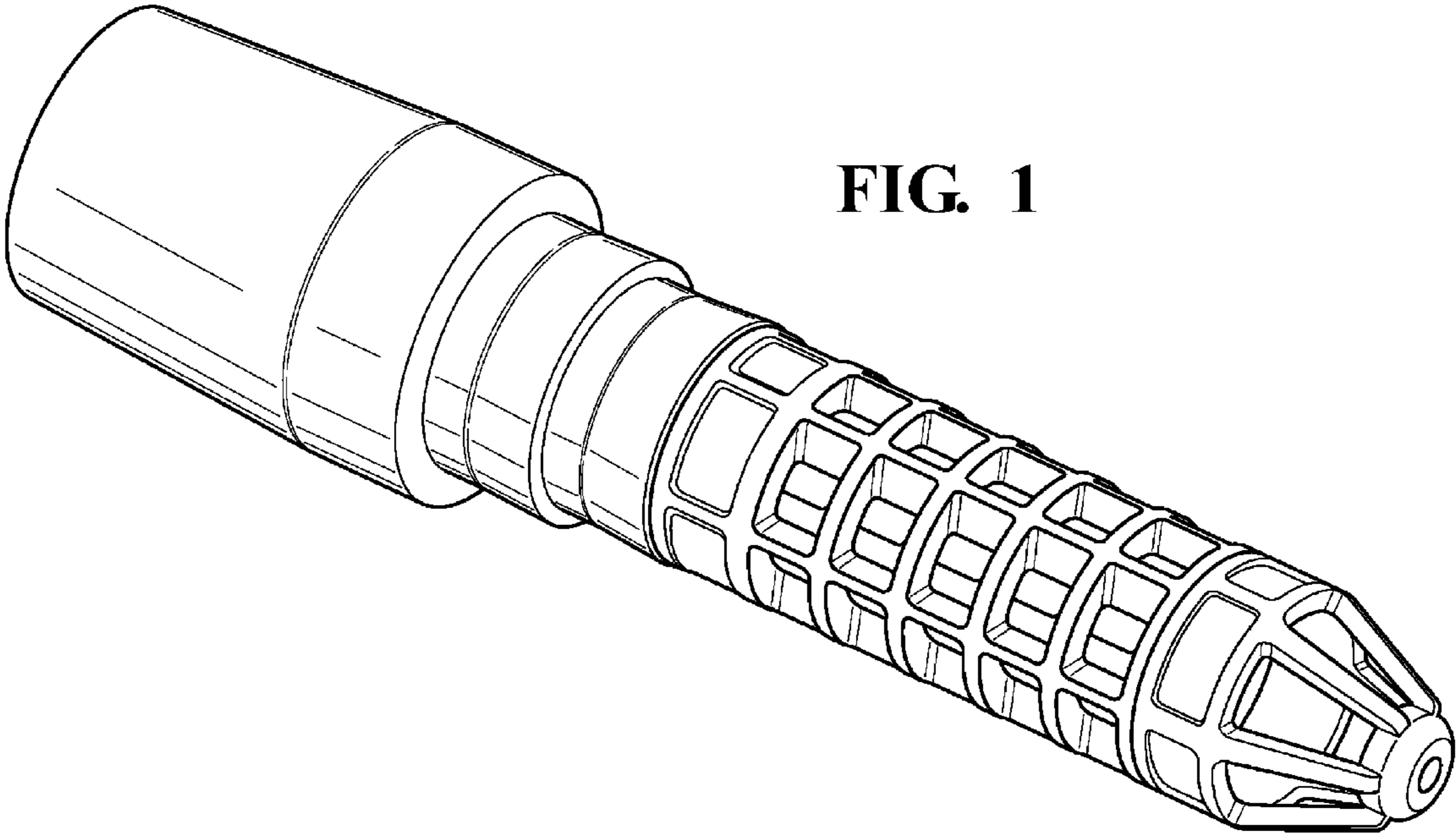


FIG. 1

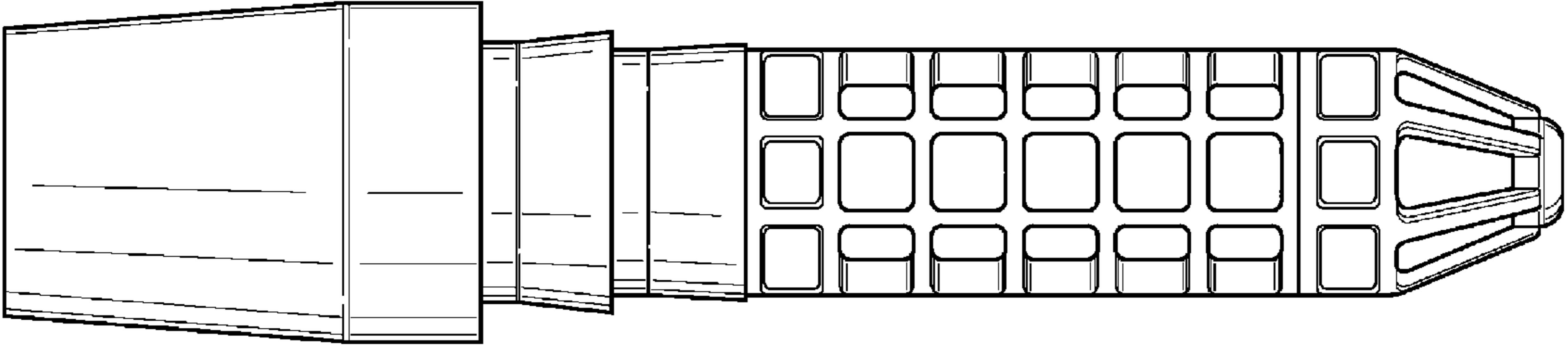


FIG. 2

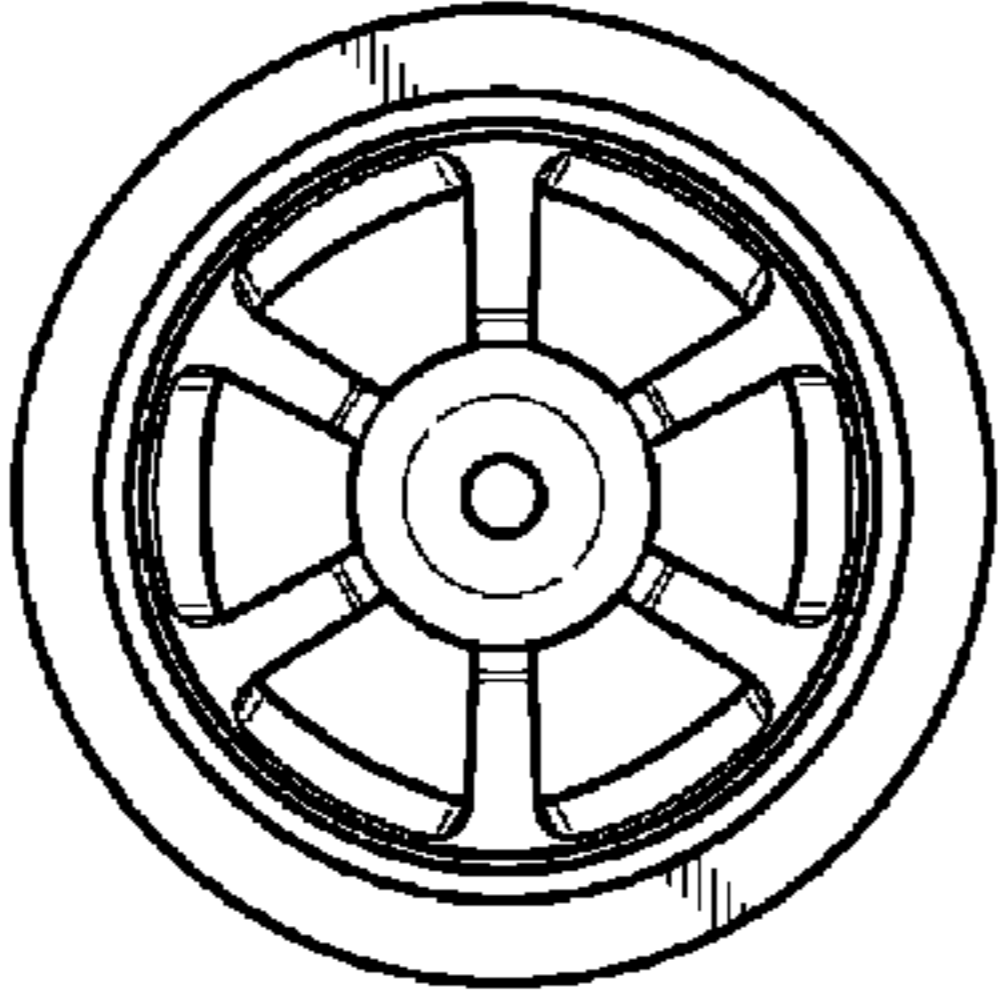


FIG. 3

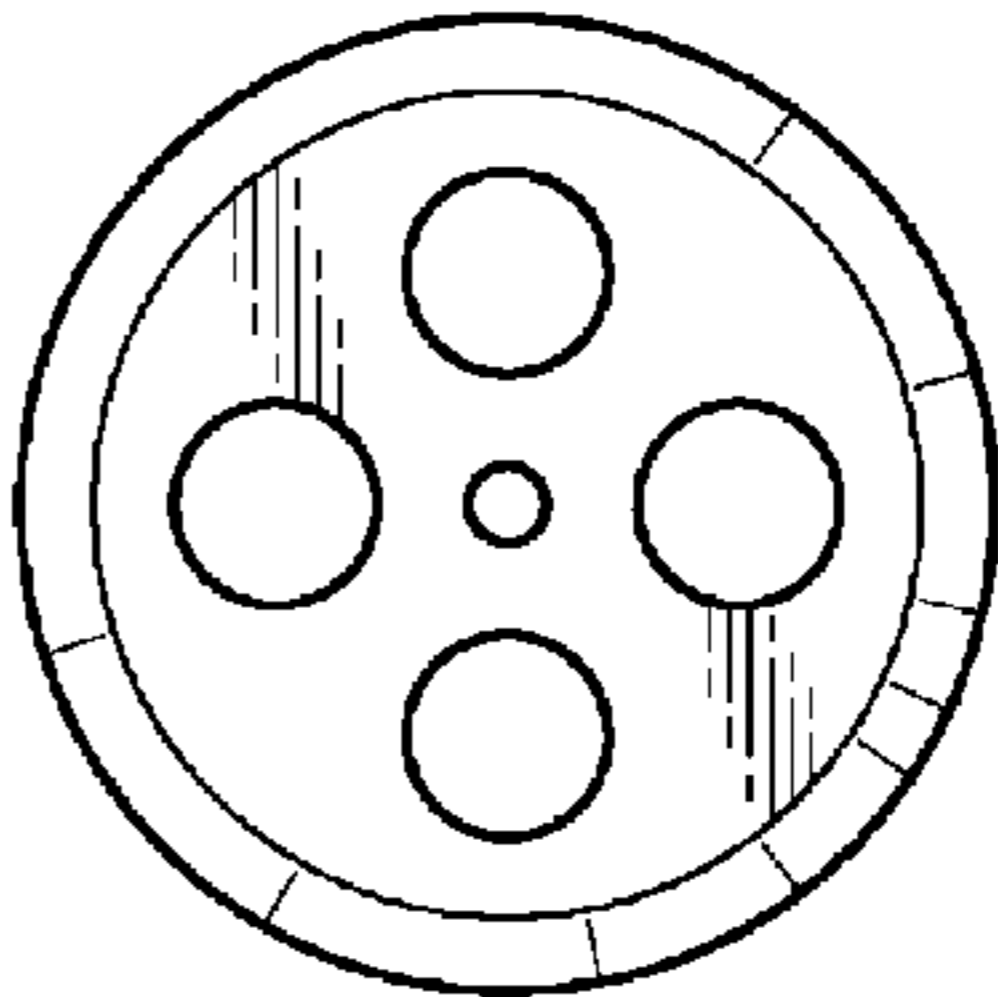


FIG. 4