



US00D638500S

(12) **United States Design Patent**
Scolari et al.

(10) **Patent No.:** **US D638,500 S**
(45) **Date of Patent:** **** May 24, 2011**

(54) **SCOOTER**

(75) Inventors: **Nathan Anthony Scolari**, Greenville, SC (US); **Daniel Robert Cabral**, Greenville, SC (US); **Geoffrey Michael Bergmark**, Hendersonville, NC (US); **Robert Wayne Lewis, Jr.**, Duncan, SC (US)

(73) Assignee: **Zike, LLC**, Greenville, SC (US)

(**) Term: **14 Years**

(21) Appl. No.: **29/375,159**

(22) Filed: **Sep. 17, 2010**

Related U.S. Application Data

(63) Continuation-in-part of application No. 29/366,938, filed on Aug. 2, 2010.

(51) **LOC (9) Cl.** **21-01**

(52) **U.S. Cl.** **D21/423**

(58) **Field of Classification Search** D21/419, D21/421, 423, 426-428, 435, 668-671, 760, D21/765, 771; D12/1, 8, 108, 112, 113; 280/8, 14.21, 14.25, 14.26, 87.041, 87.042, 280/200, 214, 220, 221, 239, 263, 288.1, 280/288.2, 288.4, 809; 180/180, 181
See application file for complete search history.

(56) **References Cited**

U.S. PATENT DOCUMENTS

D180,741	S	*	8/1957	Magoon	D12/113
D291,211	S	*	8/1987	Man	D21/423
5,368,321	A	*	11/1994	Berman et al.	280/221
D401,645	S	*	11/1998	Kuo	D21/668
D435,608	S	*	12/2000	Medeiros	D21/421
6,334,838	B1	*	1/2002	Lee	482/51

6,439,590	B1	*	8/2002	Liang	280/221
D495,374	S	*	8/2004	Chuang	D21/423
6,773,022	B2	*	8/2004	Janssen	280/221
D495,758	S	*	9/2004	Chuang	D21/423
D497,957	S	*	11/2004	Chuang	D21/423
D500,096	S	*	12/2004	Medeiros	D21/421
D521,576	S	*	5/2006	Hsiung	D21/668
D526,250	S	*	8/2006	Trumble et al.	D12/111
D535,710	S	*	1/2007	Hsiung	D21/668
D558,282	S	*	12/2007	Husted et al.	D21/668
D567,310	S	*	4/2008	Chen et al.	D21/668
D568,417	S	*	5/2008	Meguerditchian	D21/423
7,377,532	B2	*	5/2008	Bauce	280/221
D599,863	S	*	9/2009	Quijada	D21/668
7,717,446	B2	*	5/2010	Pate et al.	280/221
2004/0075230	A1	*	4/2004	Lin	280/87.041
2006/0119052	A1	*	6/2006	Bauce	280/8
2007/0024019	A1	*	2/2007	Tarlow et al.	280/221
2010/0001487	A1	*	1/2010	Pang	280/221

* cited by examiner

Primary Examiner — Cynthia M Chin

(74) *Attorney, Agent, or Firm* — David L. King

(57) **CLAIM**

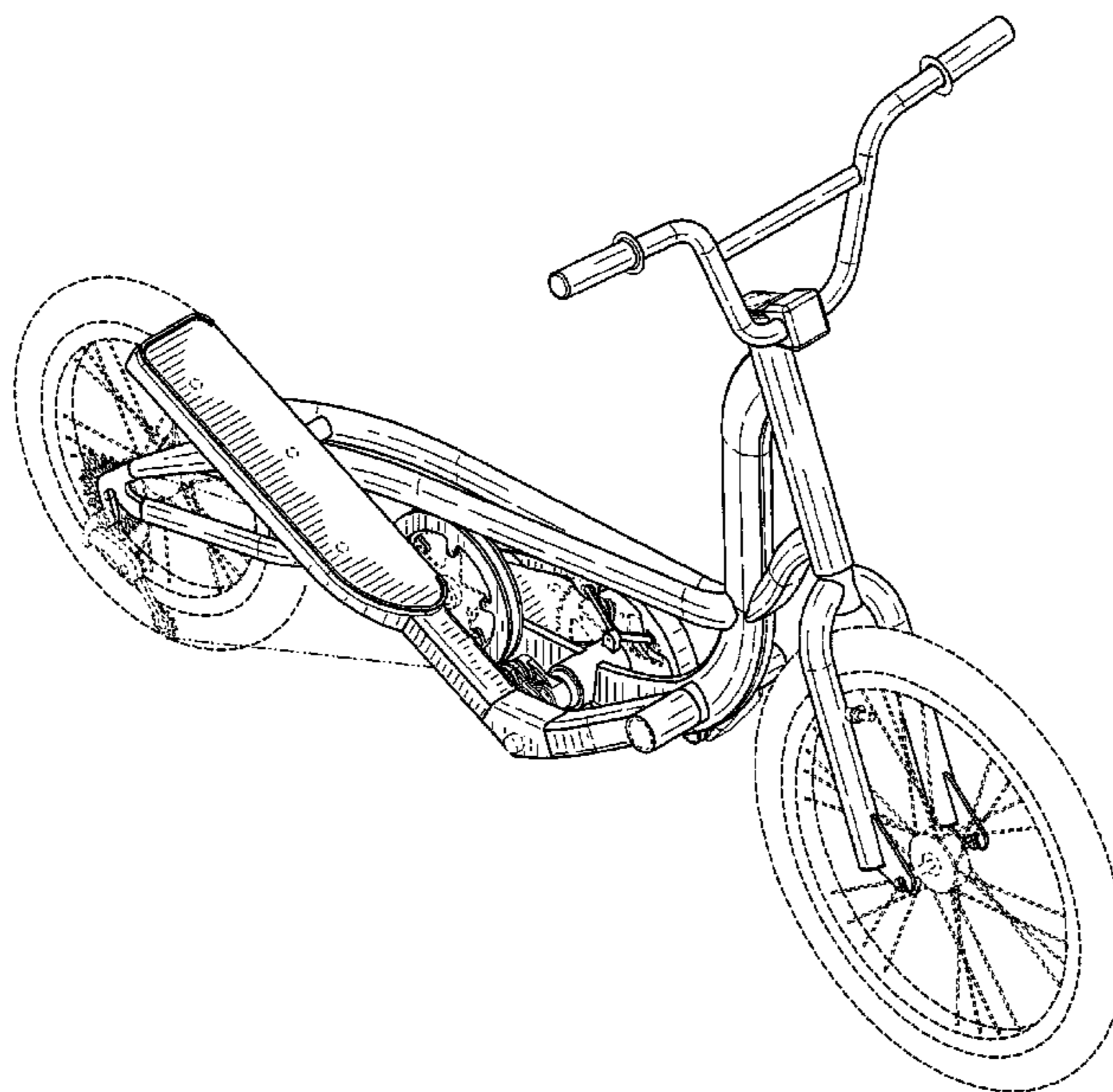
The ornamental design for a scooter, as shown and described.

DESCRIPTION

FIG. 1 is a perspective view of our new, original and ornamental design;
FIG. 2 is a rear view thereof;
FIG. 3 is a front view thereof;
FIG. 4 is a left side view thereof;
FIG. 5 is a right side view thereof;
FIG. 6 is a top view thereof; and,
FIG. 7 is a bottom view thereof.

The structures shown in phantom are included for the purpose of illustrating the unclaimed portions of the article and form no part of the claimed design.

1 Claim, 6 Drawing Sheets



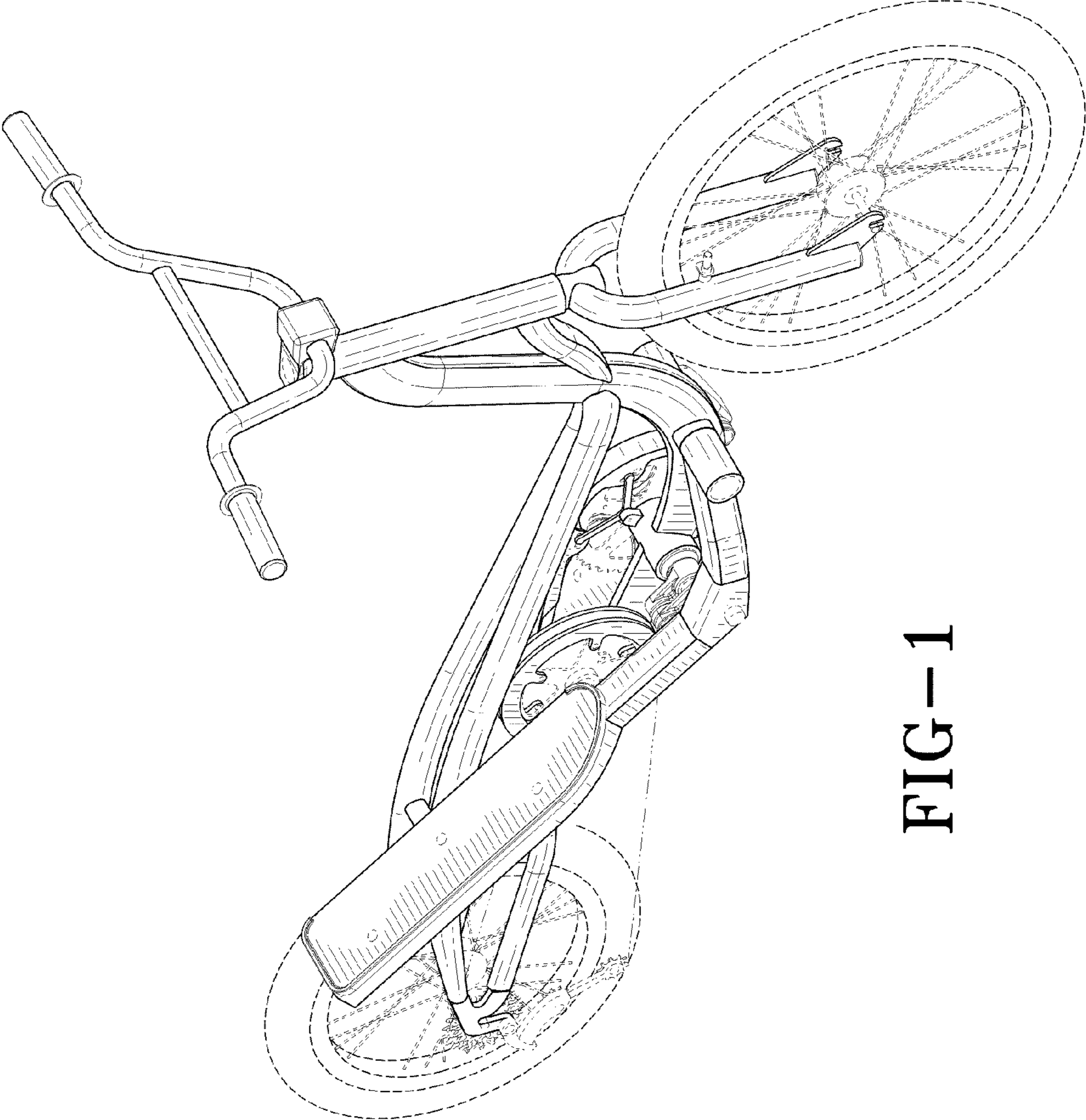


FIG-1

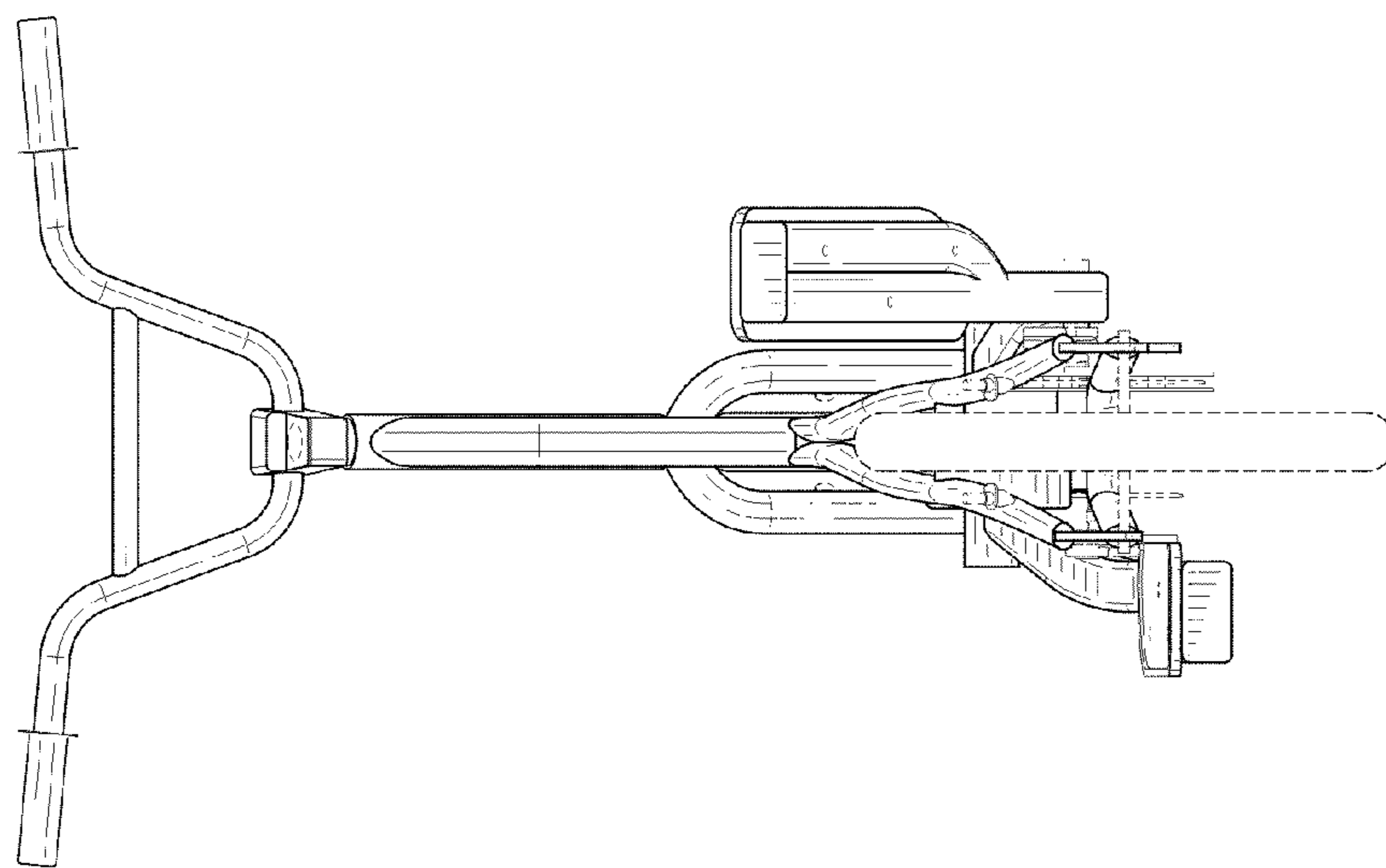


FIG-3

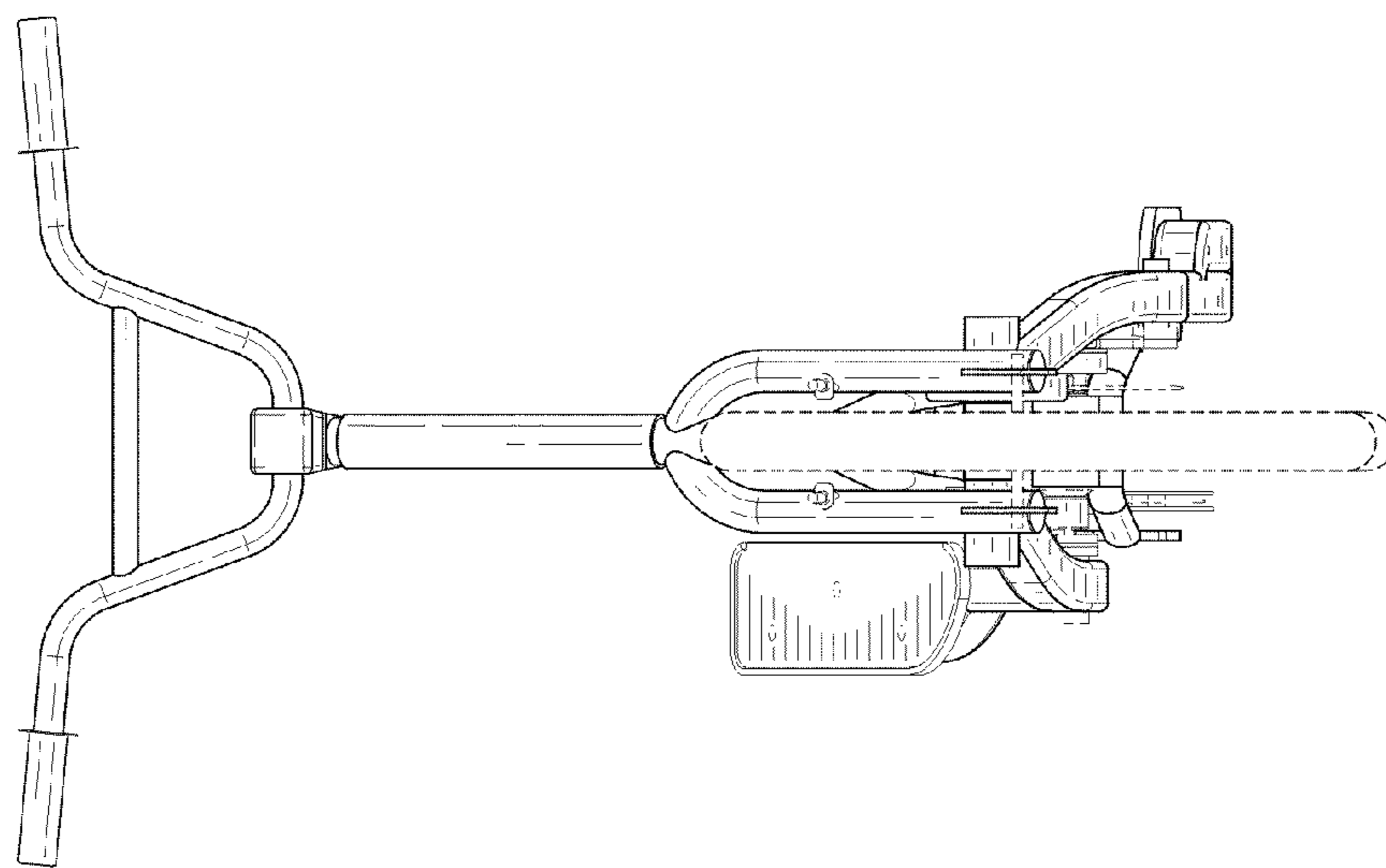


FIG-2

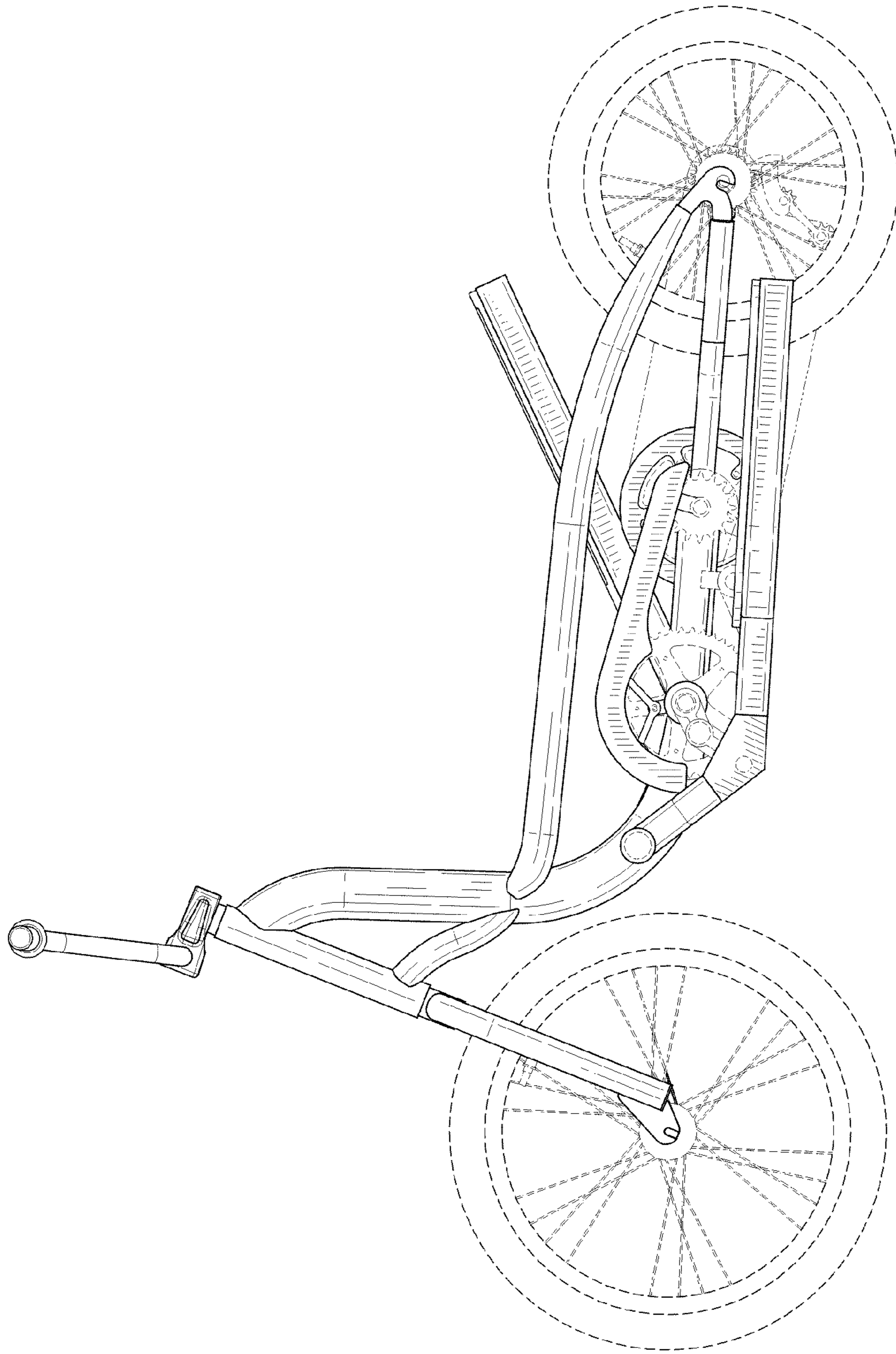


FIG-4

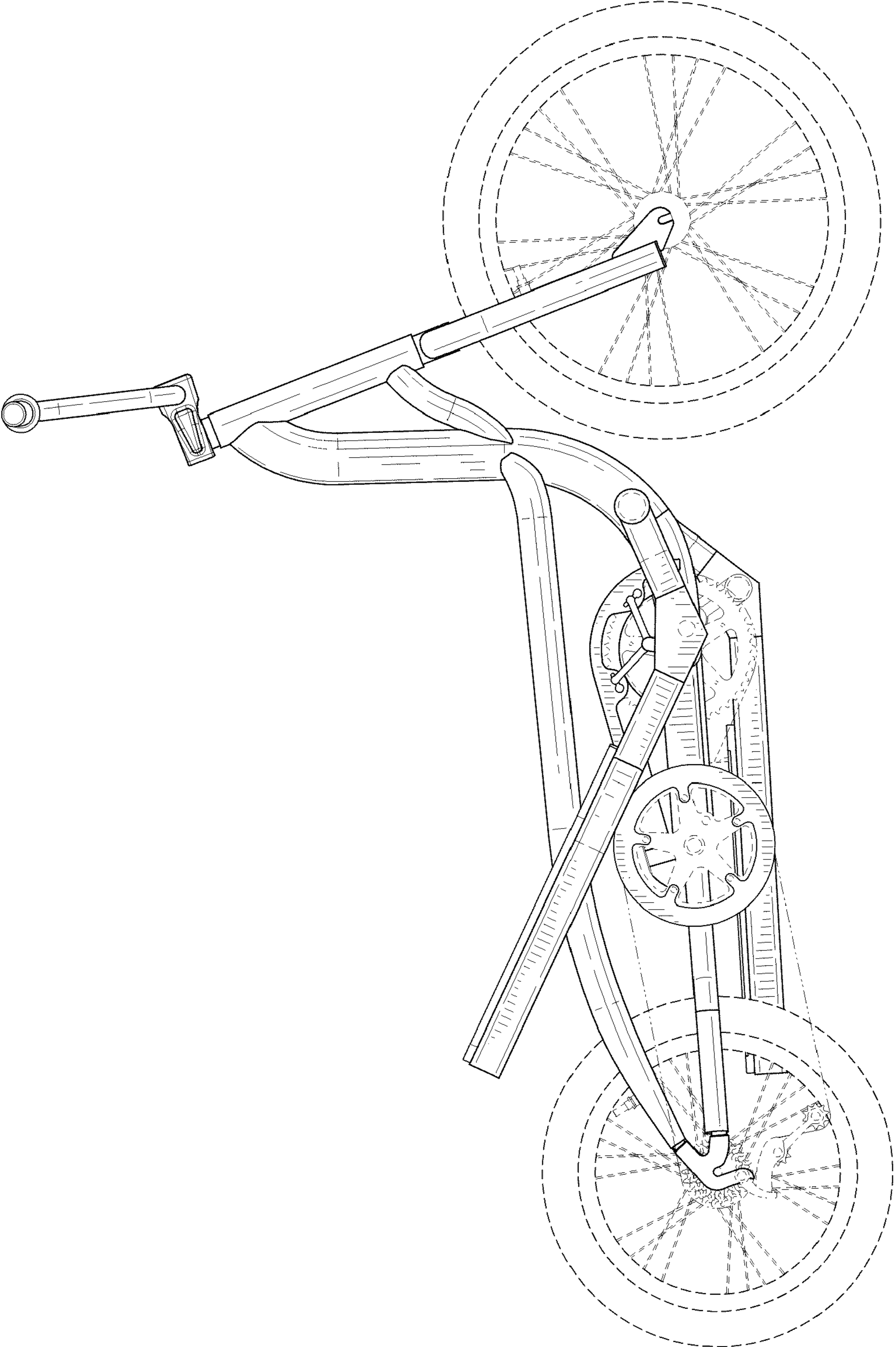


FIG-5

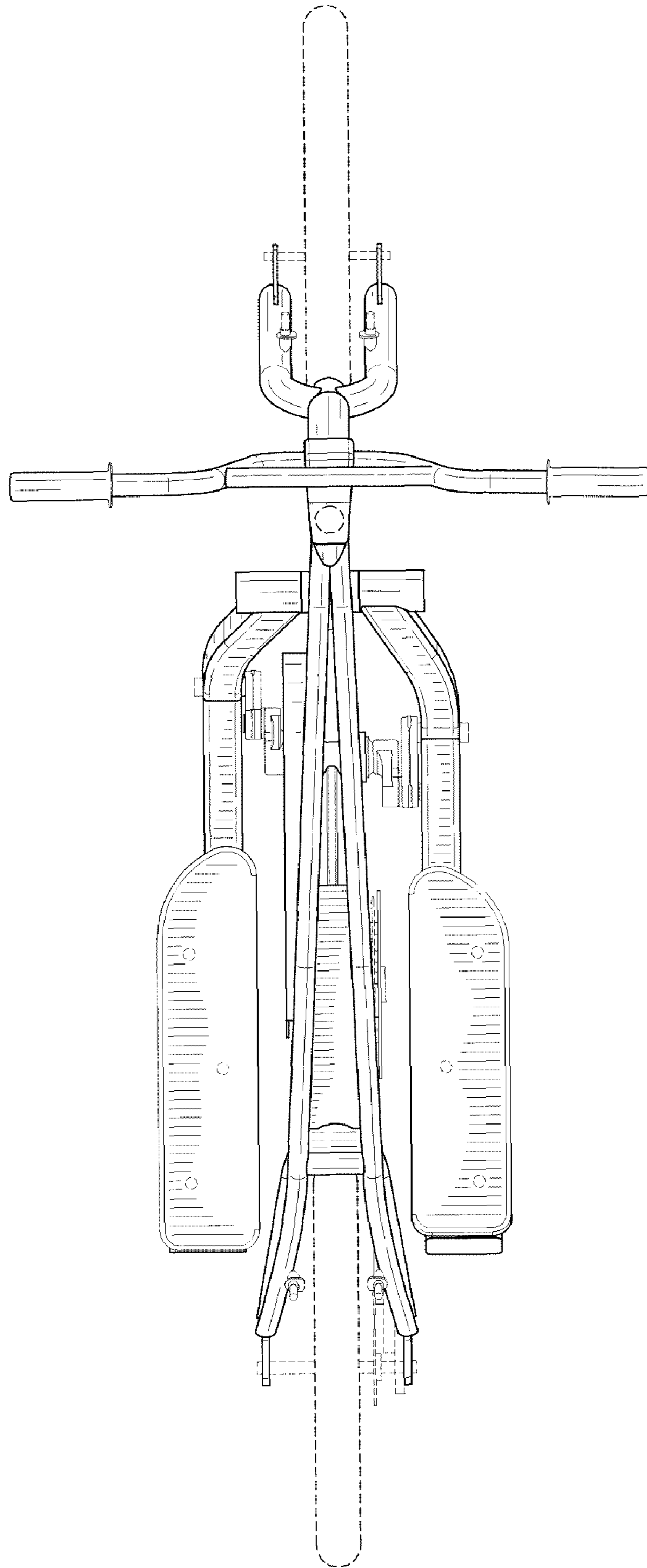


FIG-6

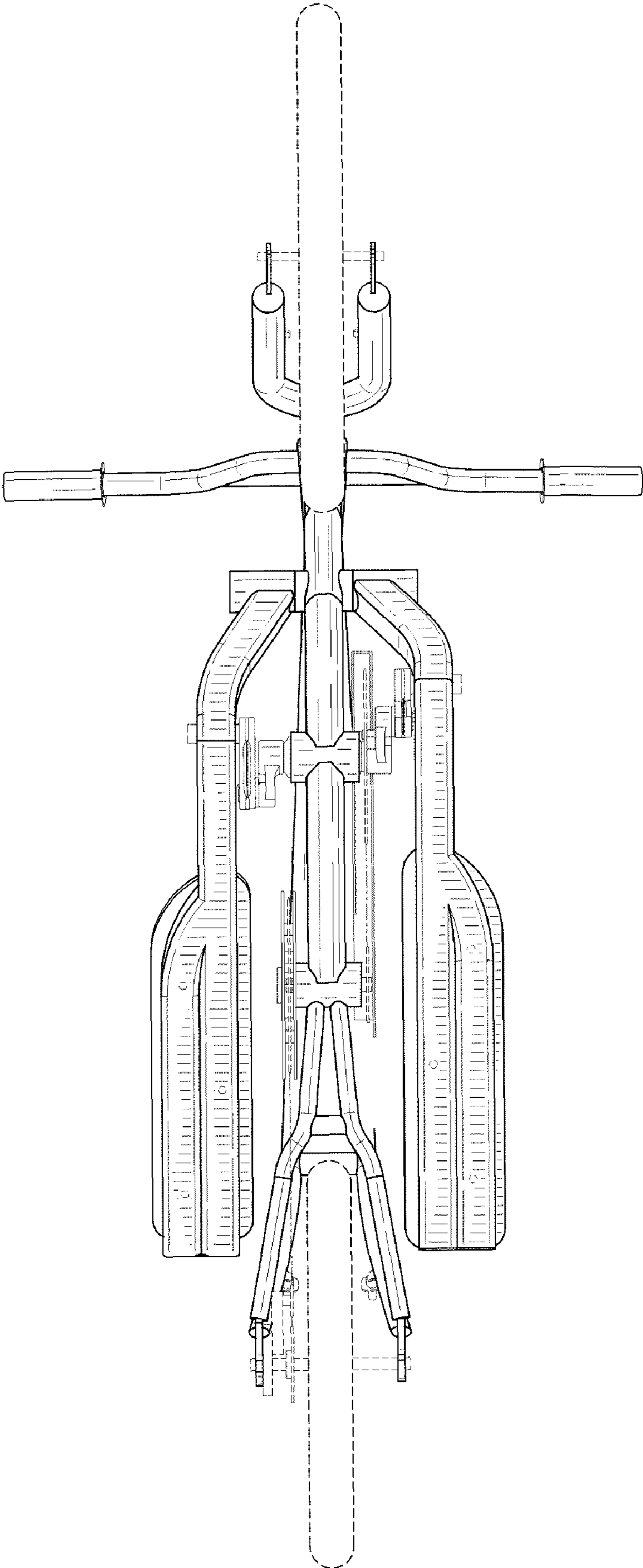


FIG-7