



US00D638499S

(12) **United States Design Patent**
Scolari et al.

(10) **Patent No.:** **US D638,499 S**

(45) **Date of Patent:** **** May 24, 2011**

(54) **SCOOTER**

(75) Inventors: **Nathan Anthony Scolari**, Greenville, SC (US); **Daniel Robert Cabral**, Greenville, SC (US); **Geoffrey Michael Bergmark**, Hendersonville, NC (US); **Robert Wayne Lewis, Jr.**, Duncan, SC (US)

(73) Assignee: **Zike, LLC**, Greenville, SC (US)

(**) Term: **14 Years**

(21) Appl. No.: **29/375,144**

(22) Filed: **Sep. 17, 2010**

Related U.S. Application Data

(63) Continuation-in-part of application No. 29/366,935, filed on Aug. 2, 2010.

(51) **LOC (9) Cl.** **21-01**

(52) **U.S. Cl.** **D21/423**

(58) **Field of Classification Search** D21/419, D21/421, 423, 426-428, 435, 668-671, 760, D21/765, 771; D12/1, 8, 108, 112, 113; 280/8, 14.21, 14.25, 14.26, 87.041, 87.042, 280/200, 214, 220, 221, 239, 263, 288.1, 280/288.2, 288.4, 809; 180/180, 181
See application file for complete search history.

(56) **References Cited**

U.S. PATENT DOCUMENTS

D180,741 S * 8/1957 Magoon D12/113
D291,211 S * 8/1987 Man D21/423
D401,645 S * 11/1998 Kuo D21/668

D435,608 S * 12/2000 Medeiros D21/421
6,334,838 B1 * 1/2002 Lee 280/221
D495,374 S * 8/2004 Chuang D21/423
D495,758 S * 9/2004 Chuang D21/423
D497,957 S * 11/2004 Chuang D21/423
D500,096 S * 12/2004 Medeiros D21/421
D521,576 S * 5/2006 Hsiung D21/668
D535,710 S * 1/2007 Hsiung D21/668
D558,282 S * 12/2007 Husted et al. D21/668
D567,310 S * 4/2008 Chen et al. D21/668
D568,417 S * 5/2008 Meguerditchian D21/423
7,377,532 B2 * 5/2008 Bauce 280/221
D599,863 S * 9/2009 Quijada D21/668
2004/0075230 A1 * 4/2004 Lin 280/87.041
2006/0119052 A1 * 6/2006 Bauce 280/8
2007/0024019 A1 * 2/2007 Tarlow et al. 280/221
2010/0001487 A1 * 1/2010 Pang 280/221

* cited by examiner

Primary Examiner — Cynthia M Chin

(74) *Attorney, Agent, or Firm* — David L. King

(57) **CLAIM**

The ornamental design for a scooter, as shown and described.

DESCRIPTION

FIG. 1 is a perspective view of our new, original and ornamental design;

FIG. 2 is a front view thereof;

FIG. 3 is a rear view thereof;

FIG. 4 is a left side view thereof;

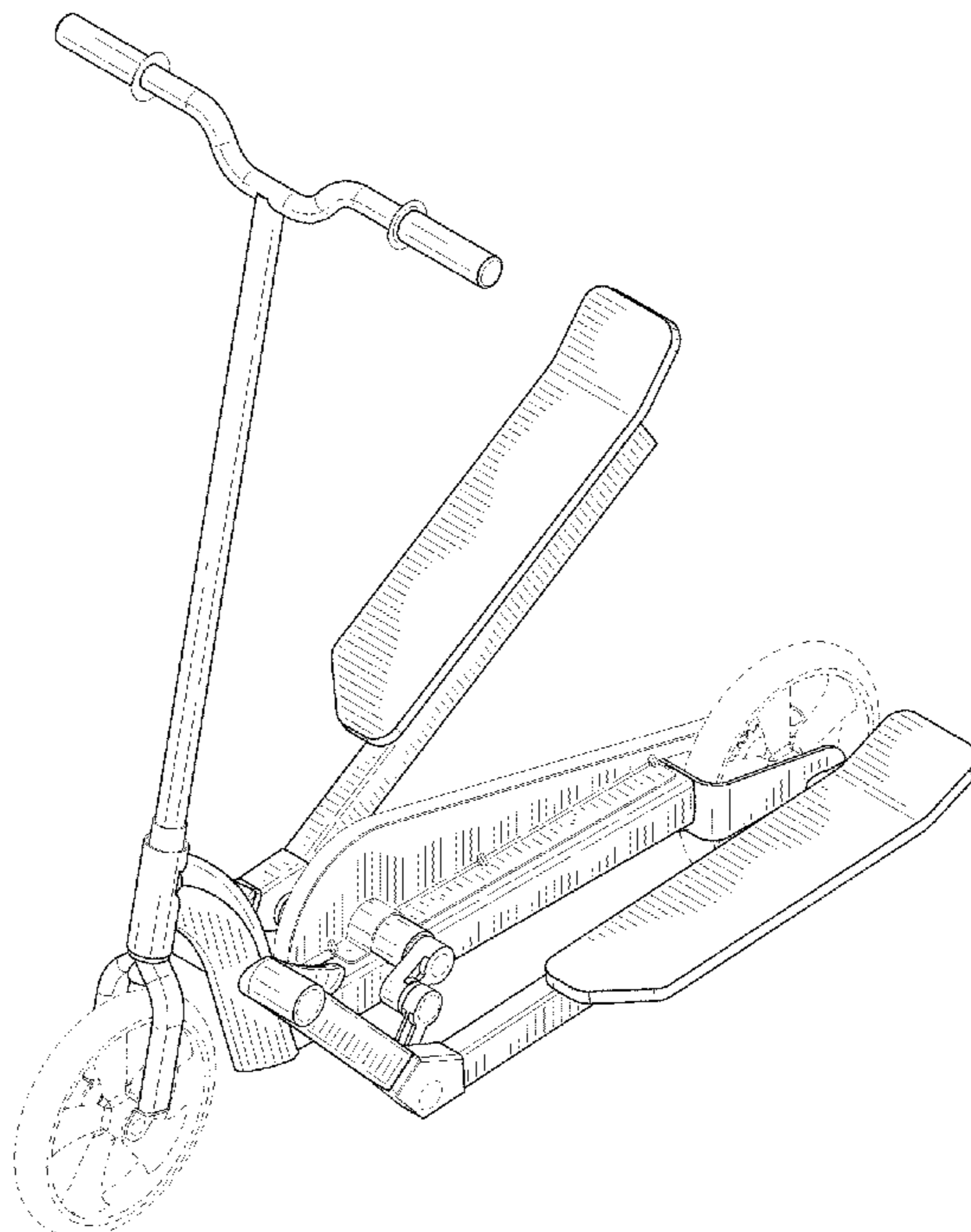
FIG. 5 is a right side view thereof;

FIG. 6 is a top view thereof; and,

FIG. 7 is a bottom view thereof.

The structures shown in phantom are included for the purpose of illustrating the unclaimed portions of the article and form no part of the claimed design.

1 Claim, 5 Drawing Sheets



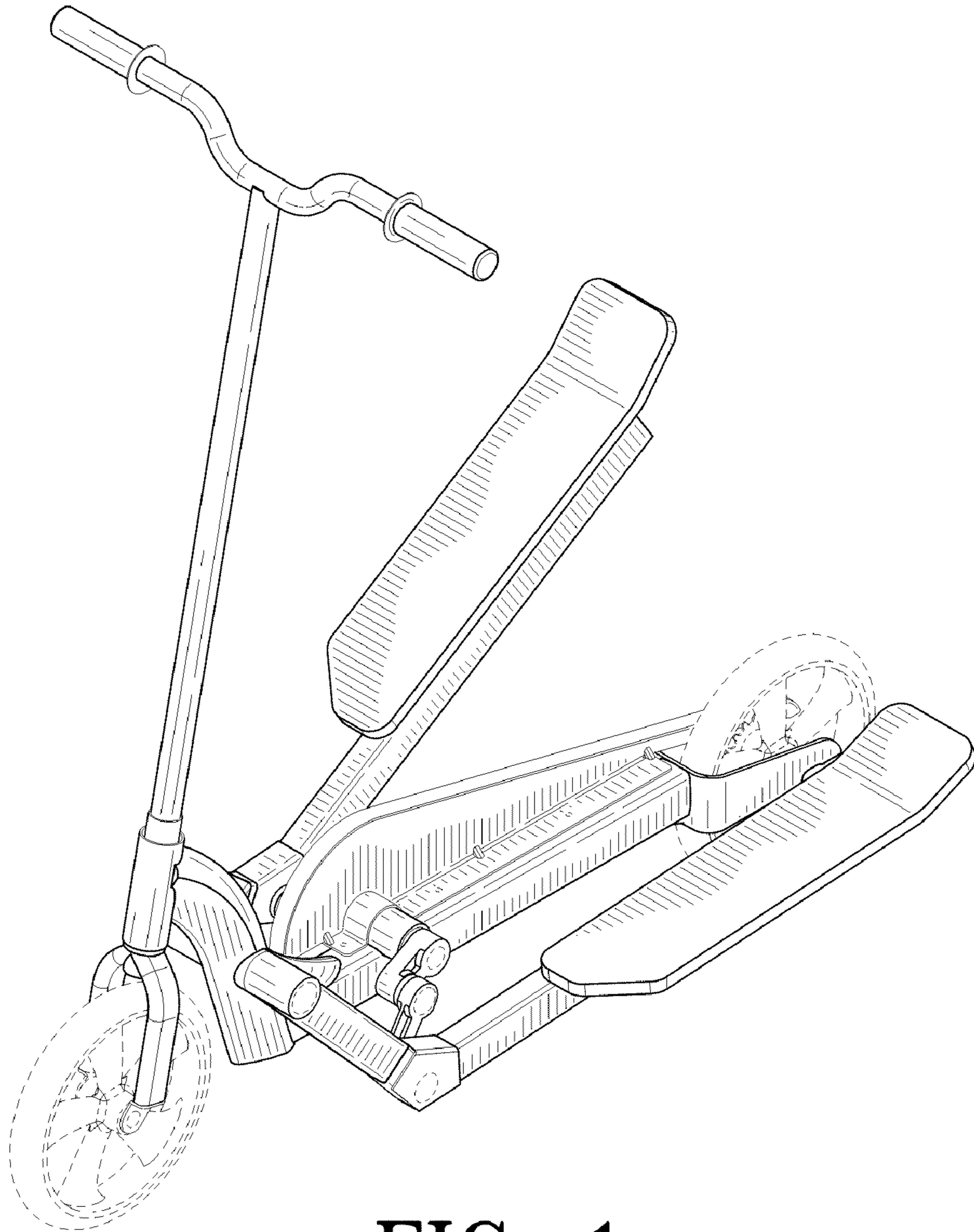


FIG-1

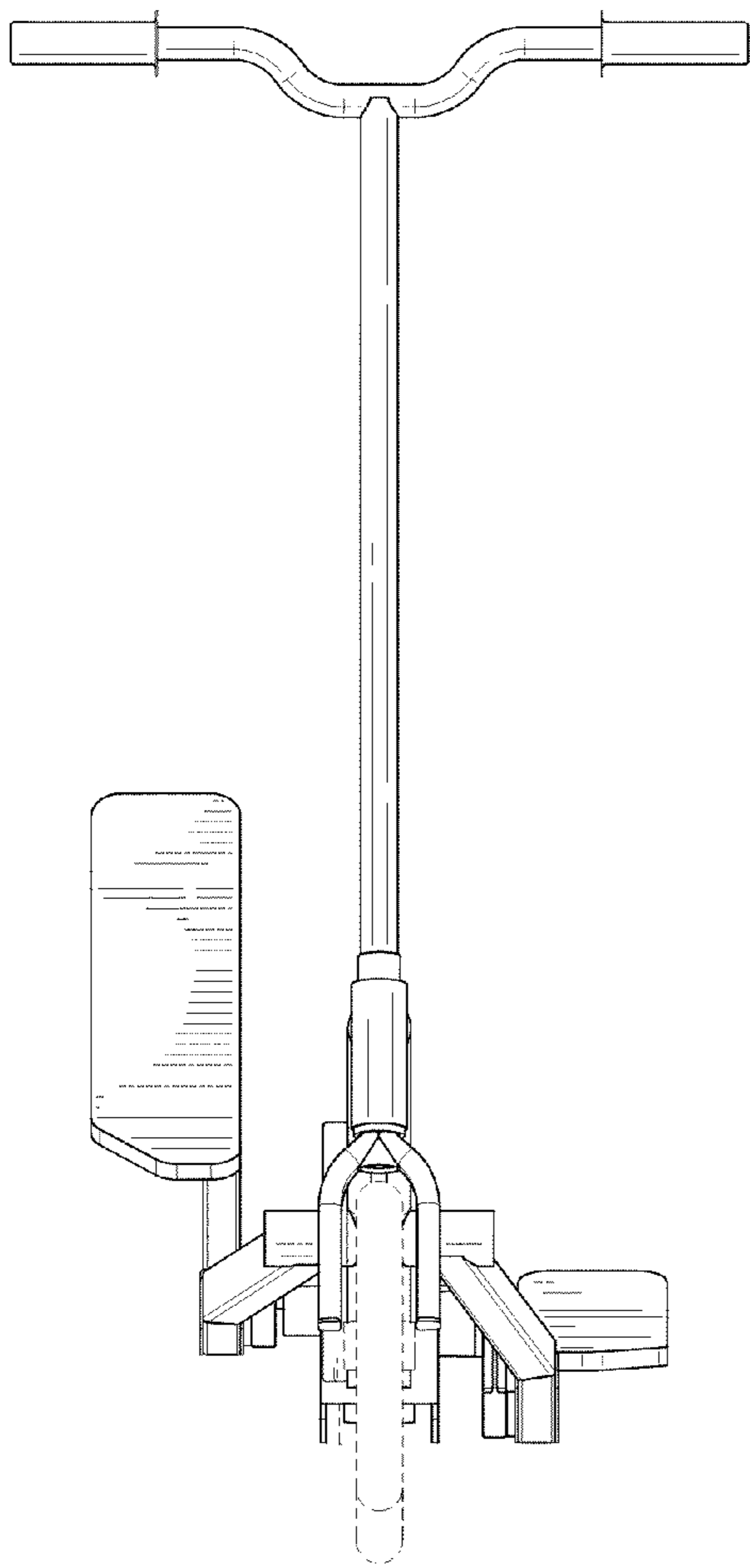


FIG-2

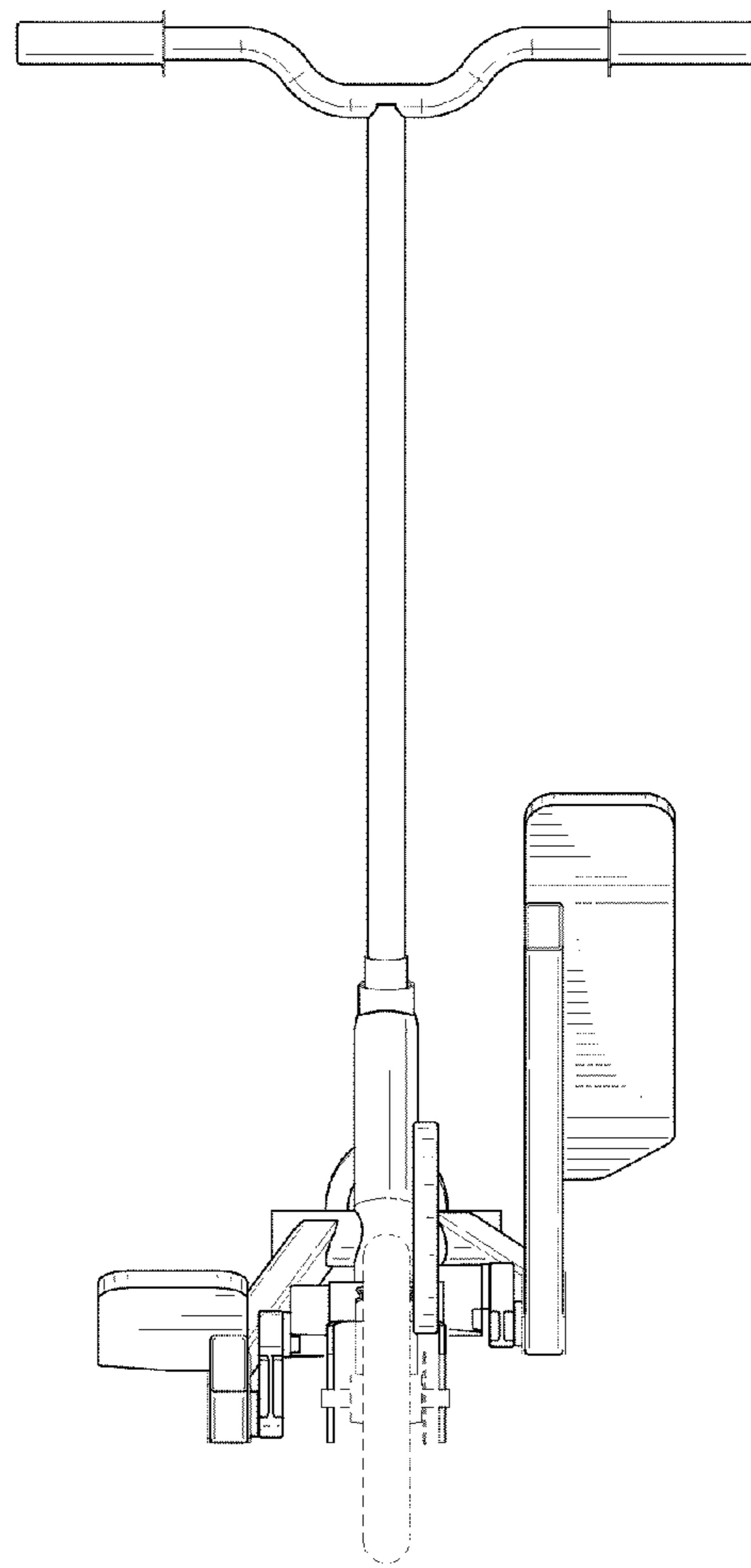


FIG-3



FIG-4

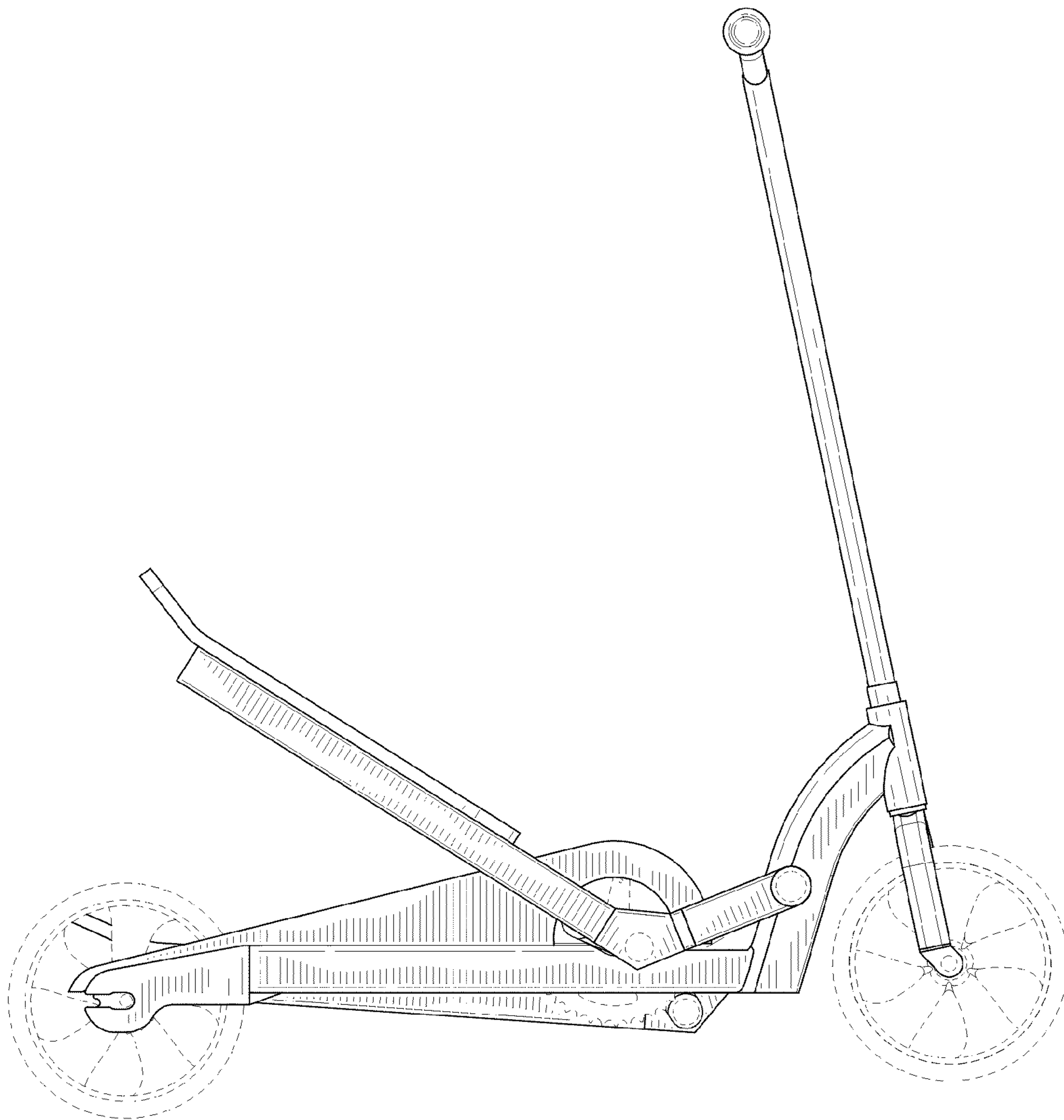


FIG-5

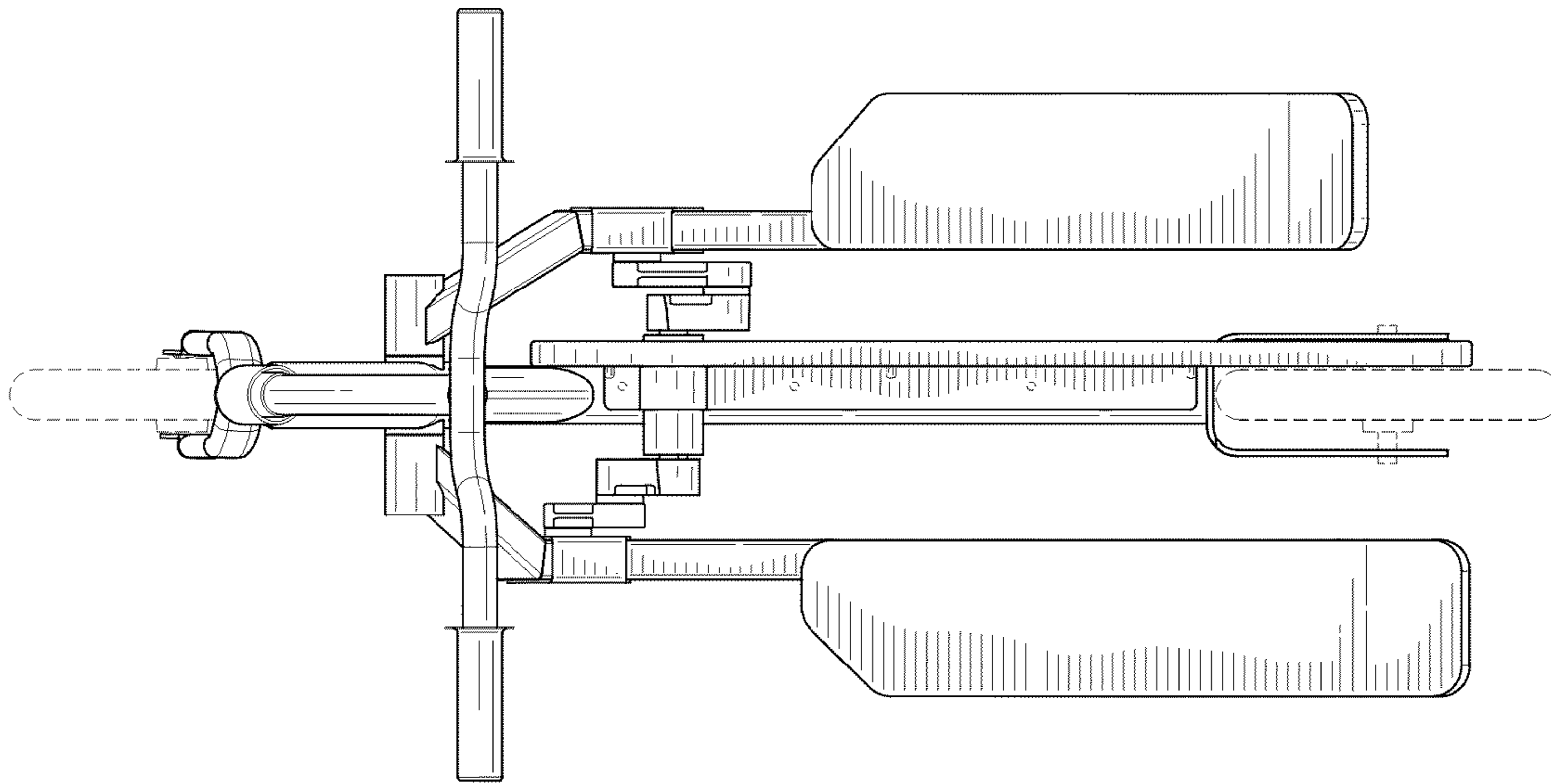


FIG-6

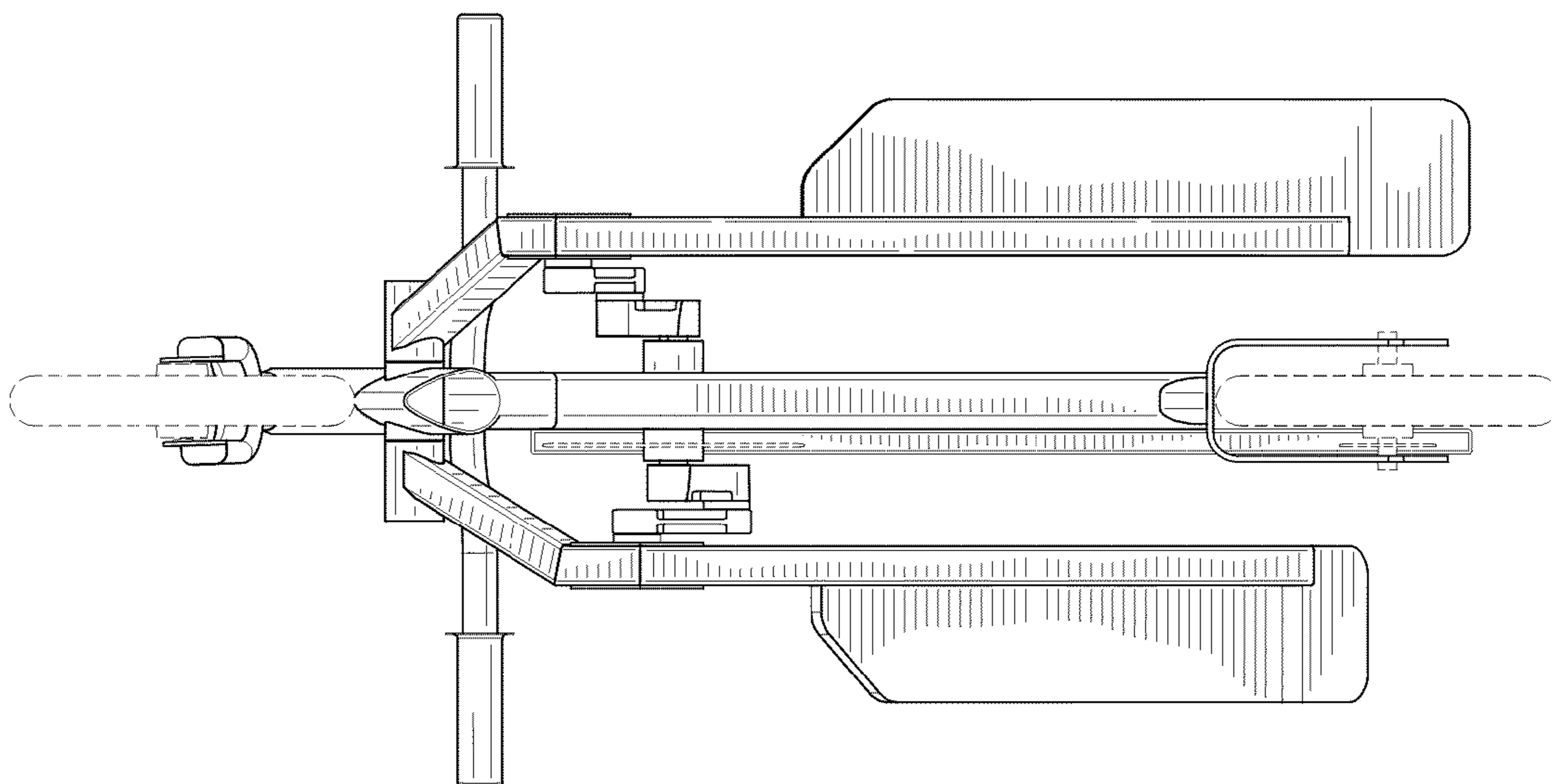


FIG-7