

US00D638498S

(12) **United States Design Patent**
Scolari et al.

(10) **Patent No.:** **US D638,498 S**

(45) **Date of Patent:** **** May 24, 2011**

(54) **SCOOTER**

(75) Inventors: **Nathan Anthony Scolari**, Greenville, SC (US); **Robert Wayne Lewis, Jr.**, Duncan, SC (US)

(73) Assignee: **Zike, LLC**, Greenville, SC (US)

(**) Term: **14 Years**

(21) Appl. No.: **29/367,647**

(22) Filed: **Aug. 11, 2010**

(51) **LOC (9) Cl.** **21-01**

(52) **U.S. Cl.** **D21/423**

(58) **Field of Classification Search** D21/419, D21/421, 423, 426-428, 435, 597, 760, 765, D21/771, 803; D12/1, 8, 108, 112, 113; 280/8, 14.21, 14.25, 14.26, 87.041, 87.042, 280/200, 214, 220, 221, 239, 263, 288.1, 280/288.2, 288.4, 809; 180/180, 181

See application file for complete search history.

(56) **References Cited**

U.S. PATENT DOCUMENTS

D55,636 S *	7/1920	Moore	D21/423
D180,741 S *	8/1957	Magoon	D12/113
D291,211 S *	8/1987	Man	D21/423
D337,622 S *	7/1993	Schiffman	D21/423
D435,608 S *	12/2000	Medeiros	D21/421
6,334,838 B1 *	1/2002	Lee	280/221

D495,374 S *	8/2004	Chuang	D21/423
D495,758 S *	9/2004	Chuang	D21/423
D497,957 S *	11/2004	Chuang	D21/423
D500,096 S *	12/2004	Medeiros	D21/421
D568,417 S *	5/2008	Meguerditchian	D21/423
7,377,532 B2 *	5/2008	Bauce	280/221
D580,500 S *	11/2008	Hong	D21/423
2004/0075230 A1 *	4/2004	Lin	280/87.041
2006/0119052 A1 *	6/2006	Bauce	280/8
2007/0024019 A1 *	2/2007	Tarlow et al.	280/221
2010/0001487 A1 *	1/2010	Pang	280/221

* cited by examiner

Primary Examiner — Cynthia M Chin

(74) *Attorney, Agent, or Firm* — David L. King

(57) **CLAIM**

The ornamental design for a scooter, as shown and described.

DESCRIPTION

FIG. 1 is a perspective view of our new, original and ornamental design;

FIG. 2 is a front view thereof;

FIG. 3 is a rear view thereof;

FIG. 4 is a right side view thereof;

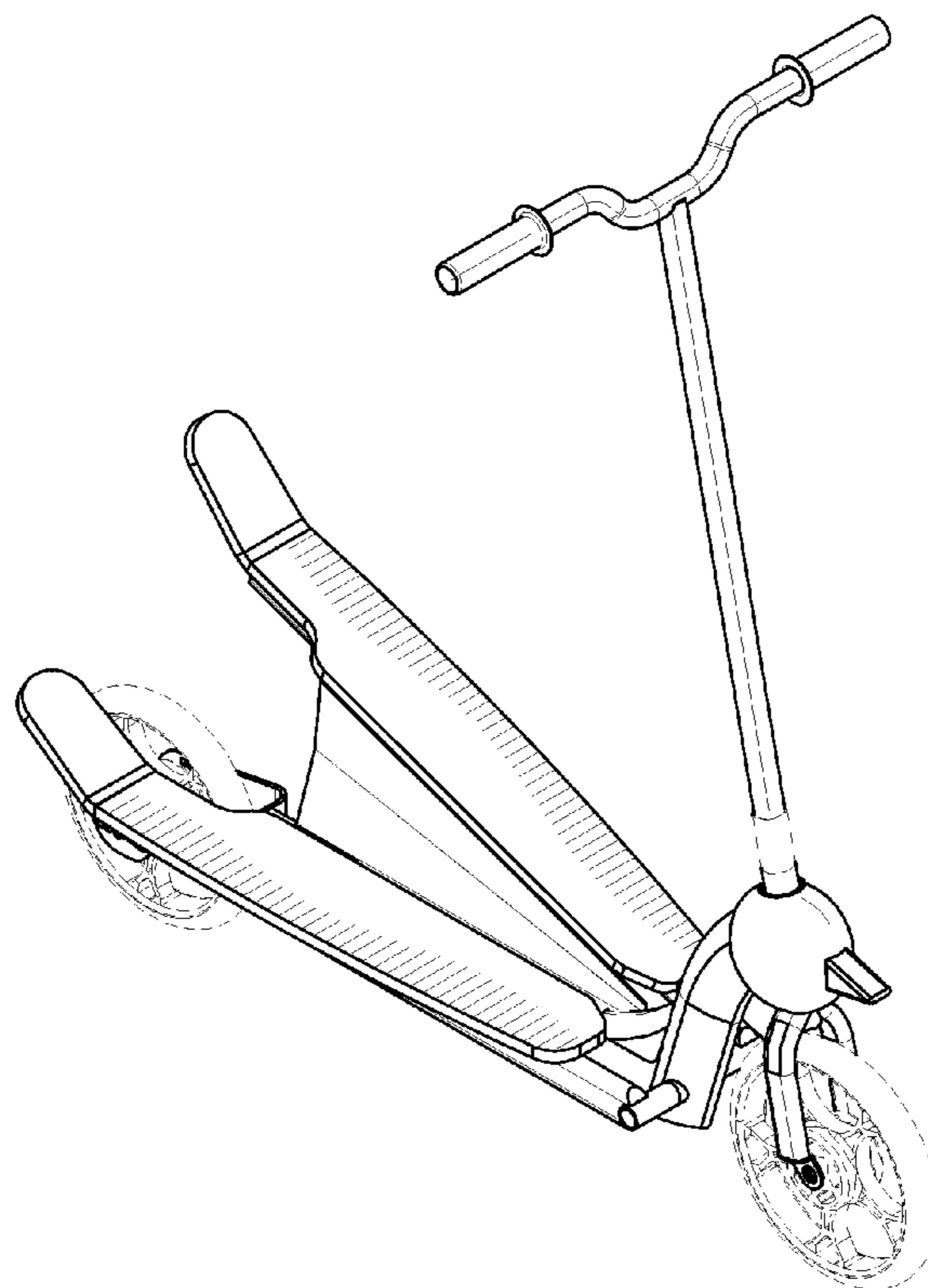
FIG. 5 is a left side view thereof;

FIG. 6 is a top view thereof; and,

FIG. 7 is a bottom view thereof.

The broken lines shown are included for the purpose of illustrating the unclaimed portions of the article and form no part of the claimed design.

1 Claim, 6 Drawing Sheets



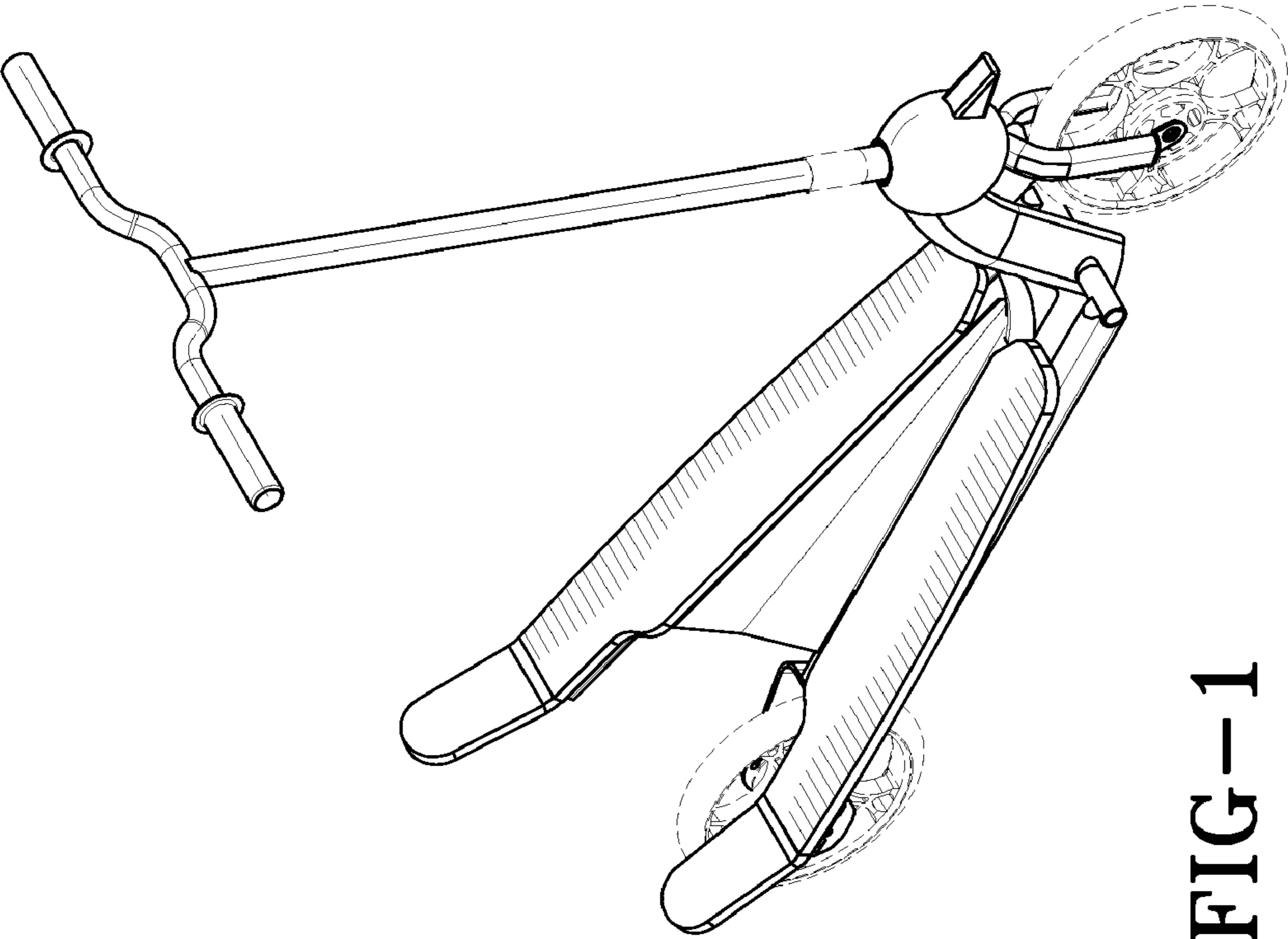


FIG-1

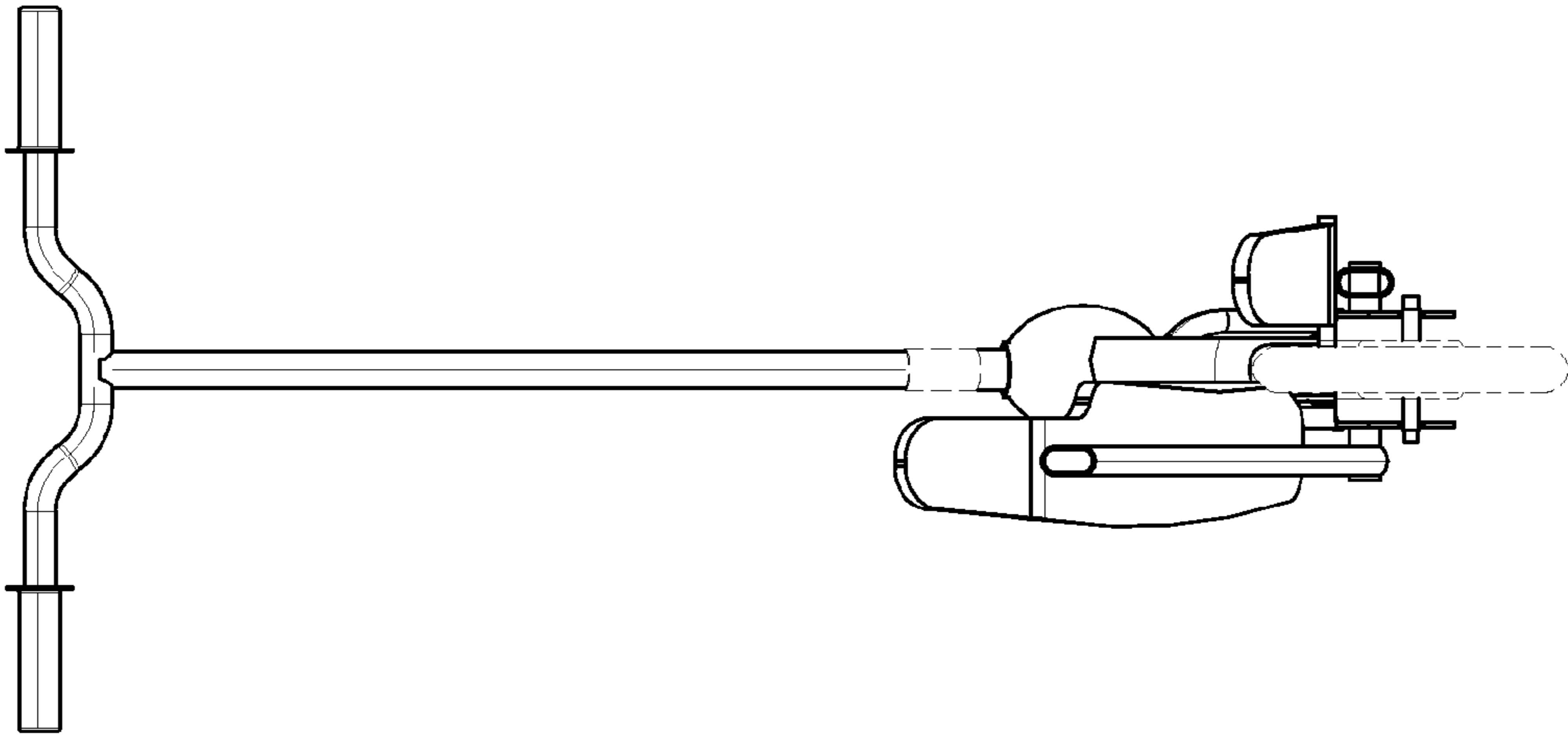


FIG-3

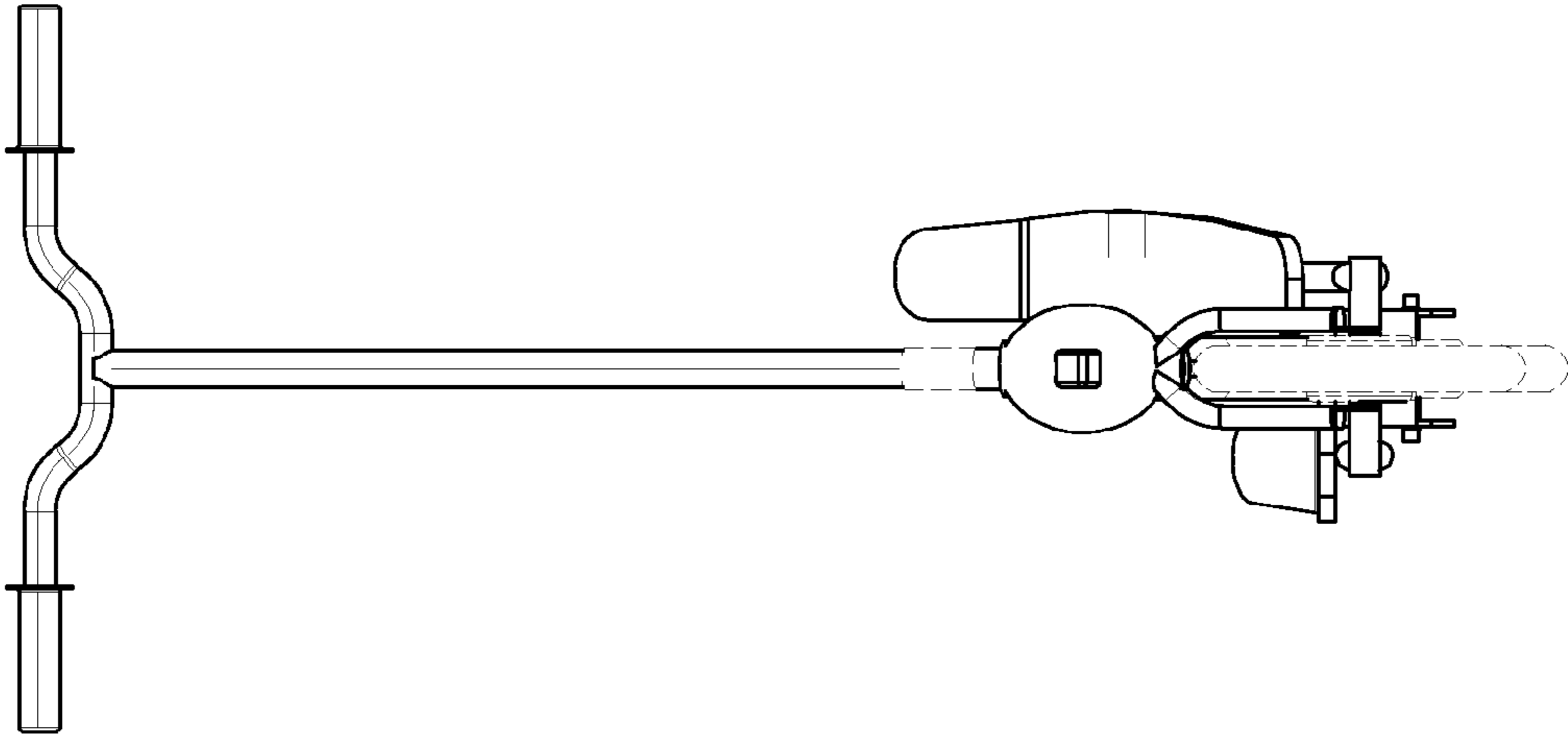


FIG-2

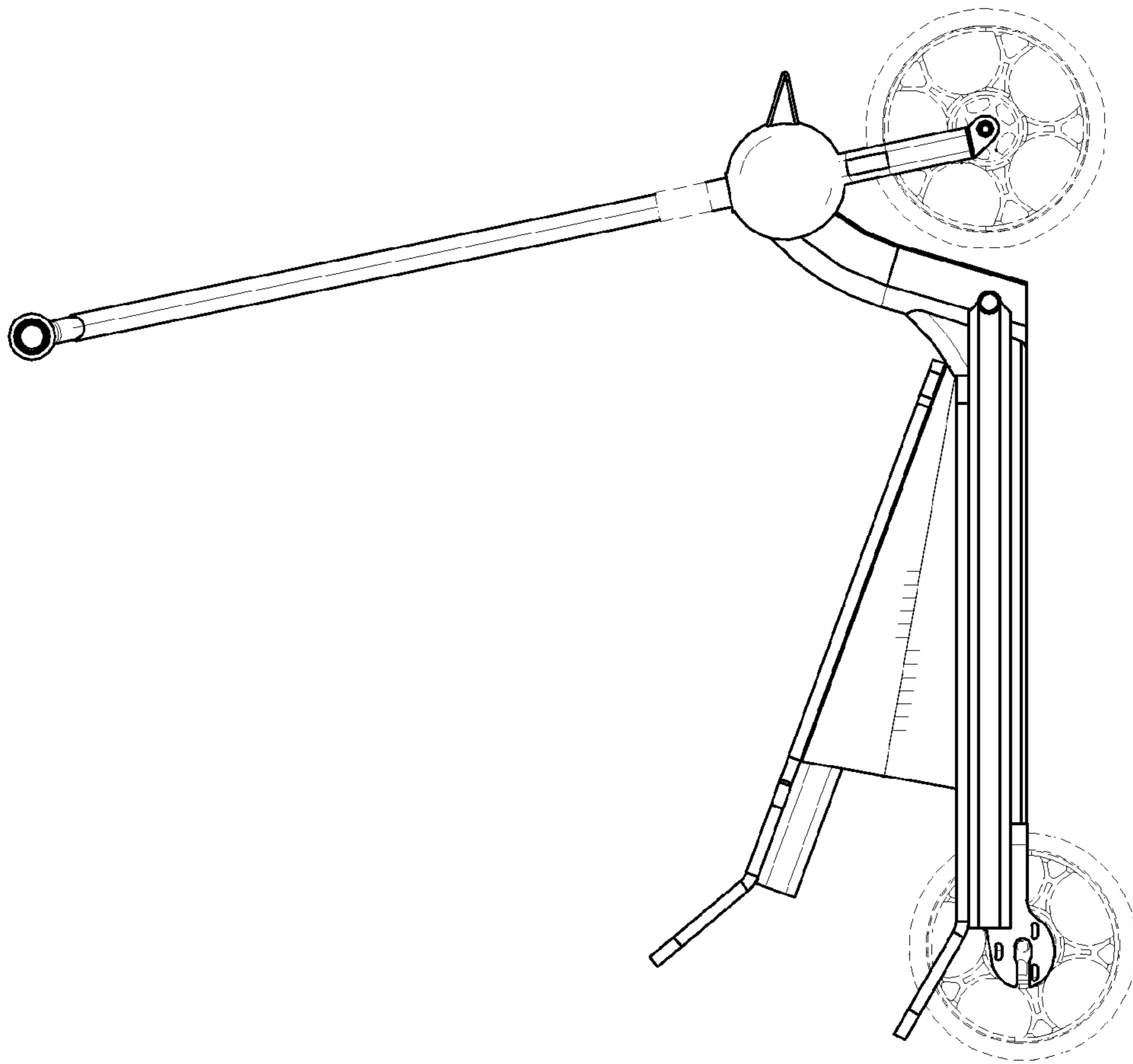


FIG-4

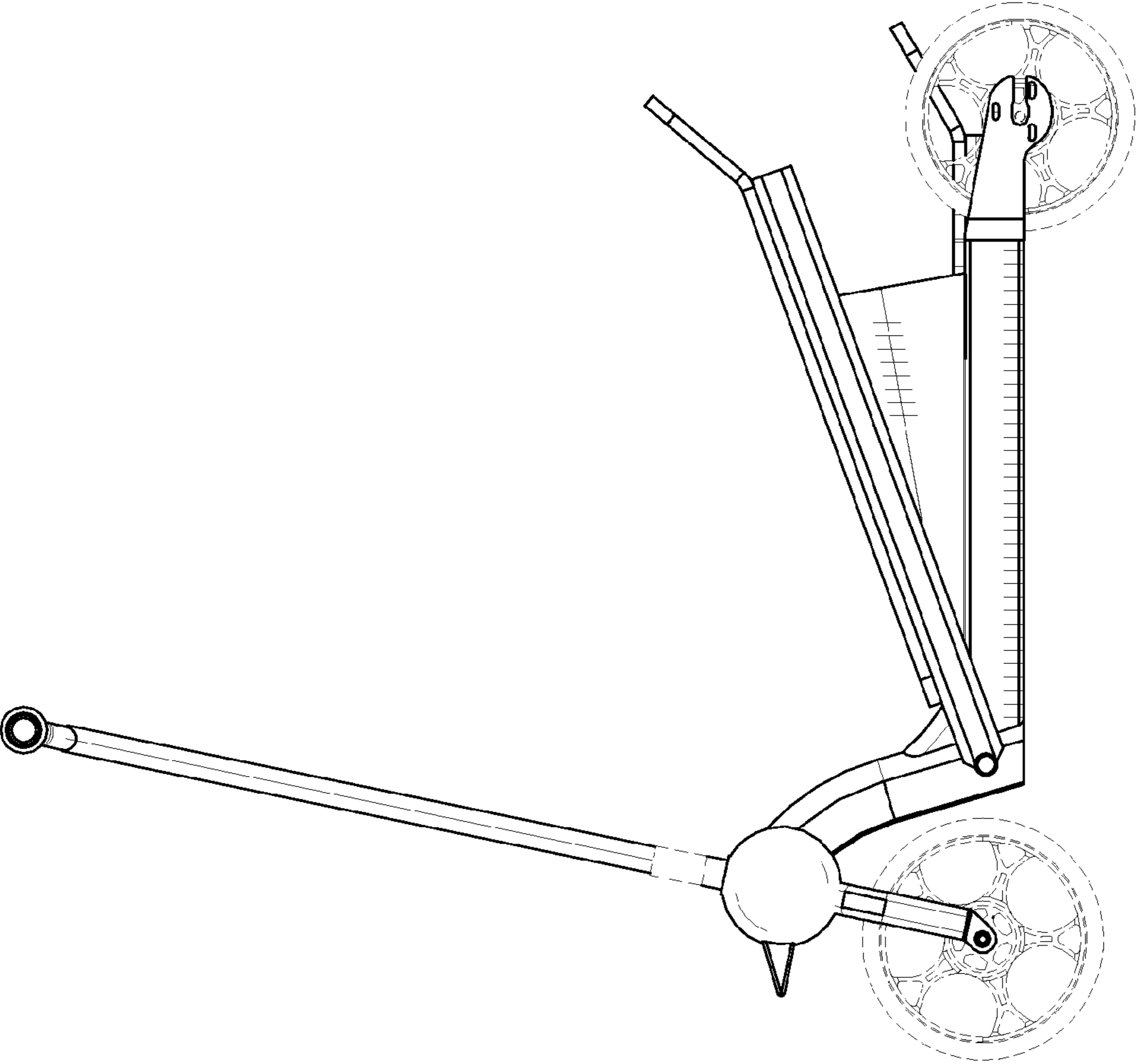


FIG-5

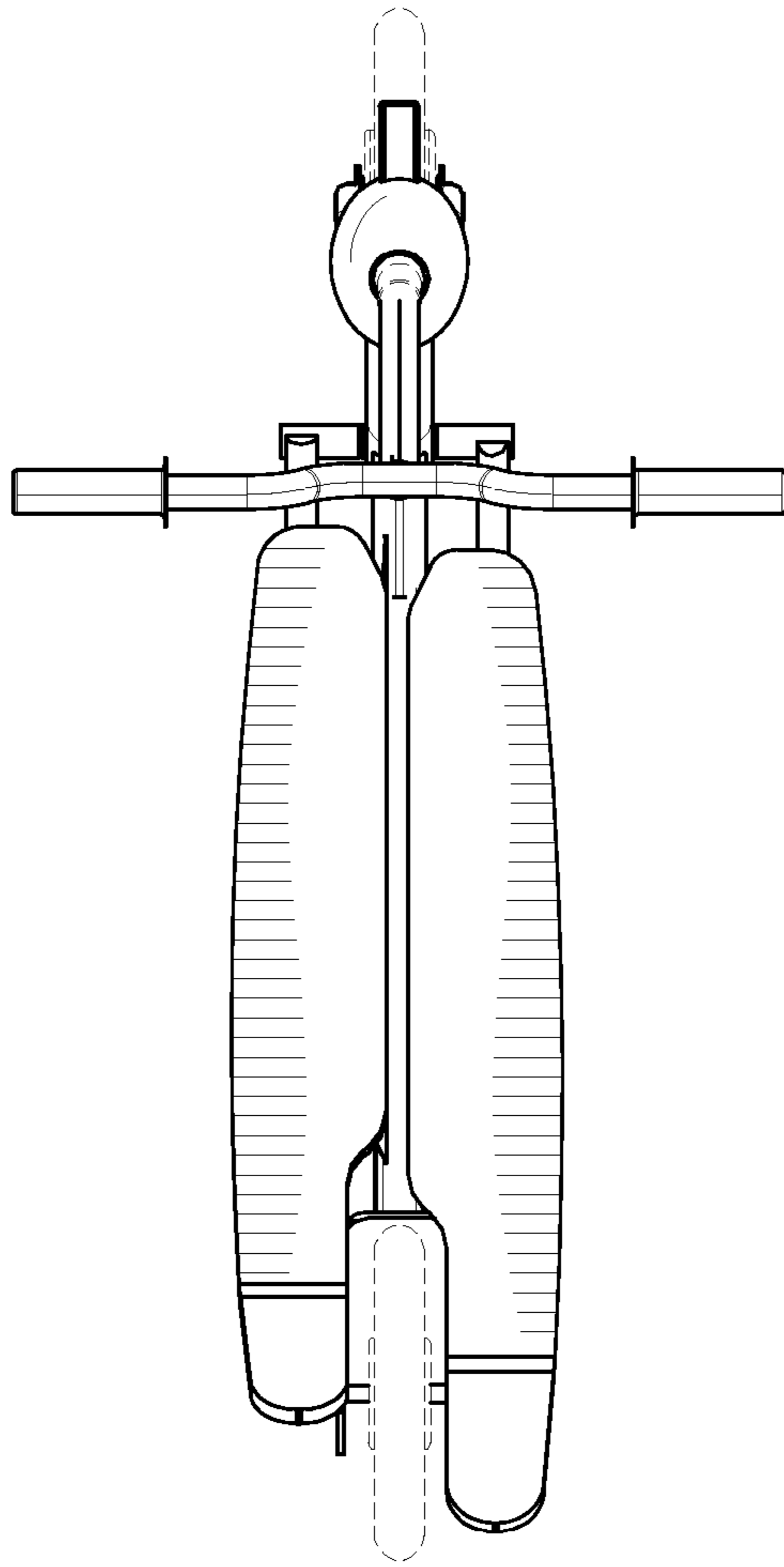


FIG-6

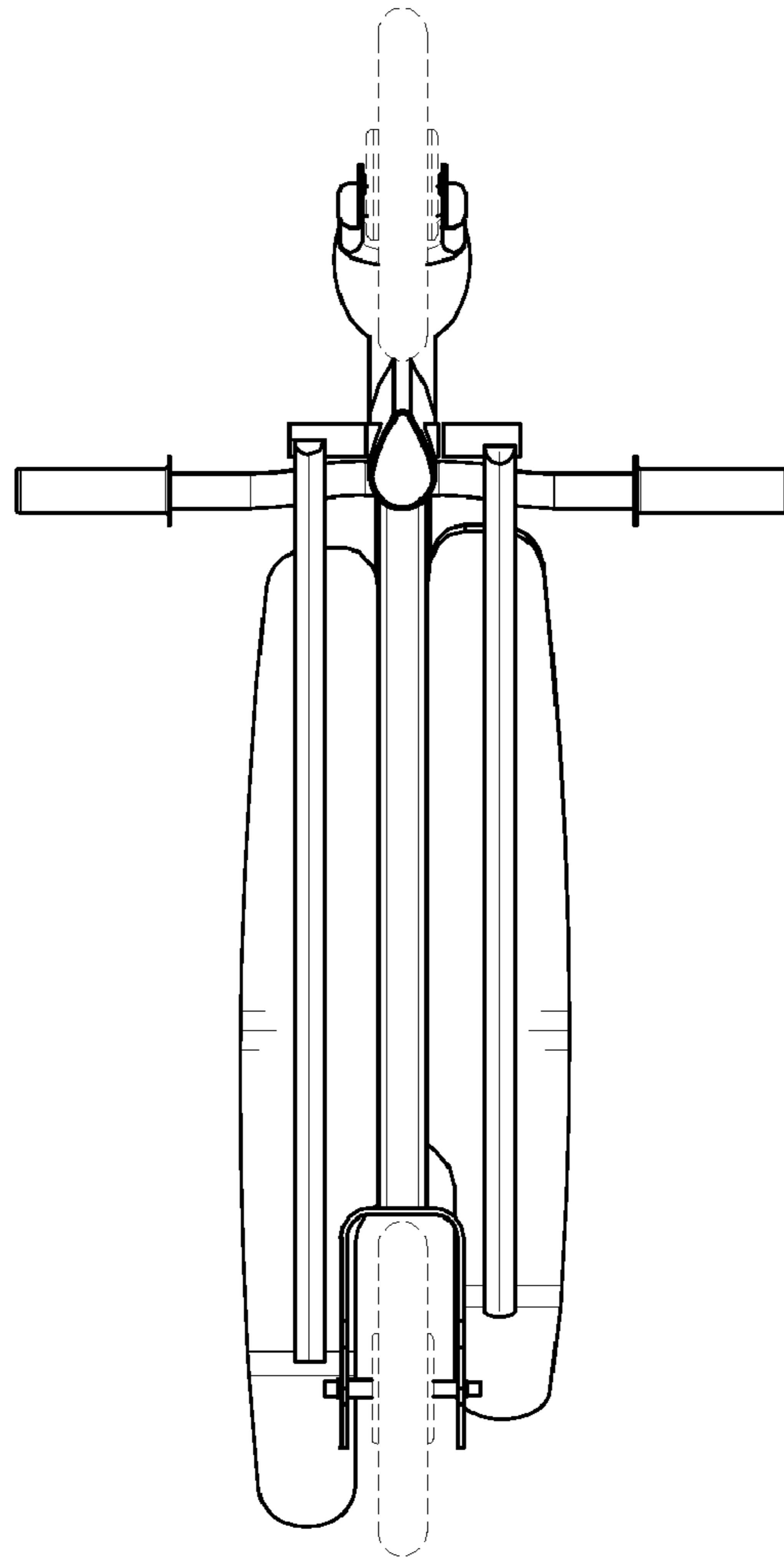


FIG-7