



US00D638496S

(12) **United States Design Patent**  
**Scolari et al.**

(10) **Patent No.:** **US D638,496 S**

(45) **Date of Patent:** **\*\* May 24, 2011**

(54) **SCOOTER**

(75) Inventors: **Nathan Anthony Scolari**, Greenville, SC (US); **Robert Wayne Lewis, Jr.**, Duncan, SC (US)

(73) Assignee: **Zike, LLC**, Greenville, SC (US)

(\*\*) Term: **14 Years**

(21) Appl. No.: **29/367,432**

(22) Filed: **Aug. 6, 2010**

(51) **LOC (9) Cl.** ..... **21-01**

(52) **U.S. Cl.** ..... **D21/423**

(58) **Field of Classification Search** ..... D21/419,  
D21/421, 423, 426-428, 435, 597, 760, 765,  
D21/771, 803, 806; D12/1, 8, 108, 112,  
D12/113; 280/8, 14.21, 14.25, 14.26, 87.041,  
280/87.042, 200, 214, 220, 221, 239, 263,  
280/288.1, 288.2, 288.4, 809; 180/180, 181;  
D6/591

See application file for complete search history.

(56) **References Cited**

U.S. PATENT DOCUMENTS

D210,087 S \* 2/1968 Higgins ..... D21/423  
D286,905 S \* 11/1986 Korneski ..... D21/806  
D377,073 S \* 12/1996 Chang ..... D21/806

D415,544 S \* 10/1999 Applegate ..... D21/806  
D421,282 S \* 2/2000 Orr ..... D21/765  
D459,761 S \* 7/2002 Chen ..... D21/423  
D471,597 S \* 3/2003 Chen ..... D21/423  
D479,734 S \* 9/2003 Schaffer et al. .... D21/423  
D517,630 S \* 3/2006 Wickstrom ..... D21/769  
D557,751 S \* 12/2007 On ..... D21/423  
D564,037 S \* 3/2008 Cramer et al. .... D21/423  
D579,987 S \* 11/2008 Hong ..... D21/423  
D603,463 S \* 11/2009 Jessie, Jr. .... D21/423

\* cited by examiner

*Primary Examiner* — Cynthia M Chin

(74) *Attorney, Agent, or Firm* — David L. King

(57) **CLAIM**

The ornamental design for a scooter, as shown and described.

**DESCRIPTION**

FIG. 1 is a perspective view of our new, original and ornamental design;

FIG. 2 is a front view thereof;

FIG. 3 is a rear view thereof;

FIG. 4 is a right side view thereof;

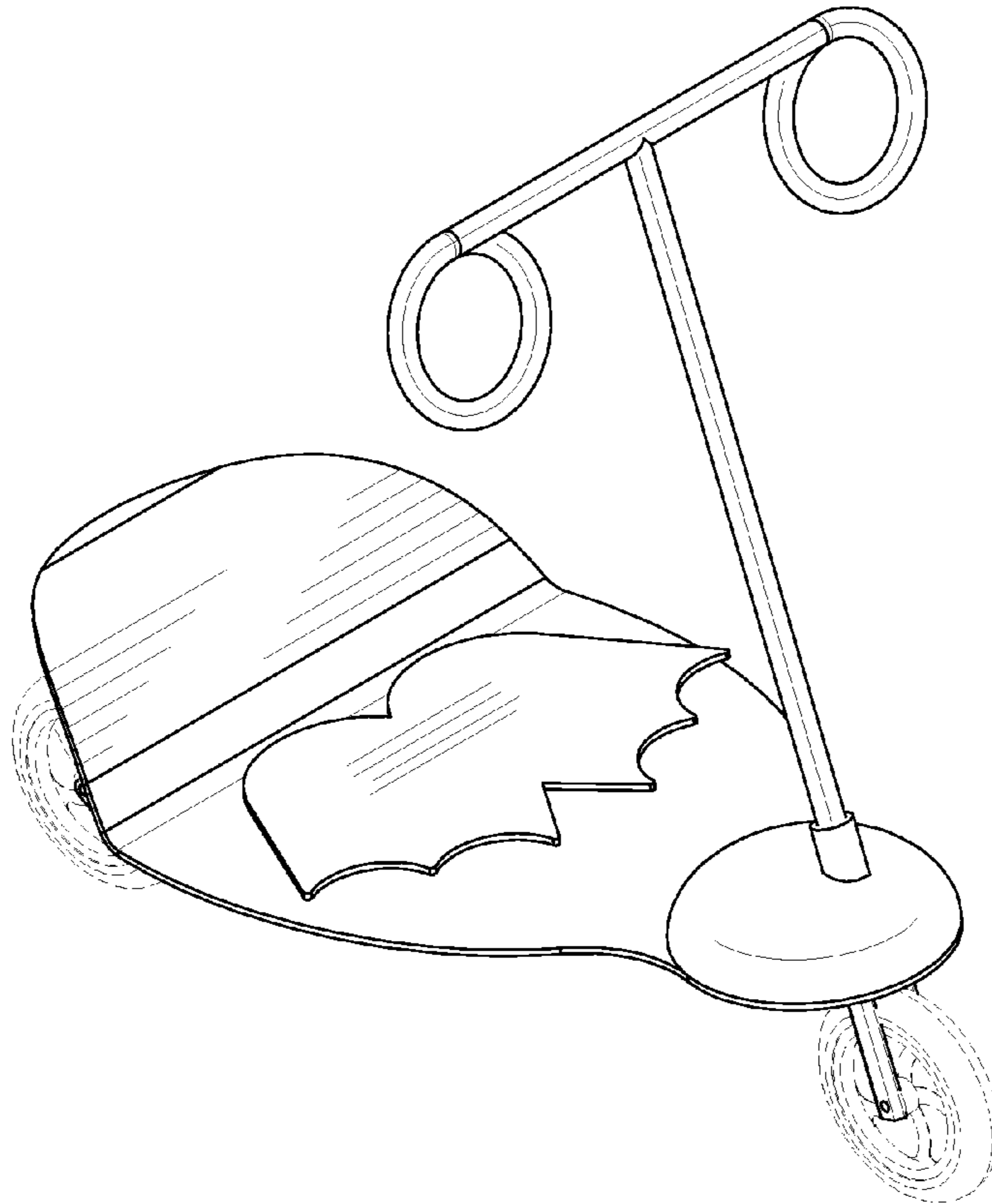
FIG. 5 is a left side view thereof;

FIG. 6 is a top view thereof; and,

FIG. 7 is a bottom view thereof.

The broken lines shown are included for the purpose of illustrating the unclaimed portions of the article and form no part of the claimed design.

**1 Claim, 6 Drawing Sheets**



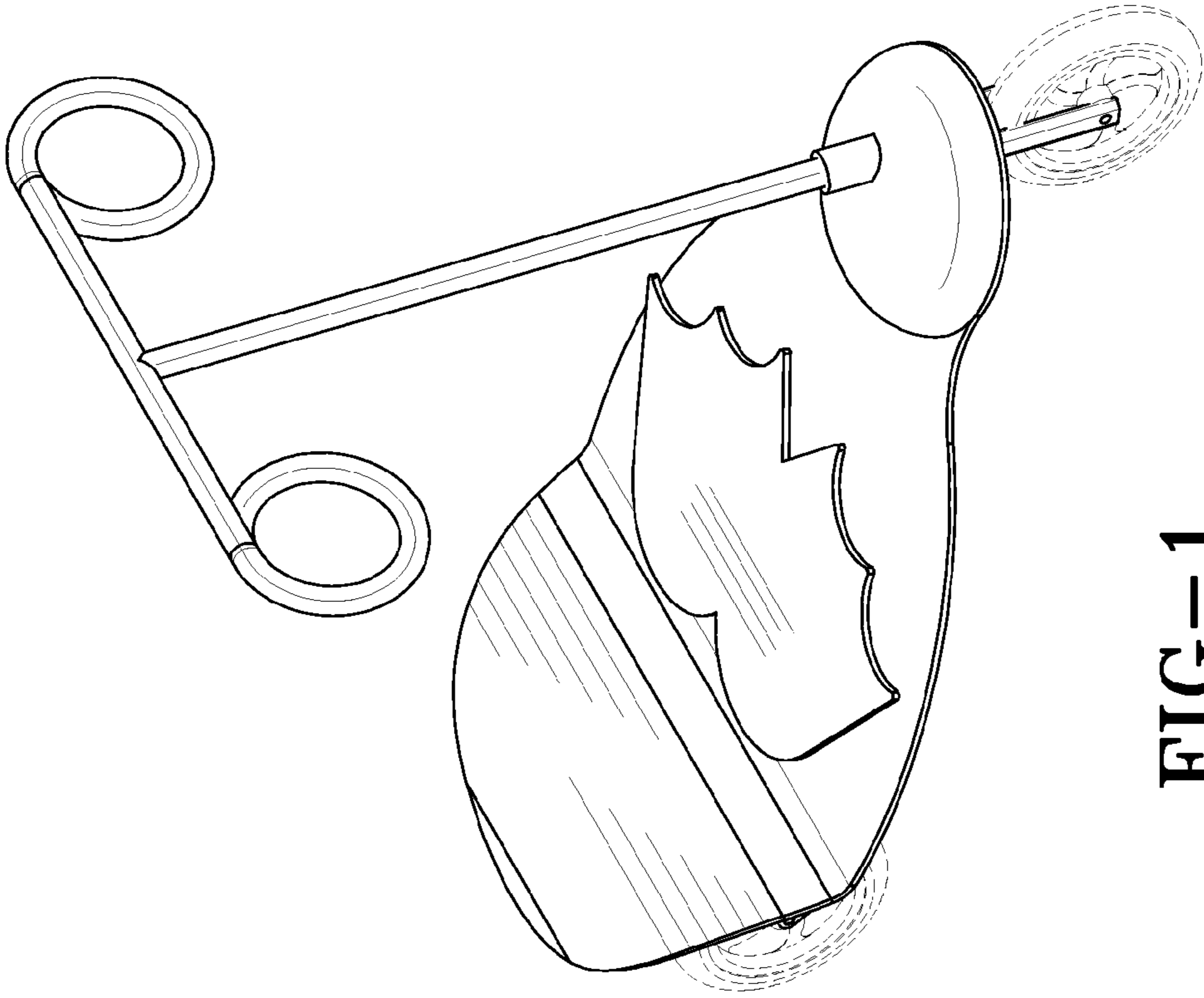


FIG-1

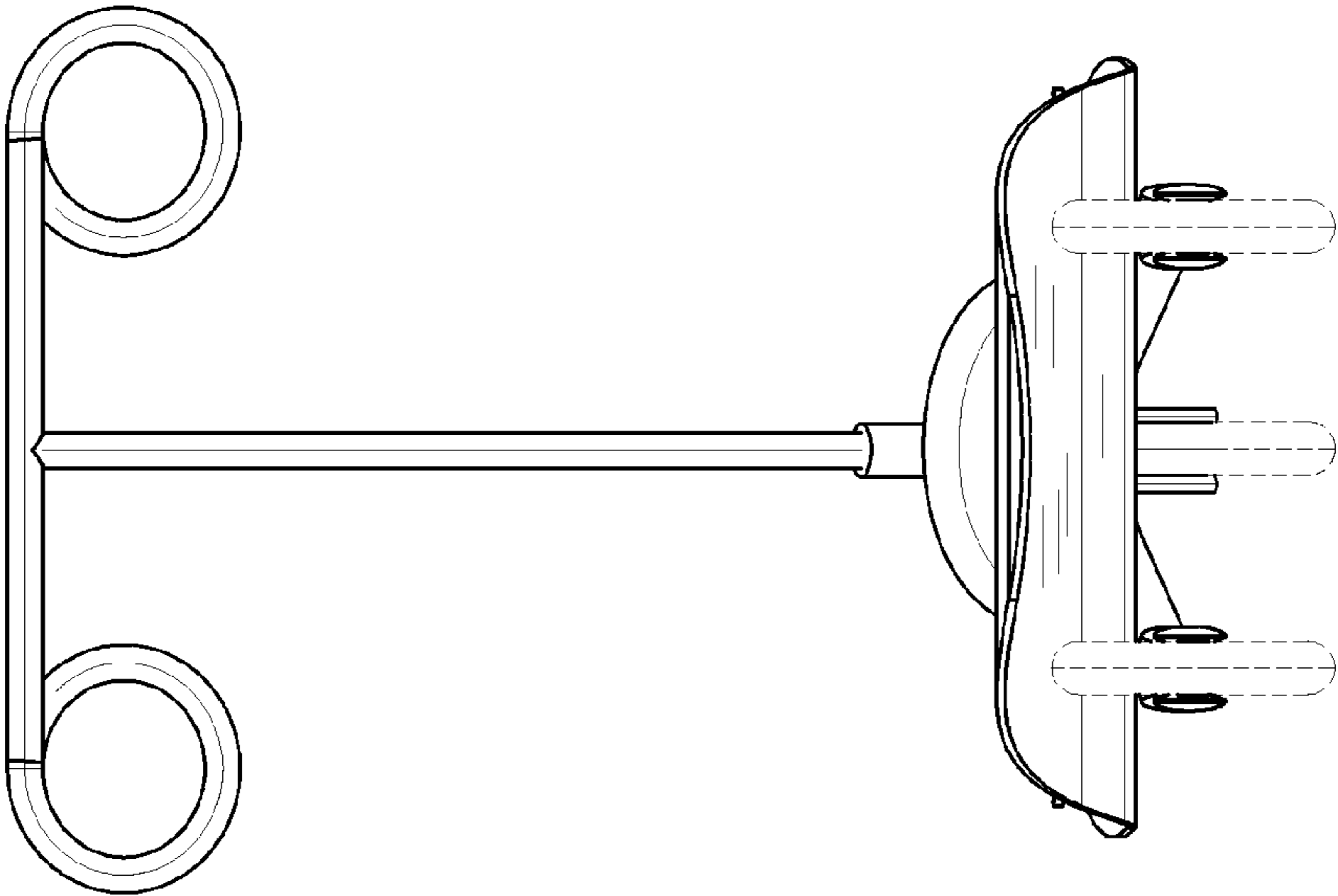


FIG-3

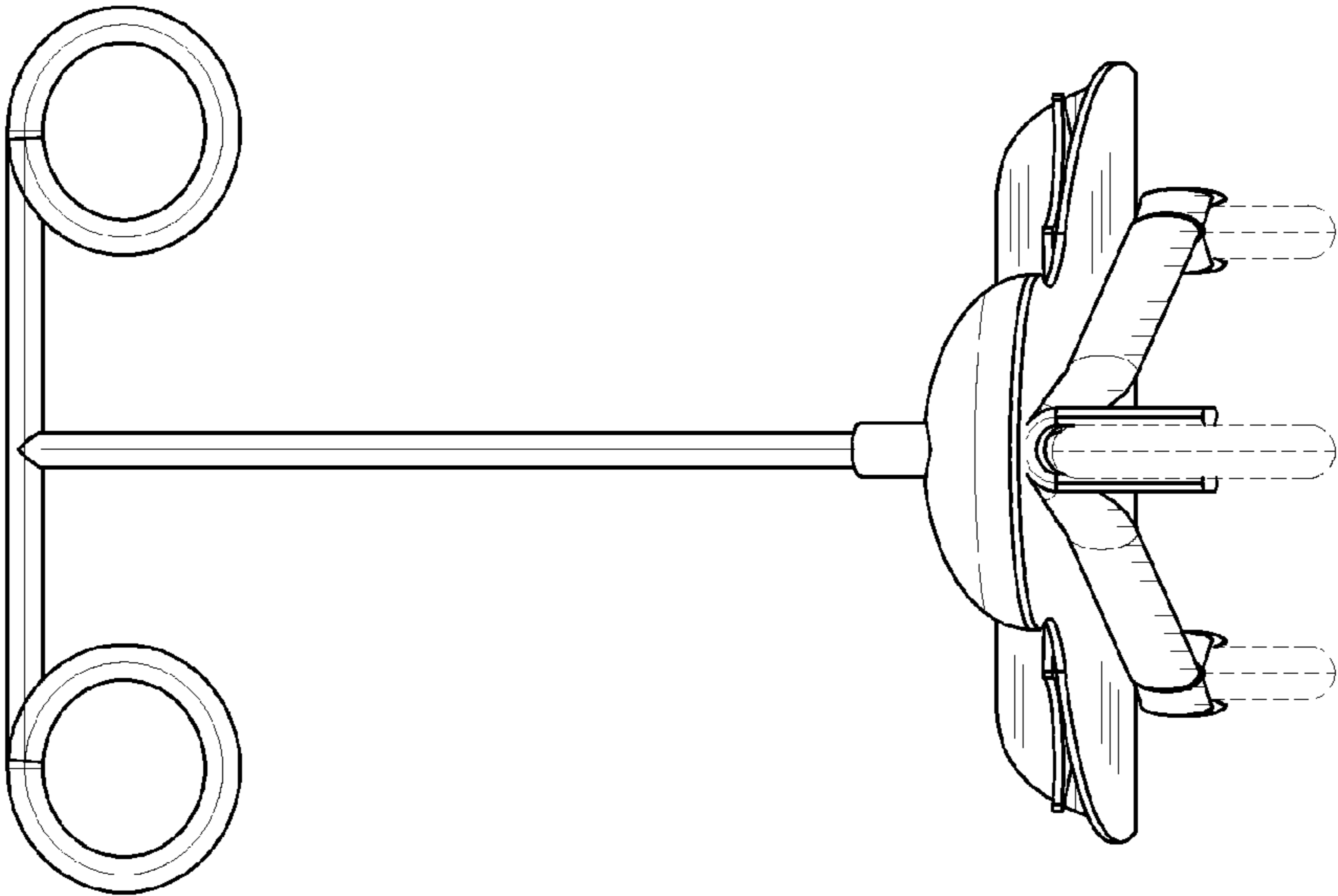


FIG-2

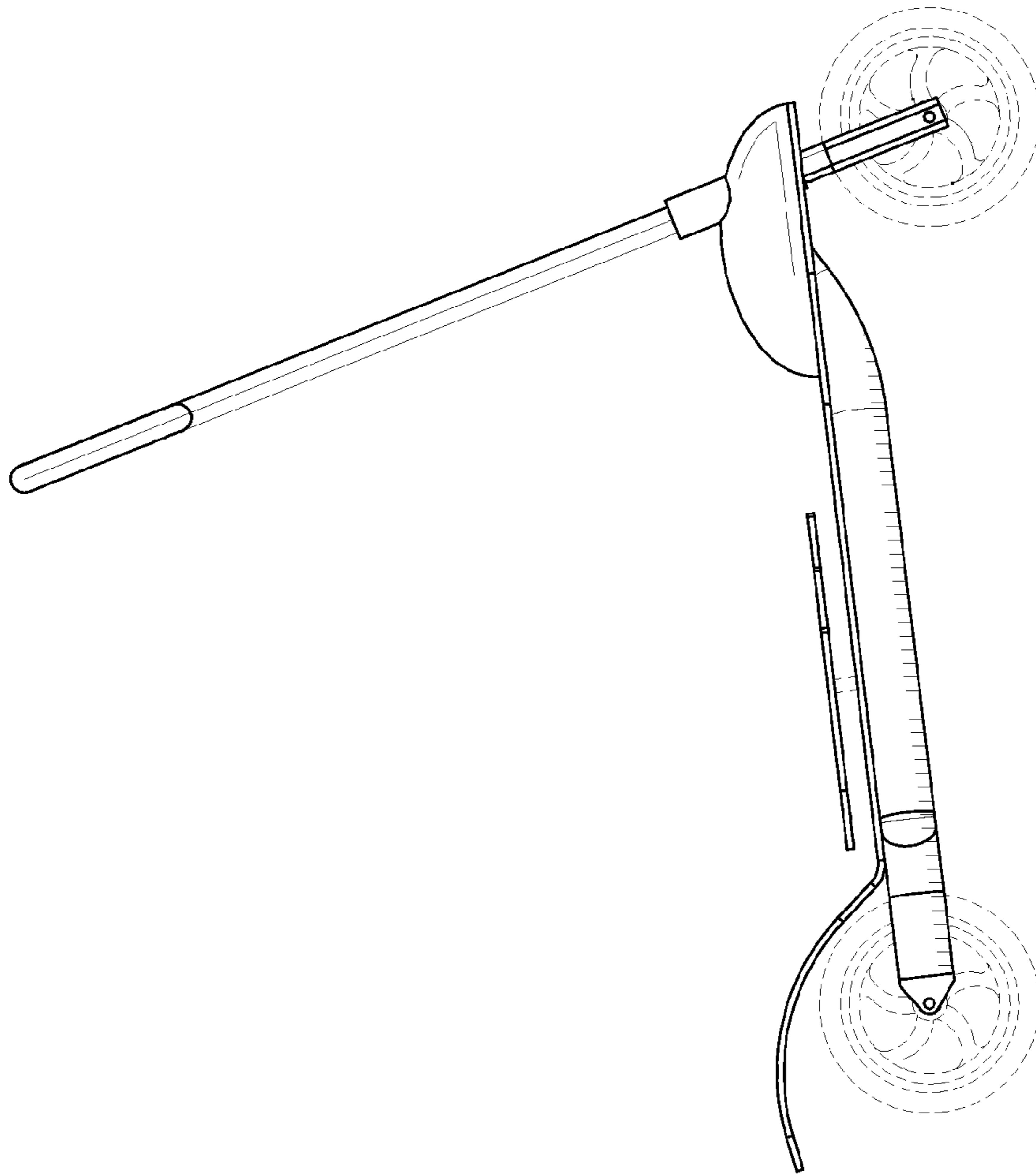


FIG-4

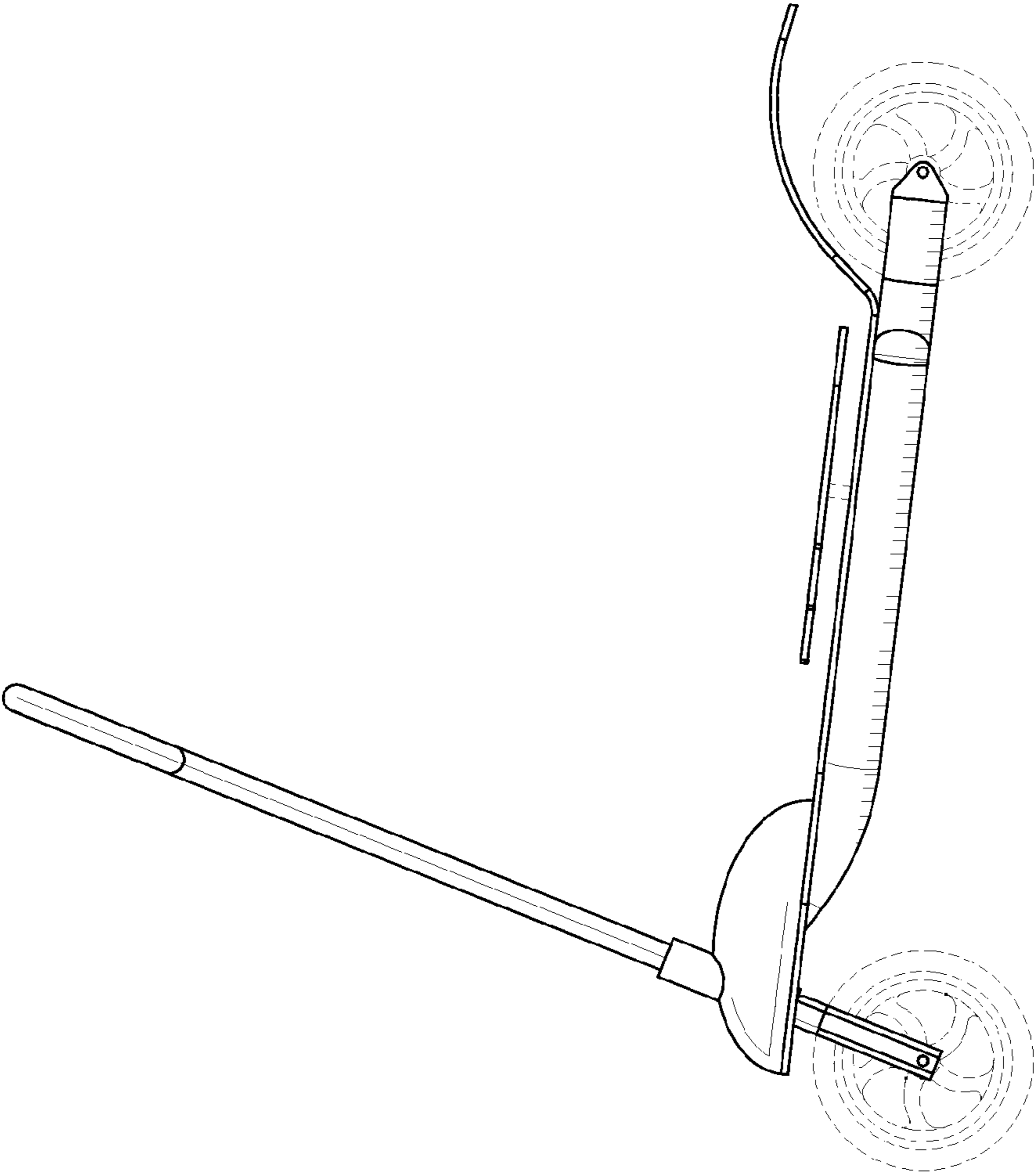


FIG-5

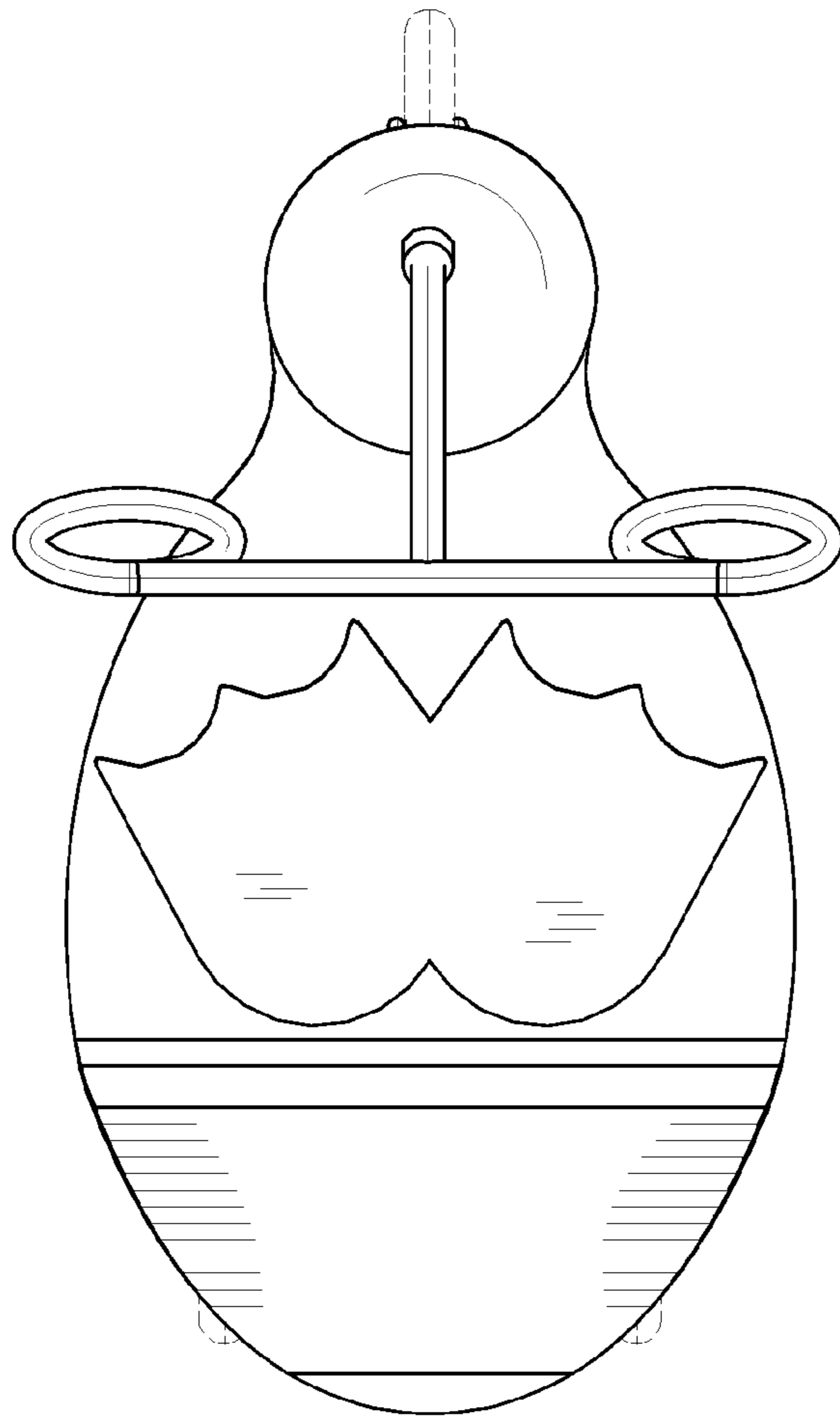


FIG-6

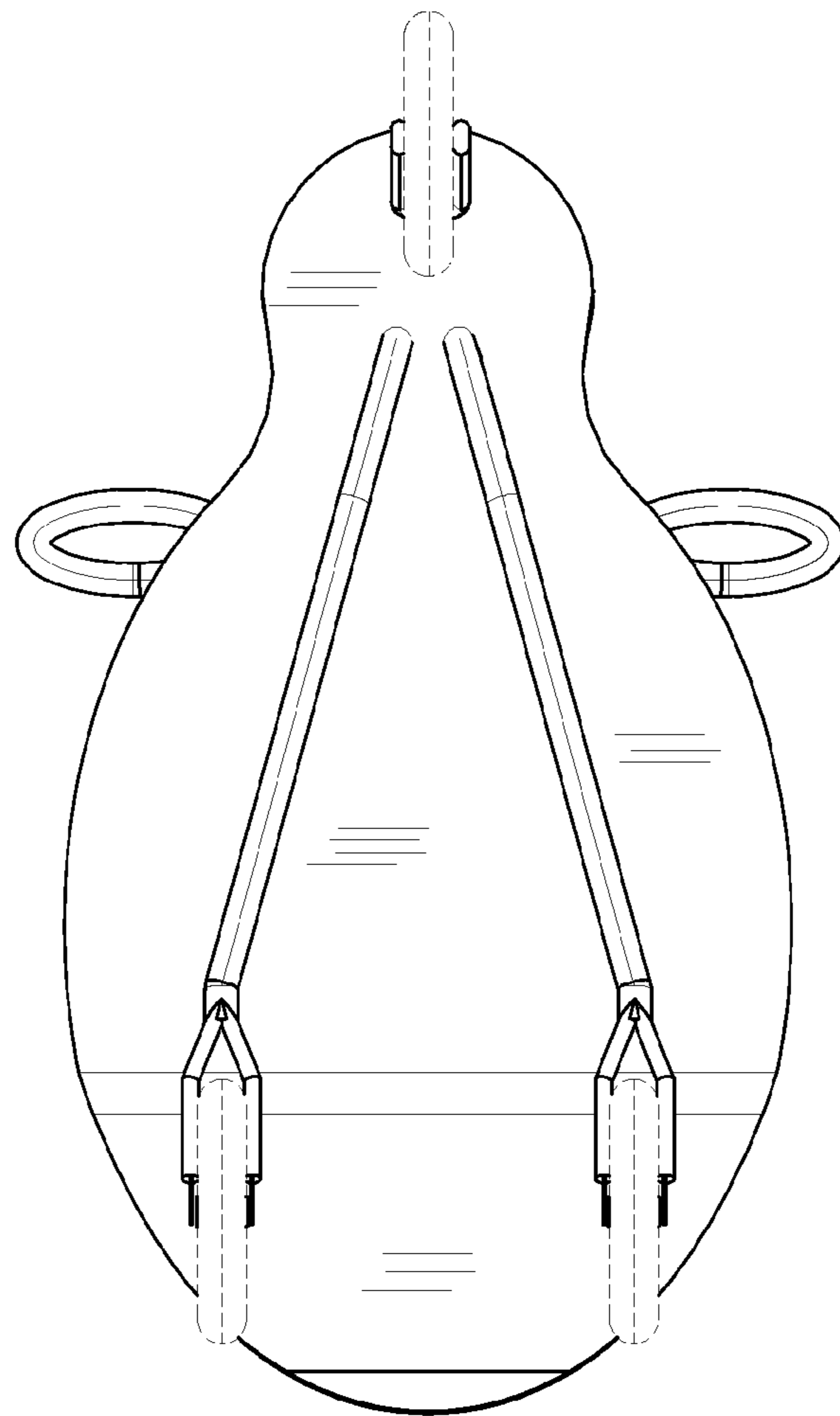


FIG--7