



US00D638494S

(12) **United States Design Patent**
Scolari et al.

(10) **Patent No.:** **US D638,494 S**

(45) **Date of Patent:** **** May 24, 2011**

(54) **SCOOTER**

(75) Inventors: **Nathan Anthony Scolari**, Greenville, SC (US); **Robert Wayne Lewis, Jr.**, Duncan, SC (US)

(73) Assignee: **Zike, LLC**, Greenville, SC (US)

(**) Term: **14 Years**

(21) Appl. No.: **29/367,428**

(22) Filed: **Aug. 6, 2010**

(51) **LOC (9) Cl.** **21-01**

(52) **U.S. Cl.** **D21/423**

(58) **Field of Classification Search** D21/419, D21/421, 423, 426-428, 435, 597, 760, 765, D21/769, 771, 803; D12/1, 8, 108, 112, D12/113; 280/8, 14.21, 14.25, 14.26, 87.041, 280/87.042, 200, 214, 220, 221, 239, 263, 280/288.1, 288.2, 288.4, 809; 180/180, 181
See application file for complete search history.

(56) **References Cited**

U.S. PATENT DOCUMENTS

| | | | | |
|--------------|--------|---------|-------|---------|
| D210,087 S * | 2/1968 | Higgins | | D21/423 |
| D295,208 S * | 4/1988 | Vallejo | | D21/765 |
| D411,238 S * | 6/1999 | Cornish | | D21/597 |
| D421,282 S * | 2/2000 | Orr | | D21/765 |
| D444,511 S * | 7/2001 | Shih | | D21/423 |
| D456,047 S * | 4/2002 | Mandic | | D21/423 |

| | | | | |
|--------------|---------|-----------------|-------|---------|
| D459,761 S * | 7/2002 | Chen | | D21/423 |
| D471,597 S * | 3/2003 | Chen | | D21/423 |
| D471,598 S * | 3/2003 | Chen | | D21/423 |
| D478,644 S * | 8/2003 | Gentry | | D21/597 |
| D479,734 S * | 9/2003 | Schaffer et al. | | D21/423 |
| D517,630 S * | 3/2006 | Wickstrom | | D21/769 |
| D557,751 S * | 12/2007 | On | | D21/423 |
| D564,037 S * | 3/2008 | Cramer et al. | | D21/423 |
| D564,613 S * | 3/2008 | Hamborg | | D21/765 |
| D579,987 S * | 11/2008 | Hong | | D21/423 |
| D603,463 S * | 11/2009 | Jessie, Jr. | | D21/423 |

* cited by examiner

Primary Examiner — Cynthia M Chin

(74) *Attorney, Agent, or Firm* — David L. King

(57) **CLAIM**

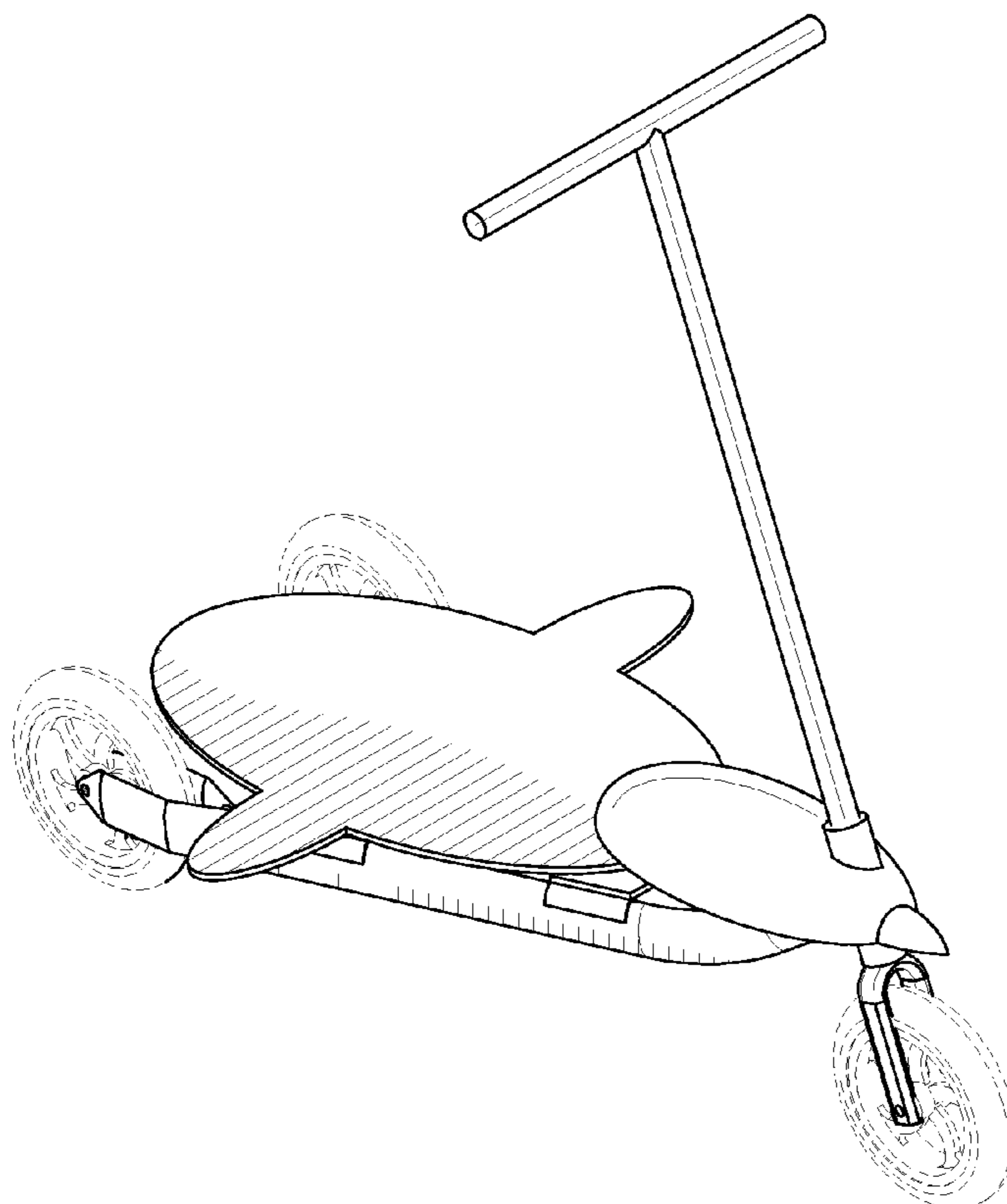
The ornamental design for a scooter, as shown and described.

DESCRIPTION

FIG. 1 is a perspective view of our new, original and ornamental design;
FIG. 2 is a front view thereof;
FIG. 3 is a rear view thereof;
FIG. 4 is a right side view thereof;
FIG. 5 is a left side view thereof;
FIG. 6 is a top view thereof; and,
FIG. 7 is a bottom view thereof.

The broken lines shown are included for the purpose of illustrating the unclaimed portions of the article and form no part of the claimed design.

1 Claim, 6 Drawing Sheets



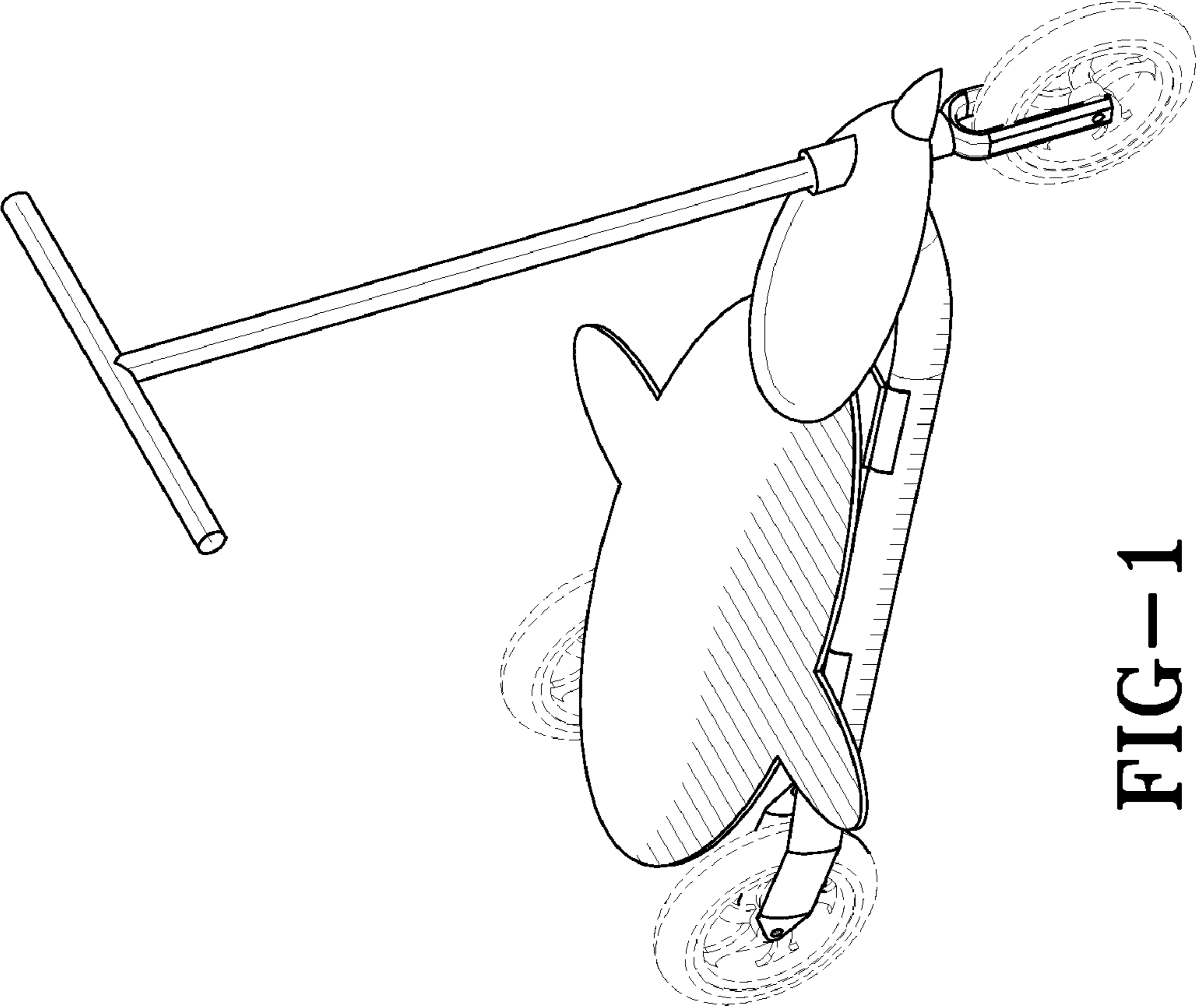


FIG-1

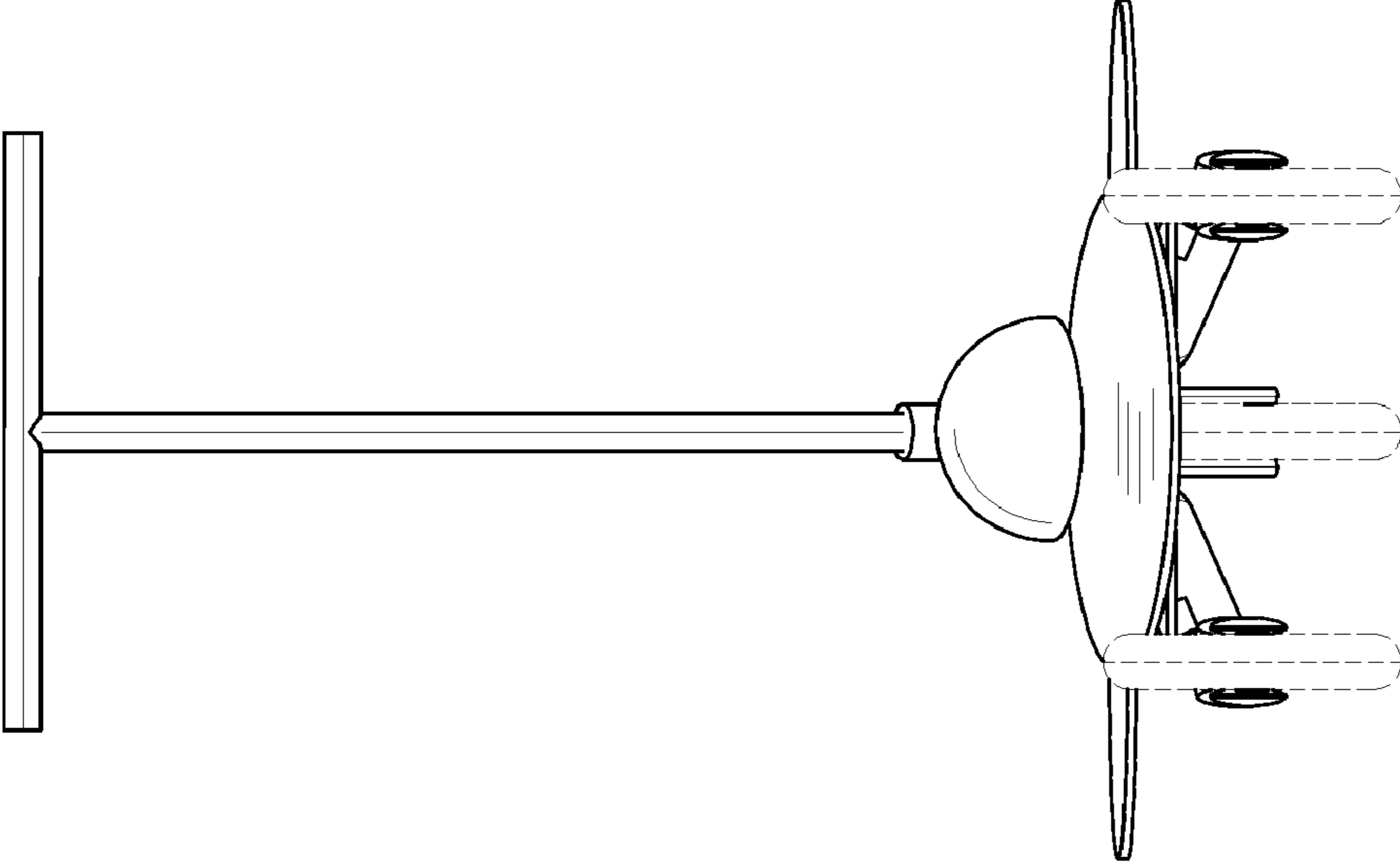


FIG-3

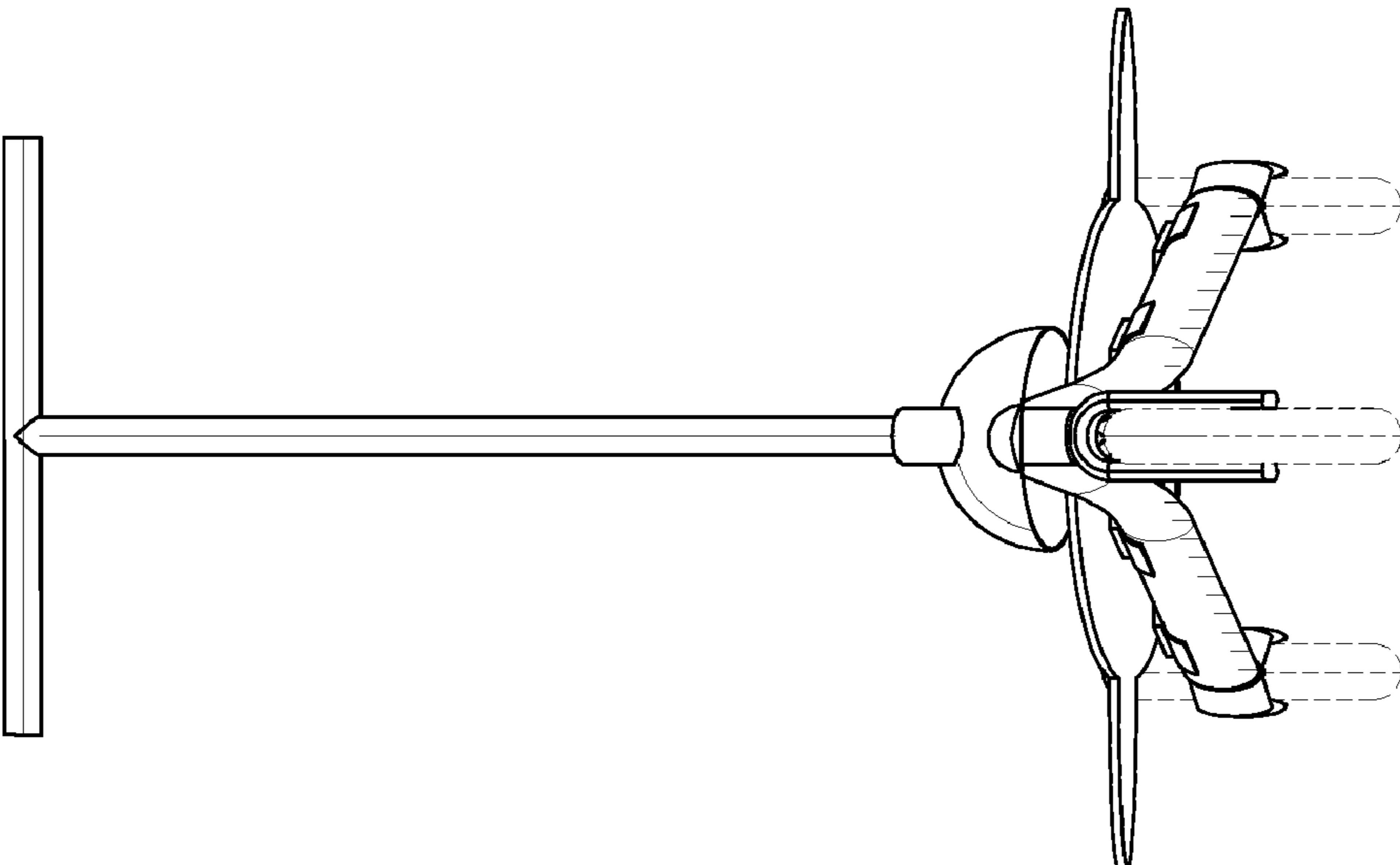


FIG-2

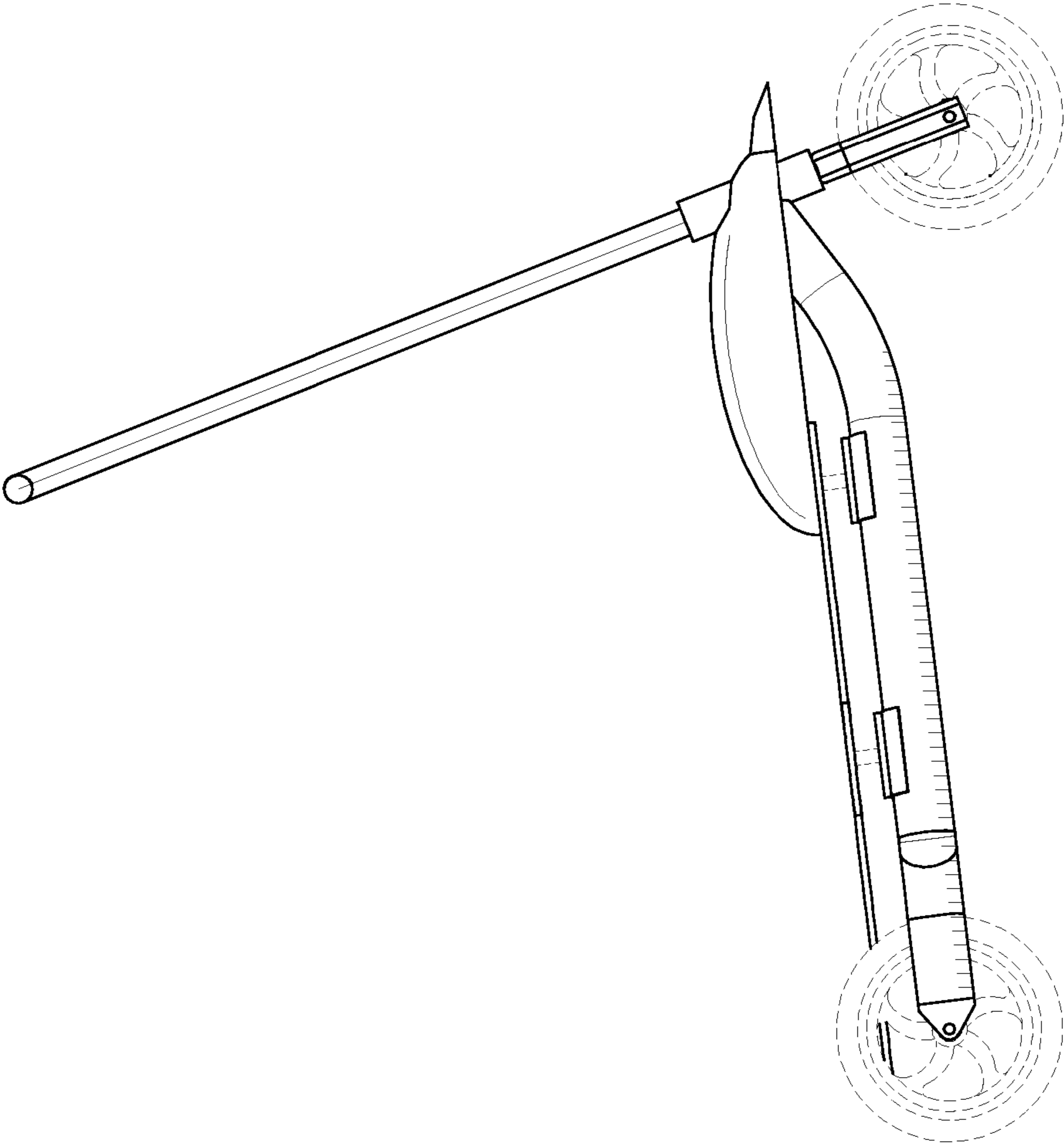


FIG-4

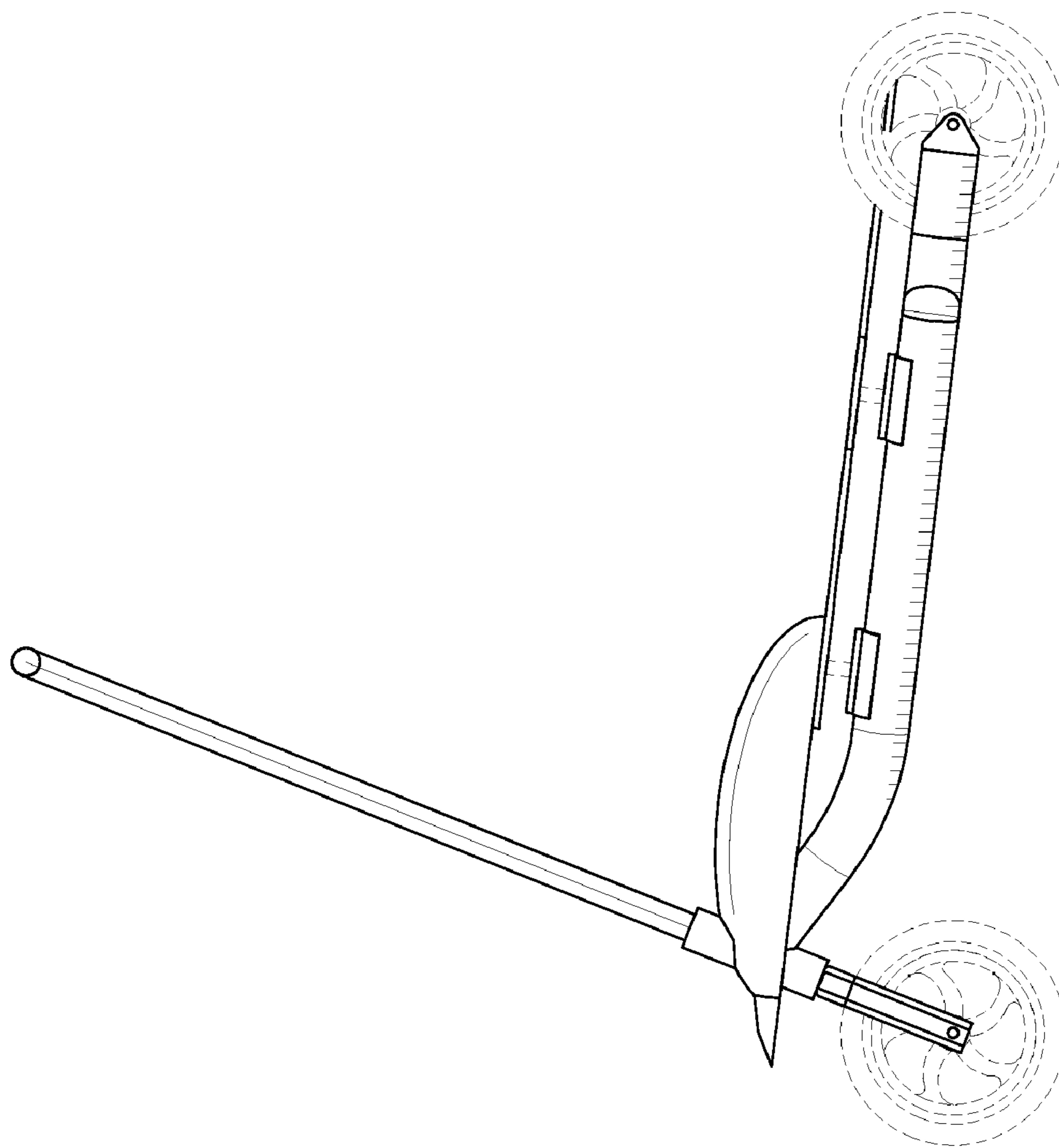


FIG-5

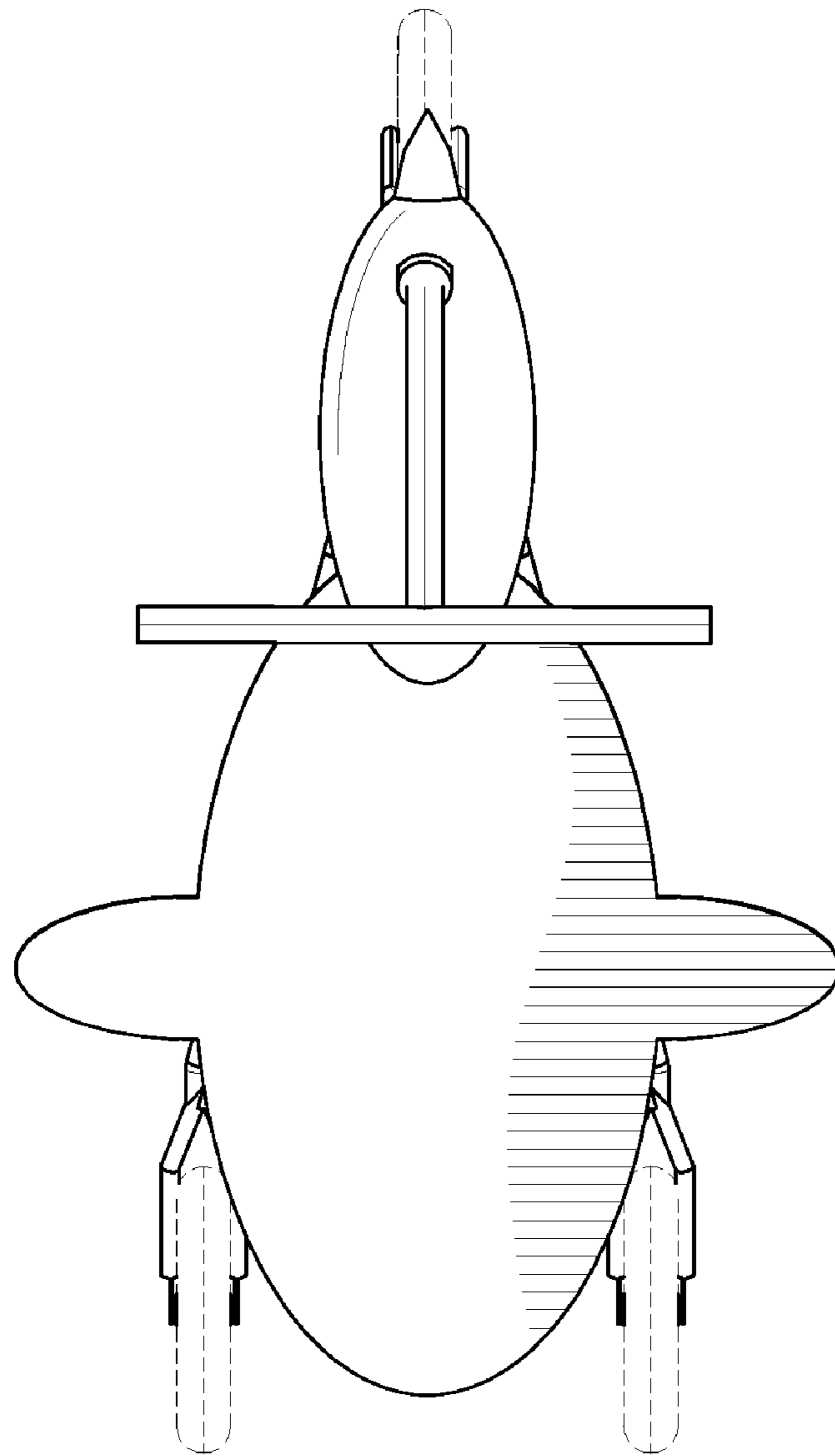


FIG-6

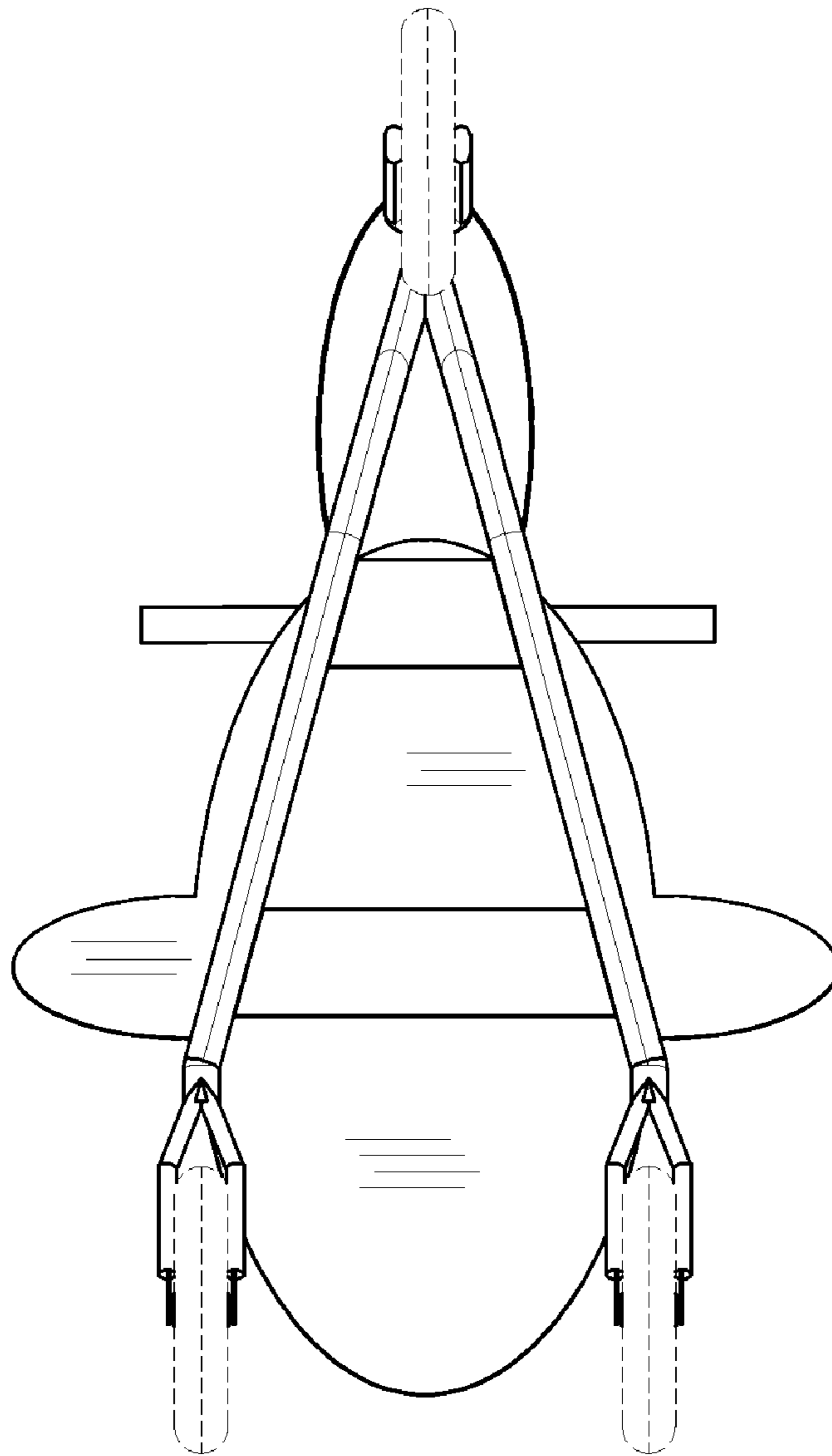


FIG-7