



US00D638493S

(12) **United States Design Patent**  
**Scolari et al.**

(10) **Patent No.:** **US D638,493 S**

(45) **Date of Patent:** **\*\* May 24, 2011**

(54) **SCOOTER**

(75) Inventors: **Nathan Anthony Scolari**, Greenville, SC (US); **Robert Wayne Lewis, Jr.**, Duncan, SC (US)

(73) Assignee: **Zike, LLC**, Greenville, SC (US)

(\*\*) Term: **14 Years**

(21) Appl. No.: **29/367,427**

(22) Filed: **Aug. 6, 2010**

(51) **LOC (9) Cl.** ..... **21-01**

(52) **U.S. Cl.** ..... **D21/423**

(58) **Field of Classification Search** ..... D21/419,  
D21/421, 423, 426-428, 435, 597, 603, 760,  
D21/765, 771, 803, 806; D12/1, 8, 108,  
D12/112, 113; 280/8, 14.21, 14.25, 14.26,  
280/87.041, 87.042, 200, 214, 220, 221,  
280/239, 263, 288.1, 288.2, 288.4, 809; 180/180,  
180/181

See application file for complete search history.

(56) **References Cited**

U.S. PATENT DOCUMENTS

D85,019 S *	9/1931	Vetter	.....	D21/603
D210,087 S *	2/1968	Higgins	.....	D21/423
D345,393 S *	3/1994	Chen	.....	D21/425
D421,282 S *	2/2000	Orr	.....	D21/765
D444,511 S *	7/2001	Shih	.....	D21/423
D459,761 S *	7/2002	Chen	.....	D21/423

D471,597 S *	3/2003	Chen	.....	D21/423
D471,598 S *	3/2003	Chen	.....	D21/423
D479,734 S *	9/2003	Schaffer et al.	.....	D21/423
D517,630 S *	3/2006	Wickstrom	.....	D21/769
D557,751 S *	12/2007	On	.....	D21/423
D564,037 S *	3/2008	Cramer et al.	.....	D21/423
D579,987 S *	11/2008	Hong	.....	D21/423
D582,499 S *	12/2008	Hoffman	.....	D21/803
D582,500 S *	12/2008	Hoffman	.....	D21/803
D583,007 S *	12/2008	Hoffman	.....	D21/803
D603,463 S *	11/2009	Jessie, Jr.	.....	D21/423

\* cited by examiner

*Primary Examiner* — Cynthia M Chin

(74) *Attorney, Agent, or Firm* — David L. King

(57) **CLAIM**

The ornamental design for a scooter, as shown and described.

**DESCRIPTION**

FIG. 1 is a perspective view of our new, original and ornamental design;

FIG. 2 is a front view thereof;

FIG. 3 is a rear view thereof;

FIG. 4 is a right side view thereof;

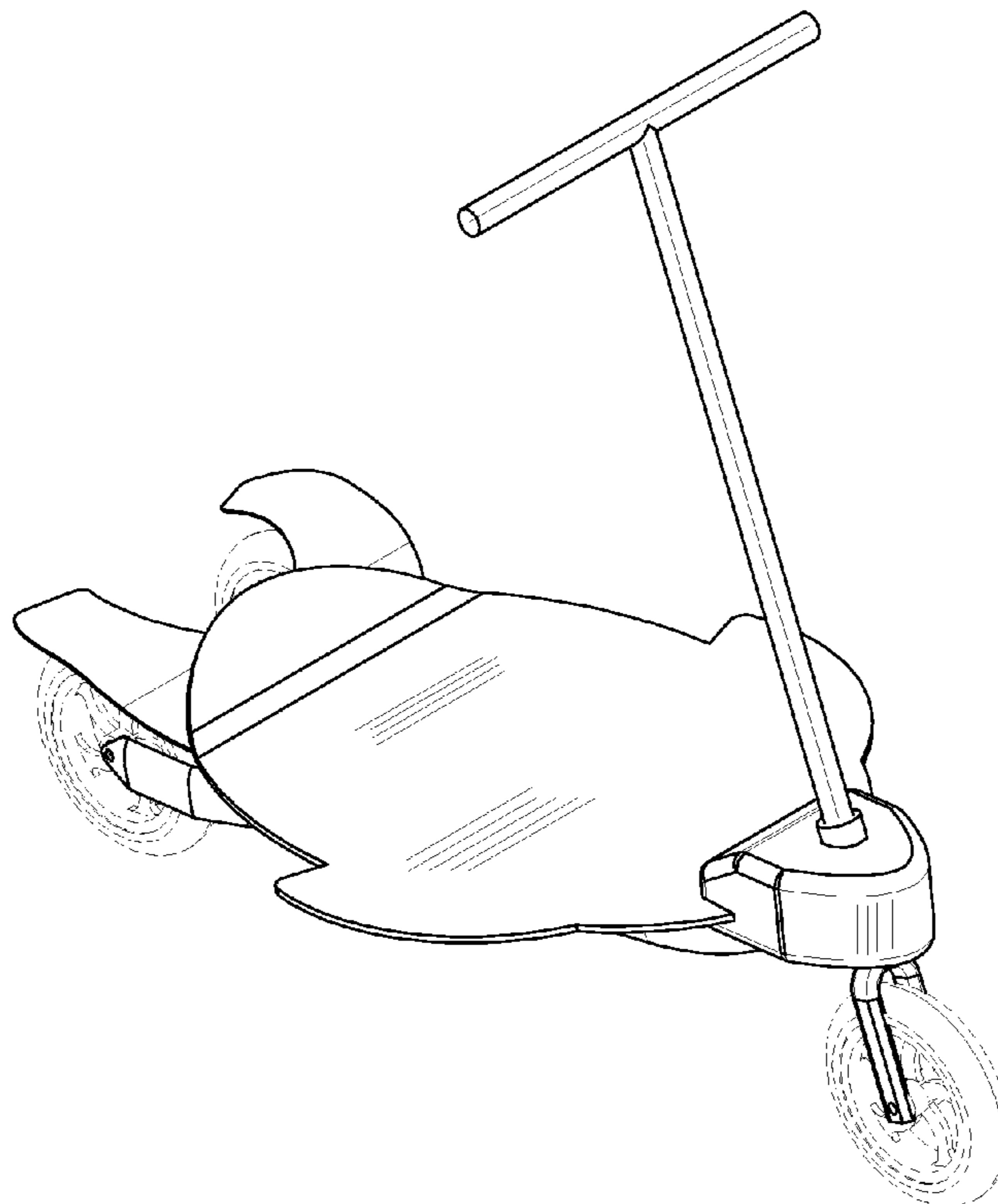
FIG. 5 is a left side view thereof;

FIG. 6 is a top view thereof; and,

FIG. 7 is a bottom view thereof.

The broken lines shown are included for the purpose of illustrating the unclaimed portions of the article and form no part of the claimed design.

**1 Claim, 6 Drawing Sheets**



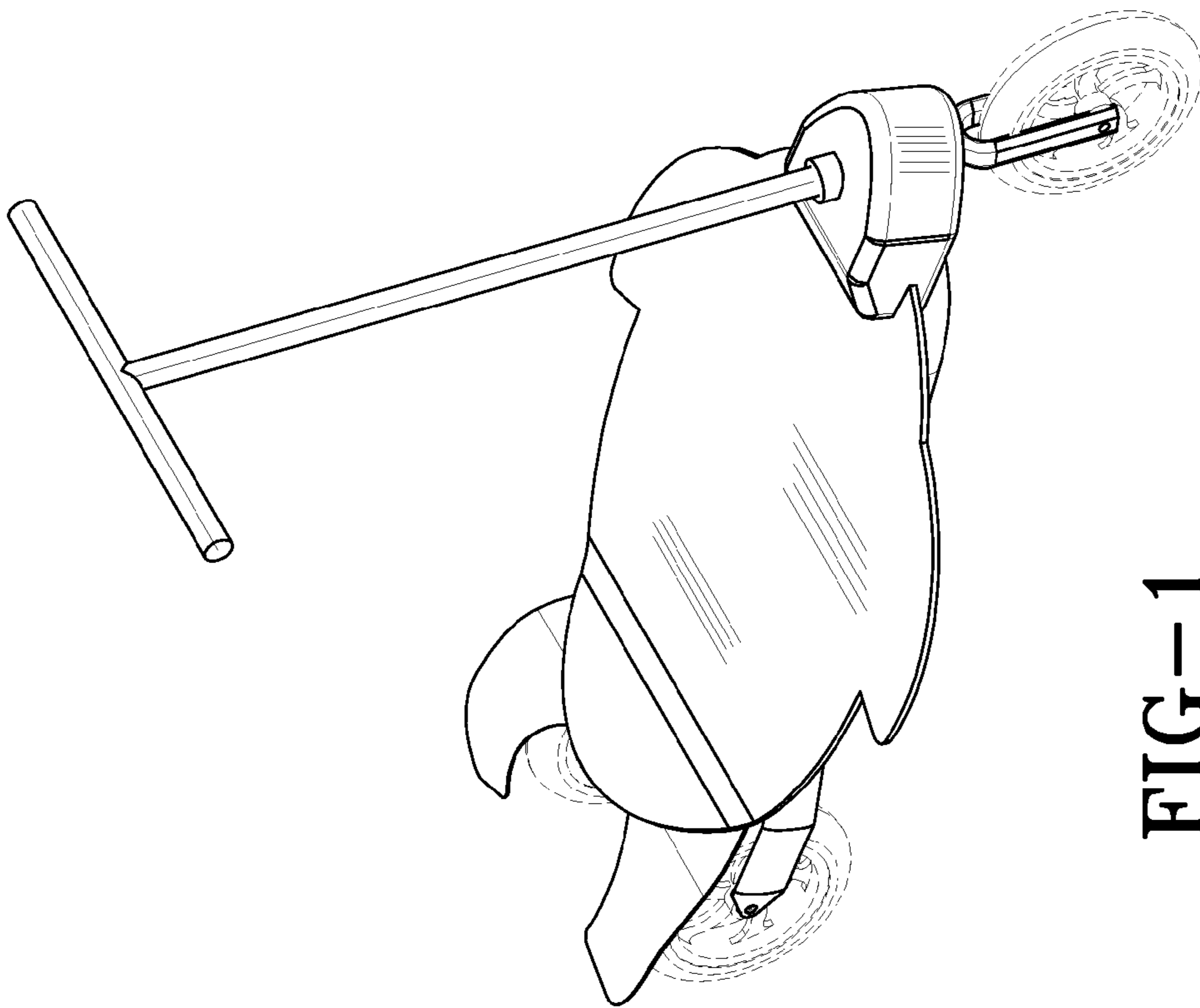


FIG-1

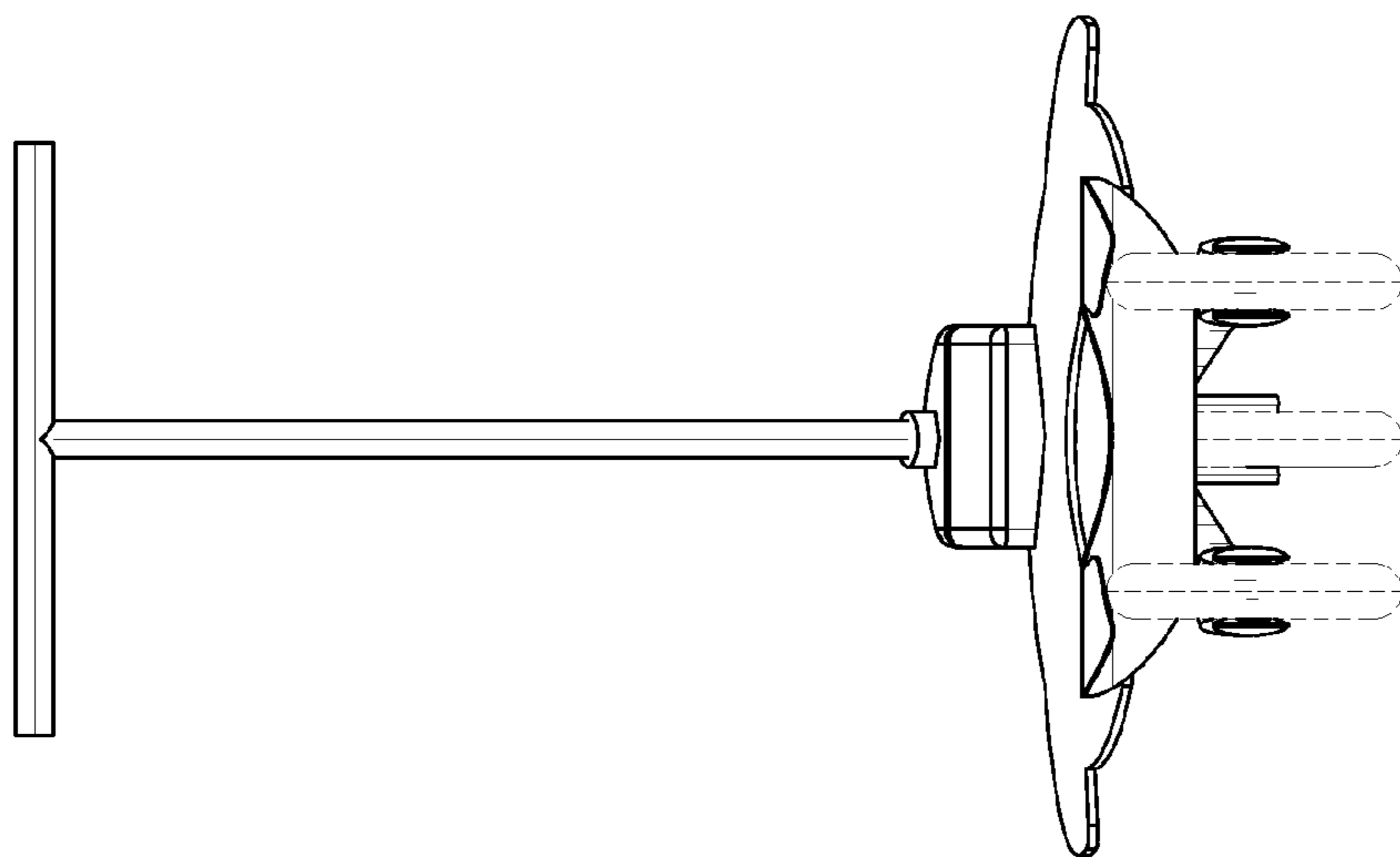


FIG-3

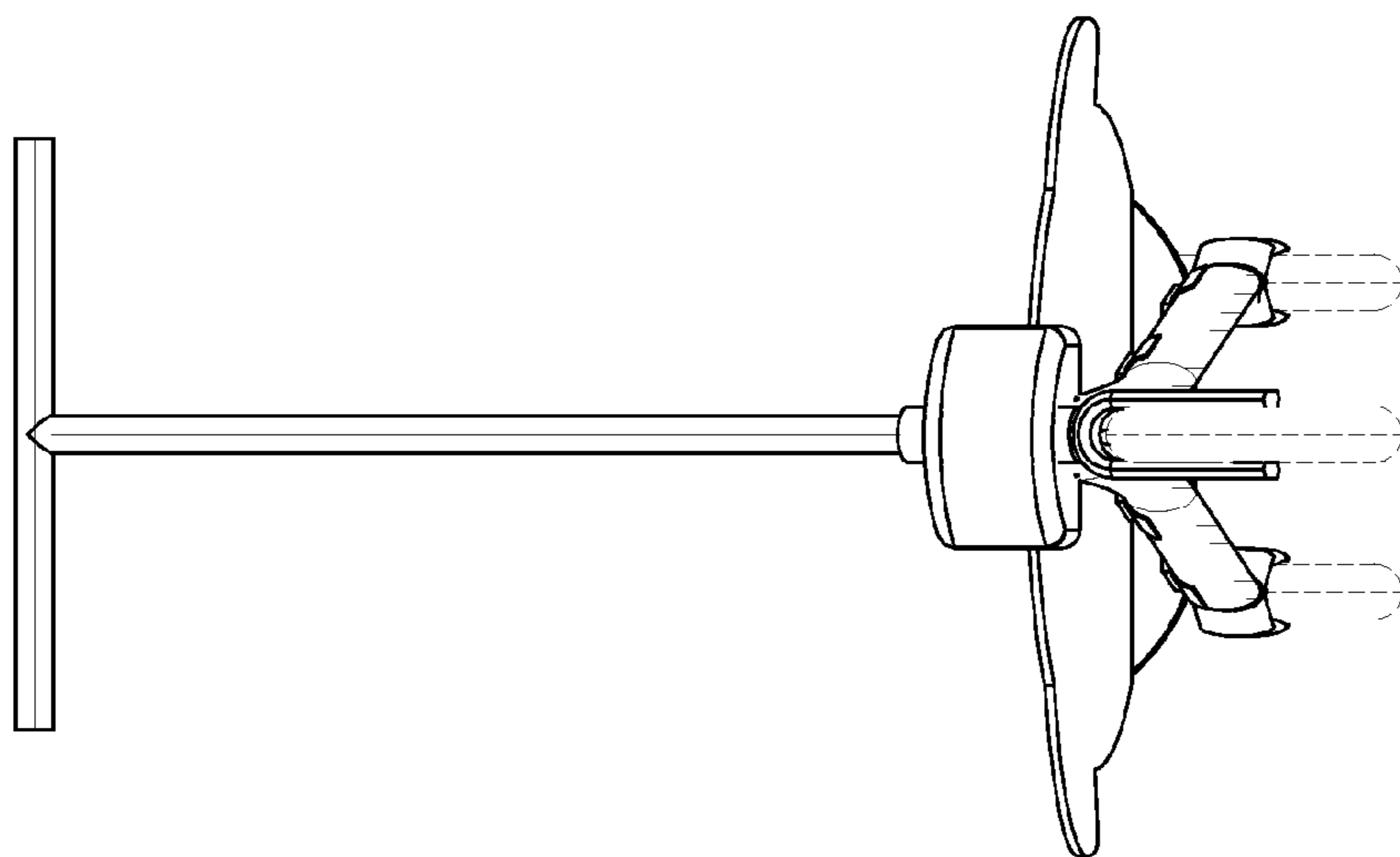


FIG-2

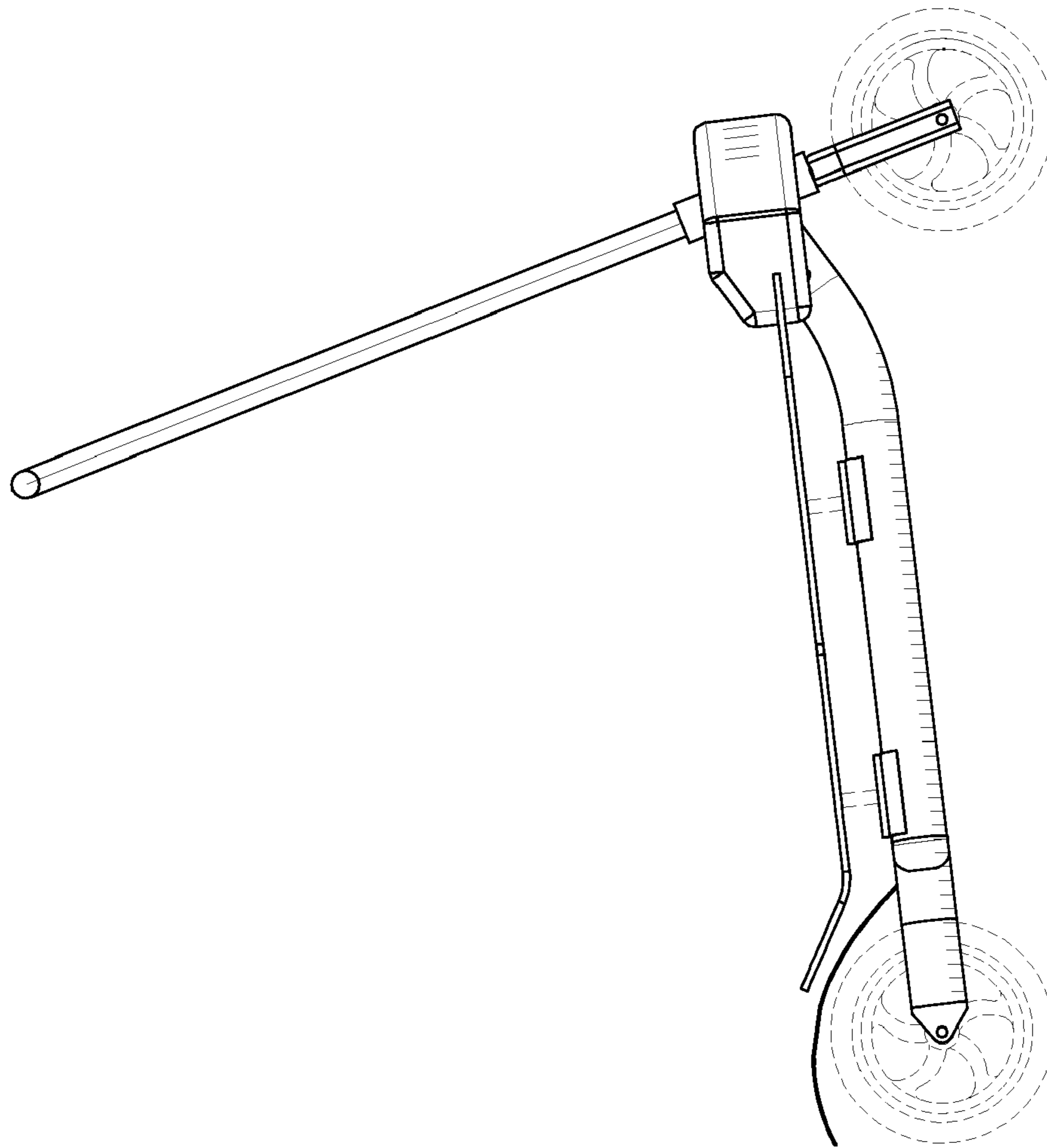


FIG-4

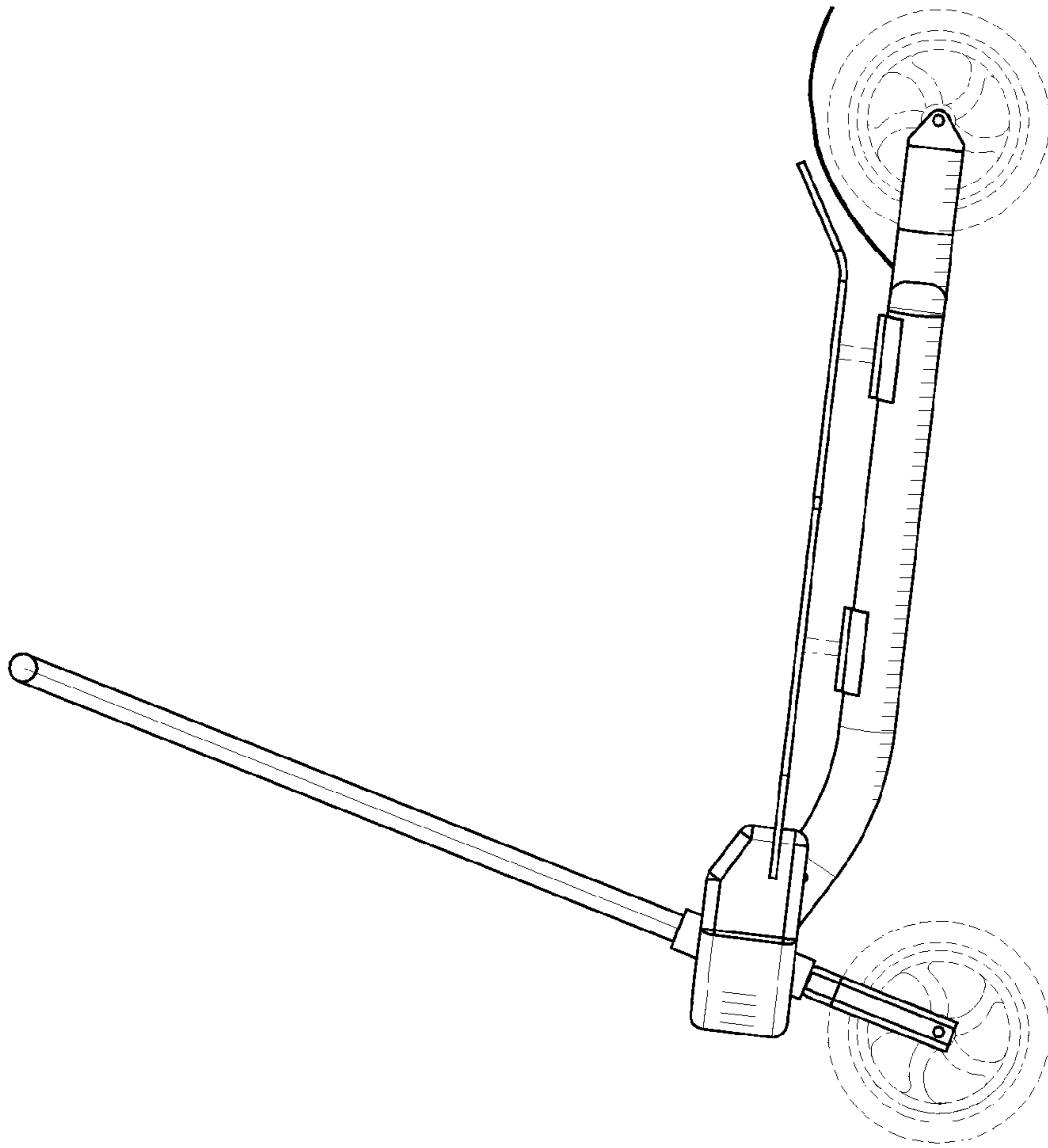


FIG-5

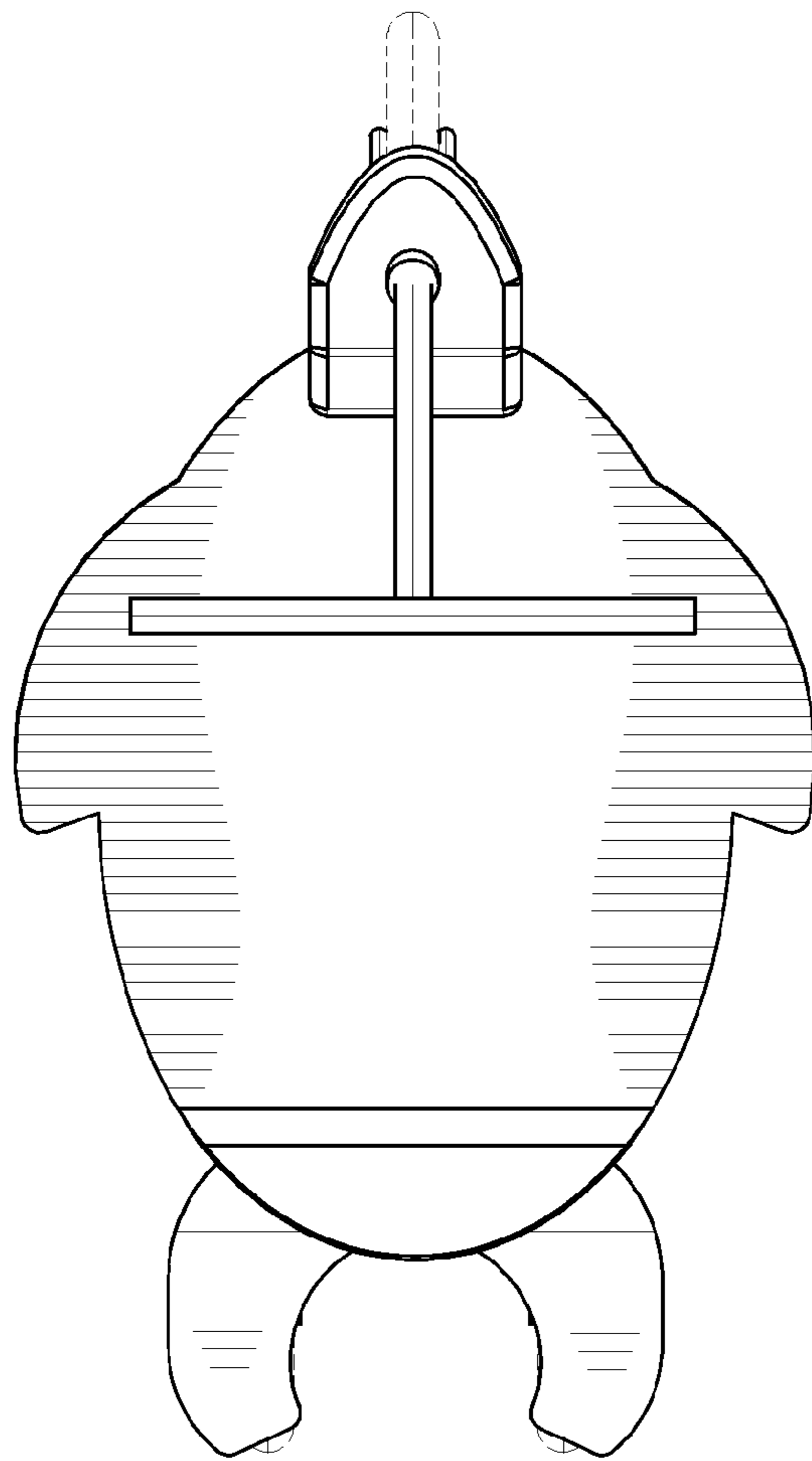


FIG-6

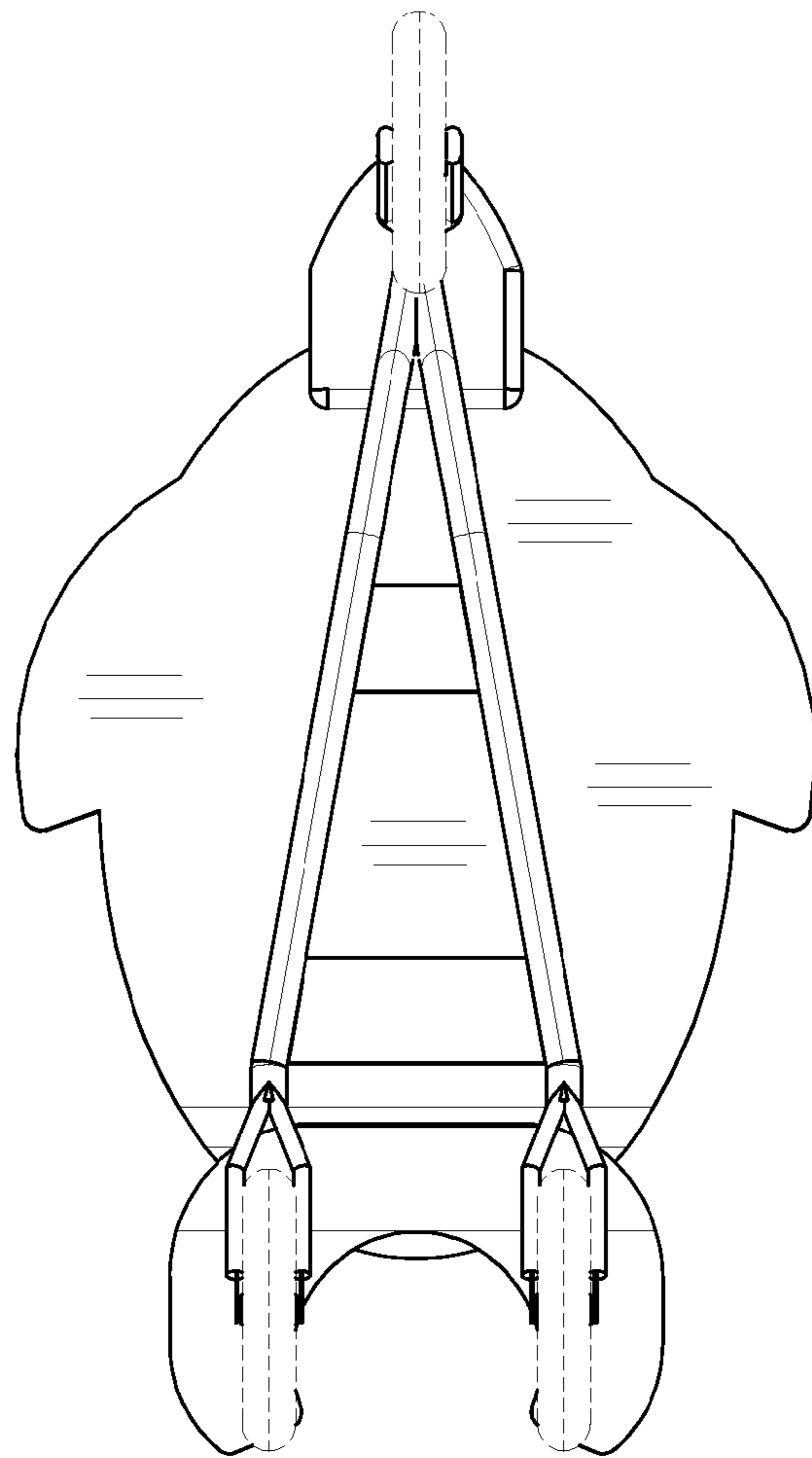


FIG--7