



US00D638484S

(12) **United States Design Patent**  
**Scolari et al.**

(10) **Patent No.:** **US D638,484 S**  
(45) **Date of Patent:** **\*\* May 24, 2011**

(54) **SCOOTER**

(75) Inventors: **Nathan Anthony Scolari**, Greenville, SC (US); **Daniel Robert Cabral**, Greenville, SC (US); **Geoffrey Michael Bergmark**, Hendersonville, NC (US); **Robert Wayne Lewis, Jr.**, Duncan, SC (US)

(73) Assignee: **Zike, LLC**, Greenville, SC (US)

(\*\*) Term: **14 Years**

(21) Appl. No.: **29/366,937**

(22) Filed: **Aug. 2, 2010**

(51) **LOC (9) Cl.** ..... **21-01**

(52) **U.S. Cl.** ..... **D21/423**

(58) **Field of Classification Search** ..... D21/419, D21/421, 423, 426-428, 435, 668-671, 760, D21/765, 771; D12/1, 8, 108, 112, 113; 280/8, 14.21, 14.25, 14.26, 87.041, 87.042, 280/200, 214, 220, 221, 239, 263, 288.1, 280/288.2, 288.4, 809; 180/180, 181  
See application file for complete search history.

(56) **References Cited**

**U.S. PATENT DOCUMENTS**

D180,741 S *	8/1957	Magoon	.....	D12/113
D291,211 S *	8/1987	Man	.....	D21/423
D401,645 S *	11/1998	Kuo	.....	D21/668
D435,608 S *	12/2000	Medeiros	.....	D21/421
6,334,838 B1 *	1/2002	Lee	.....	280/221
D495,374 S *	8/2004	Chuang	.....	D21/423
D495,758 S *	9/2004	Chuang	.....	D21/423
D497,957 S *	11/2004	Chuang	.....	D21/423

D500,096 S *	12/2004	Medeiros	.....	D21/421
D521,576 S *	5/2006	Hsiung	.....	D21/668
D535,710 S *	1/2007	Hsiung	.....	D21/668
D558,282 S *	12/2007	Husted et al.	.....	D21/668
D567,310 S *	4/2008	Chen et al.	.....	D21/668
D568,417 S *	5/2008	Meguerditchian	.....	D21/423
7,377,532 B2 *	5/2008	Bauce	.....	280/221
D599,863 S *	9/2009	Quijada	.....	D21/668
2004/0075230 A1 *	4/2004	Lin	.....	280/87.041
2006/0119052 A1 *	6/2006	Bauce	.....	280/8
2007/0024019 A1 *	2/2007	Tarlow et al.	.....	280/221
2010/0001487 A1 *	1/2010	Pang	.....	280/221

\* cited by examiner

*Primary Examiner* — Cynthia M Chin

(74) *Attorney, Agent, or Firm* — David L. King

(57) **CLAIM**

The ornamental design for a scooter, as shown and described.

**DESCRIPTION**

FIG. 1 is a perspective view of our new, original and ornamental design;

FIG. 2 is a front view thereof;

FIG. 3 is a rear view thereof;

FIG. 4 is a left side view thereof;

FIG. 5 is a right side view thereof;

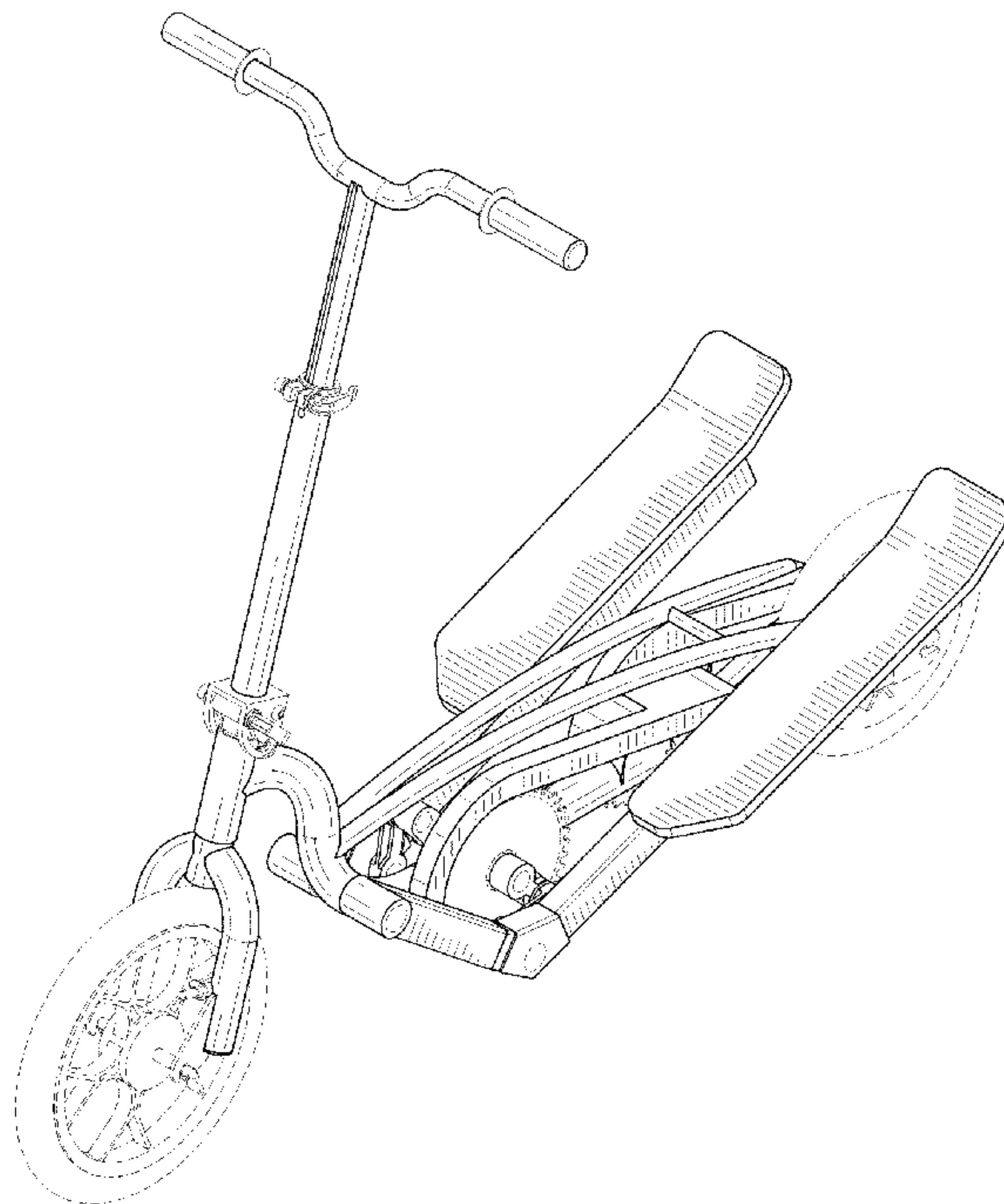
FIG. 6 is a top view thereof;

FIG. 7 is a bottom view thereof; and,

FIG. 8 is a second perspective view of our new, original and ornamental design showing the handlebar assembly in the folded position.

The broken lines shown are included for the purpose of illustrating the unclaimed portions of the article and form no part of the claimed design.

**1 Claim, 6 Drawing Sheets**



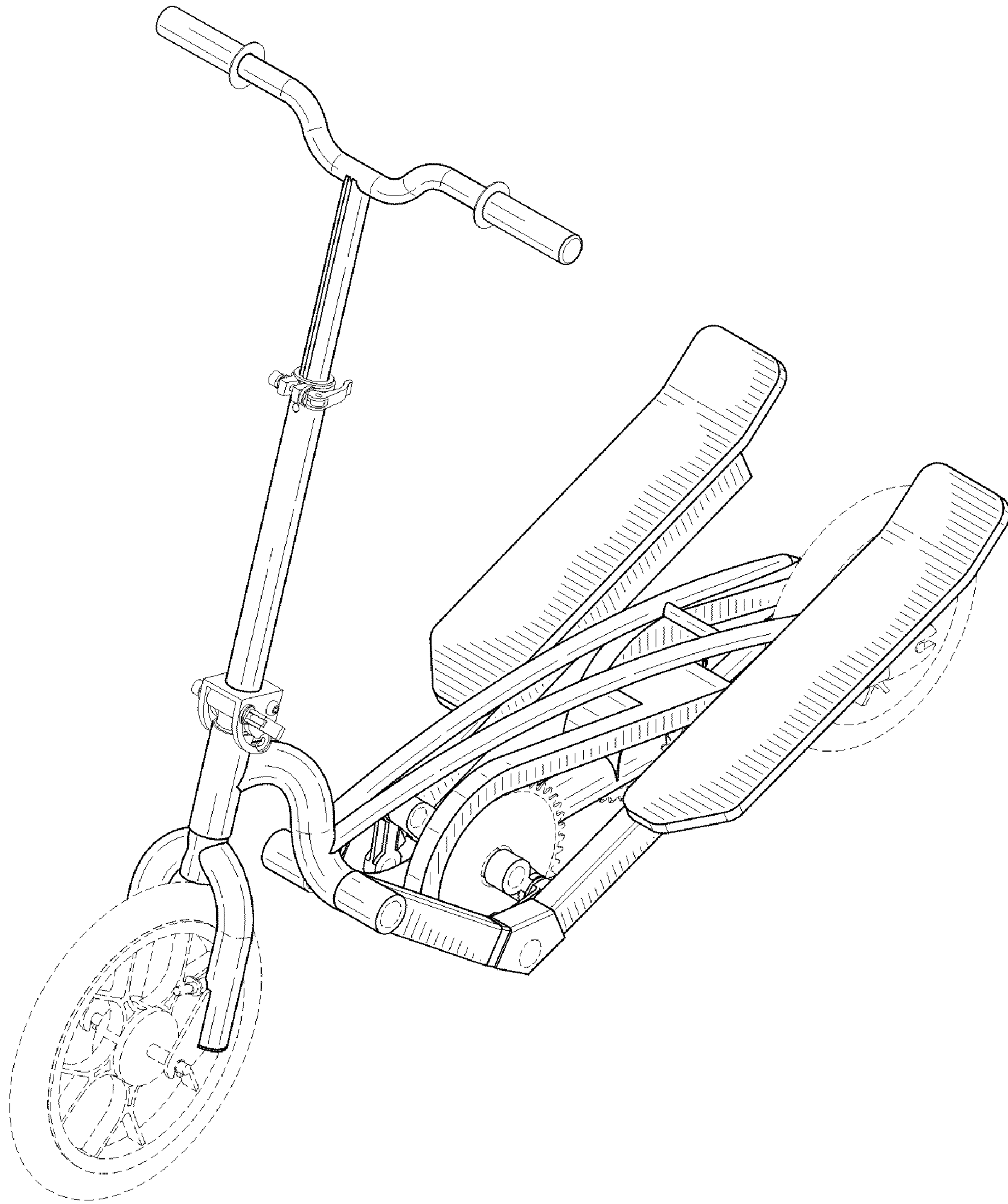


FIG-1

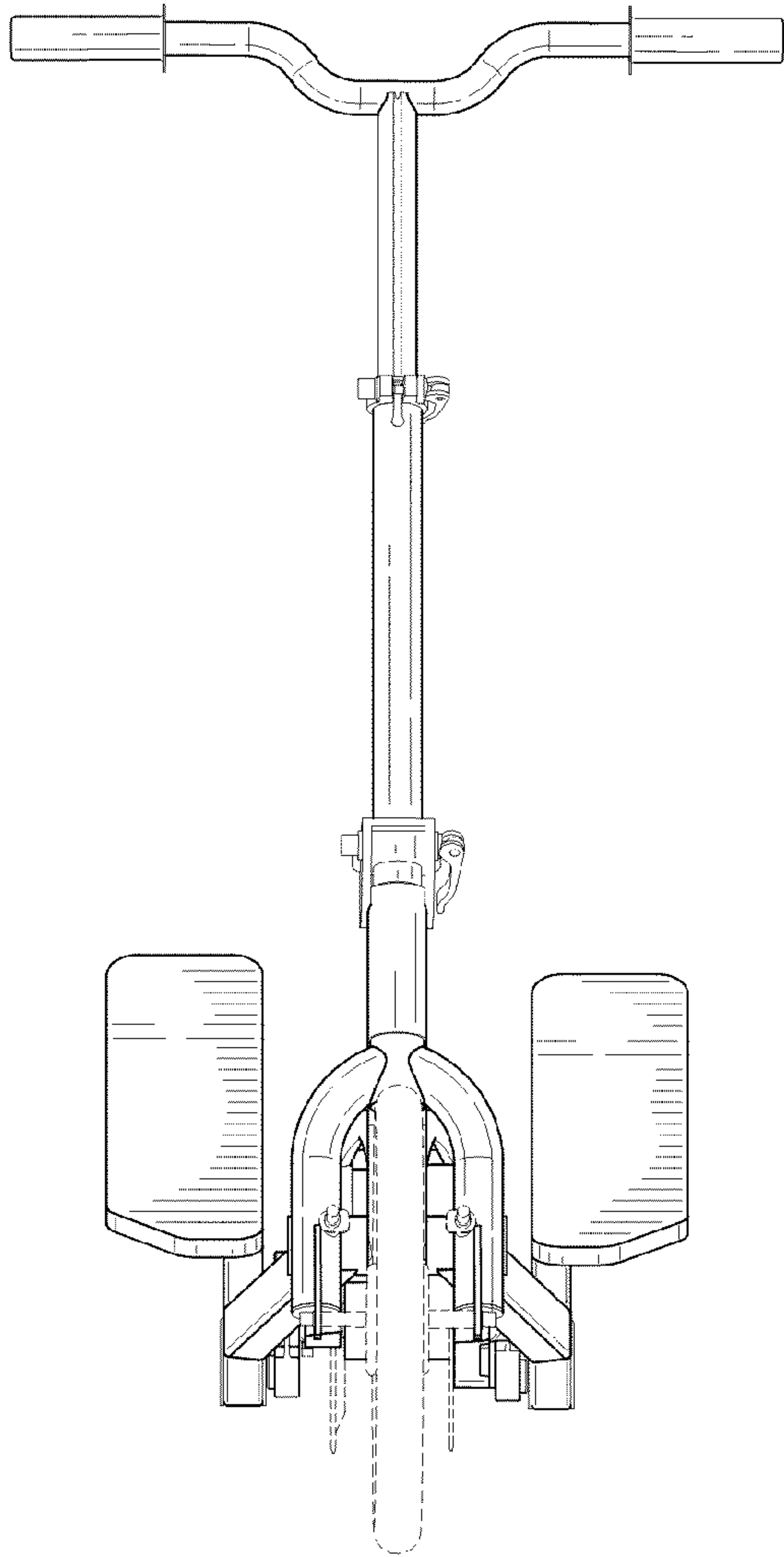


FIG-2

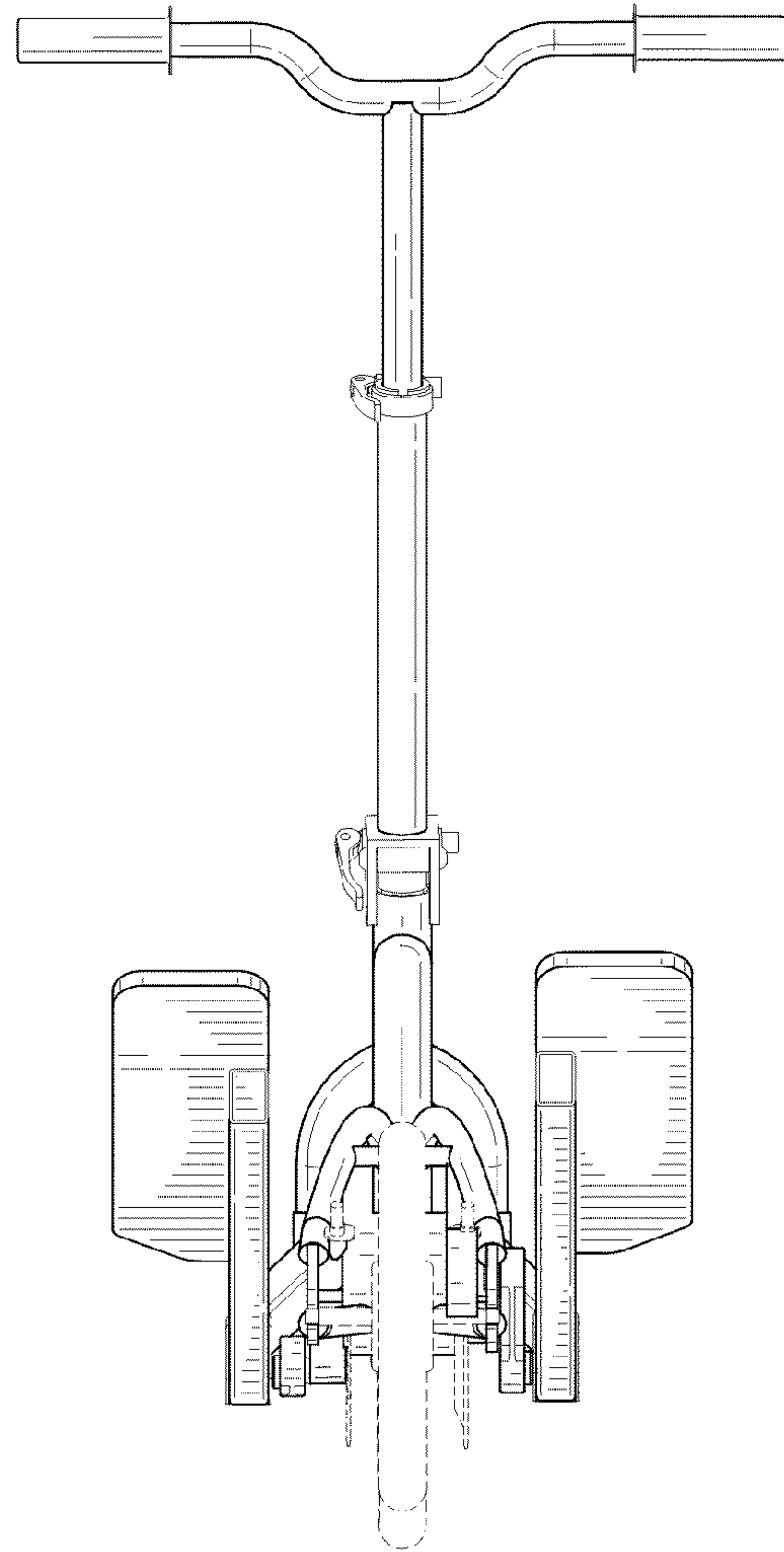


FIG-3

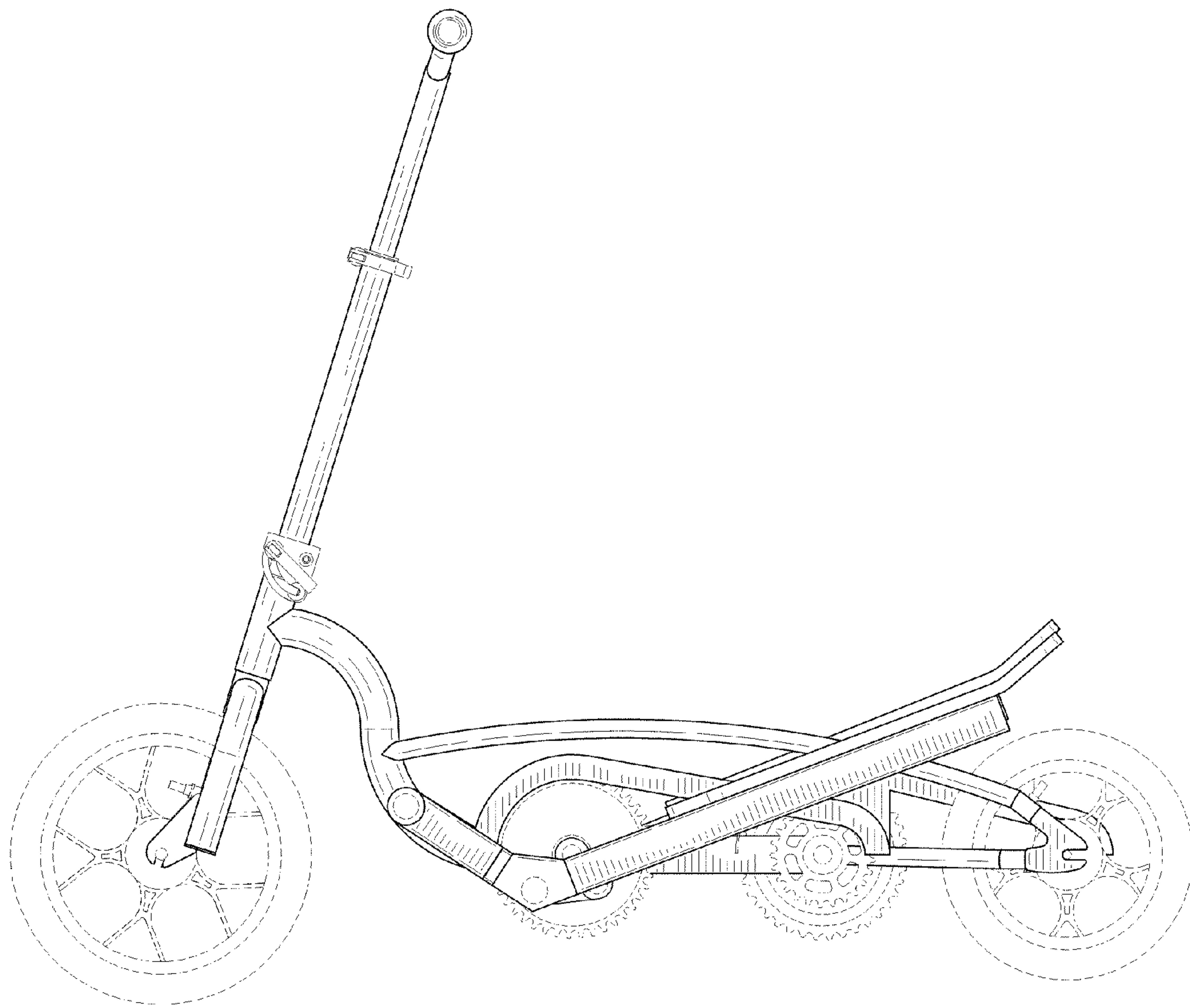


FIG-4



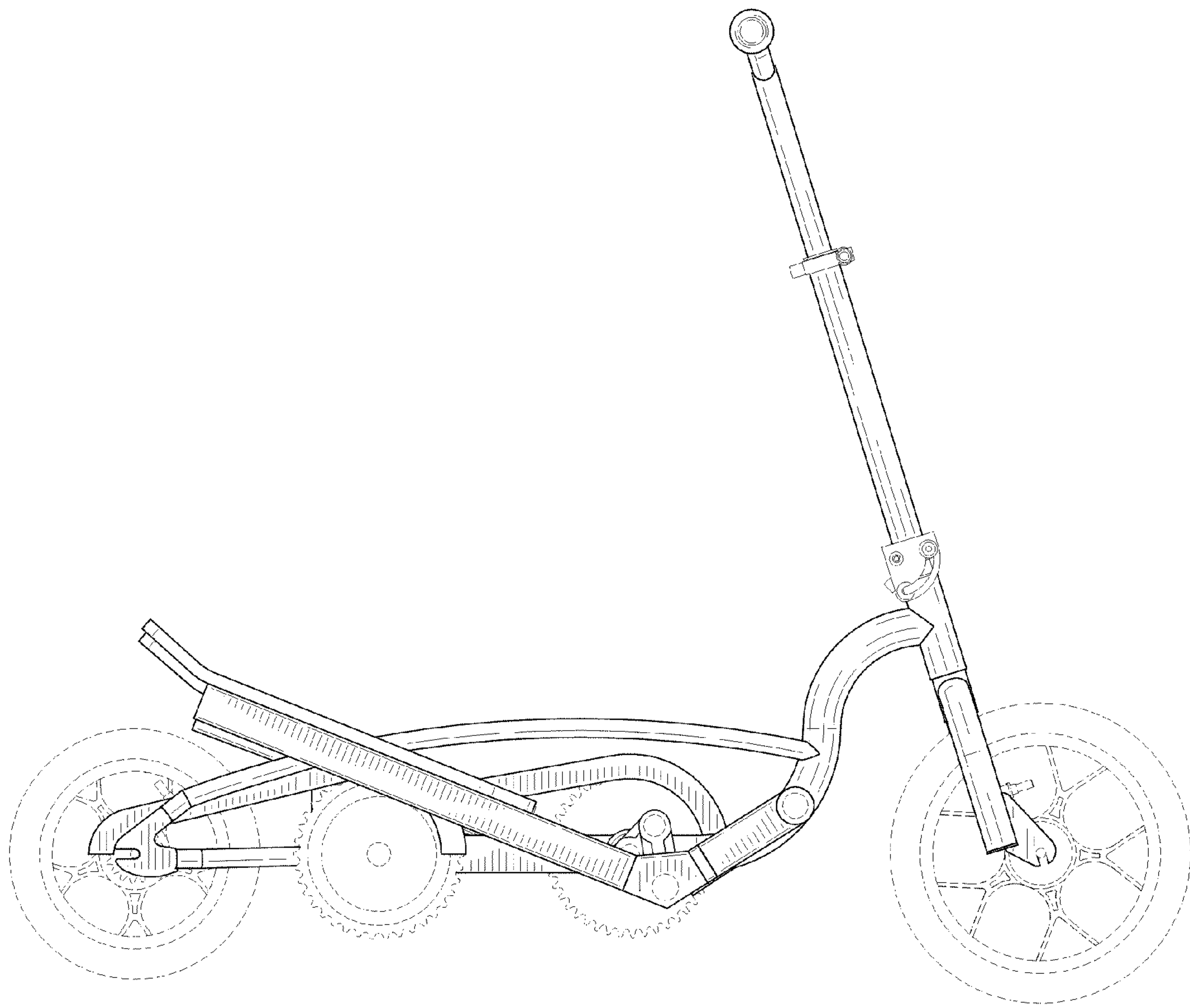


FIG-5

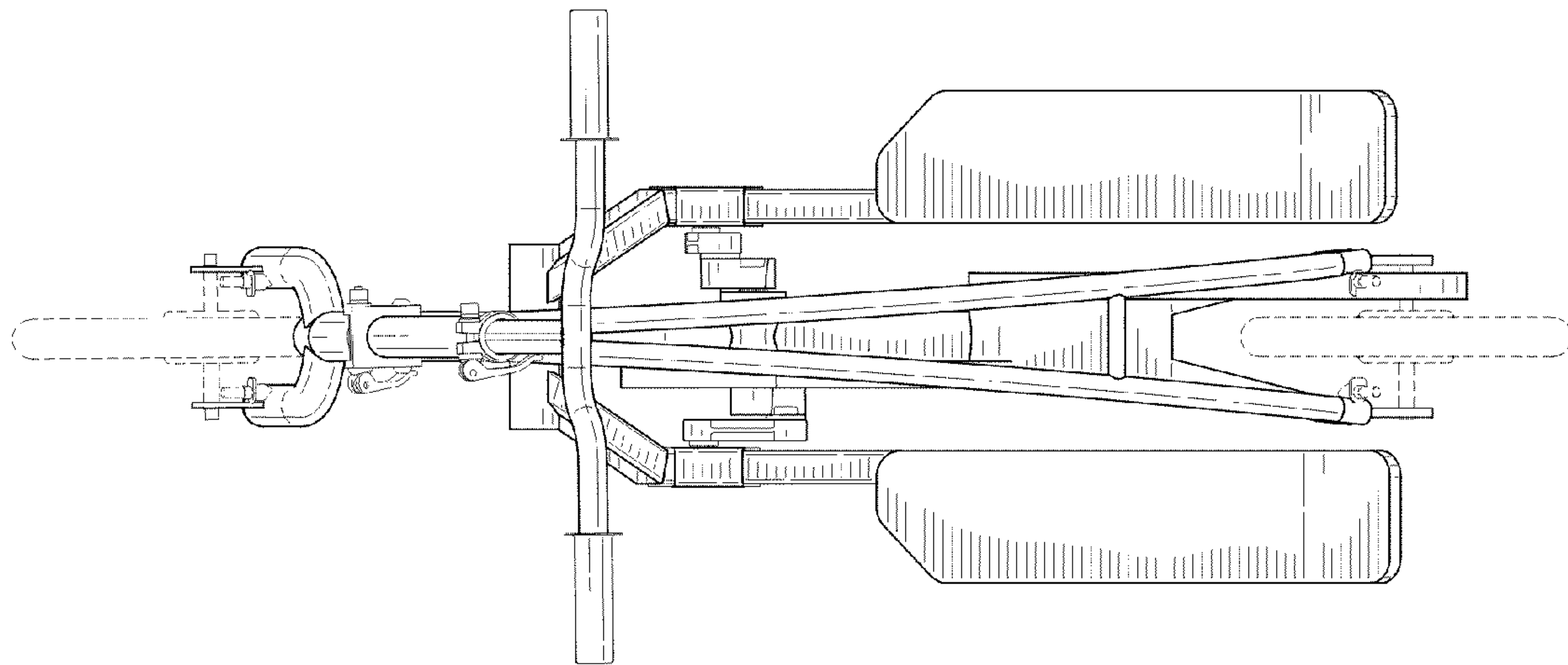


FIG-6

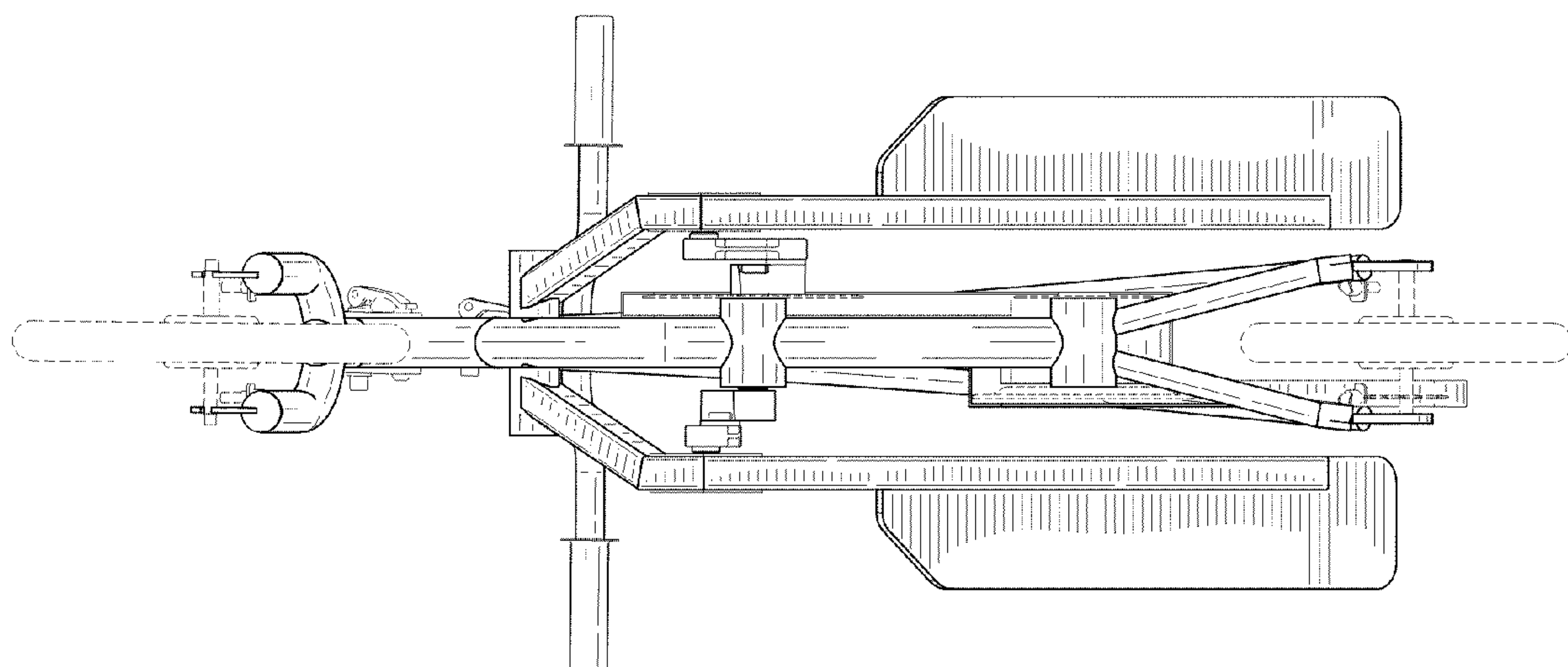


FIG-7

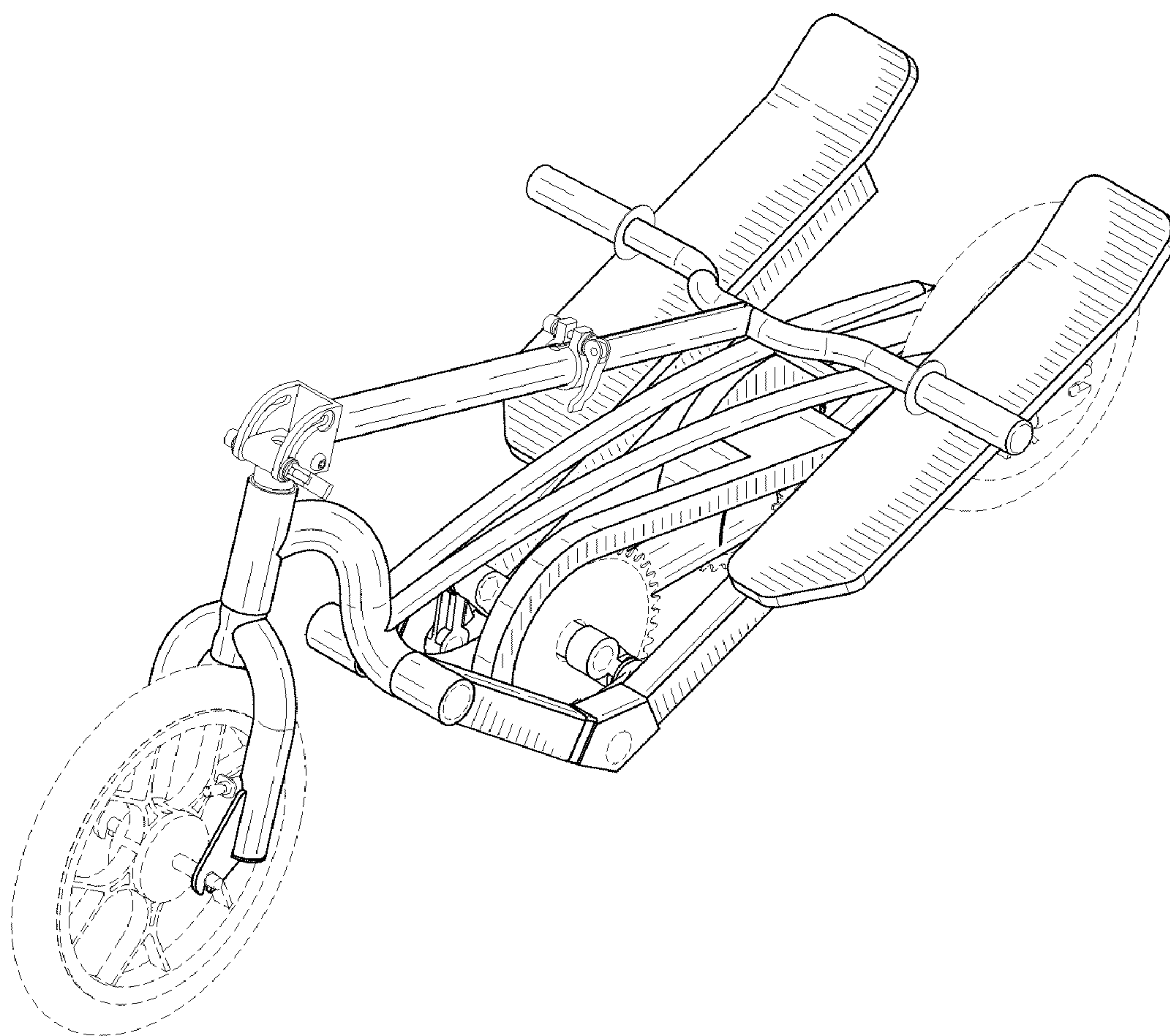


FIG-8