



US00D638479S

(12) **United States Design Patent**  
**Verstraeten**

(10) **Patent No.:** **US D638,479 S**

(45) **Date of Patent:** **\*\* May 24, 2011**

(54) **PORTION OF A GAME CABINET**

(75) **Inventor:** **Eric Verstraeten, Sint-Niklaas (BE)**

(73) **Assignee:** **Elaut N.V., Sint-Niklaas (BE)**

(\*\*) **Term:** **14 Years**

(21) **Appl. No.:** **29/354,514**

(22) **Filed:** **Jan. 25, 2010**

(51) **LOC (9) Cl.** ..... **21-01**

(52) **U.S. Cl.** ..... **D21/333; D21/325**

(58) **Field of Classification Search** ..... D21/325,  
D21/329, 369, 811; D20/1-9; 273/148 B,  
273/447, 448, 460, 461; 463/46, 47, 7, 25;  
221/75, 133, 155, 212, 282-286, 312 A, 312 C  
See application file for complete search history.

(56) **References Cited**

**U.S. PATENT DOCUMENTS**

D96,564 S *	8/1935	Simkins	.....	D21/325
5,397,134 A *	3/1995	Fishman et al.	.....	463/25
5,549,372 A *	8/1996	Lewis	.....	312/114
5,558,340 A *	9/1996	Ibe et al.	.....	273/448
5,855,374 A *	1/1999	Shoemaker, Jr.	.....	273/447
D429,768 S *	8/2000	Smart	.....	D21/325
D433,716 S *	11/2000	Robrahn et al.	.....	D21/325

6,461,239 B1 *	10/2002	Sagawa et al.	.....	463/7
D465,810 S *	11/2002	Bartholomew et al.	.....	D20/1
D596,677 S *	7/2009	Tsuda	.....	D21/325
D604,774 S *	11/2009	De Viveiros Ortiz	.....	D21/325
D619,177 S *	7/2010	Lee	.....	D21/325

\* cited by examiner

*Primary Examiner* — Prabhakar Deshmukh

(74) *Attorney, Agent, or Firm* — Graham Curtin, PA

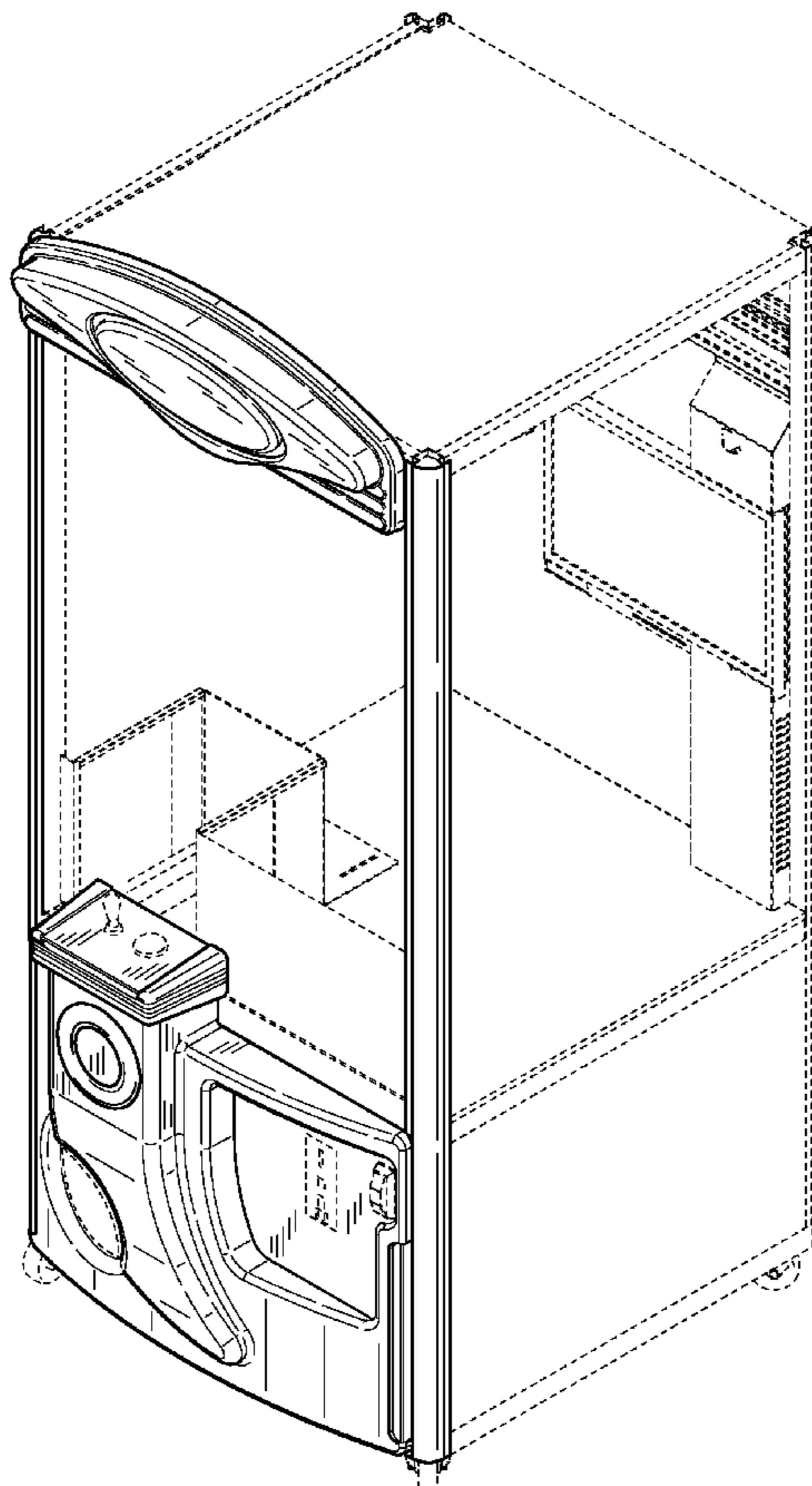
(57) **CLAIM**

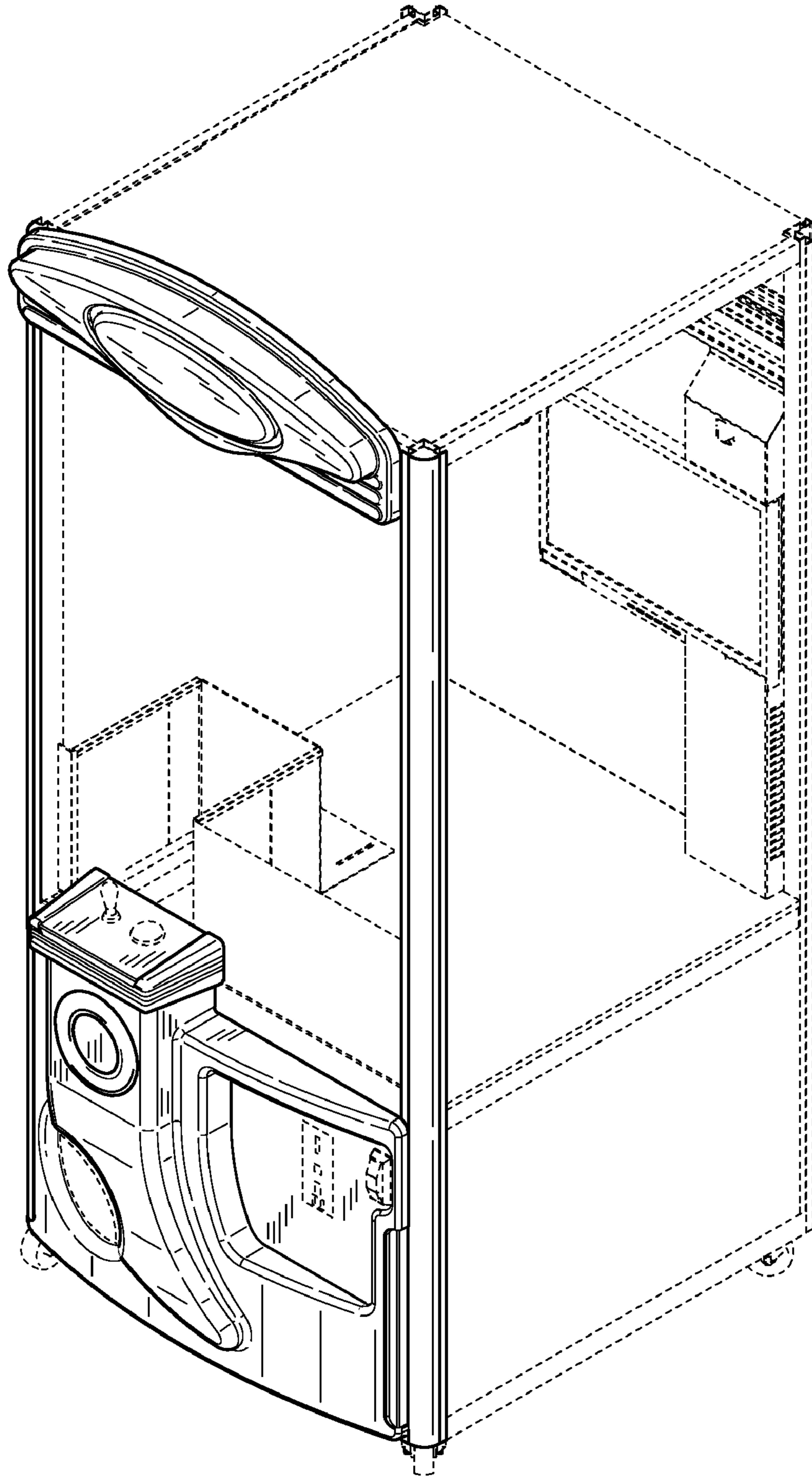
The ornamental design for a portion of a game cabinet, as shown and described.

**DESCRIPTION**

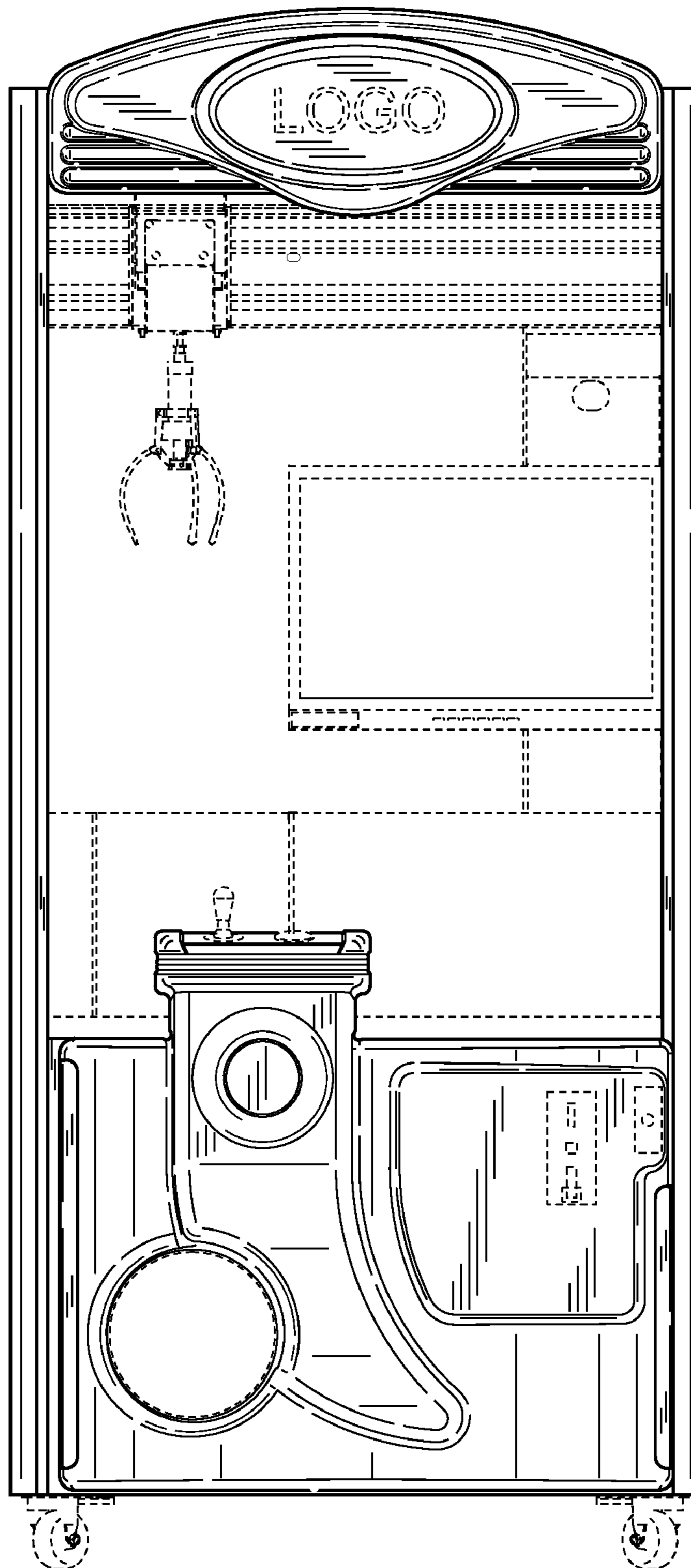
FIG. 1 is a front isometric view of one embodiment of a portion of a game cabinet showing my new design; FIG. 2 is a front elevational view thereof; FIG. 3 is a right side elevation thereof; FIG. 4 is a left side elevation thereof; FIG. 5 is a front isometric view of an alternate embodiment of a portion of a game cabinet showing my new design; FIG. 6 is a front elevational view thereof; FIG. 7 is a right side elevation thereof; and, FIG. 8 is a left side elevation thereof. The broken lines are for illustrative purposes only and form no part of the claimed design.

**1 Claim, 8 Drawing Sheets**





**FIG. 1**



**FIG. 2**

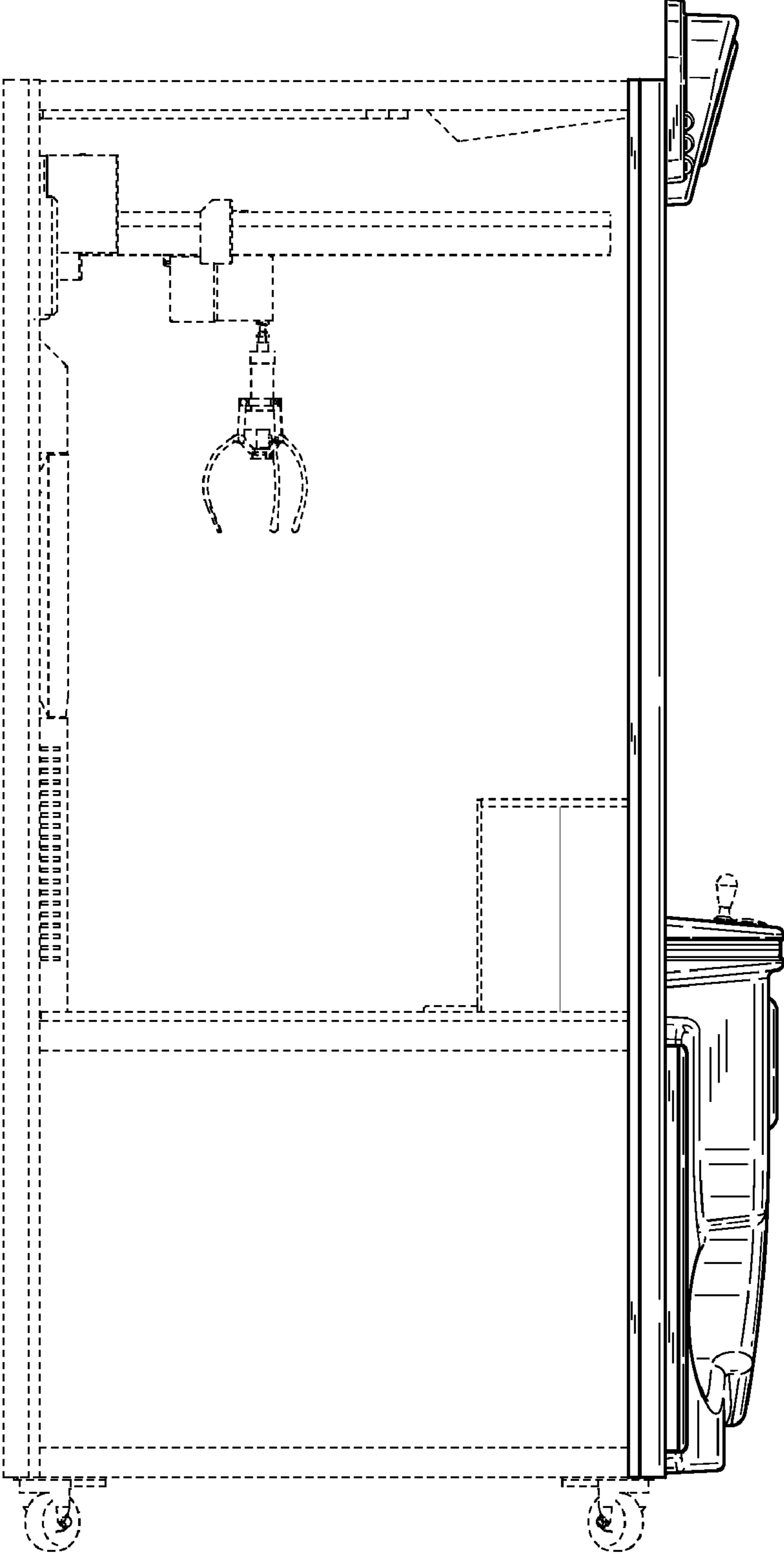
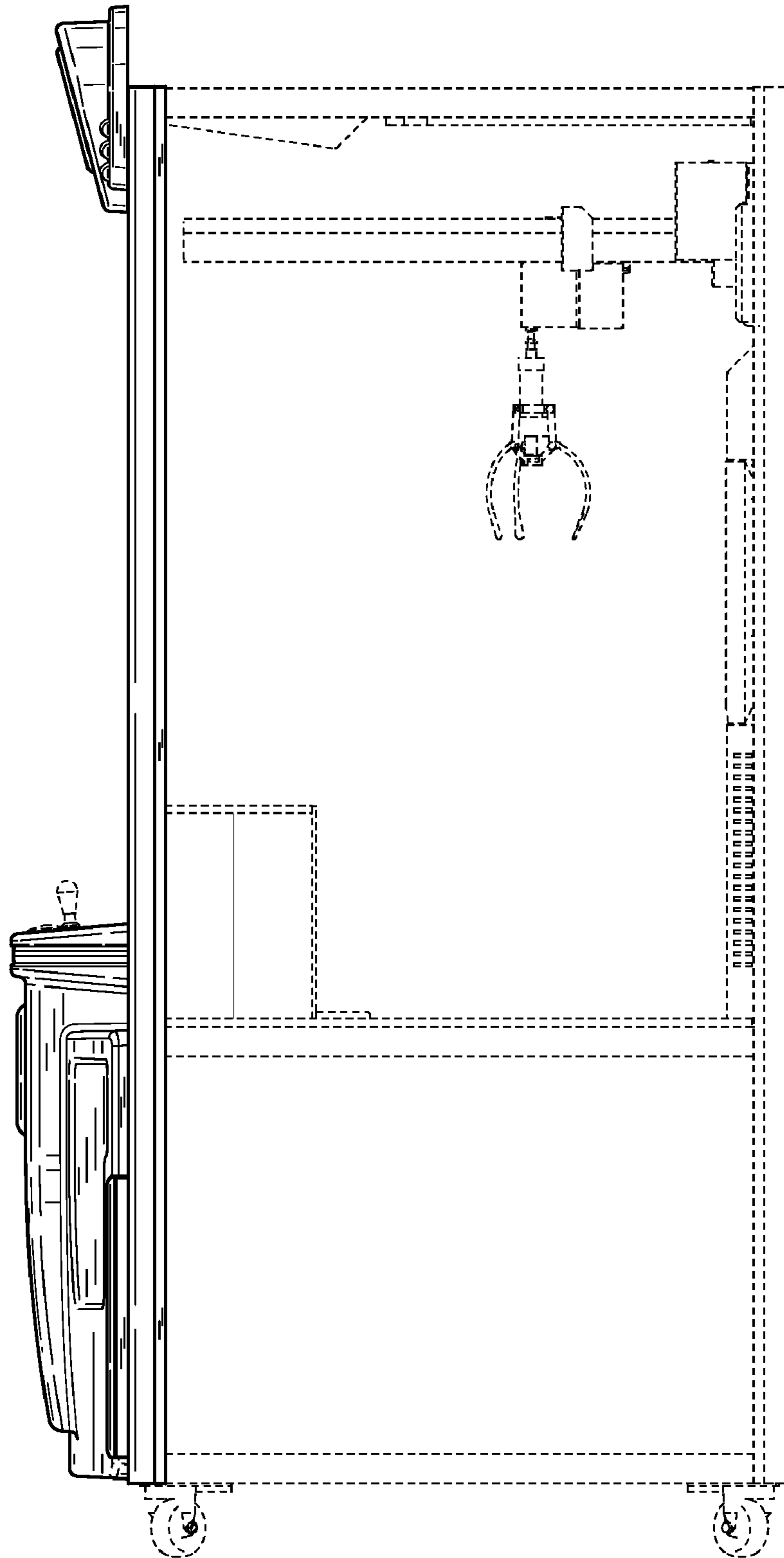
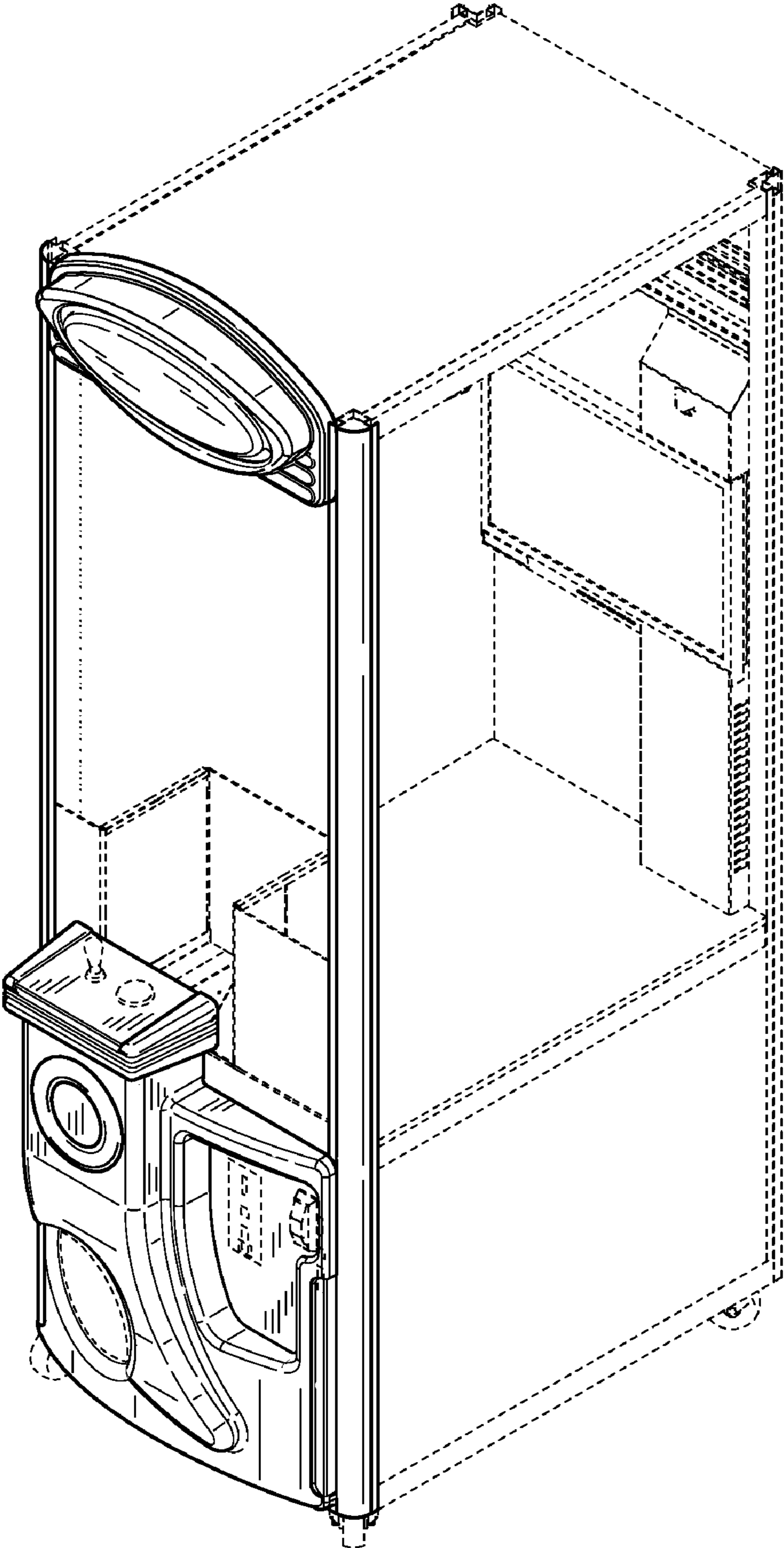


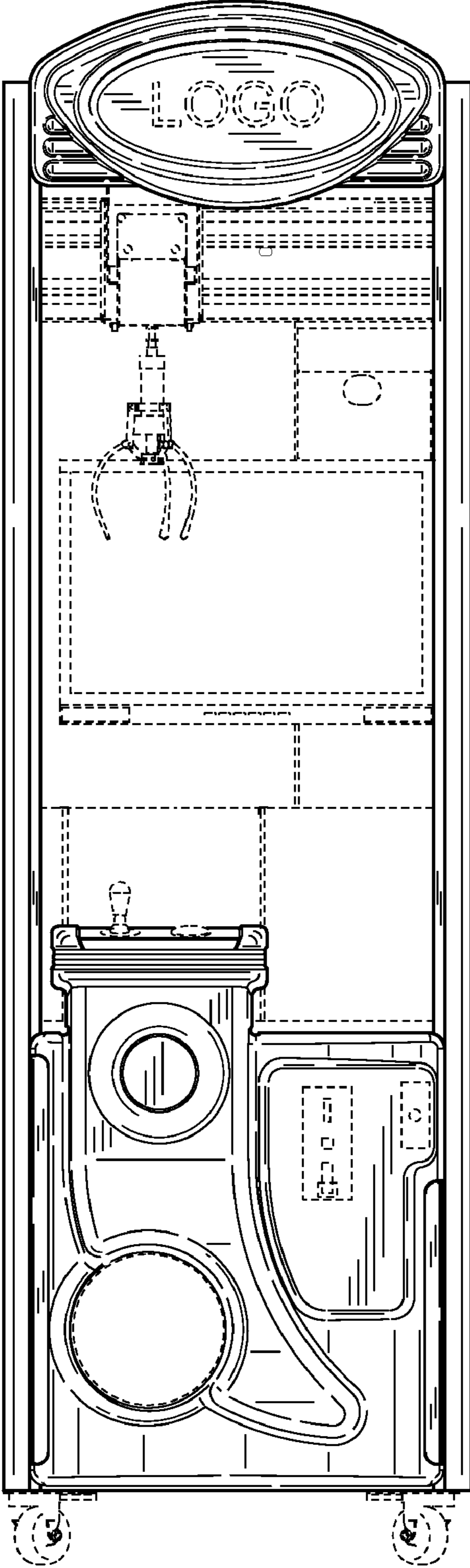
FIG. 3



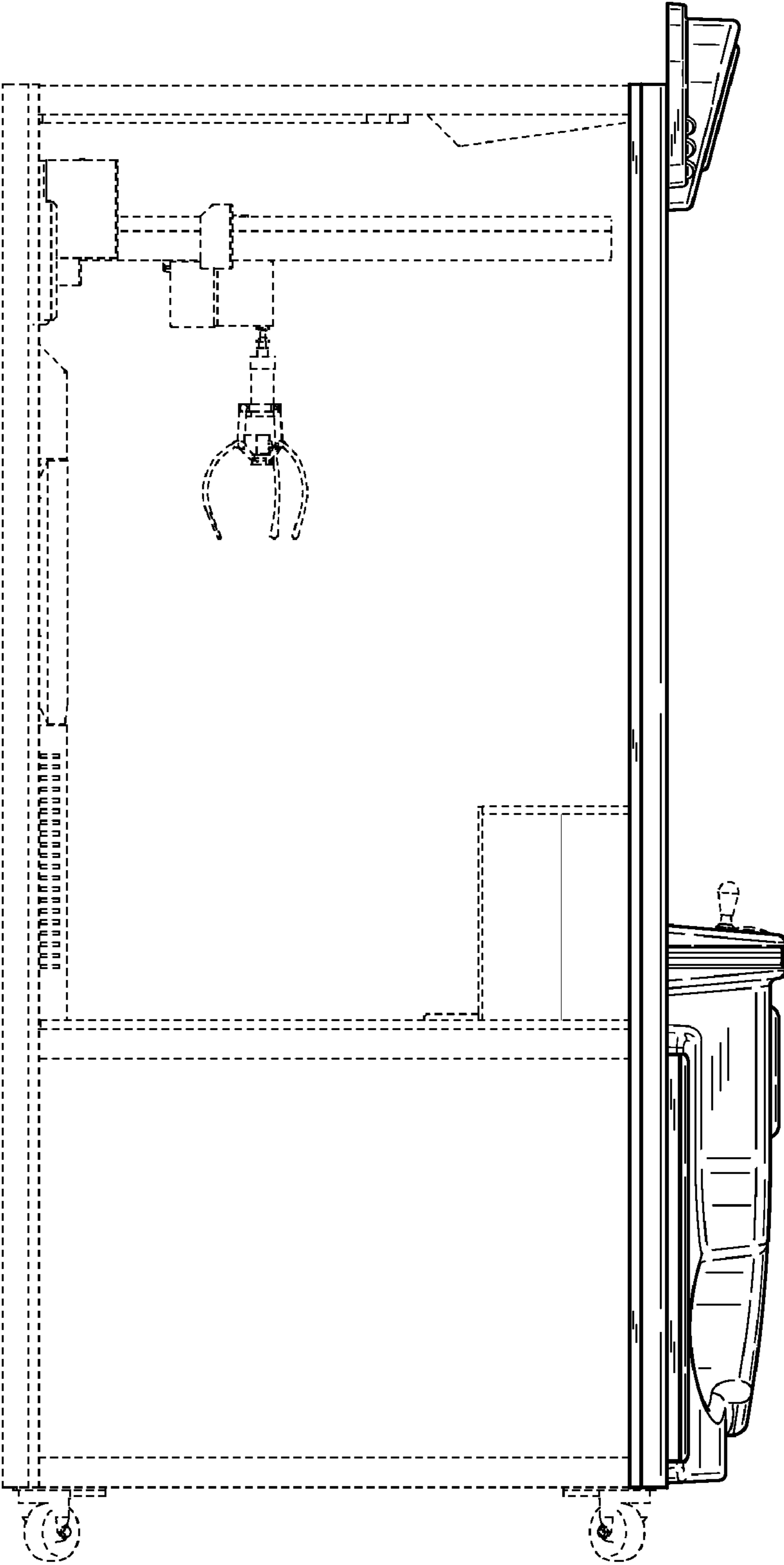
**FIG. 4**



**FIG. 5**

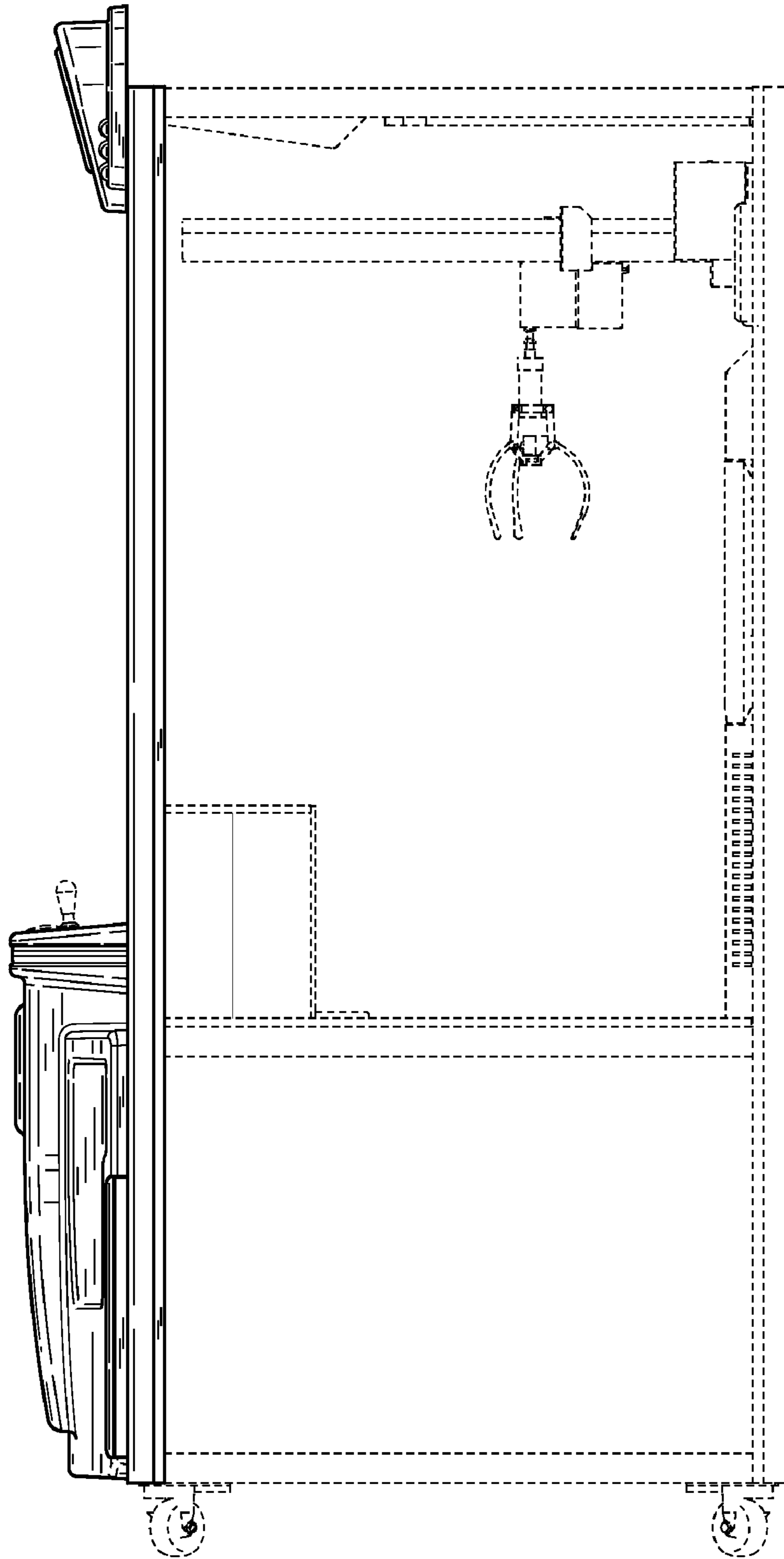


**FIG. 6**



**FIG. 7**





*FIG. 8*