



US00D638478S

(12) **United States Design Patent**
Block

(10) **Patent No.:** **US D638,478 S**

(45) **Date of Patent:** **** May 24, 2011**

(54) **VIDEO GAME CONTROLLER ACCESSORY**

D555,589 S * 11/2007 Hussaini et al. D13/108
D568,882 S * 5/2008 Ashida et al. D14/400
D575,350 S * 8/2008 Ashida et al. D21/333

(75) Inventor: **Gerard Lambert Block**, West
Hollywood, CA (US)

* cited by examiner

(73) Assignee: **Performance Designed Products LLC**,
Sherman Oaks, CA (US)

Primary Examiner — Prabhakar Deshmukh

(74) *Attorney, Agent, or Firm* — Sheppard Mullin Richter &
Hampton LLP

(**) Term: **14 Years**

(57) **CLAIM**

(21) Appl. No.: **29/339,709**

We claim the ornamental design for a video game controller
accessory, as shown and described.

(22) Filed: **Jul. 6, 2009**

DESCRIPTION

(51) **LOC (9) Cl.** **21-01**

(52) **U.S. Cl.** **D21/333**

(58) **Field of Classification Search** D21/324–333;
D14/496, 432, 433, 346; 273/148 B; 463/1,
463/29–39, 46, 47; 345/156–161

See application file for complete search history.

FIG. 1 is a perspective view of a video game controller acces-
sory embodying the new design.

FIG. 2 is a rear view of the video game controller accessory
embodying the new design.

FIG. 3 is a front view of the video game controller accessory
embodying the new design.

FIG. 4 is a top view of the video game controller accessory
embodying the new design.

FIG. 5 is a bottom view of the video game controller acces-
sory embodying the new design.

FIG. 6 is a side view of the video game controller accessory
embodying the new design; and,

FIG. 7 is another side view of the video game controller
accessory embodying the new design.

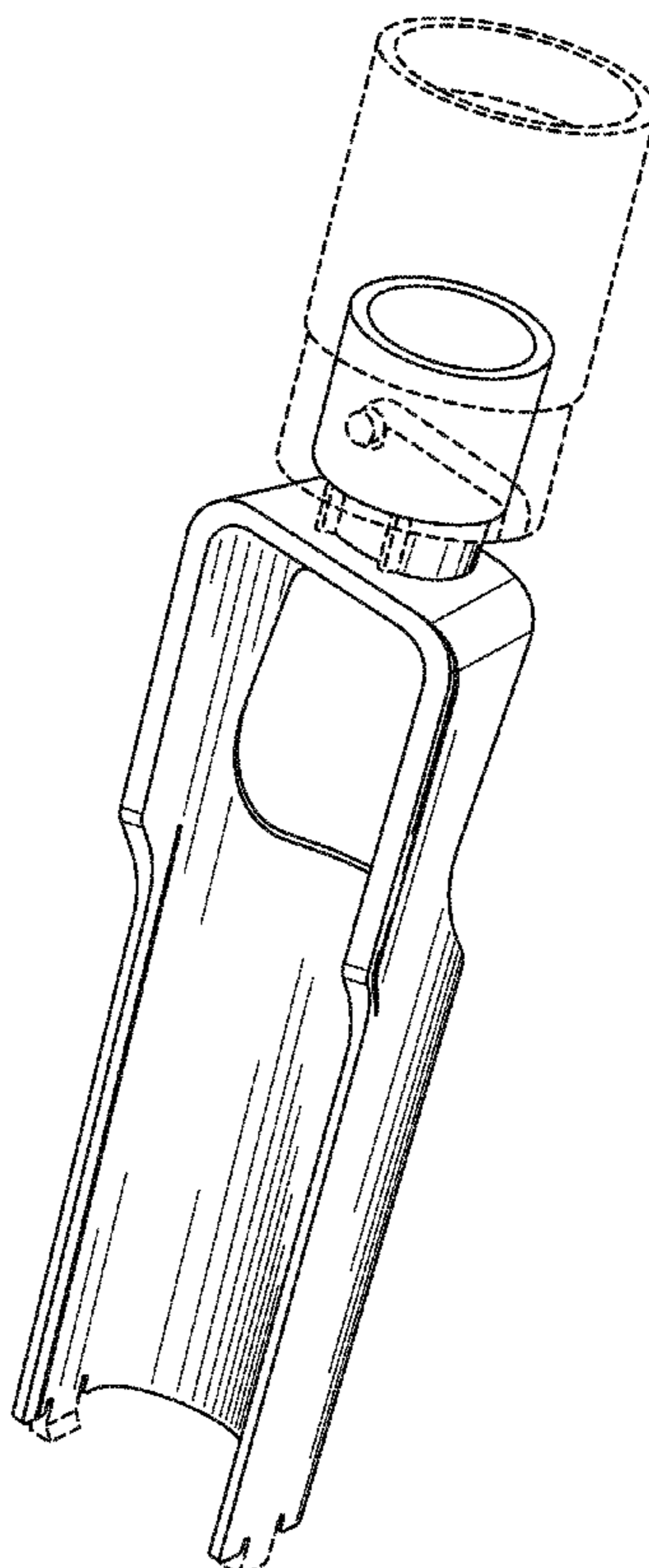
The dashed lines are for illustrative purposes only and form
no part of the claimed design.

(56) **References Cited**

U.S. PATENT DOCUMENTS

5,046,739 A * 9/1991 Reichow 273/148 B
D371,165 S * 6/1996 Stambolic et al. D21/329
5,685,776 A * 11/1997 Stambolic et al. 463/46
5,716,305 A * 2/1998 Selsam 482/93
5,893,798 A * 4/1999 Stambolic et al. 463/46
6,312,364 B1 * 11/2001 Selsam 482/93
D466,511 S * 12/2002 Croley et al. D14/434
6,647,248 B1 * 11/2003 Ortscheid et al. 455/575.1
6,735,309 B1 * 5/2004 Lemanski et al. 379/454
D555,185 S * 11/2007 Nozue et al. D16/230

1 Claim, 4 Drawing Sheets



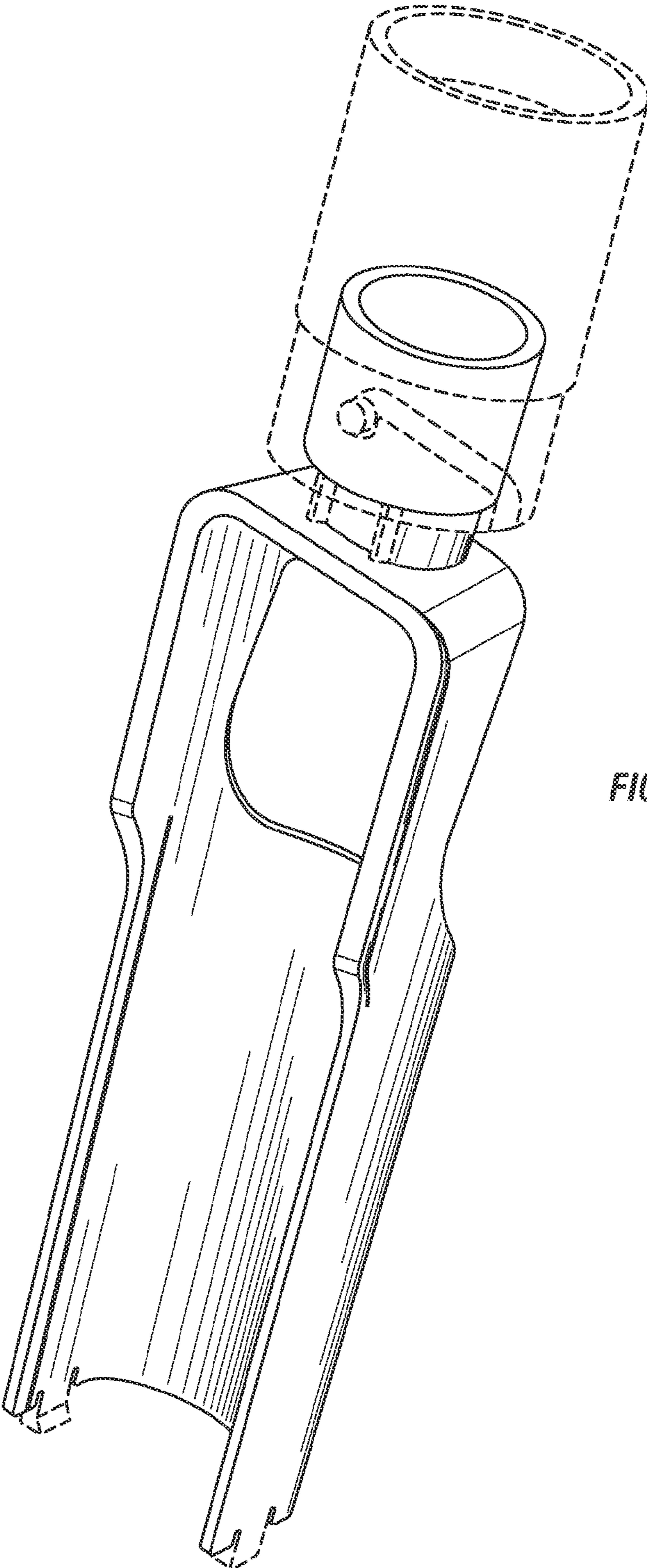


FIG. 1

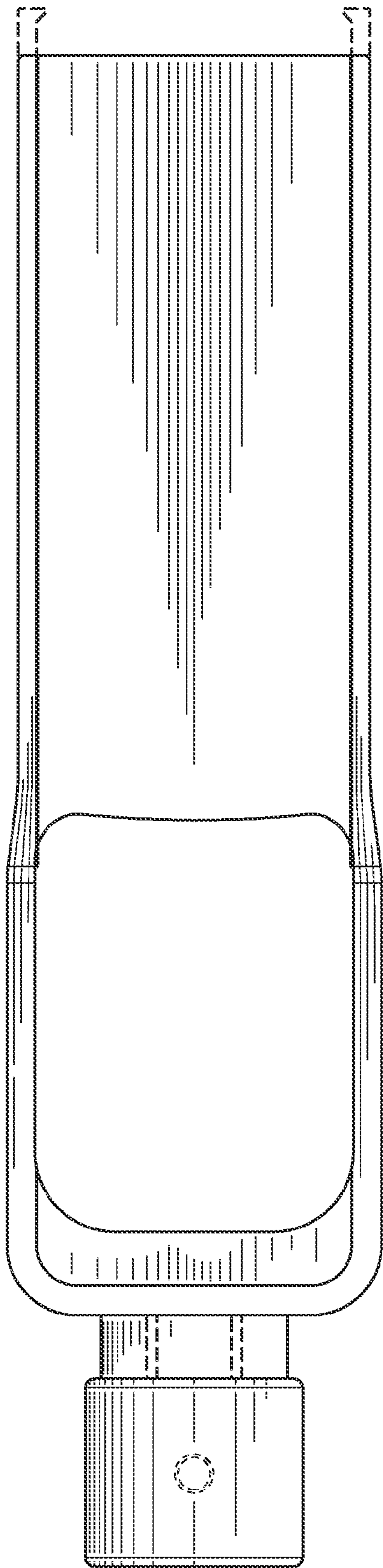


FIG. 2

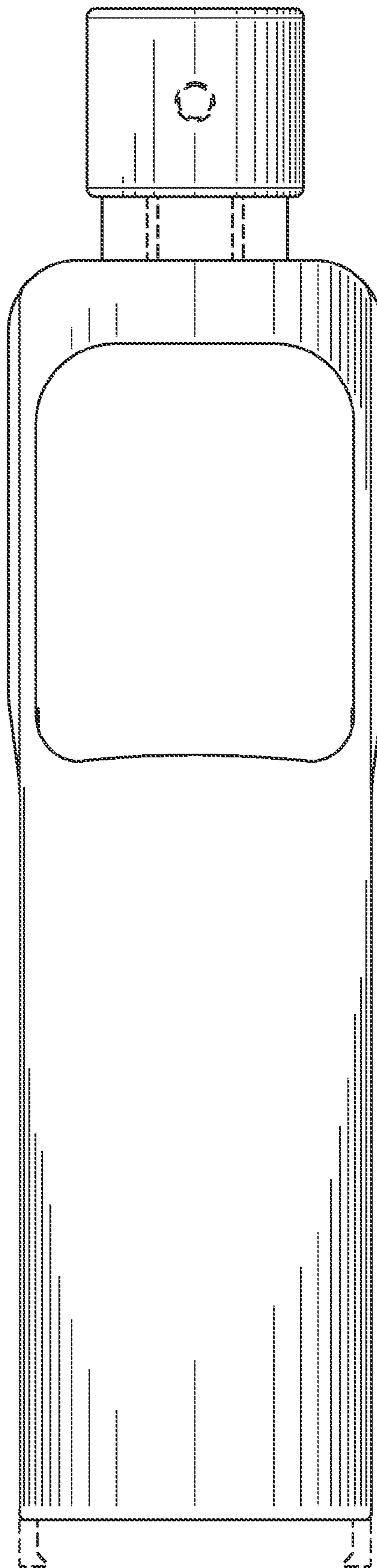


FIG. 3

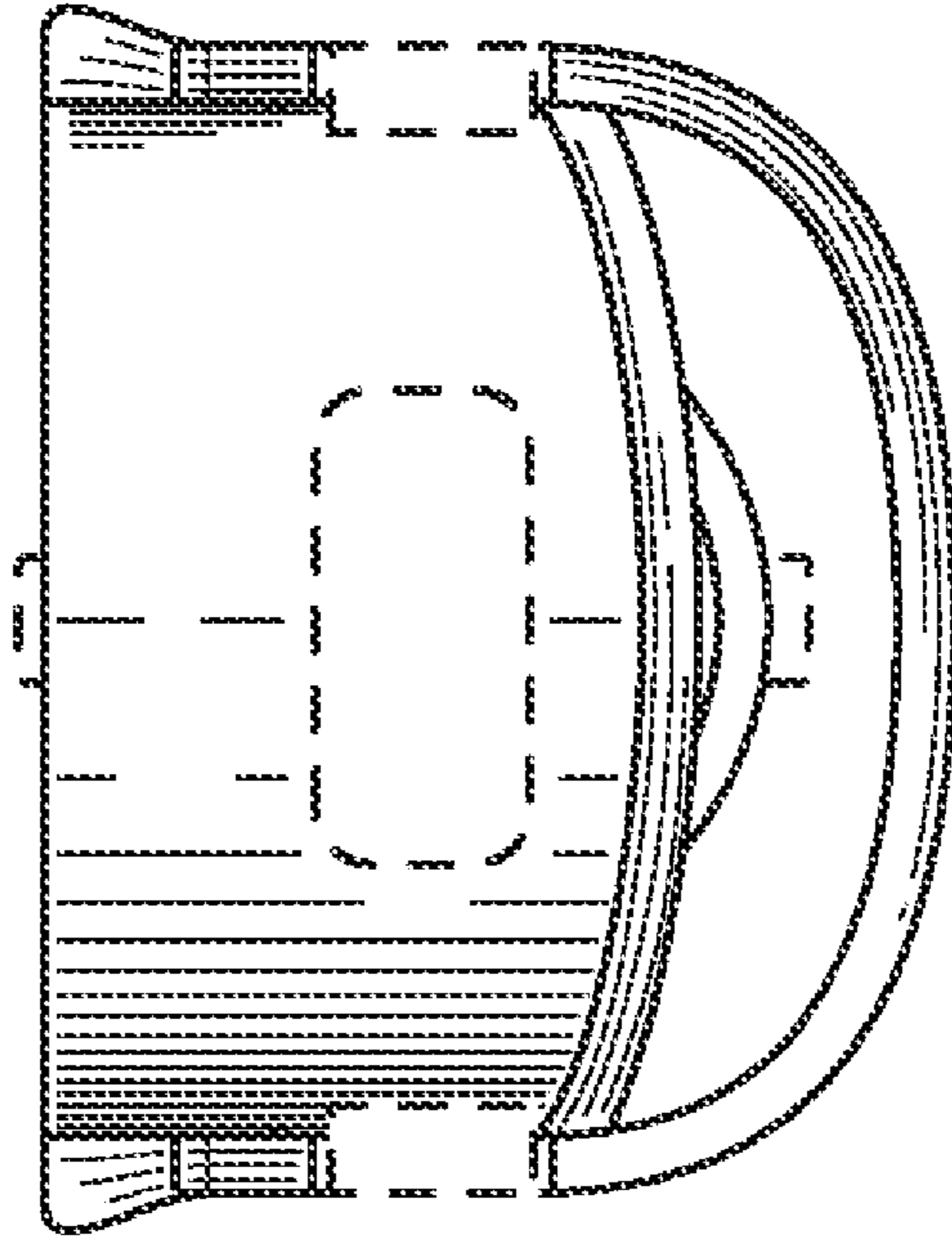


FIG. 5

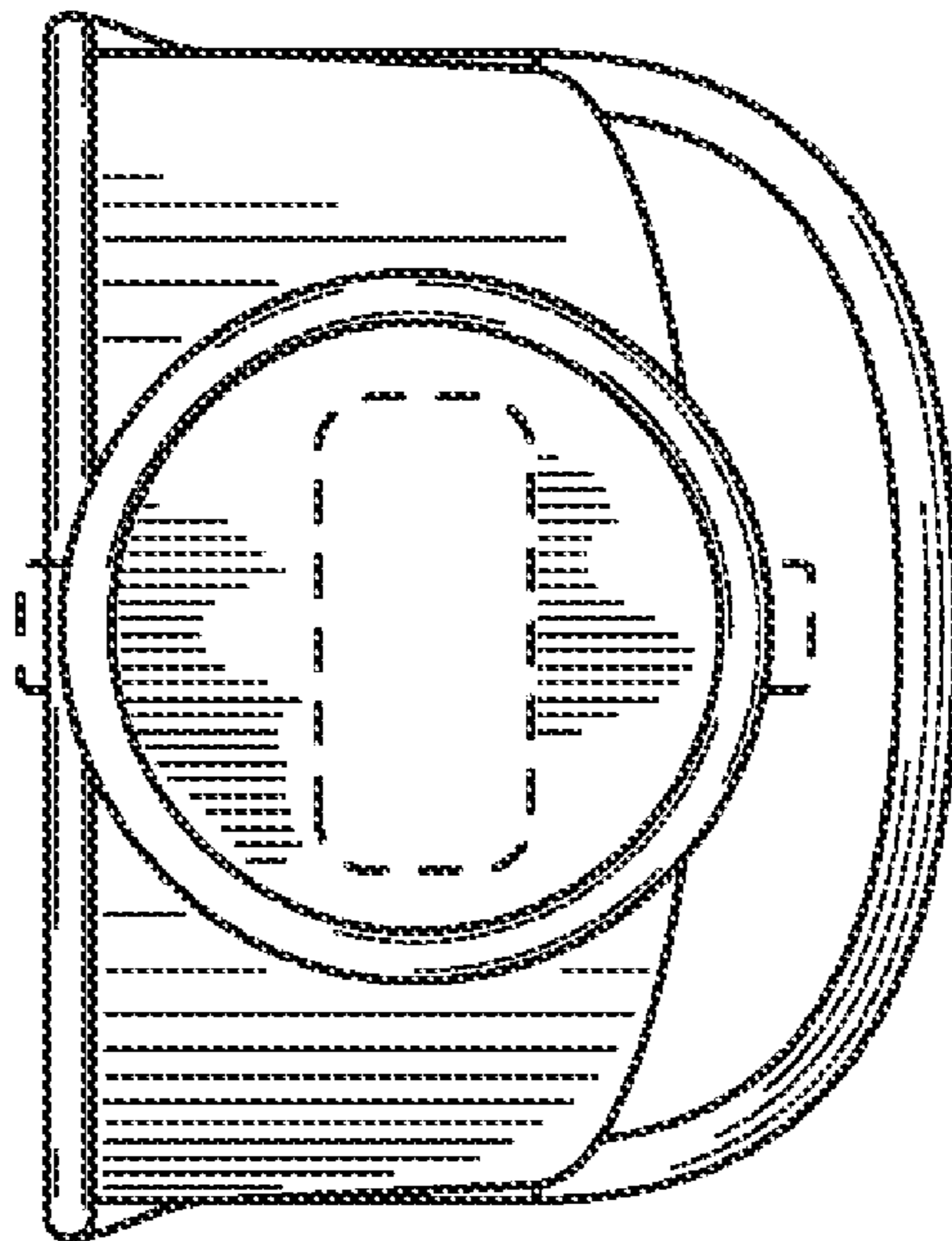


FIG. 4

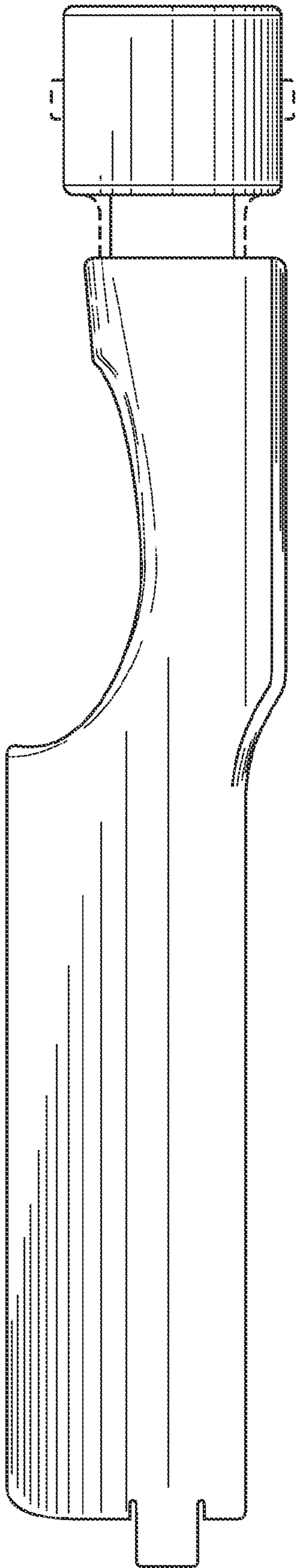


FIG. 6

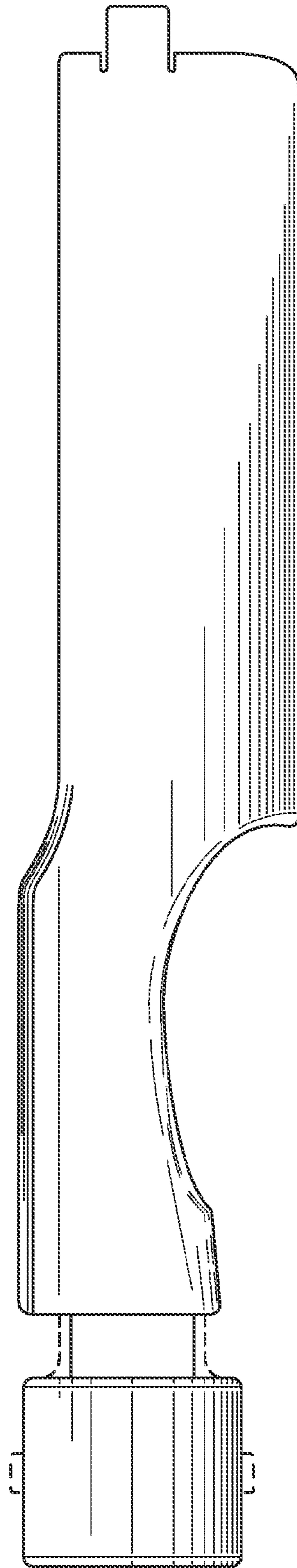


FIG. 7