



US00D638476S

(12) **United States Design Patent**
Hoffman et al.

(10) **Patent No.:** **US D638,476 S**

(45) **Date of Patent:** **** May 24, 2011**

(54) **VENDING MACHINE FOR LIQUIDS**

D400,592 S * 11/1998 Waffensmith et al. D20/8
D440,255 S * 4/2001 Dickson D20/5
D541,351 S * 4/2007 Tidman et al. D20/8

(76) Inventors: **Glenn E. Hoffman**, Tucson, AZ (US);
Sean G. Hoffman, Tucson, AZ (US)

* cited by examiner

(**) Term: **14 Years**

Primary Examiner — Mary Ann Calabrese

(21) Appl. No.: **29/360,100**

(74) *Attorney, Agent, or Firm* — Quarles & Brady LLP;
Nikia L. Gray

(22) Filed: **Apr. 20, 2010**

(57) **CLAIM**

(51) **LOC (9) Cl.** **20-01**

The ornamental design for a vending machine for liquids, as shown and described.

(52) **U.S. Cl.** **D20/1**

(58) **Field of Classification Search** D20/1-9,
D20/99; 221/10, 92, 96, 104, 124, 126, 133,
221/151, 154, 155, 194; D7/300, 301, 311;
141/351

DESCRIPTION

See application file for complete search history.

FIG. 1 is a perspective view showing Applicant's vending machine for liquids;
FIG. 2 is a front view thereof;
FIG. 3 is a rear view thereof;
FIG. 4 is a side view thereof;
FIG. 5 is a side view thereof;
FIG. 6 is a top view thereof; and,
FIG. 7 is a bottom view thereof.

(56) **References Cited**

U.S. PATENT DOCUMENTS

D195,141 S * 4/1963 Boldz D20/5
D351,965 S * 11/1994 Credle, Jr. D7/311
D358,427 S * 5/1995 Gobindram D20/1
5,507,329 A * 4/1996 Shub 141/351

1 Claim, 6 Drawing Sheets

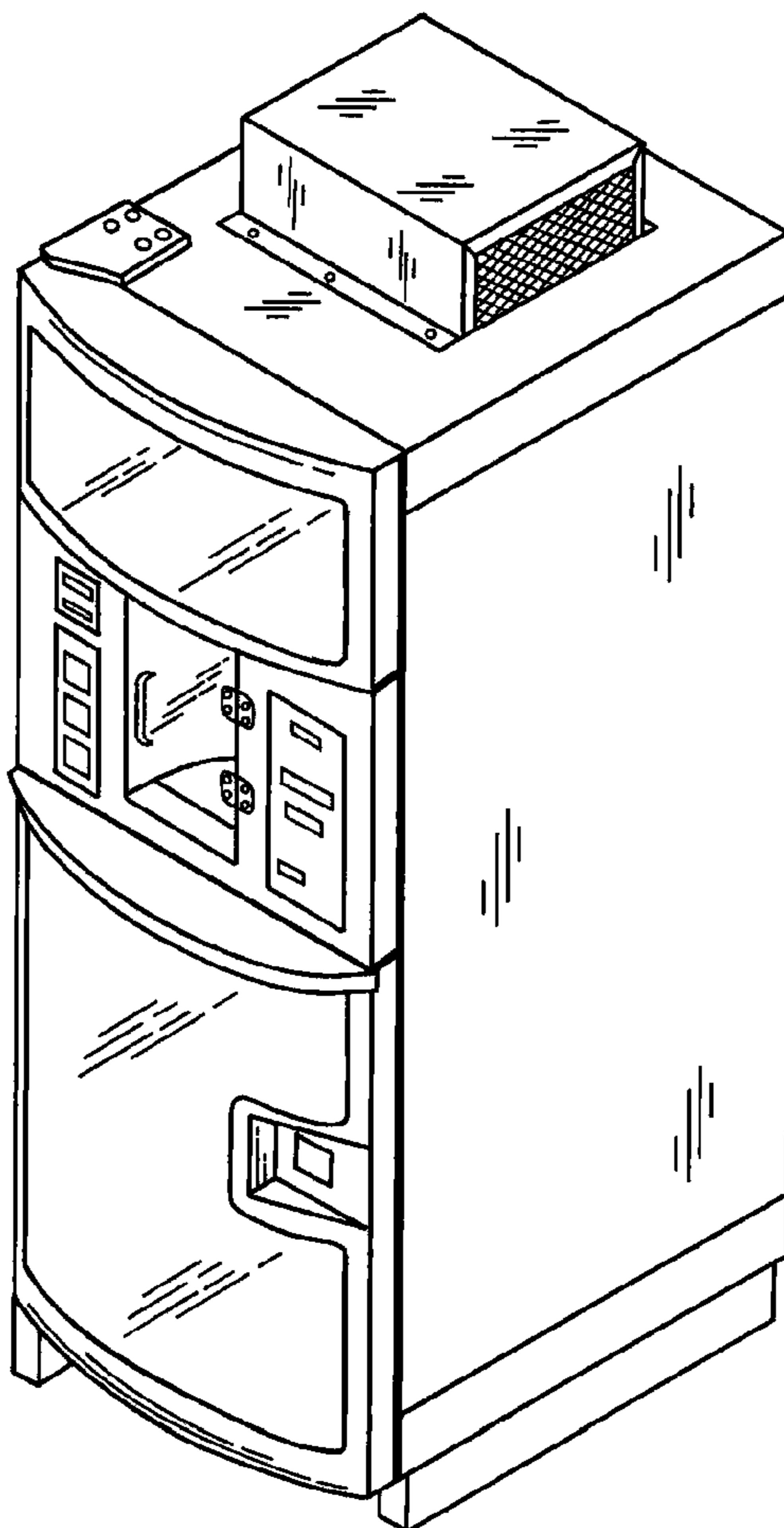


FIG. 1

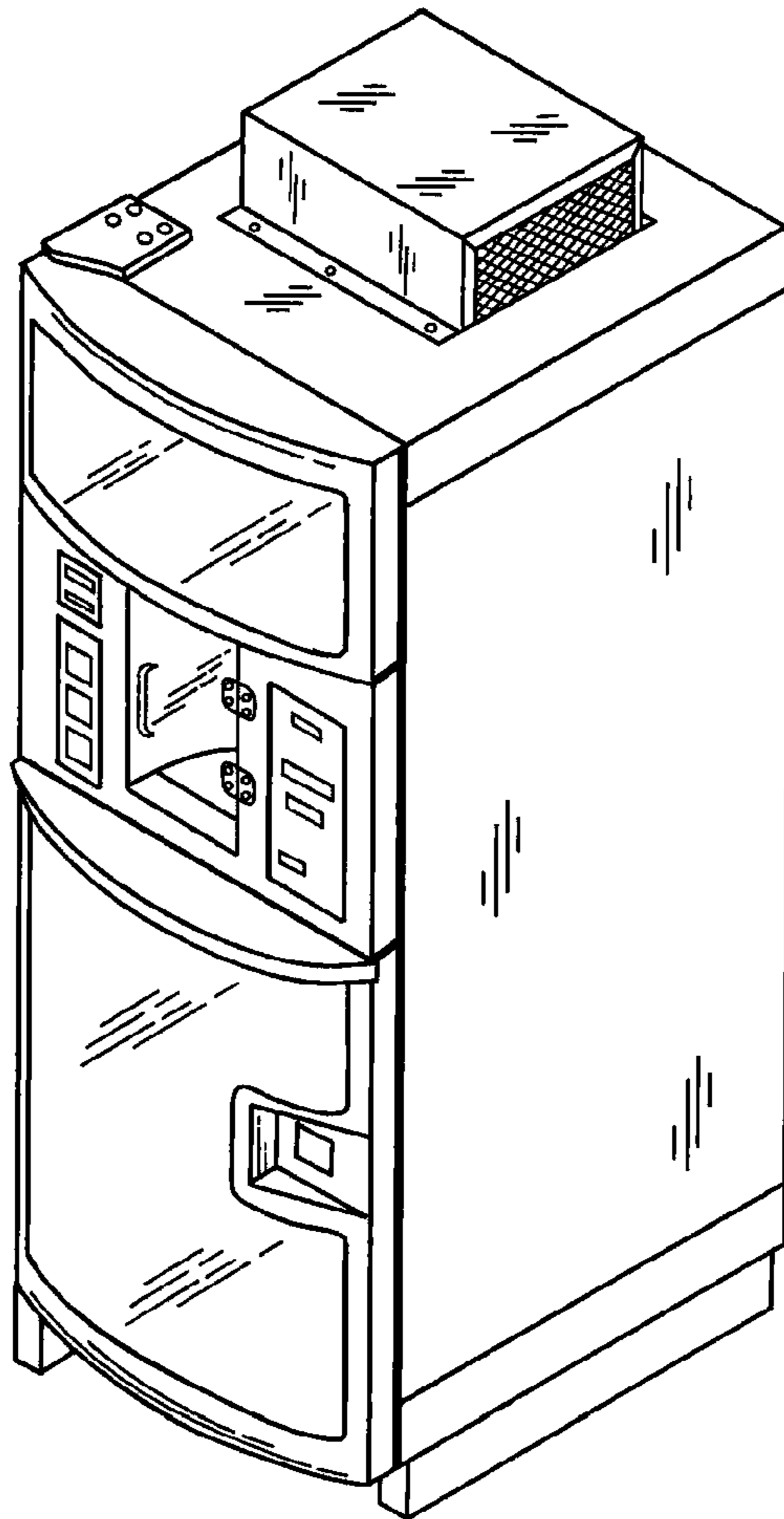


FIG. 2

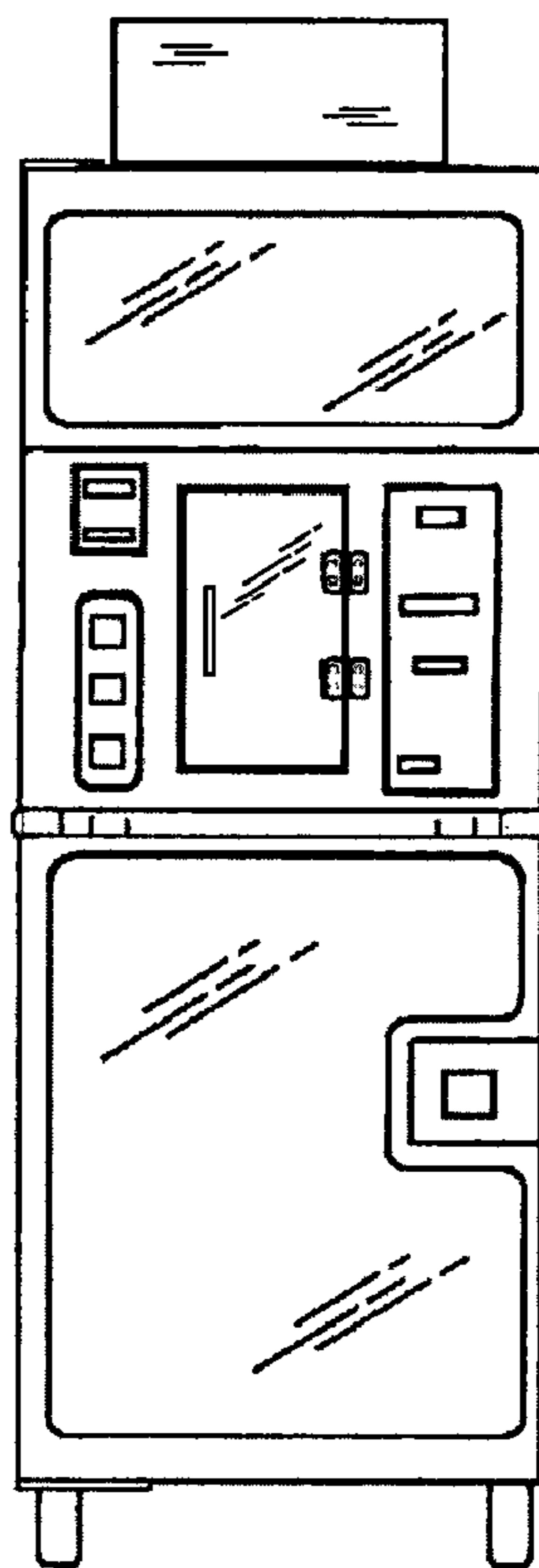


FIG. 3

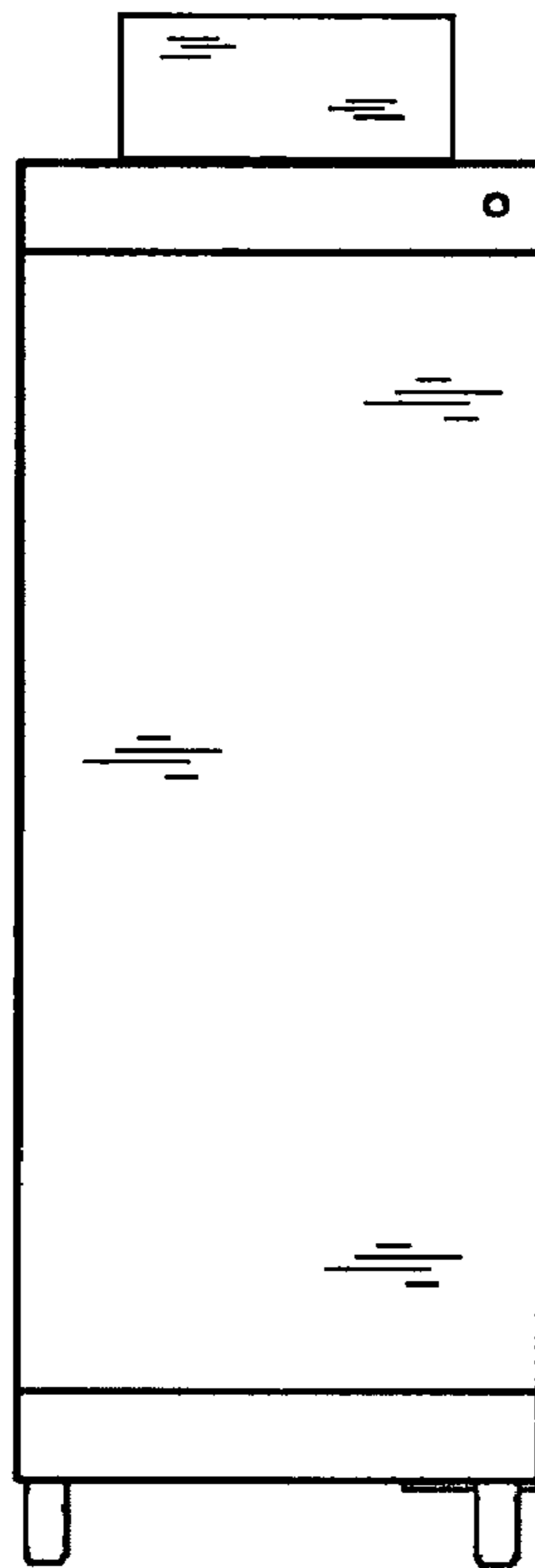


FIG. 4

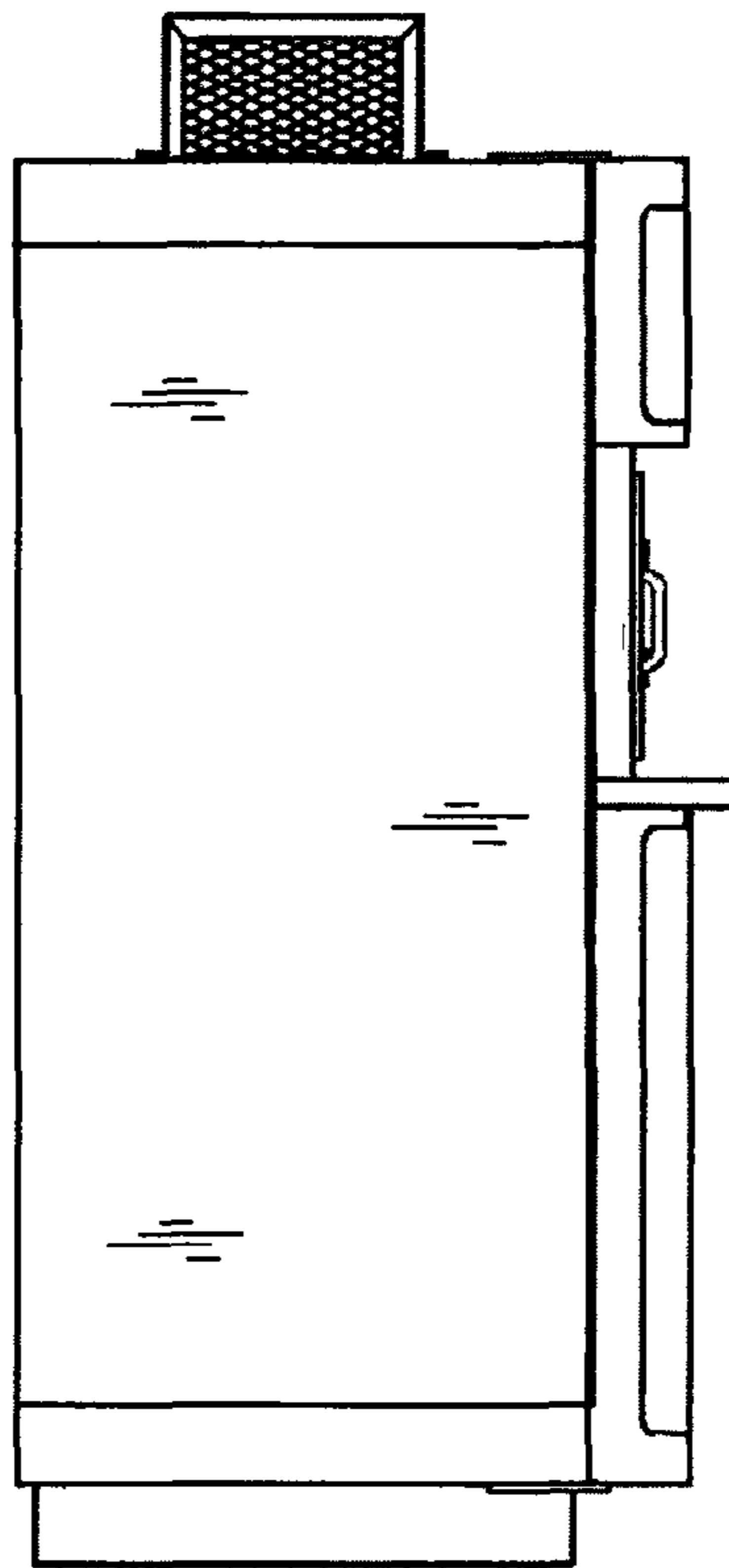


FIG. 5

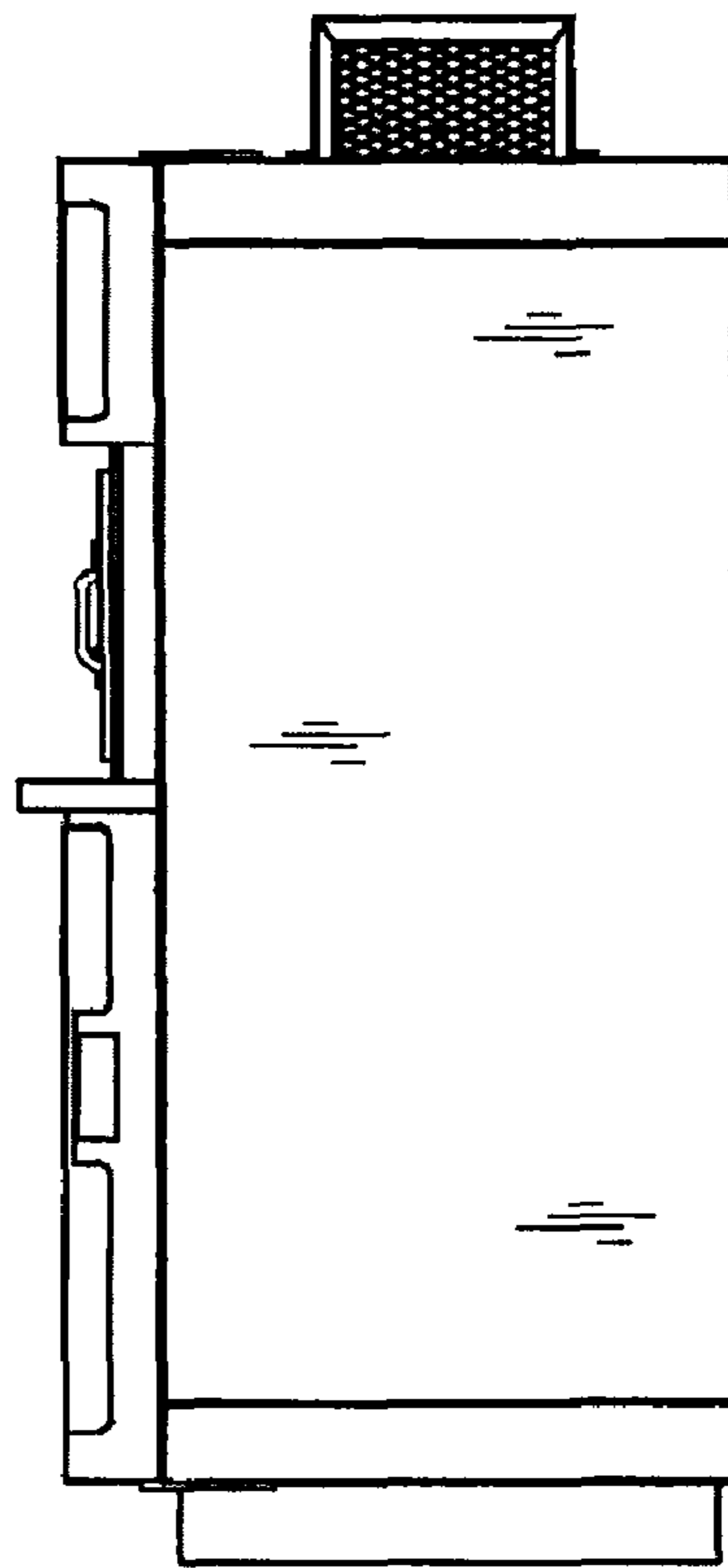


FIG. 6

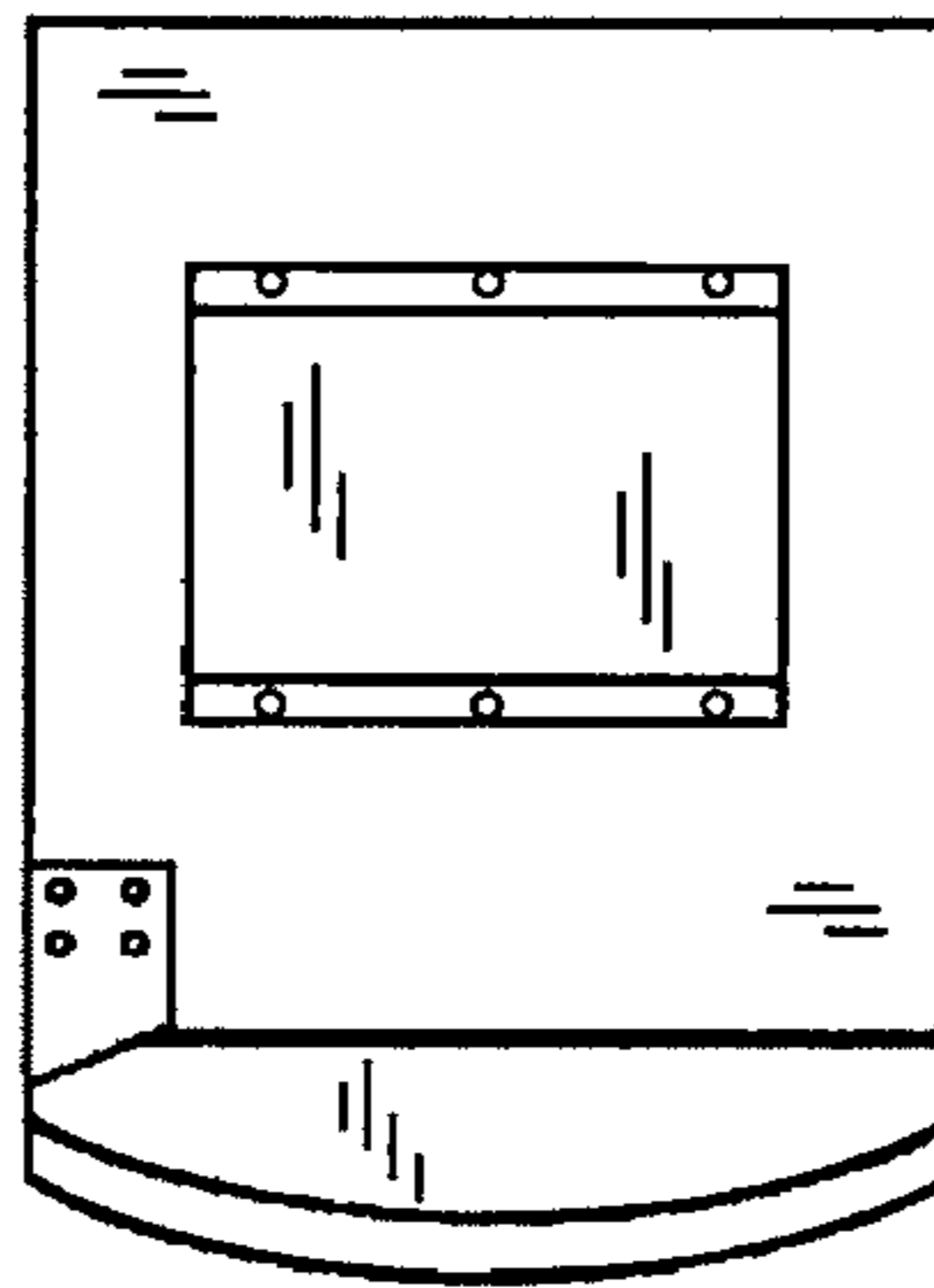


FIG. 7

