

US00D638475S

(12) **United States Design Patent**
Hung

(10) **Patent No.:** **US D638,475 S**

(45) **Date of Patent:** **** May 24, 2011**

- (54) **HOLDER FOR MARKERS**
- (75) Inventor: **Peter M. H. Hung**, Kowloon (HK)
- (73) Assignee: **Fulon Development Limited**, Kowloon (HK)
- (**) Term: **14 Years**
- (21) Appl. No.: **29/354,466**
- (22) Filed: **Jan. 25, 2010**
- (51) **LOC (9) Cl.** **19-06**
- (52) **U.S. Cl.** **D19/85**
- (58) **Field of Classification Search** D3/206;
D11/147; D19/65, 77-85, 99, 100; 206/214,
206/224, 371, 486; 211/69.1-69.9
See application file for complete search history.

- D298,264 S * 10/1988 Wang D19/85
- 4,934,527 A * 6/1990 Ho 206/224
- 5,076,444 A * 12/1991 Syms 211/69.5
- D325,934 S * 5/1992 Ramljak D19/85
- D381,687 S * 7/1997 Skoko D19/85
- D389,516 S * 1/1998 Delman D19/36
- D390,499 S * 2/1998 Durham et al. D11/152
- D448,417 S * 9/2001 Kwok D19/85
- D454,982 S * 3/2002 Renfrew D28/73
- D542,705 S * 5/2007 Peterson D11/147
- D553,687 S * 10/2007 Huang D19/84
- D566,770 S * 4/2008 Cetera D19/77
- 7,458,474 B2 * 12/2008 Bewsky 211/69.1

* cited by examiner

Primary Examiner — Elizabeth Albert
(74) *Attorney, Agent, or Firm* — Rabin & Berdo, P.C.

(57) **CLAIM**
The ornamental design for a holder for markers, as shown and described.

DESCRIPTION

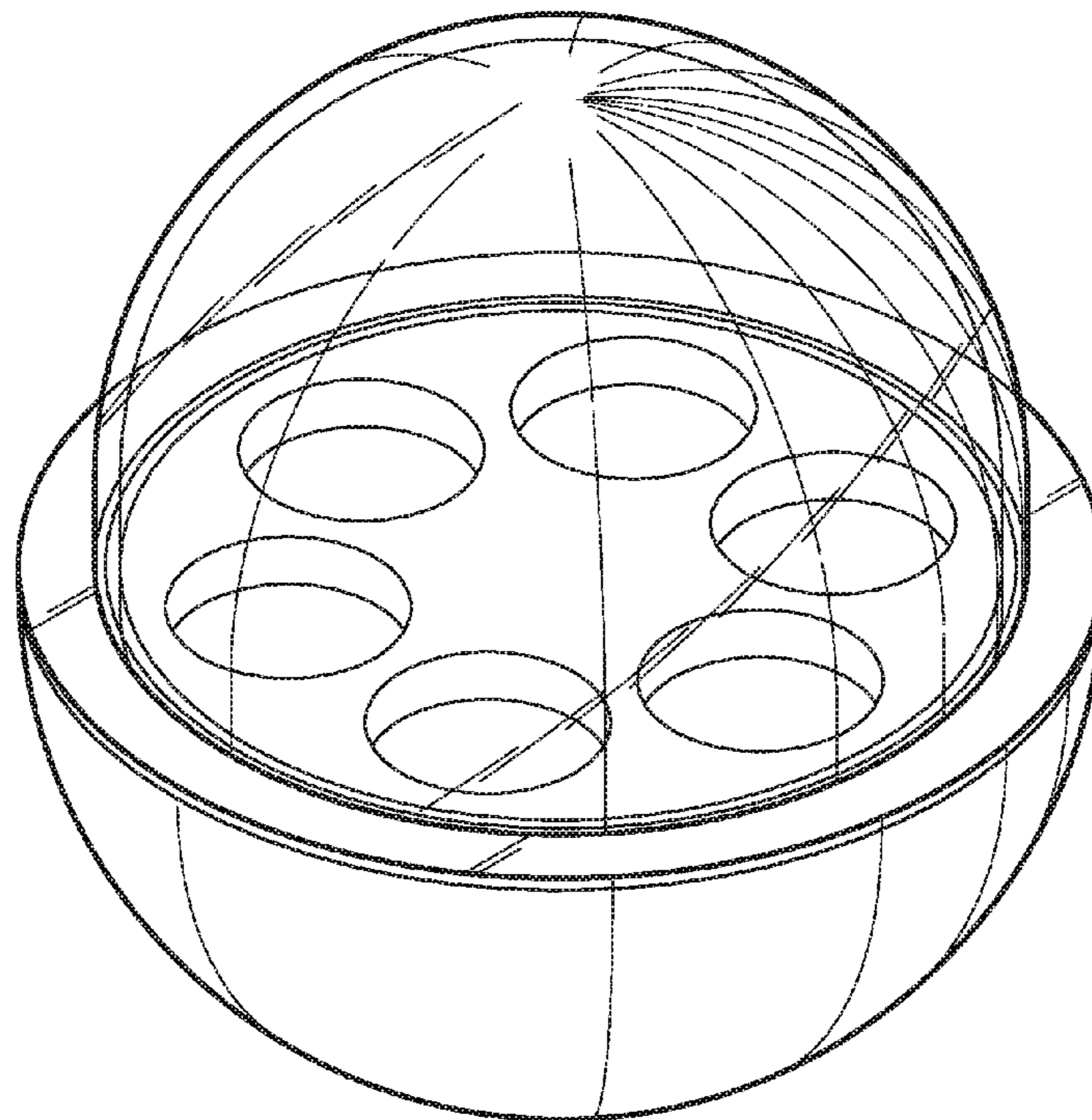
FIG. 1 is a perspective view of a holder for markers showing my new design;
FIG. 2 is a front view thereof (Rear view, Left side view and Right side view are mirror images);
FIG. 3 is a top view thereof;
FIG. 4 is a bottom view thereof;
FIG. 5 is a perspective view with cover separated thereof; and,
FIG. 6 is a perspective view with markers inserted thereof.
The broken lines in FIG. 6 are included to show markers, which form no part of the claimed design.

1 Claim, 6 Drawing Sheets

(56) **References Cited**

U.S. PATENT DOCUMENTS

- 283,389 A * 8/1883 Goodwin 15/423
- 941,718 A * 11/1909 Koons 206/369
- 1,474,753 A * 11/1923 Zrebiec 47/39
- D85,054 S * 9/1931 Platt D19/84
- D117,334 S * 10/1939 Fuld D11/147
- D123,248 S * 10/1940 Henderson D6/408
- 3,066,796 A * 12/1962 Kidd 211/76
- D208,283 S * 8/1967 Cranfill D6/457
- 3,428,380 A * 2/1969 Danjczek 312/31
- D214,349 S * 6/1969 McFarland D19/36
- D218,341 S * 8/1970 Gianotti D11/147
- D260,207 S * 8/1981 Whyte D6/469



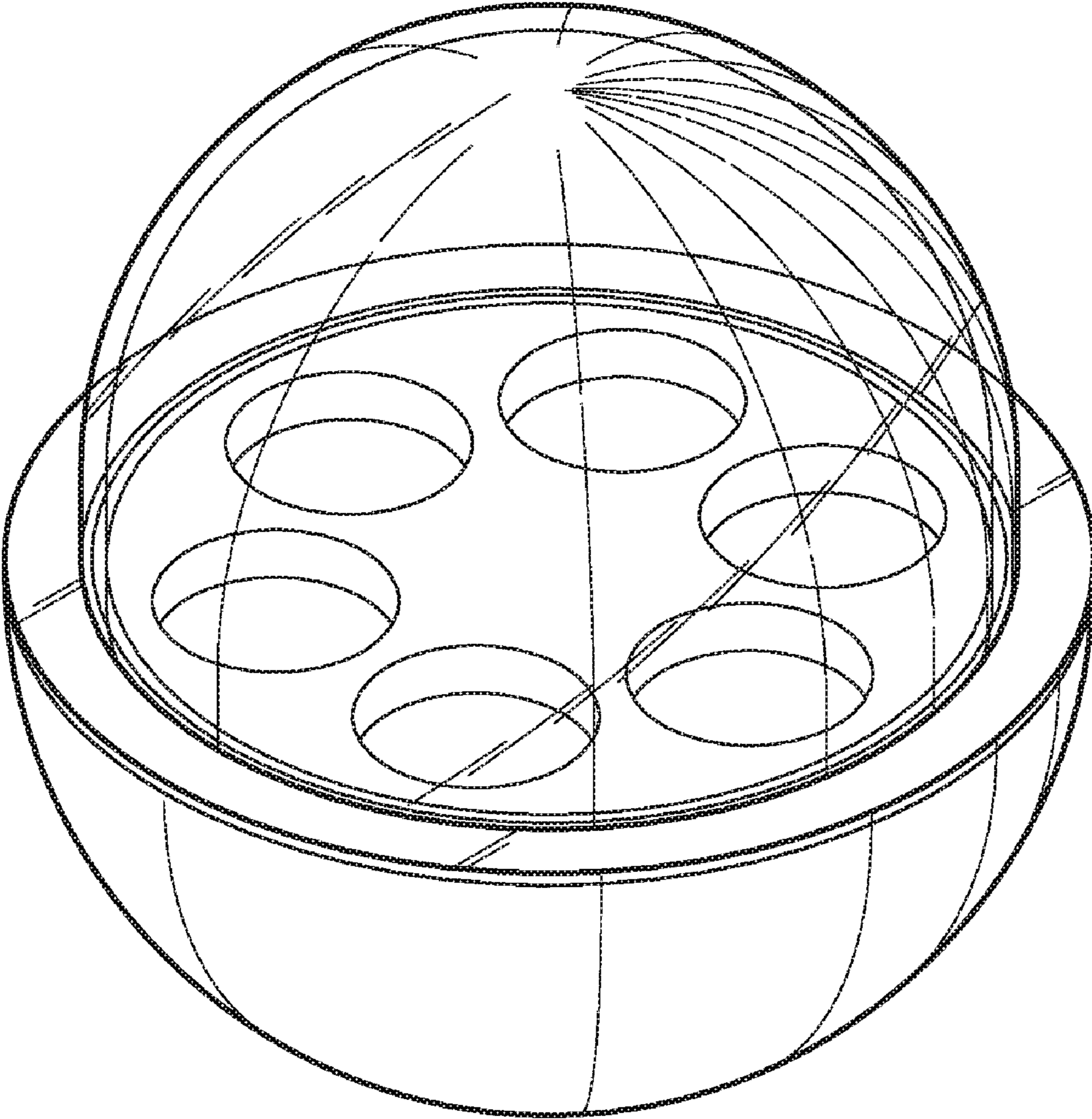


FIG. 1

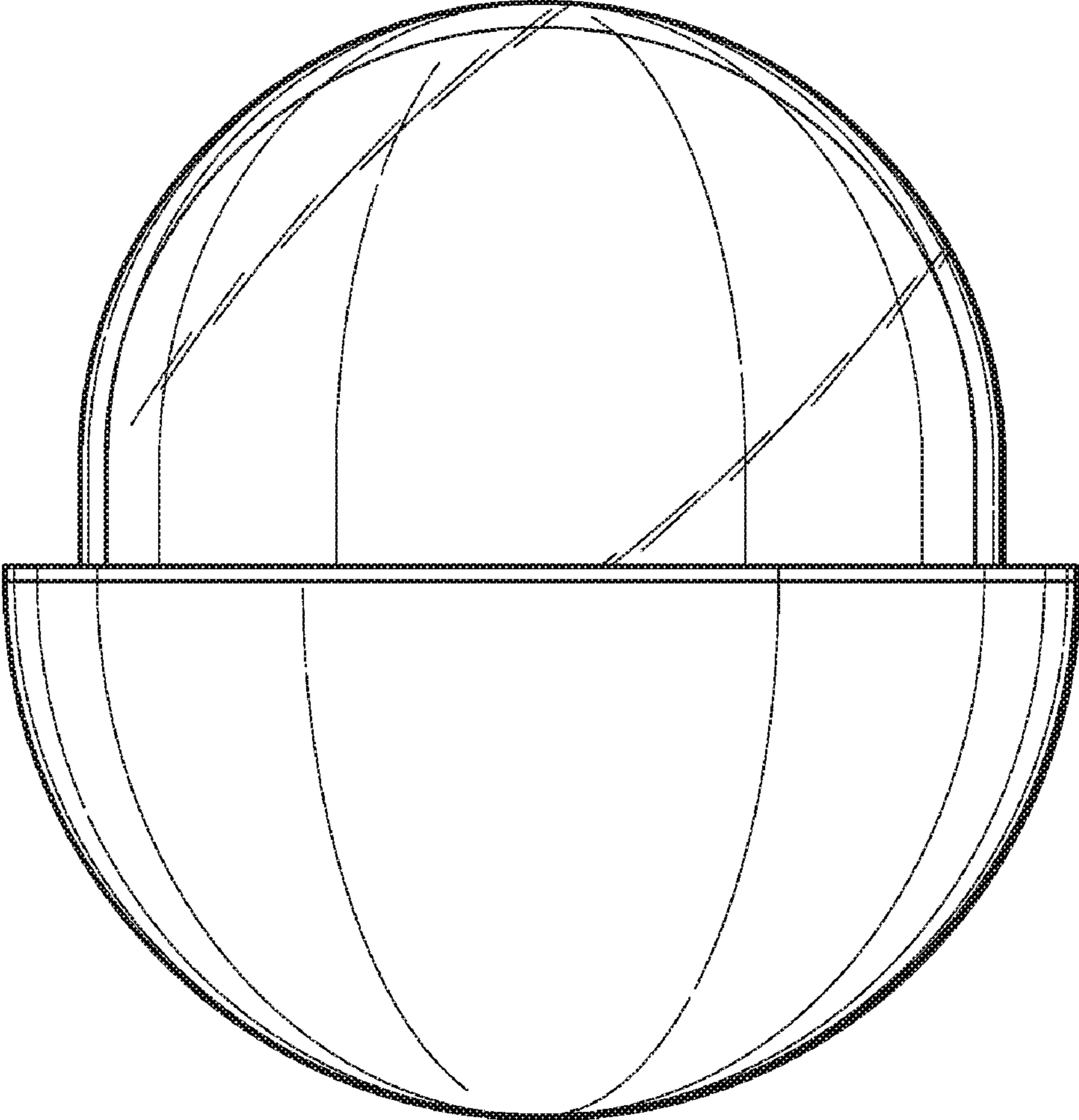


FIG. 2

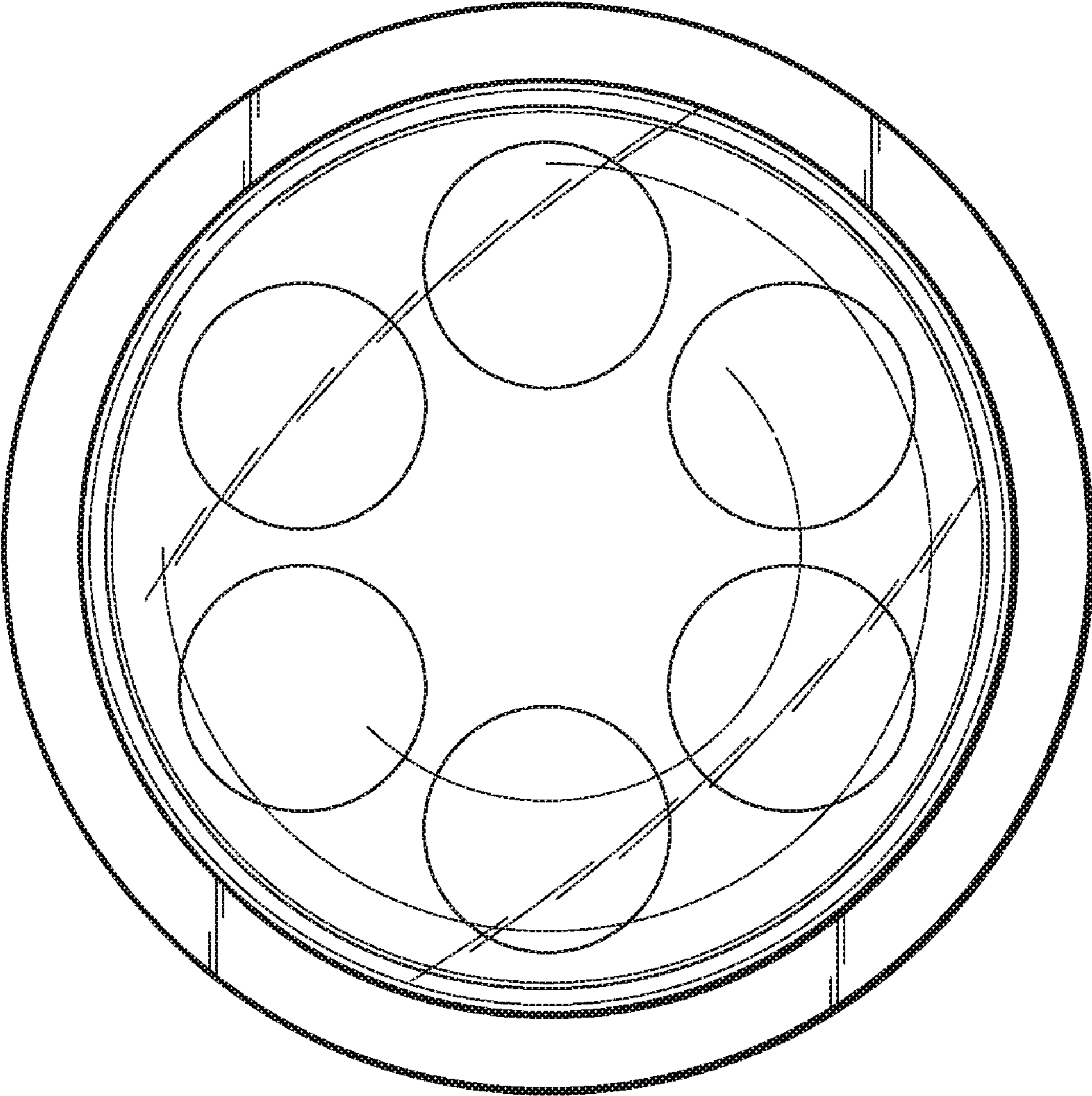


FIG. 3

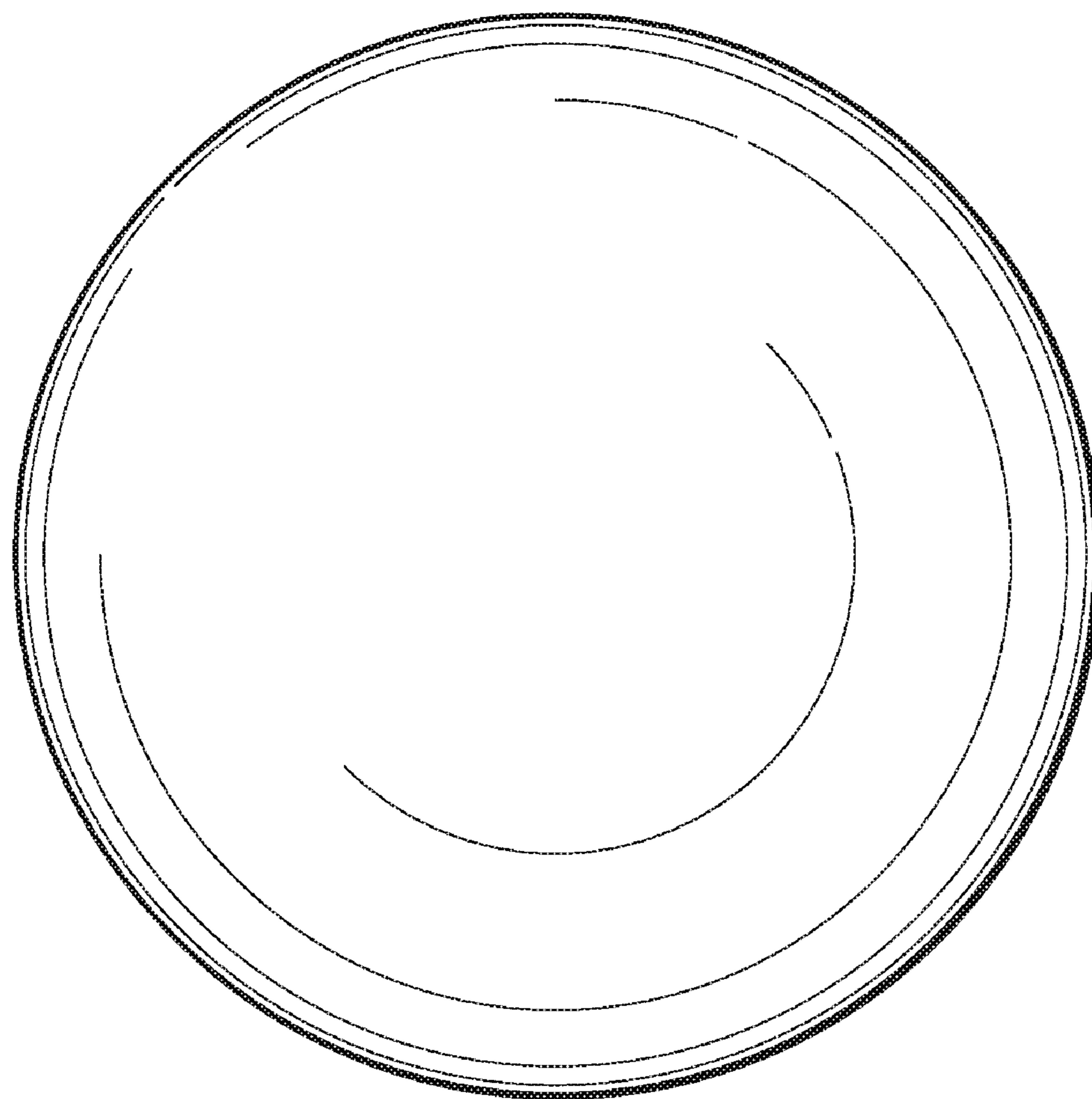


FIG. 4

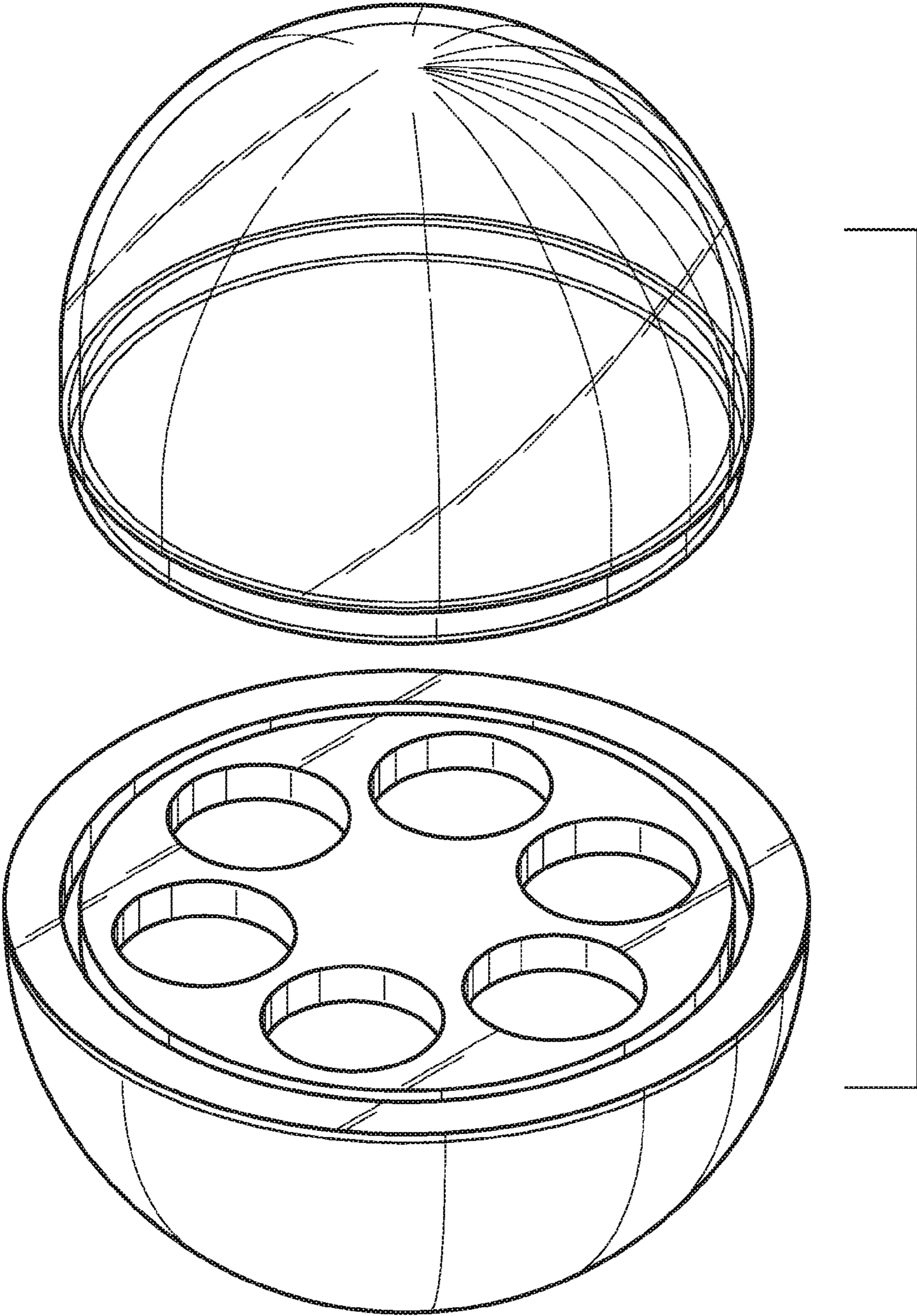


FIG. 5

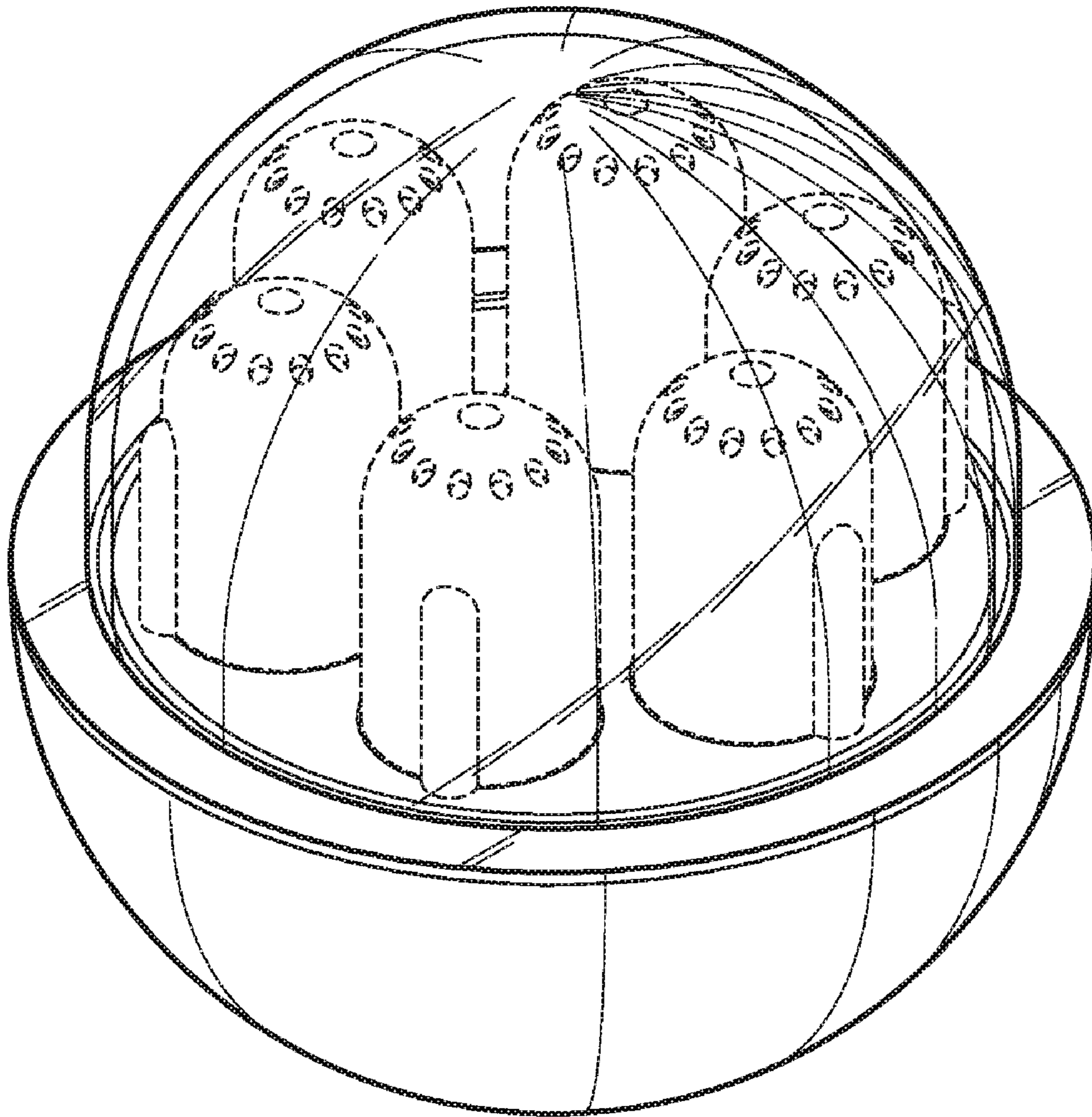


FIG. 6