



US00D638466S

(12) **United States Design Patent**
La Barbera

(10) **Patent No.:** **US D638,466 S**

(45) **Date of Patent:** **** May 24, 2011**

(54) **PRINTER**

(75) Inventor: **Angelo M. La Barbera**, Eagle, ID (US)

(73) Assignee: **Hewlett-Packard Development Company, L.P.**, Houston, TX (US)

(**) Term: **14 Years**

(21) Appl. No.: **29/326,325**

(22) Filed: **Oct. 15, 2008**

(51) **LOC (9) Cl.** **18-02**

(52) **U.S. Cl.** **D18/56**

(58) **Field of Classification Search** D18/14,
D18/18, 34.1, 34.3, 36, 39, 50, 53, 56, 59,
D18/99; D14/302, 307; 101/212–213, 216,
101/232; D12/163, 165

See application file for complete search history.

(56) **References Cited**

U.S. PATENT DOCUMENTS

D413,352 S * 8/1999 Bishop et al. D18/55
D462,687 S * 9/2002 Akahane et al. D14/425

D462,963 S * 9/2002 Yamano D14/425
D619,056 S * 7/2010 Lamm et al. D12/163
D630,560 S * 1/2011 Lamm et al. D12/163

* cited by examiner

Primary Examiner — Ian Simmons
Assistant Examiner — Dana L Sipos

(57) **CLAIM**

I claim the ornamental design for a printer, as shown and described.

DESCRIPTION

FIG. 1 is a top, front, left side perspective view of a printer showing my new design;

FIG. 2 is an enlarged top, front, left side perspective view taken along the line 2—2 in FIG. 1;

FIG. 3 is a left side elevation view of the printer of FIG. 1;

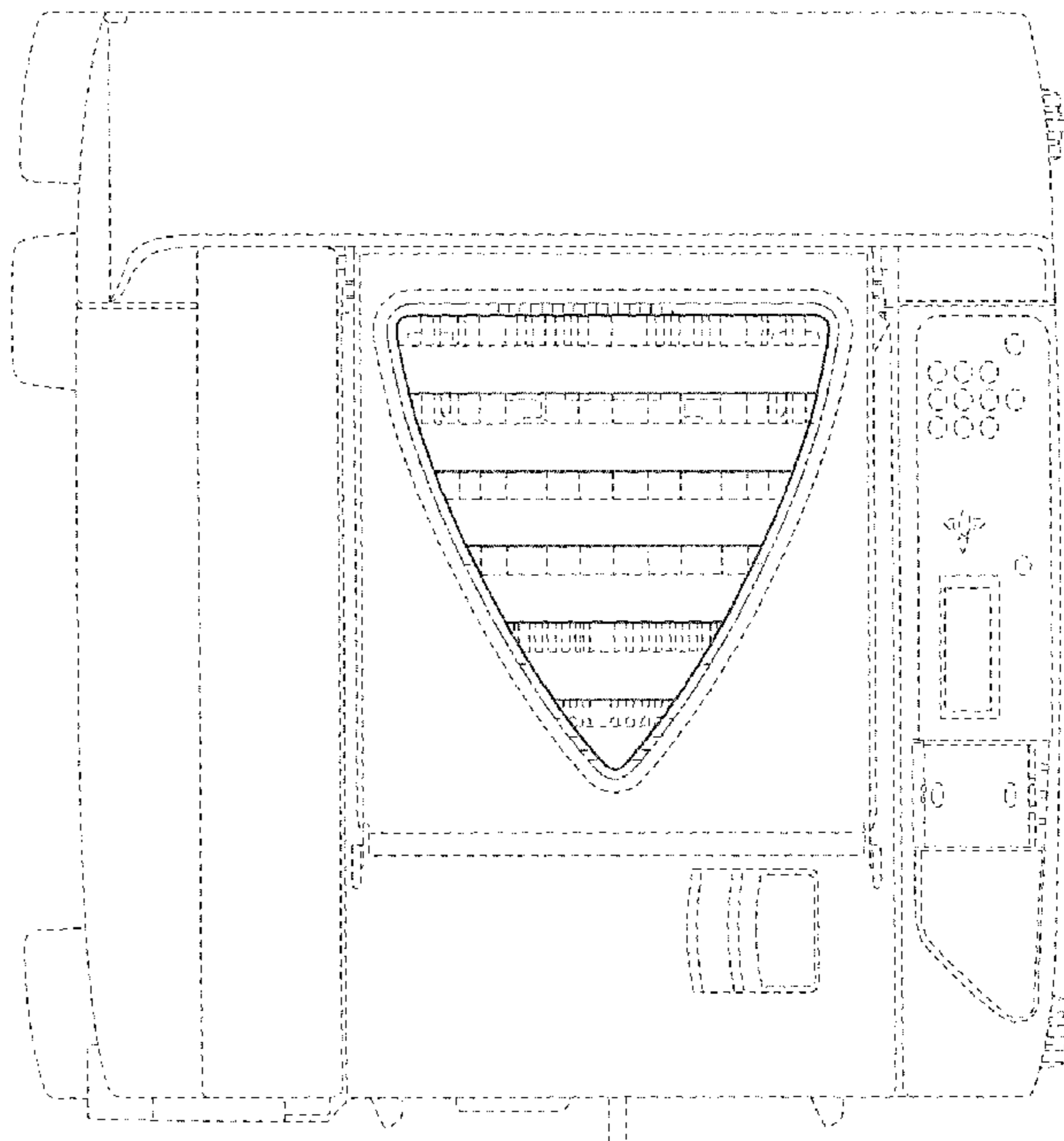
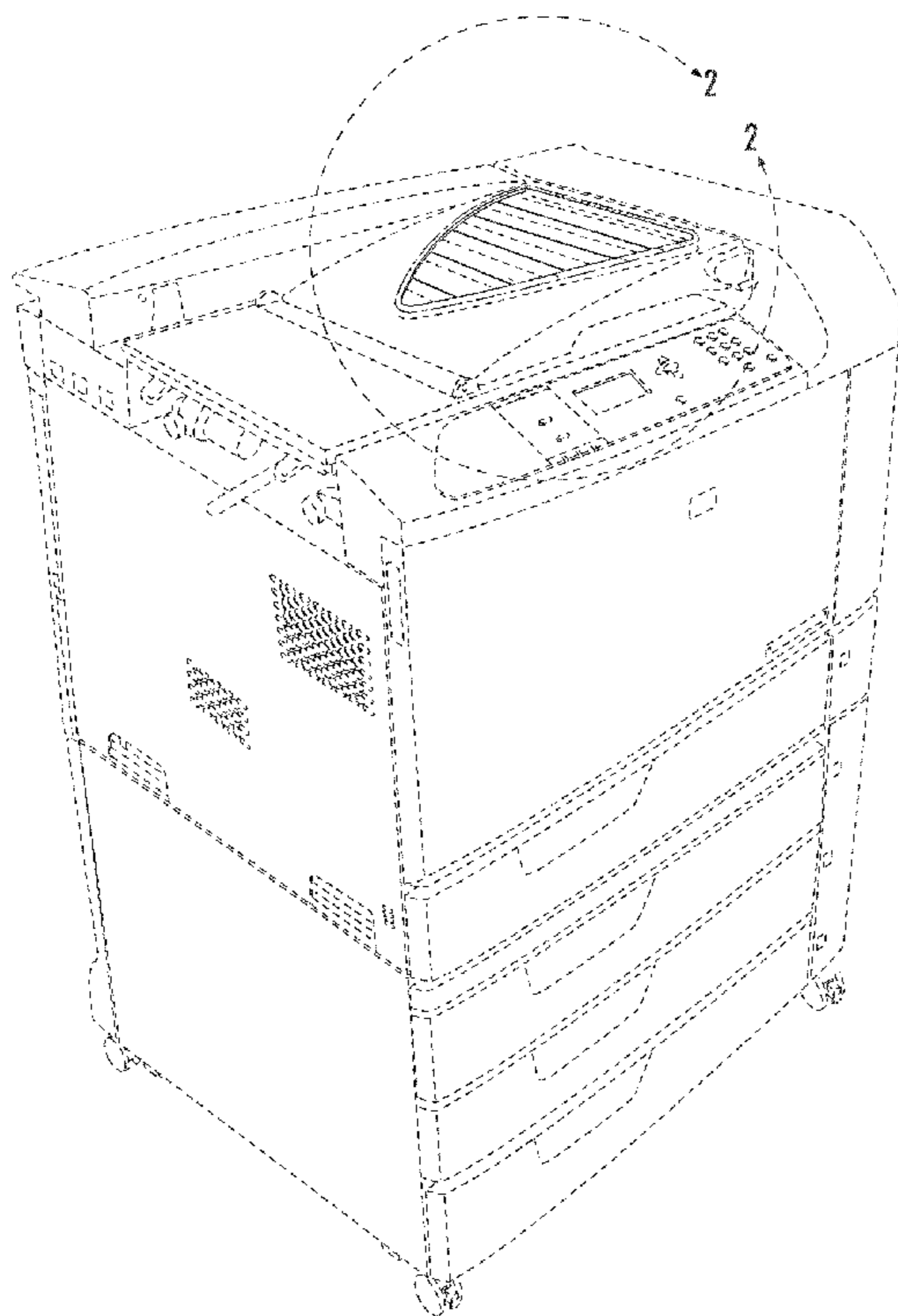
FIG. 4 is a front elevation view thereof;

FIG. 5 is a right side elevation view thereof; and,

FIG. 6 is a top plan view thereof.

The broken lines in the drawings are environmental and are for illustrative purposes only, forming no part of the claimed design. The dash dot dash lines are boundary lines of the claimed design.

1 Claim, 6 Drawing Sheets



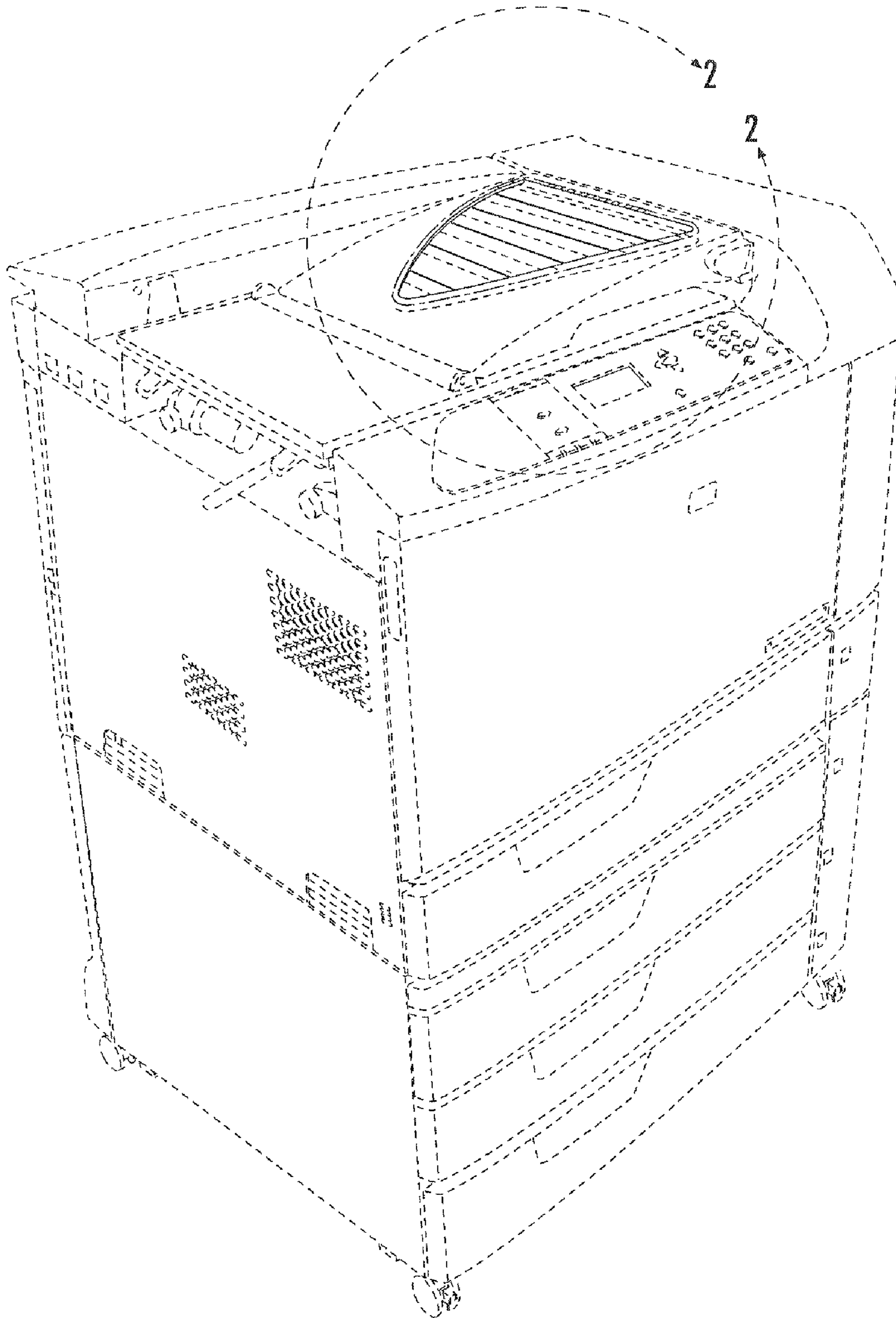


FIG. 1

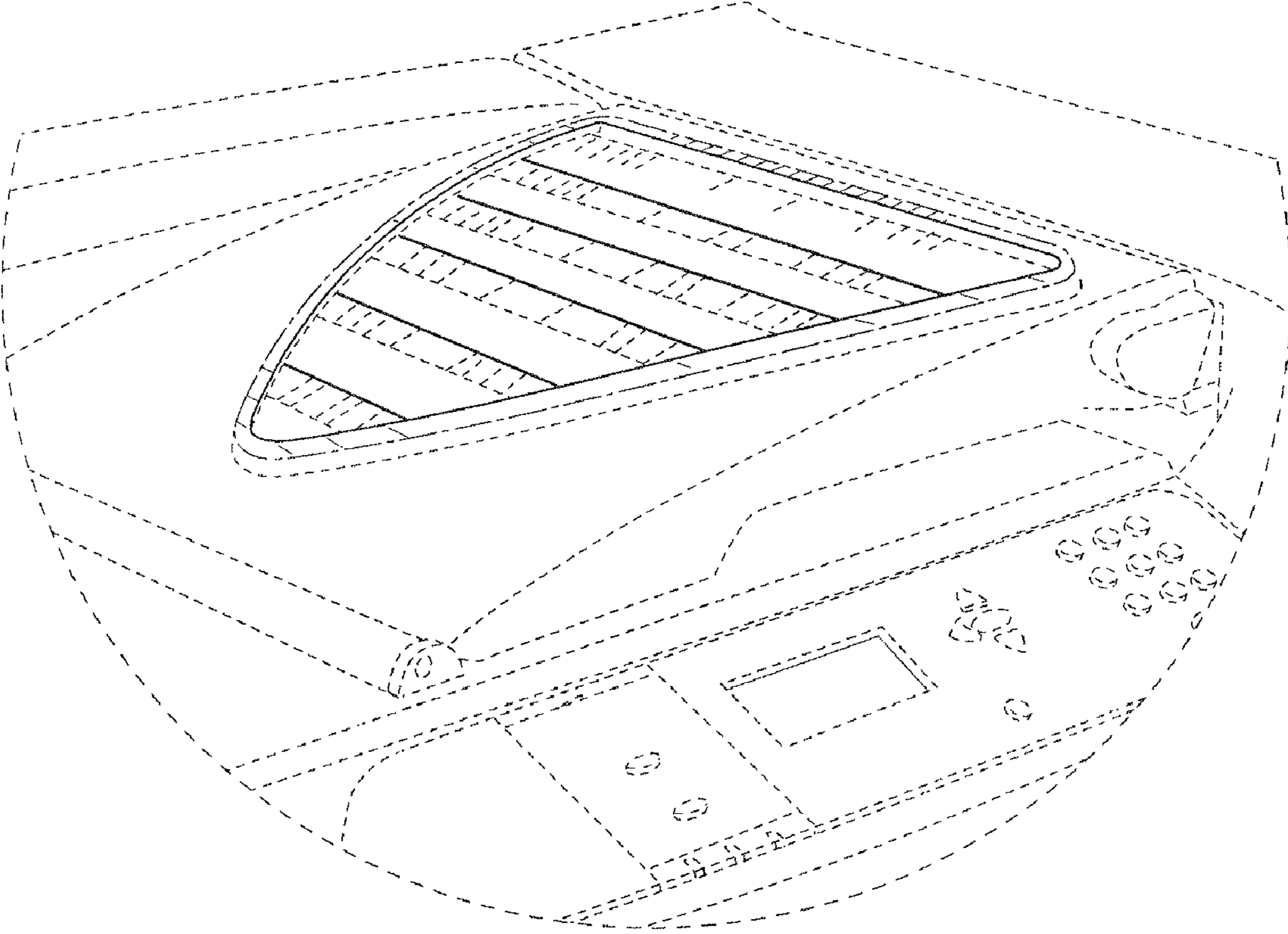


FIG. 2

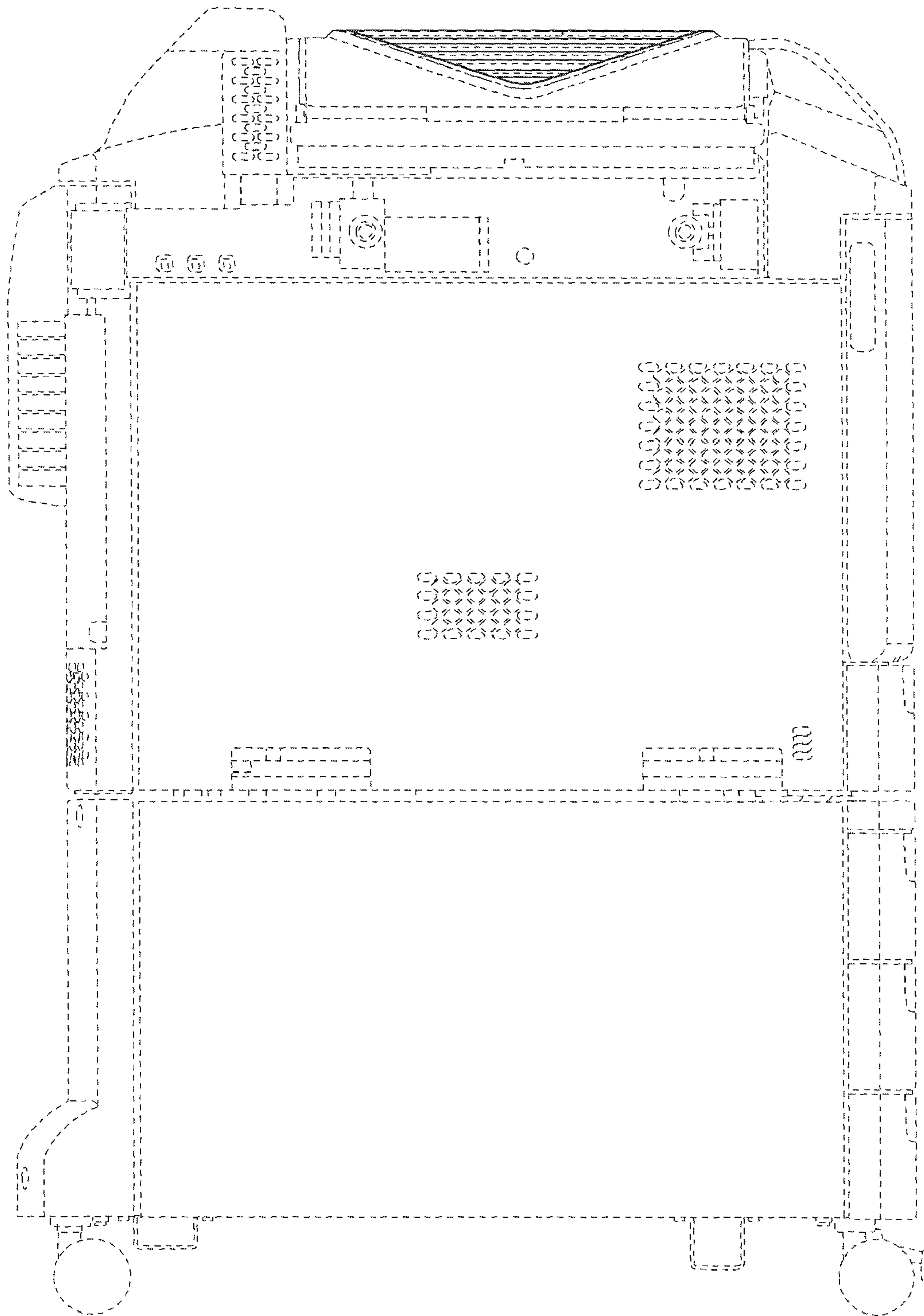


FIG. 3

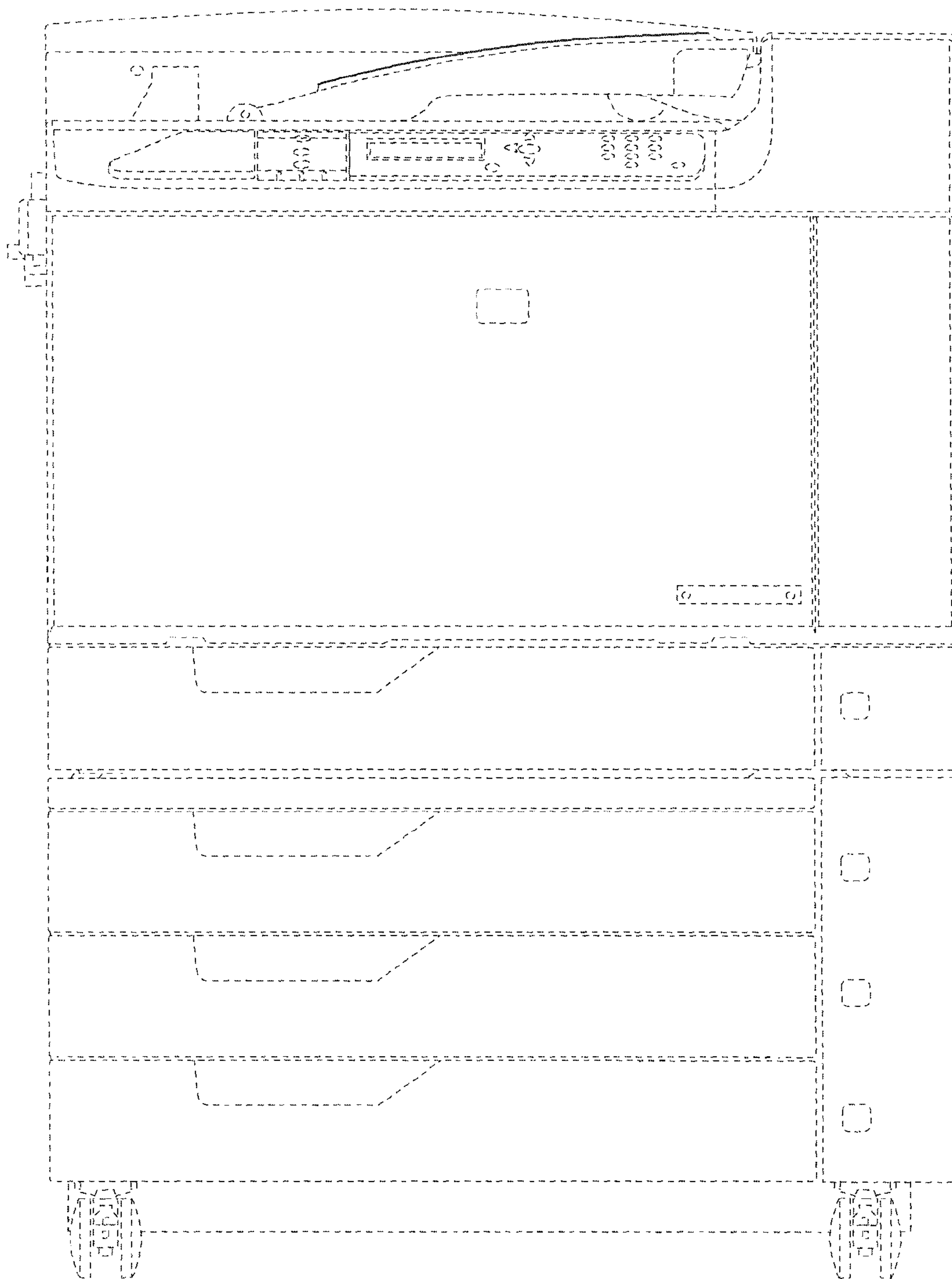


FIG. 4

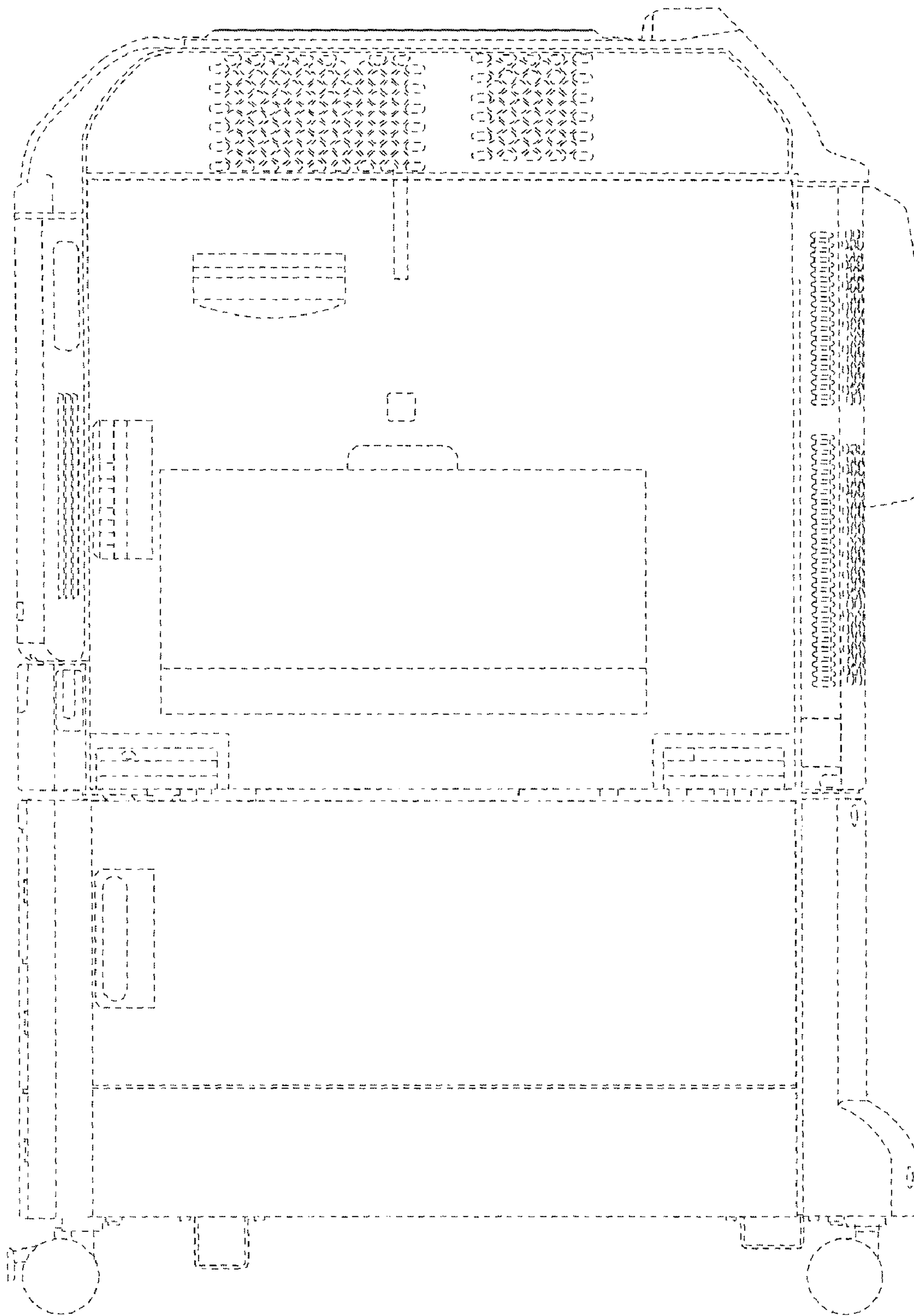


FIG. 5

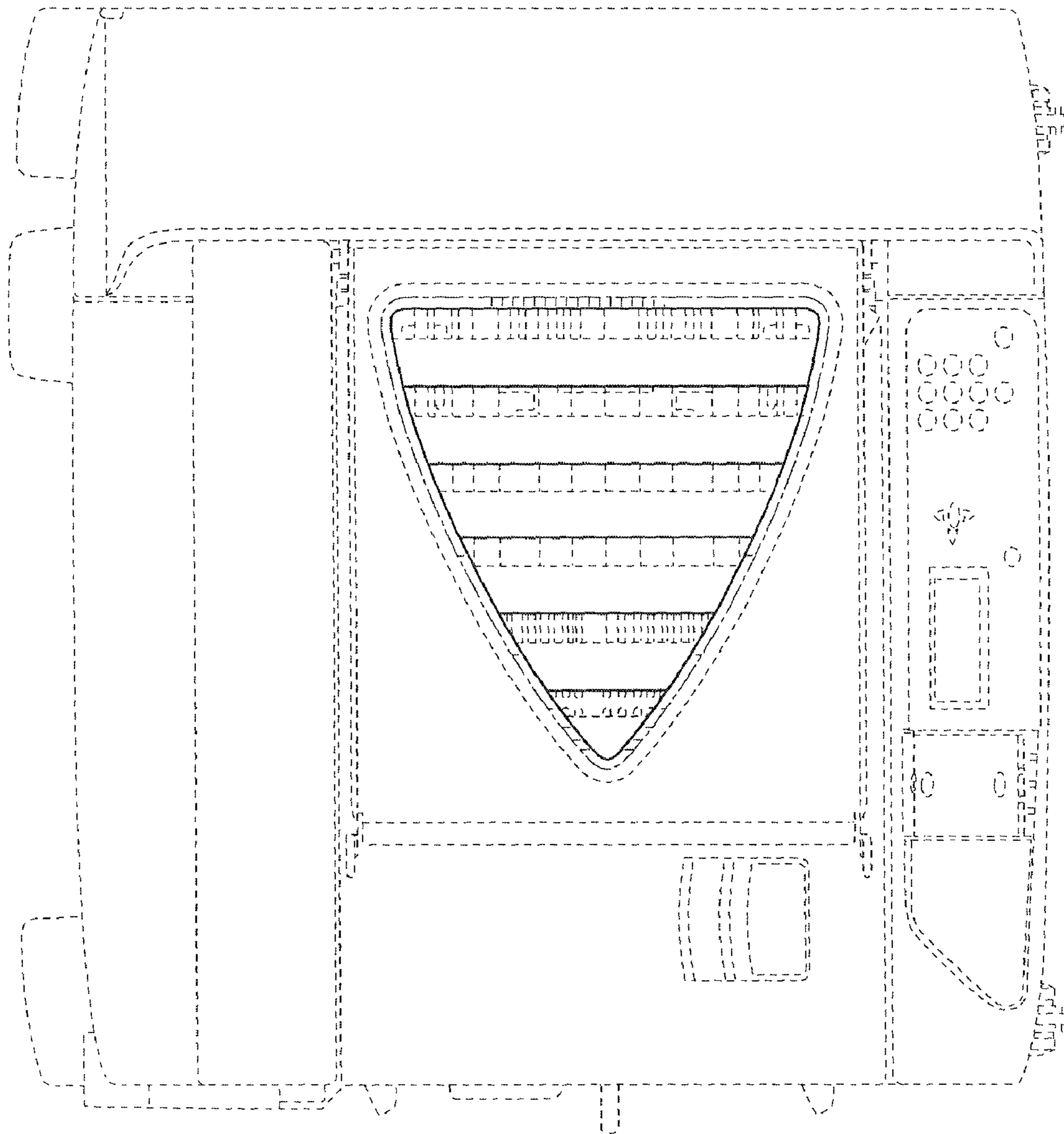


FIG. 6