



US00D638465S

(12) **United States Design Patent**
Goldin

(10) **Patent No.:** **US D638,465 S**

(45) **Date of Patent:** **** May 24, 2011**

(54) **POINT OF SALE TERMINAL**

(75) Inventor: **Ziv Goldin**, Holon (IL)

(73) Assignee: **Verifone, Inc.**, San Jose, CA (US)

(**) Term: **14 Years**

(21) Appl. No.: **29/364,914**

(22) Filed: **Jun. 30, 2010**

(51) **LOC (9) Cl.** **18-01**

(52) **U.S. Cl.** **D18/4.6**

(58) **Field of Classification Search** D14/336,
D14/341-347, 371-376, 387; D18/3.1-3.3,
D18/4.1-4.6, 6-8, 11, 12, 12.1-12.3; D21/324,
D21/329, 332; D99/28, 34-36, 43; 235/1,
235/2, 7 R, 12, 22, 33, 51, 52; 705/12, 15-18,
705/43

See application file for complete search history.

(56) **References Cited**

U.S. PATENT DOCUMENTS

D486,826 S * 2/2004 Janez et al. D14/387
D520,178 S * 5/2006 Xu D27/142
D529,943 S * 10/2006 Chiu et al. D18/4.4

D554,694 S * 11/2007 Slinckx D18/4.4
D570,402 S * 6/2008 Henry D18/4.6
D577,762 S * 9/2008 Nelson et al. D18/4.6
7,591,430 B2 * 9/2009 Talach et al. 235/472.01
D614,230 S * 4/2010 Hidaka D18/12

* cited by examiner

Primary Examiner — Garth Rademaker

(74) *Attorney, Agent, or Firm* — Sughrue Mion, PLLC

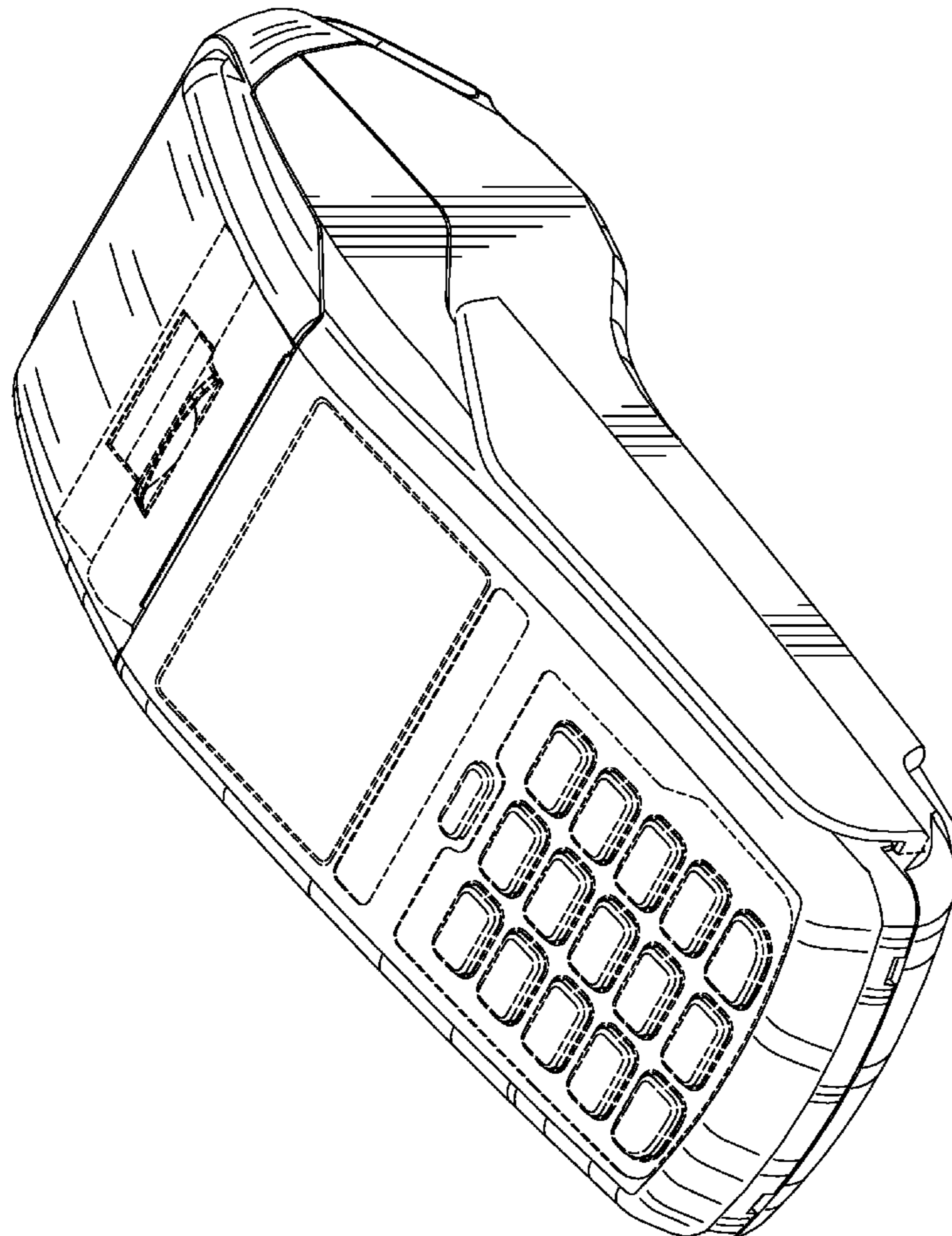
(57) **CLAIM**

The ornamental design for a point of sale terminal, as shown and described.

DESCRIPTION

FIG. 1 is a perspective view of a point of sale terminal;
FIG. 2 is a side elevation view thereof;
FIG. 3 is an opposite side elevation view thereof;
FIG. 4 is a top plan view thereof;
FIG. 5 is a bottom plan view thereof;
FIG. 6 is an end view thereof; and,
FIG. 7 is an opposite end view thereof.
The broken lines in the drawing figures show environmental structure only, and form no part of the claimed design.

1 Claim, 5 Drawing Sheets



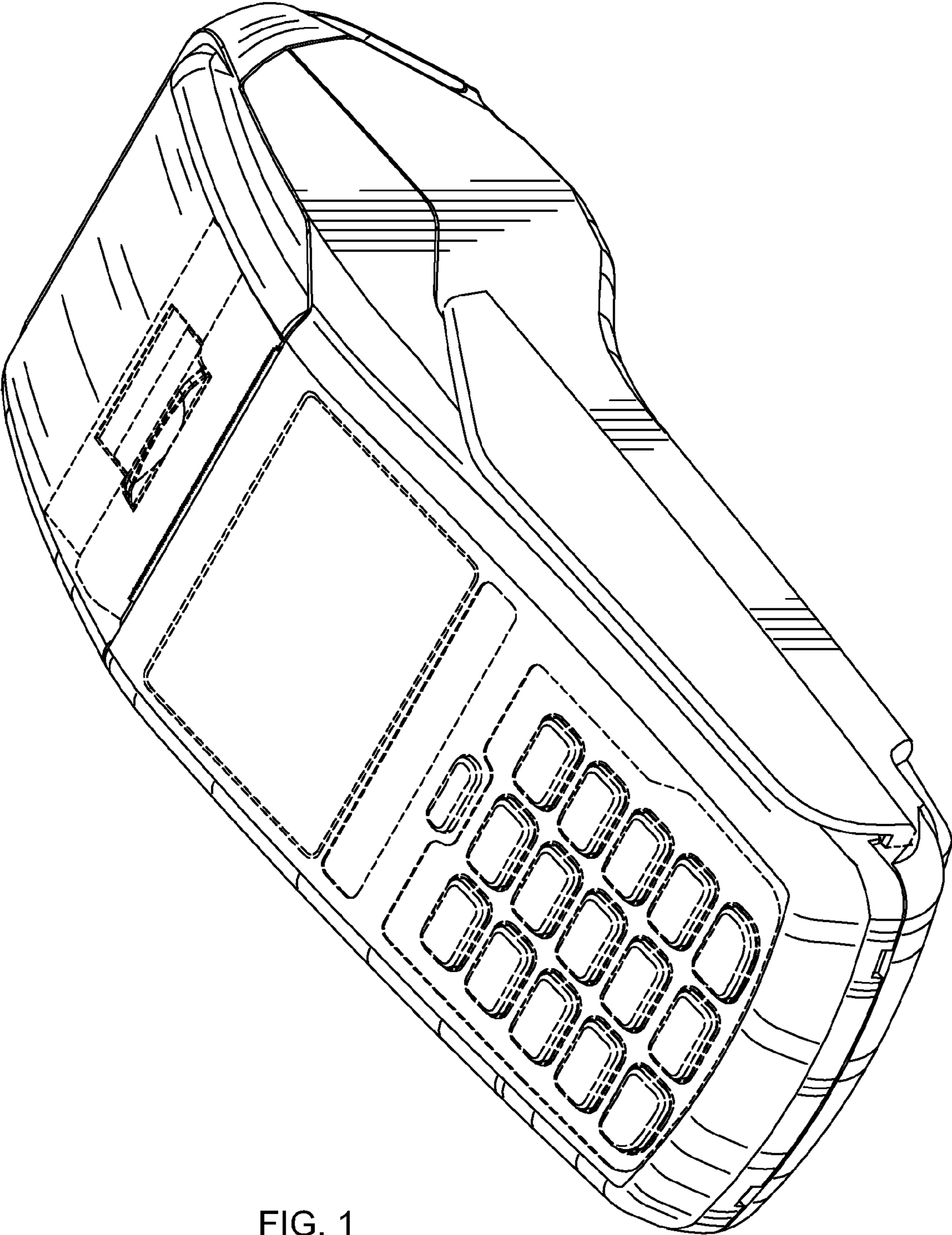


FIG. 1

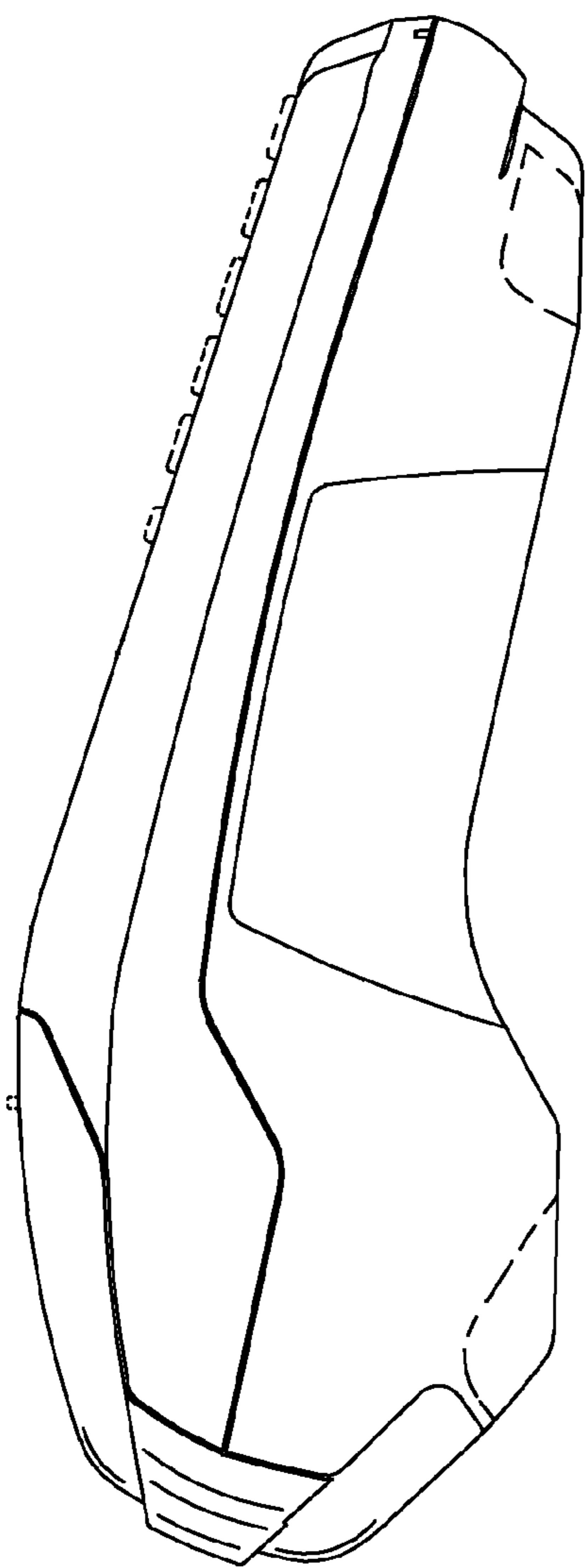


FIG. 2



FIG. 3

FIG. 4

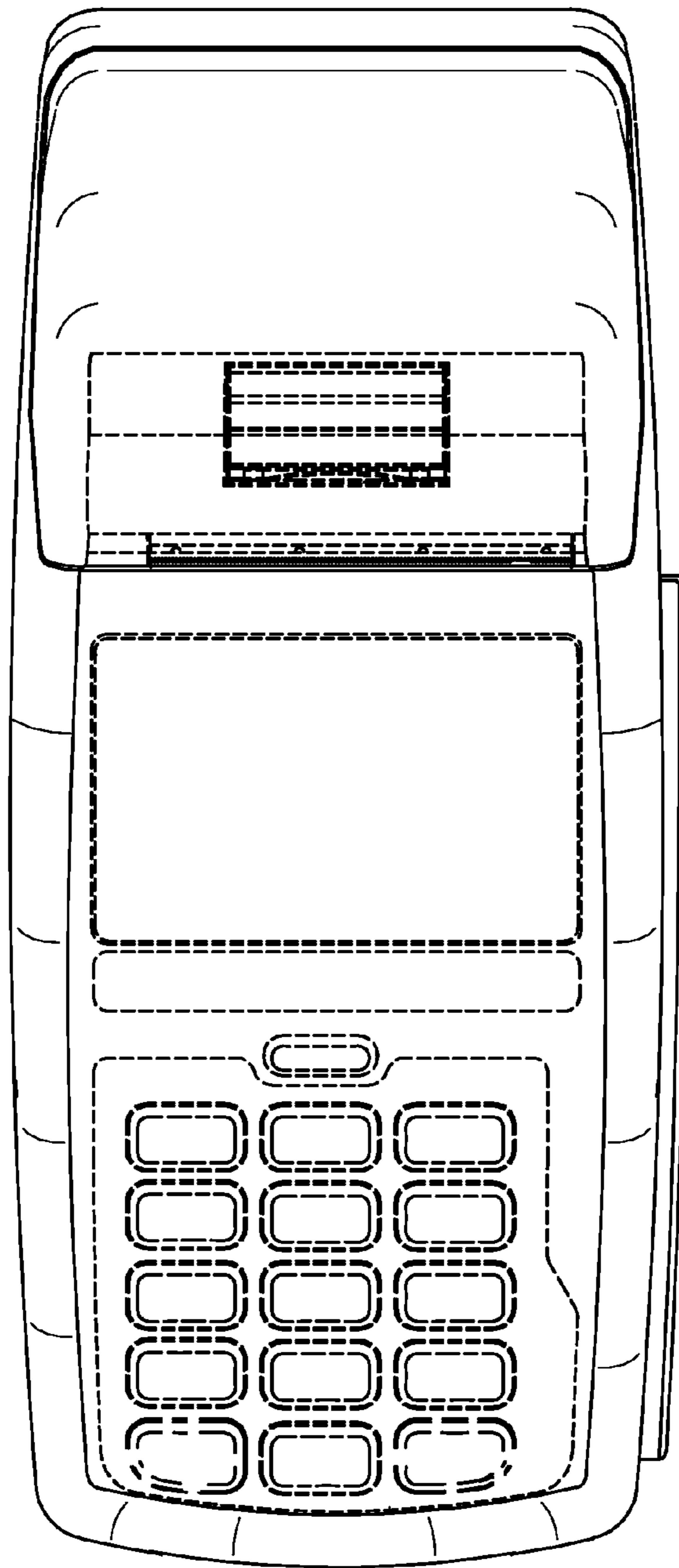


FIG. 5

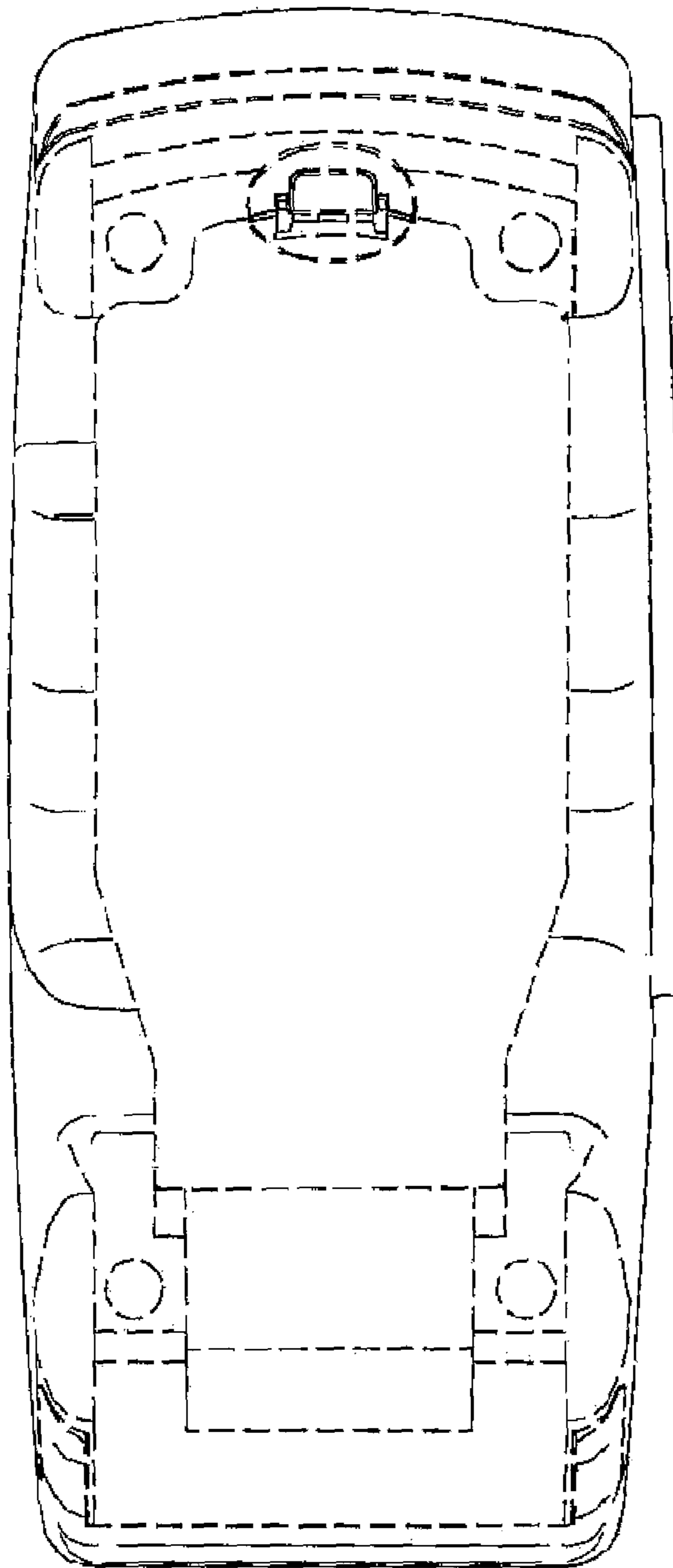


FIG. 6

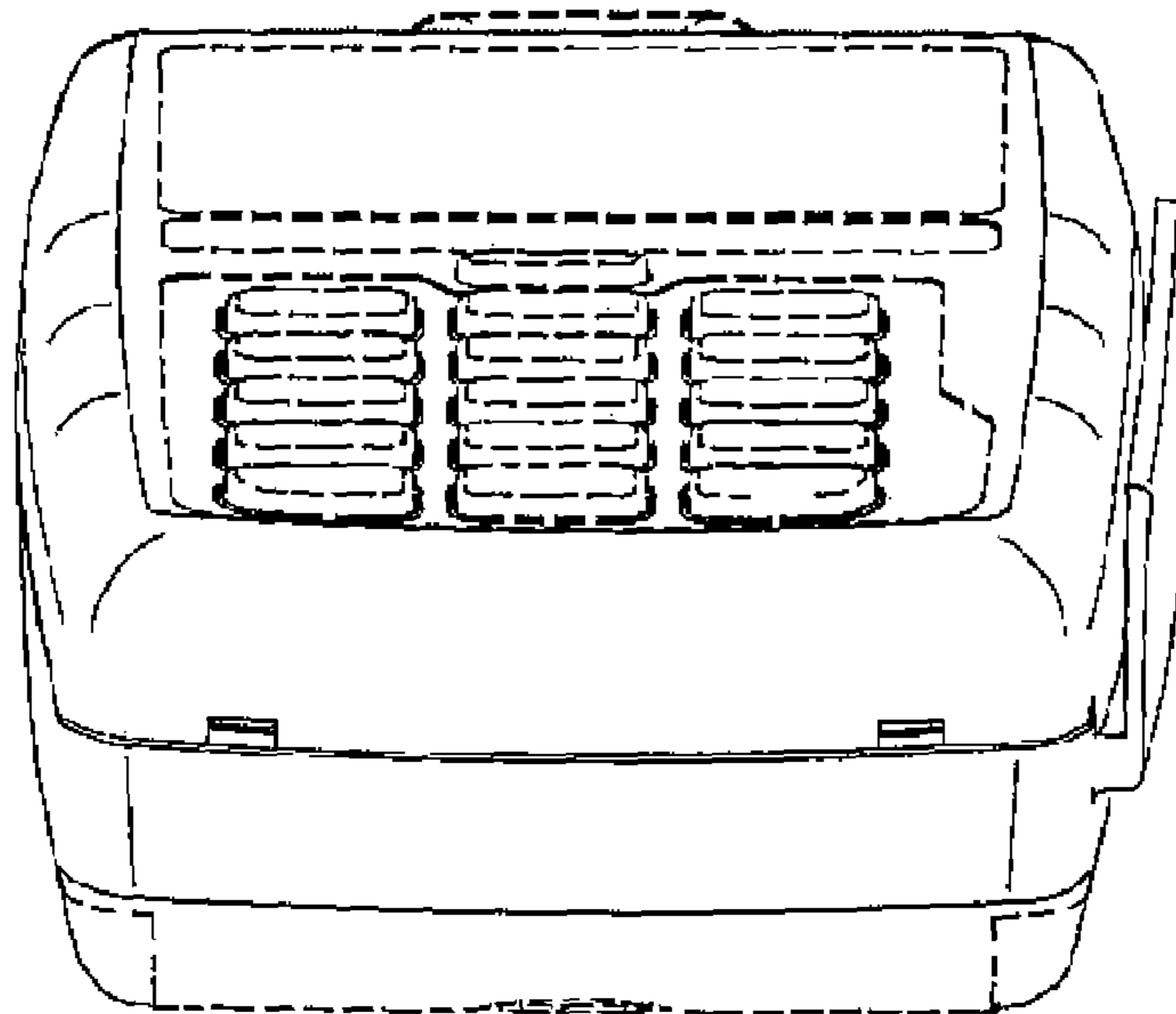


FIG. 7

