



US00D638460S

(12) **United States Design Patent**
Funakoshi

(10) **Patent No.:** **US D638,460 S**

(45) **Date of Patent:** **** May 24, 2011**

(54) **PORTION OF A DIGITAL SINGLE-LENS CAMERA**

(75) Inventor: **Yasuo Funakoshi**, Hachioji (JP)

(73) Assignee: **Olympus Imaging Corp.**, Tokyo (JP)

(**) Term: **14 Years**

(21) Appl. No.: **29/367,961**

(22) Filed: **Aug. 16, 2010**

Related U.S. Application Data

(62) Division of application No. 29/333,686, filed on Mar. 13, 2009, now Pat. No. Des. 633,934.

(51) **LOC (9) Cl.** **16-05**

(52) **U.S. Cl.** **D16/219**

(58) **Field of Classification Search** D16/200,
D16/202, 204, 208, 217, 218, 219; 348/373-376;
358/909.1; 396/535-541

See application file for complete search history.

(56) **References Cited**

U.S. PATENT DOCUMENTS

D467,603 S *	12/2002	Senda	D16/219
D524,348 S *	7/2006	Nagayama et al.	D16/202
D555,694 S *	11/2007	Yoo et al.	D16/219
D557,311 S *	12/2007	Hanafusa et al.	D16/219
D561,225 S *	2/2008	Miyahara	D16/219
D574,030 S *	7/2008	Nakajima	D16/219
7,646,426 B2 *	1/2010	Saiki et al.	348/373

FOREIGN PATENT DOCUMENTS

JP D1271197 5/2006

OTHER PUBLICATIONS

“A digital still camera” of Fujifilm Corp. shown at the following website, which was publicly known as of Dec. 3, 2003: <http://www.fujifilm.co.jp/press/nrj1150.html>.

“A digital still camera” of Fujifilm Corp. shown at the following website, which was publicly known as of Feb. 20, 2004: <http://www.fujifilm.co.jp/press/nrj1177.html>.

An image display and storage apparatus) shown in the Japanese magazine “Tokusengai”, No. 12, published by Tokusengai Publication Corporation, Dec. 1, 2008.

Japanese Office Action dated Sep. 15, 2009 (and English translation thereof) in counterpart Japanese Design Application No. 2009-003836.

* cited by examiner

Primary Examiner — Adir Aronovich

(74) *Attorney, Agent, or Firm* — Holtz, Holtz, Goodman & Chick, PC

(57) **CLAIM**

The ornamental design for a portion of a digital single-lens camera, as shown and described.

DESCRIPTION

FIG. 1 is a front, top and right side perspective view of a portion of a digital single-lens camera, showing my new design;

FIG. 2 is a rear, top and left side perspective view thereof;

FIG. 3 is a front elevational view thereof;

FIG. 4 is a rear elevational view thereof;

FIG. 5 is a top plan view thereof;

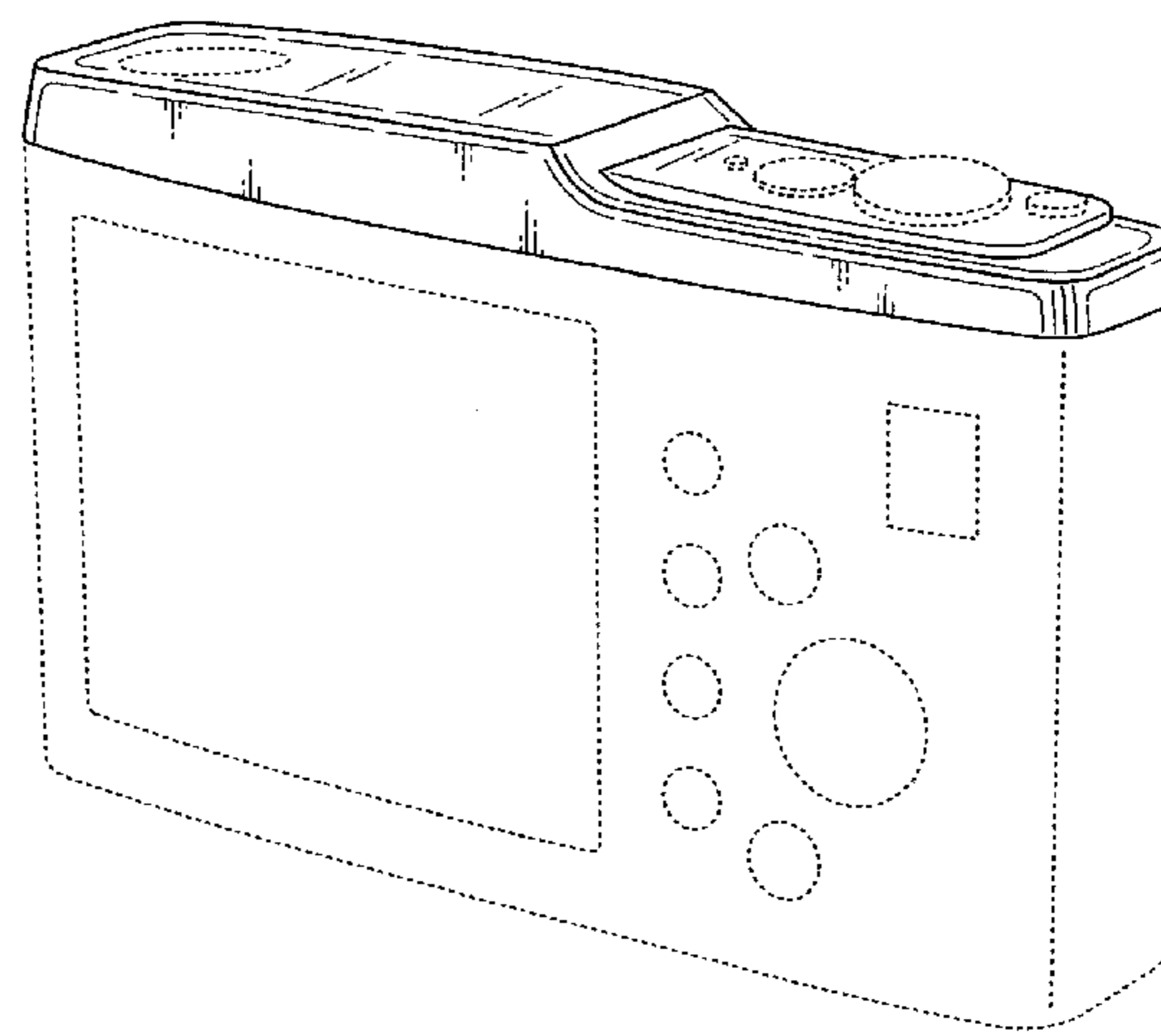
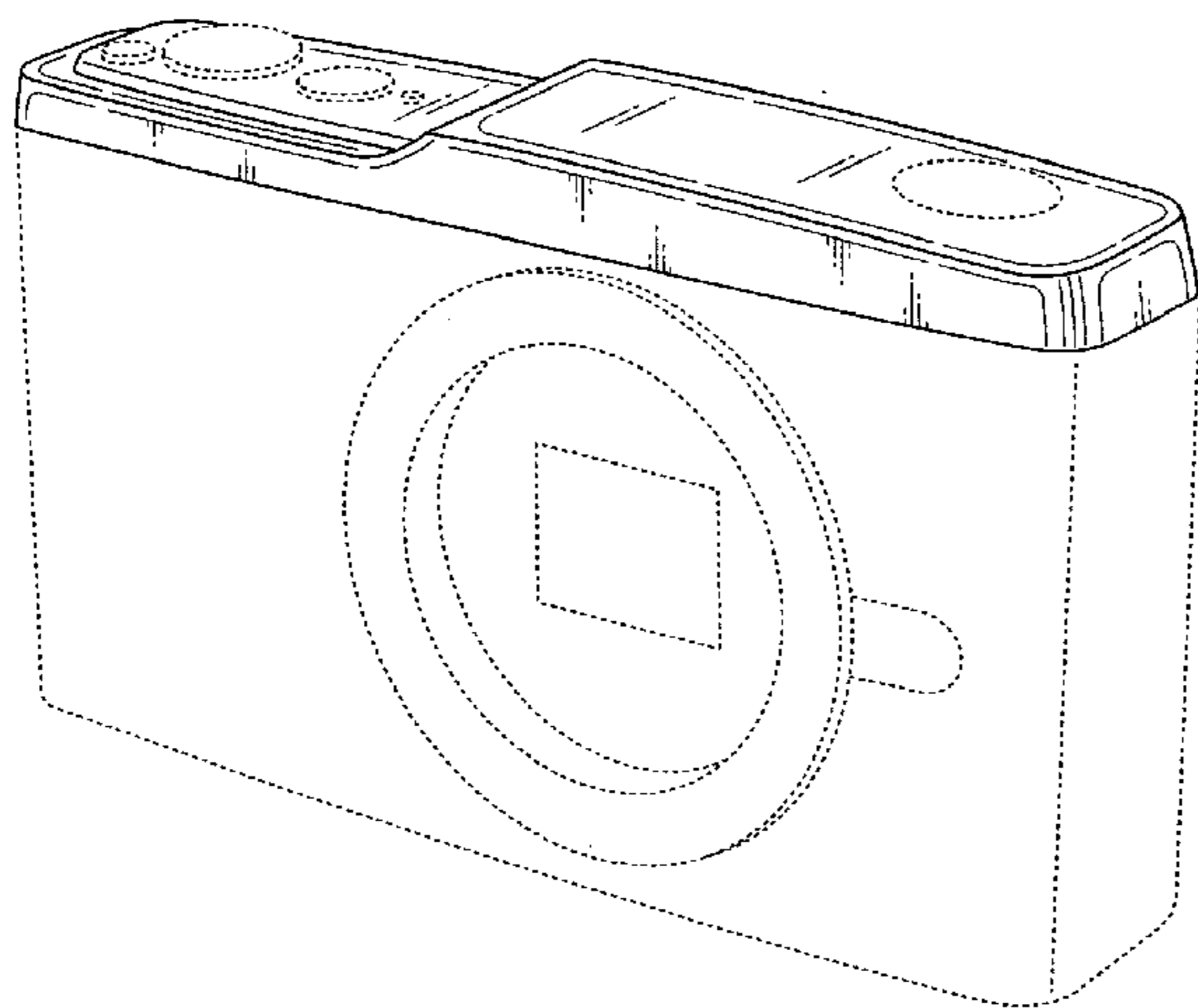
FIG. 6 is a bottom plan view thereof;

FIG. 7 is a left side elevational view thereof; and,

FIG. 8 is a right side elevational view thereof.

The broken lines show environment and are for illustrative purposes only; the broken lines form no part of the claimed design.

1 Claim, 3 Drawing Sheets



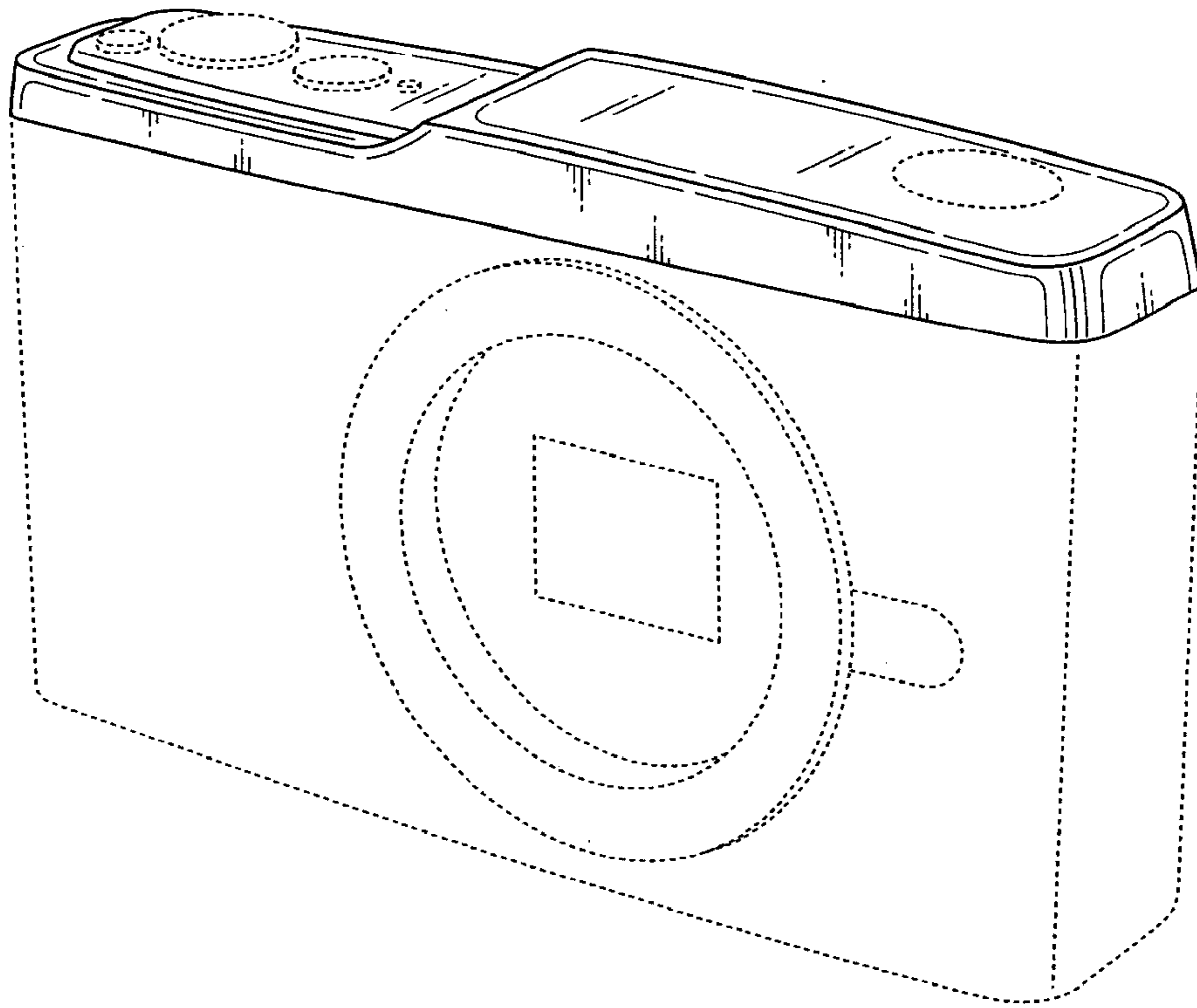


FIG. 1

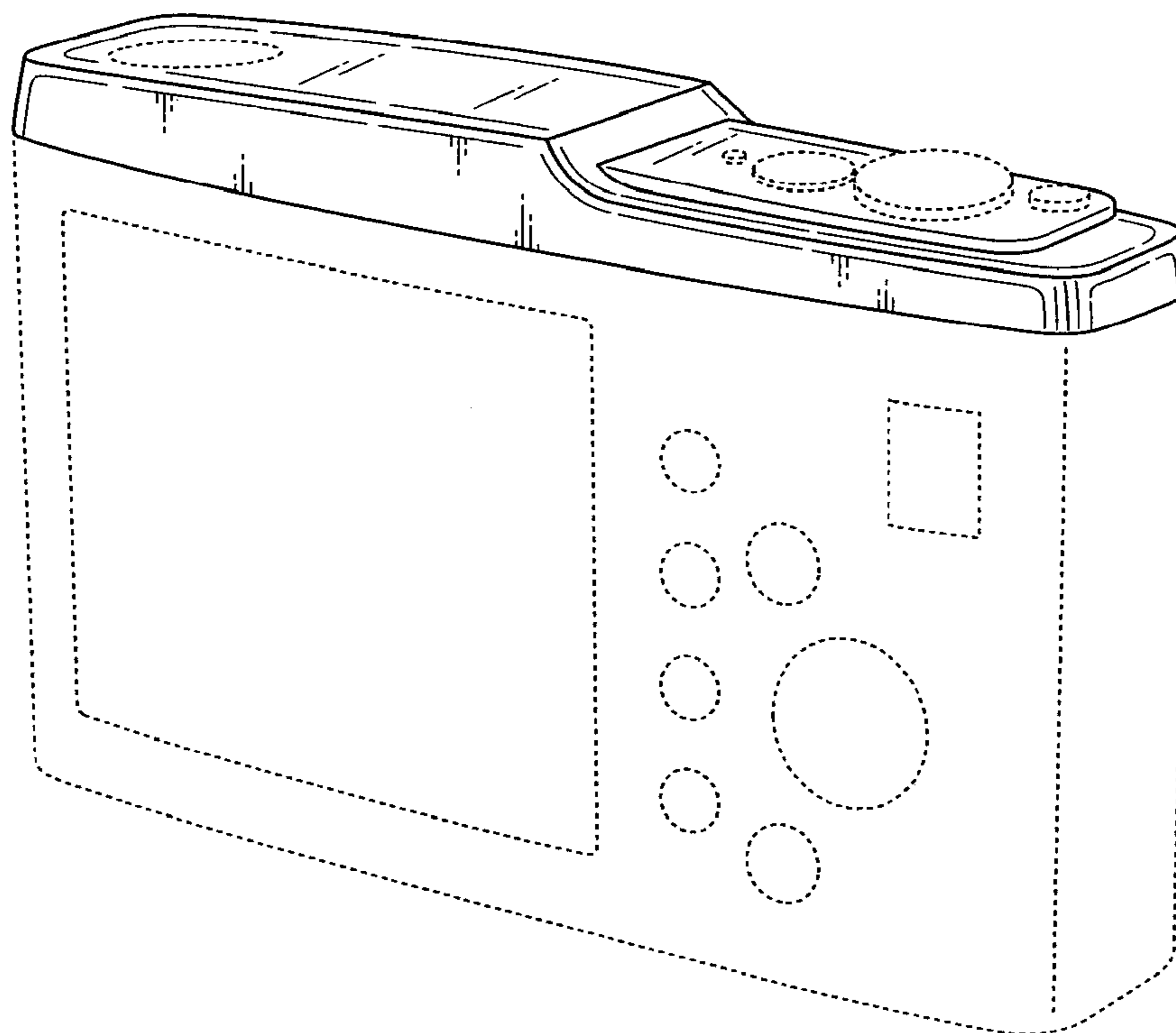


FIG. 2

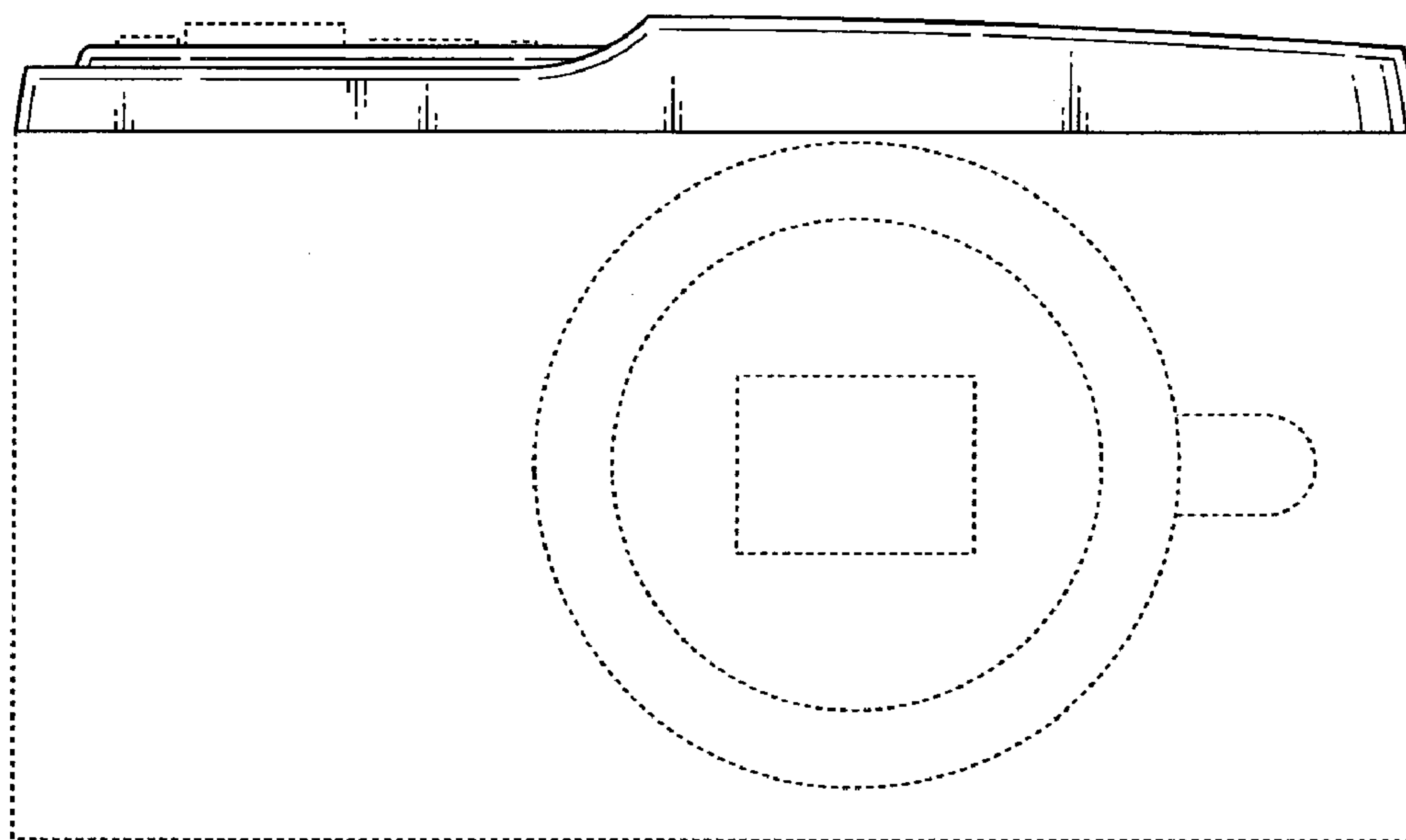


FIG. 3

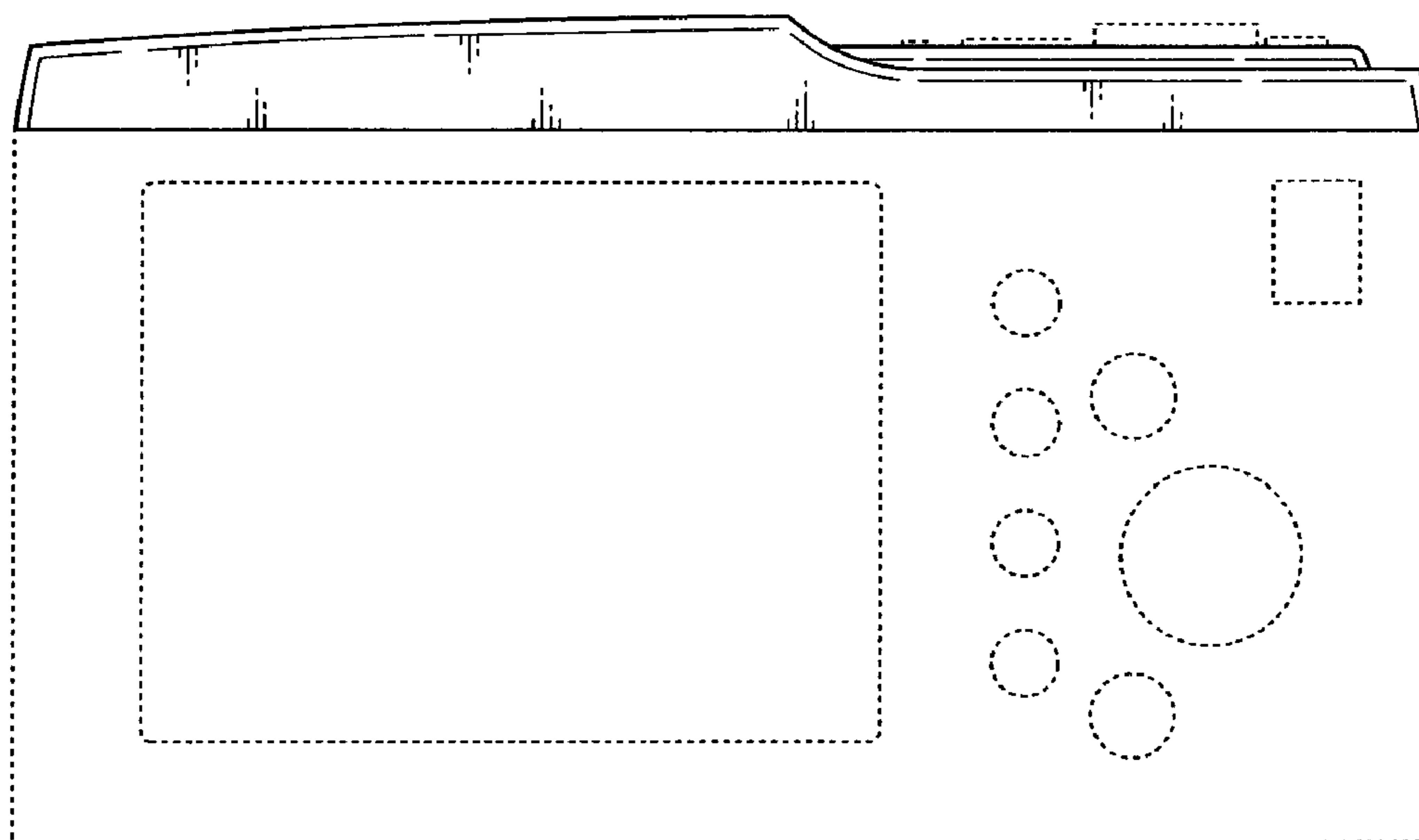


FIG. 4

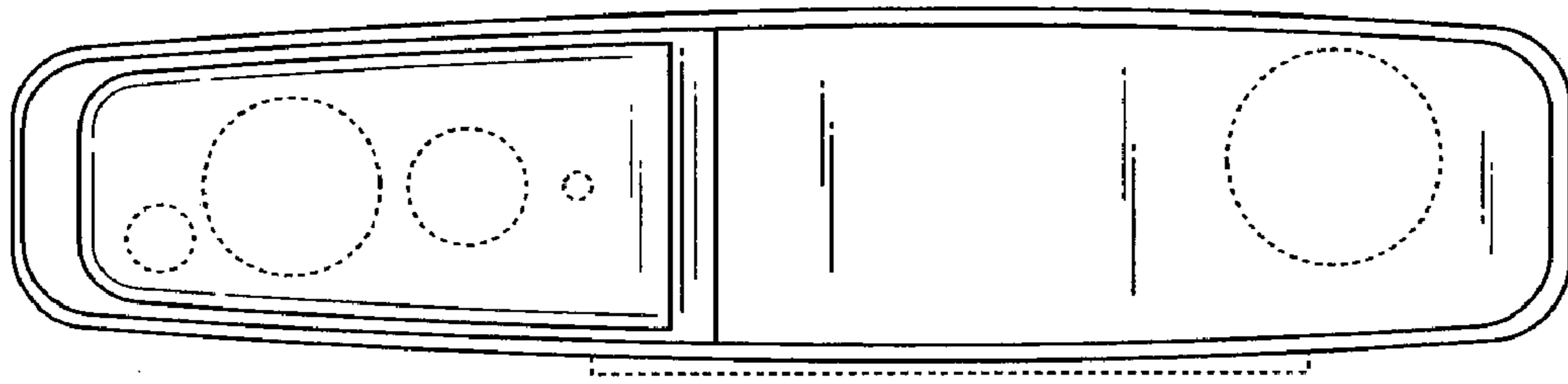


FIG. 5

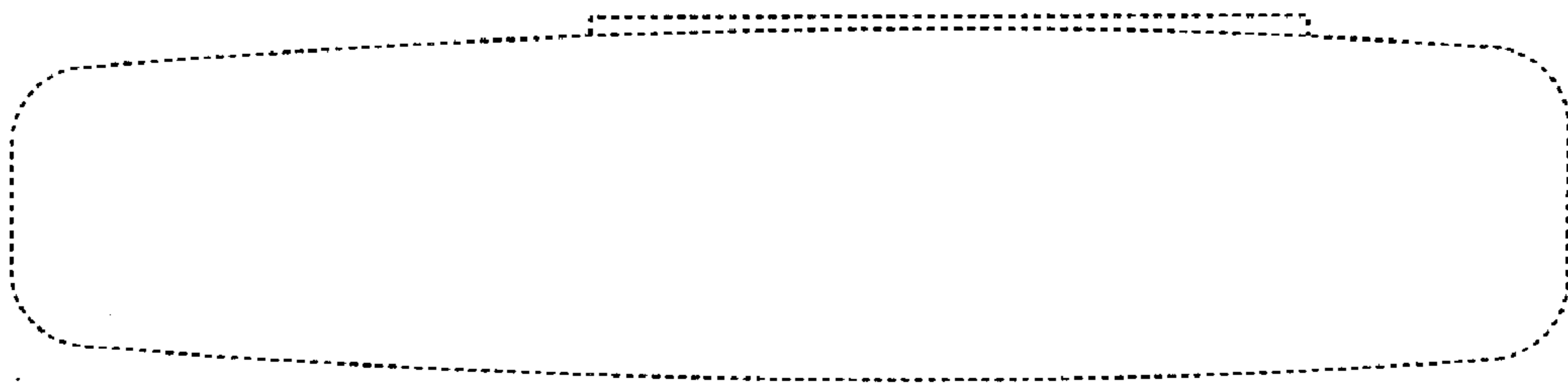


FIG. 6

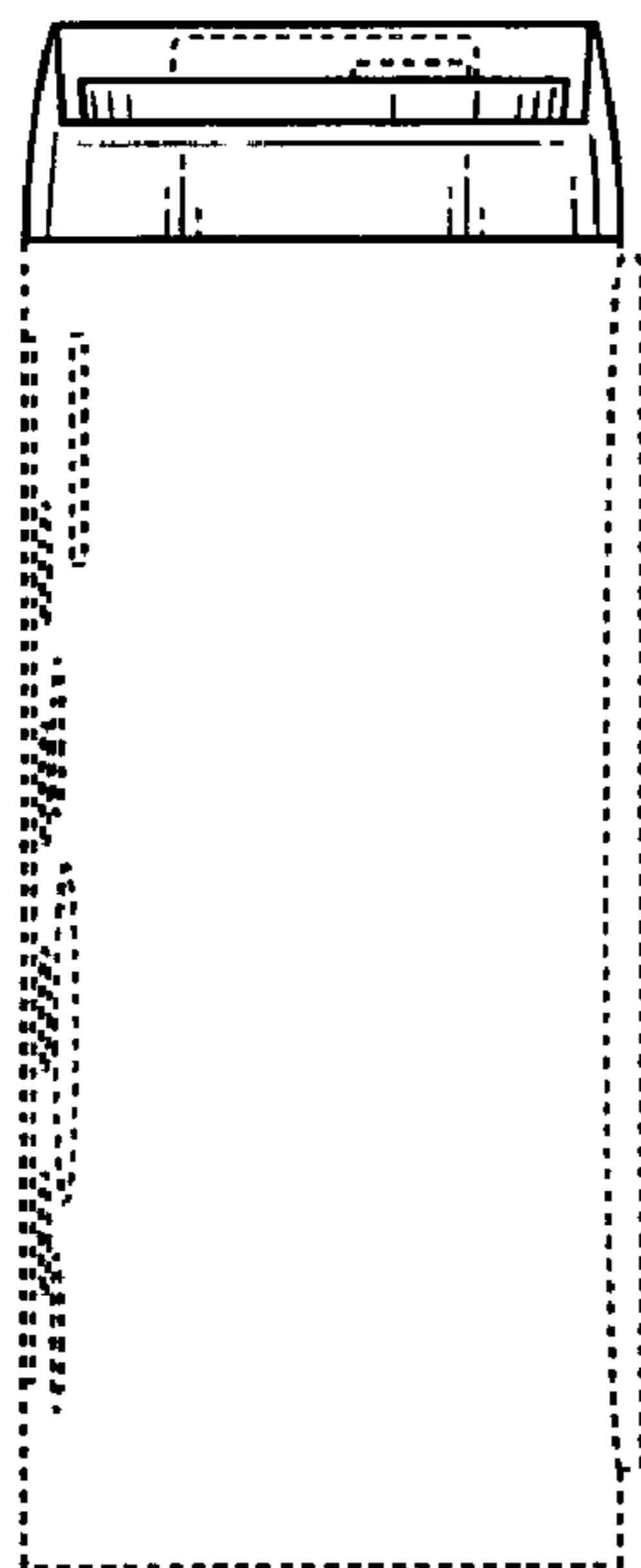


FIG. 7

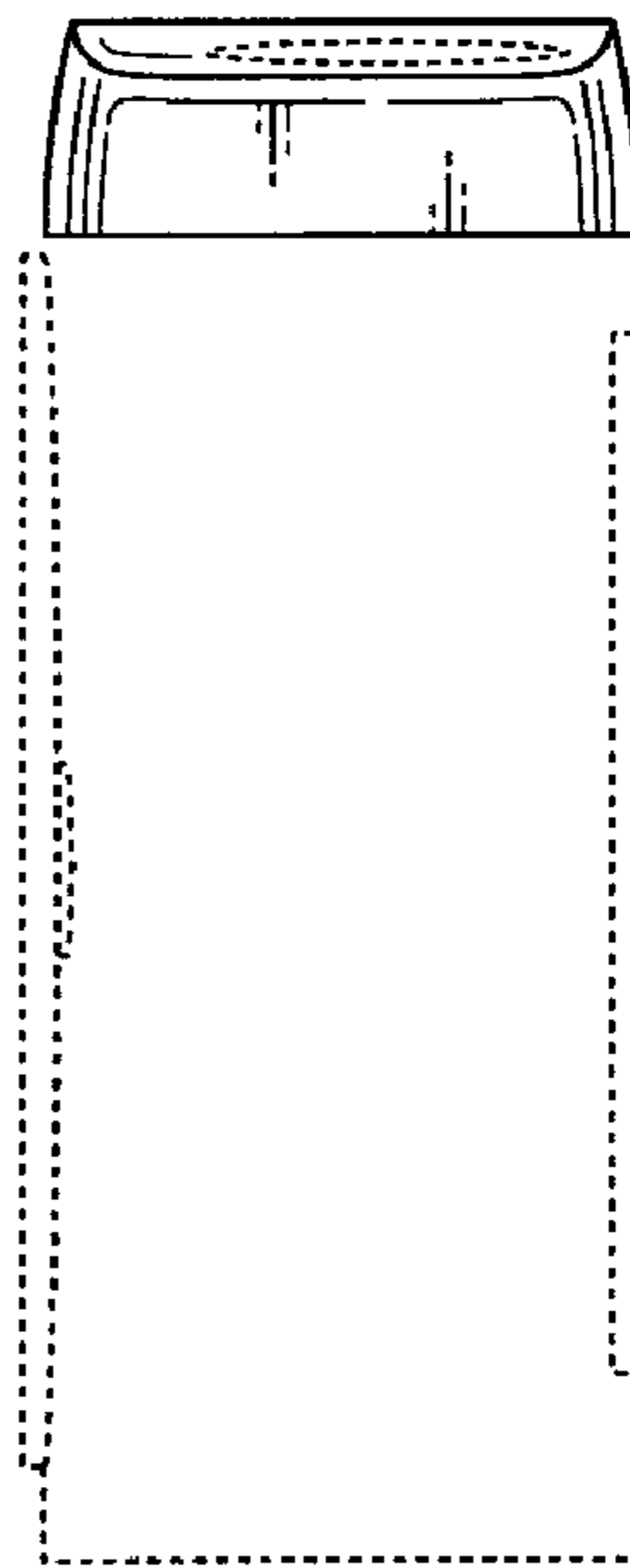


FIG. 8