



US00D638459S

(12) **United States Design Patent**
Park

(10) **Patent No.:** **US D638,459 S**

(45) **Date of Patent:** **** May 24, 2011**

(54) **CAMERA FOR CLOSED CIRCUIT TELEVISION**

(75) Inventor: **Younghoon Park**, Ansan-Si (KR)

(73) Assignee: **CNB Technology Inc.** (KR)

(**) Term: **14 Years**

(21) Appl. No.: **29/359,594**

(22) Filed: **Apr. 13, 2010**

(51) **LOC (9) Cl.** **16-01**

(52) **U.S. Cl.** **D16/203**

(58) **Field of Classification Search** D16/200–204,
D16/218, 219; 348/143, 151, 373–376; 396/427,
396/535–541

See application file for complete search history.

(56) **References Cited**

U.S. PATENT DOCUMENTS

D325,212 S *	4/1992	Elberbaum	D16/219
6,715,940 B2 *	4/2004	Top et al.	348/143
7,170,560 B2 *	1/2007	Tatewaki et al.	348/375
D554,171 S *	10/2007	Deng	D16/203

D556,235 S *	11/2007	Todd et al.	D16/203
D556,236 S *	11/2007	Kim	D16/203
7,651,281 B2 *	1/2010	Wen	348/373
7,661,890 B2 *	2/2010	Basho	396/427
2010/0013984 A1 *	1/2010	Loiacono	348/373

* cited by examiner

Primary Examiner — Adir Aronovich

(74) *Attorney, Agent, or Firm* — Cantor Colburn LLP

(57) **CLAIM**

The ornamental design for a camera for closed circuit television, as shown and described.

DESCRIPTION

FIG. 1 is a perspective view of camera for closed circuit television, showing my new design;
FIG. 2 is a front elevational view thereof;
FIG. 3 is a rear elevational view thereof;
FIG. 4 is a left side elevational view thereof;
FIG. 5 is a right side elevational view thereof;
FIG. 6 is a top plan view thereof; and,
FIG. 7 is a bottom plan view.

1 Claim, 7 Drawing Sheets

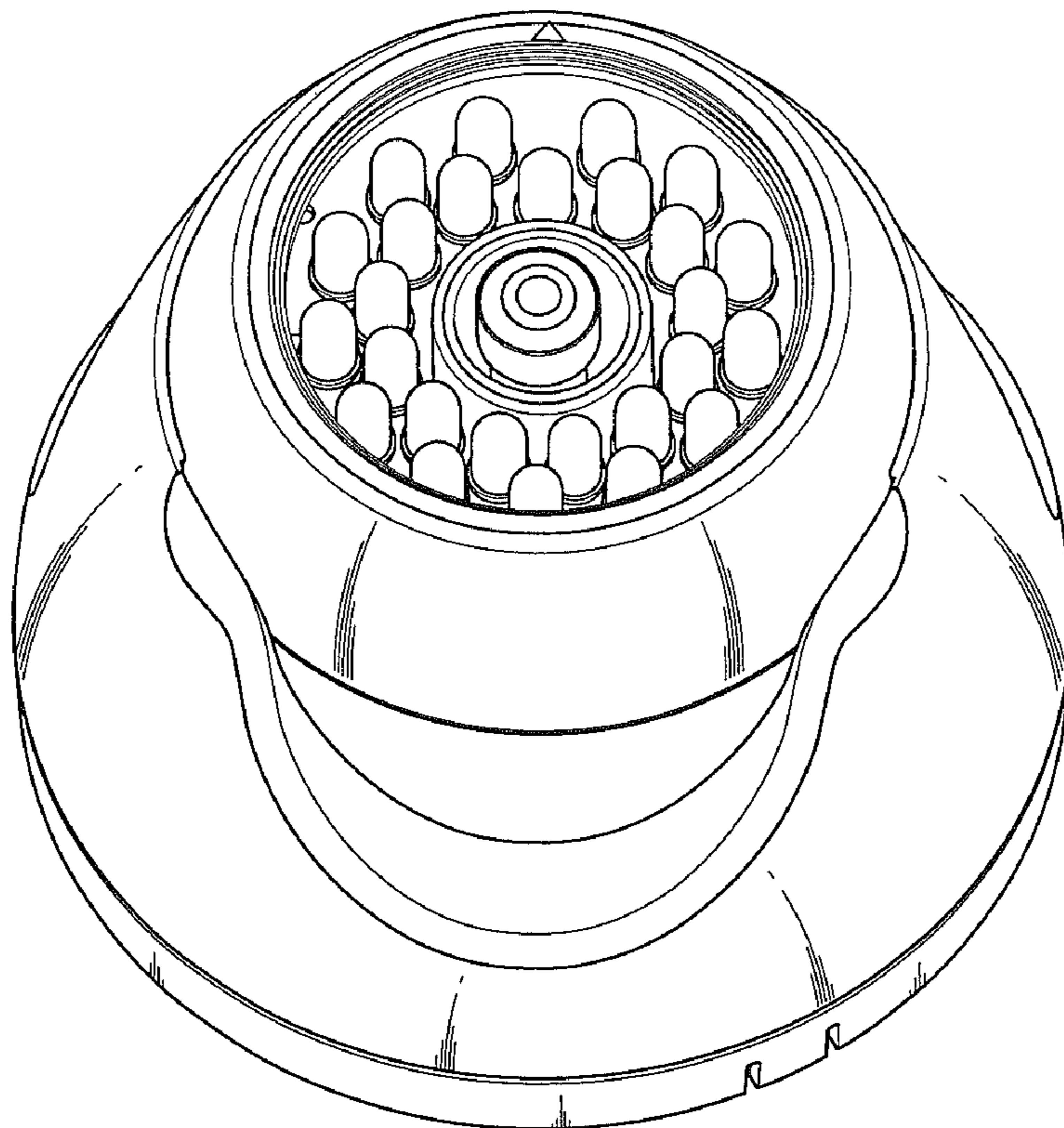


FIG. 1

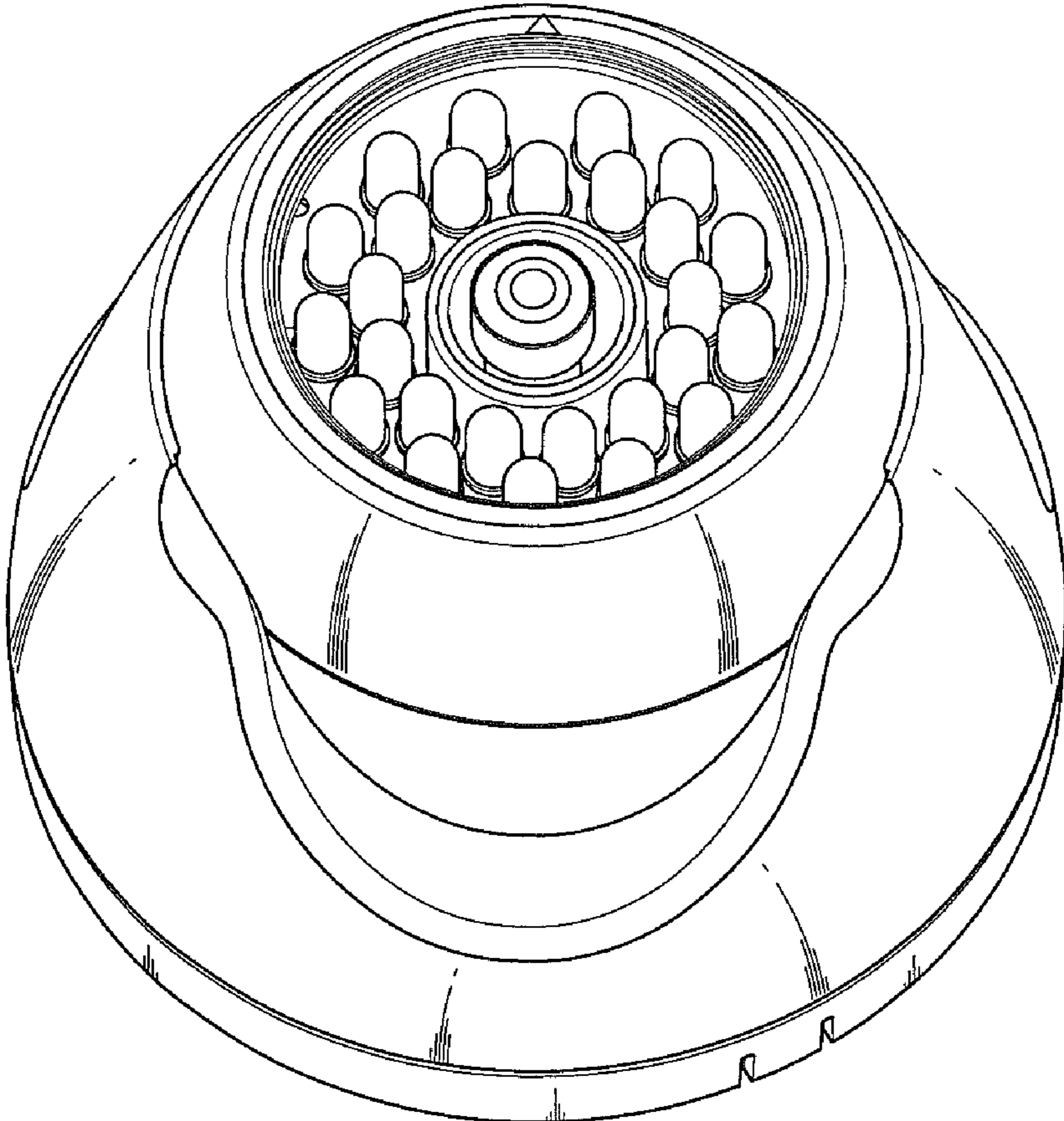


FIG. 2

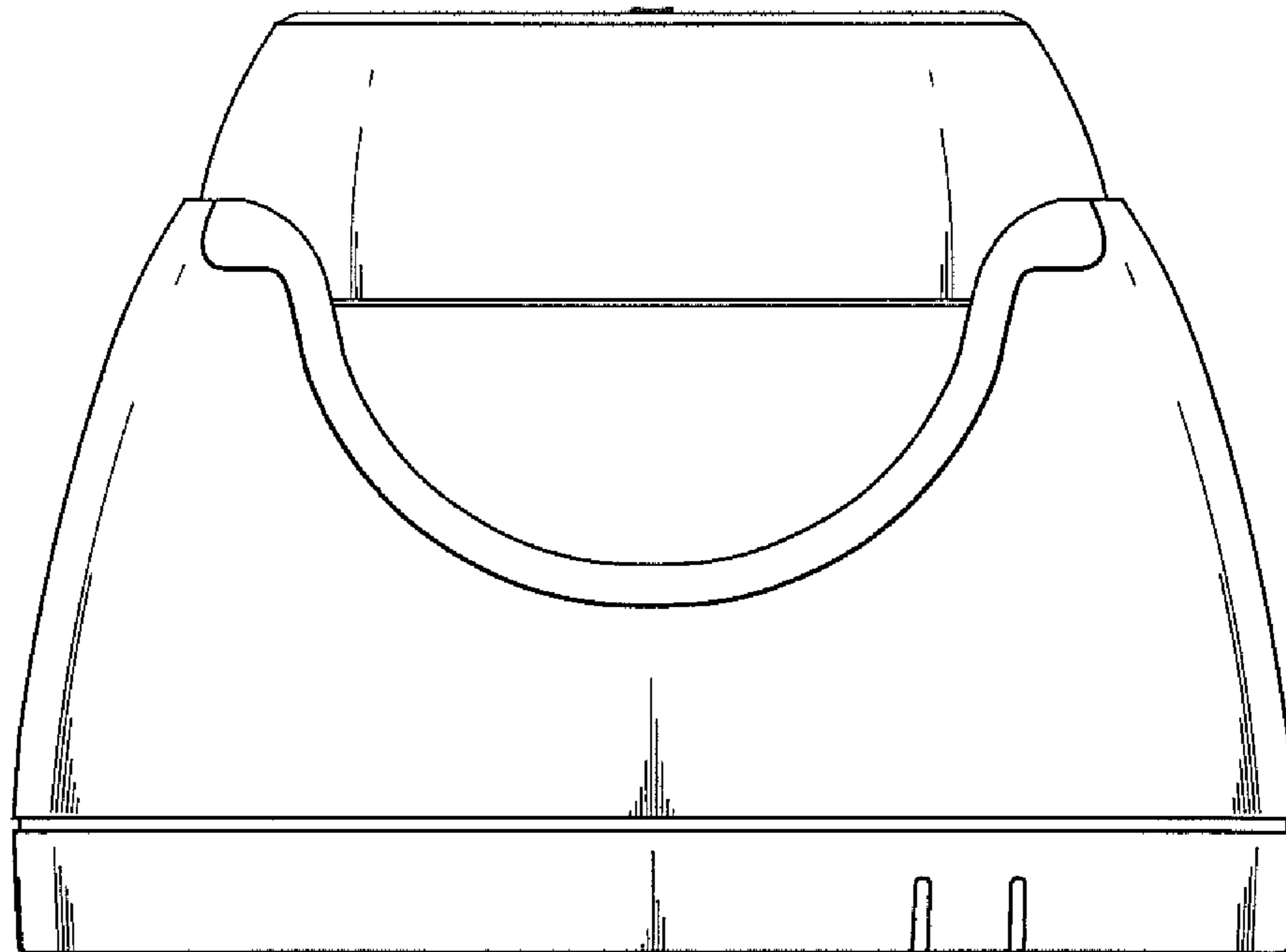


FIG. 3

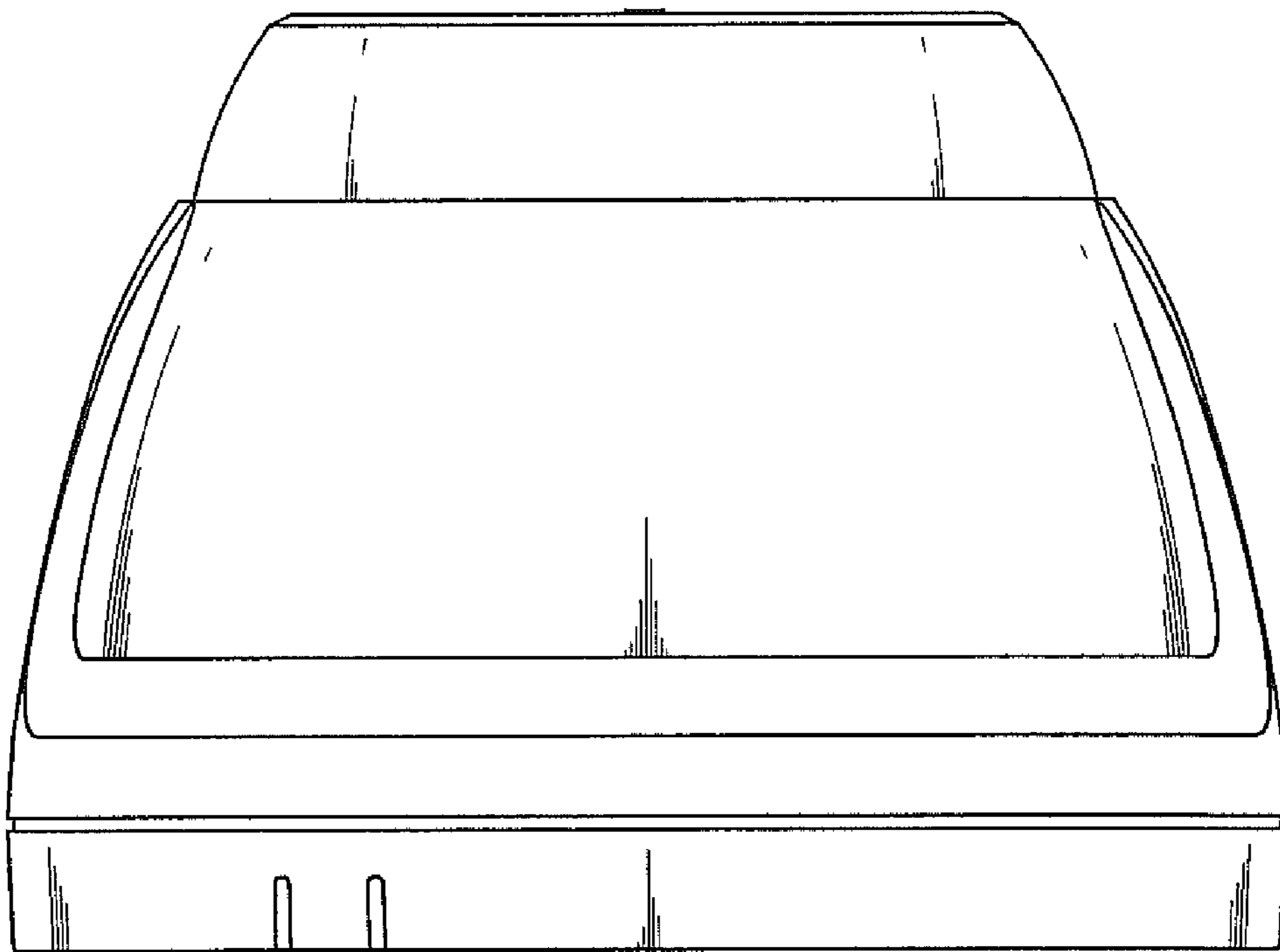


FIG. 4

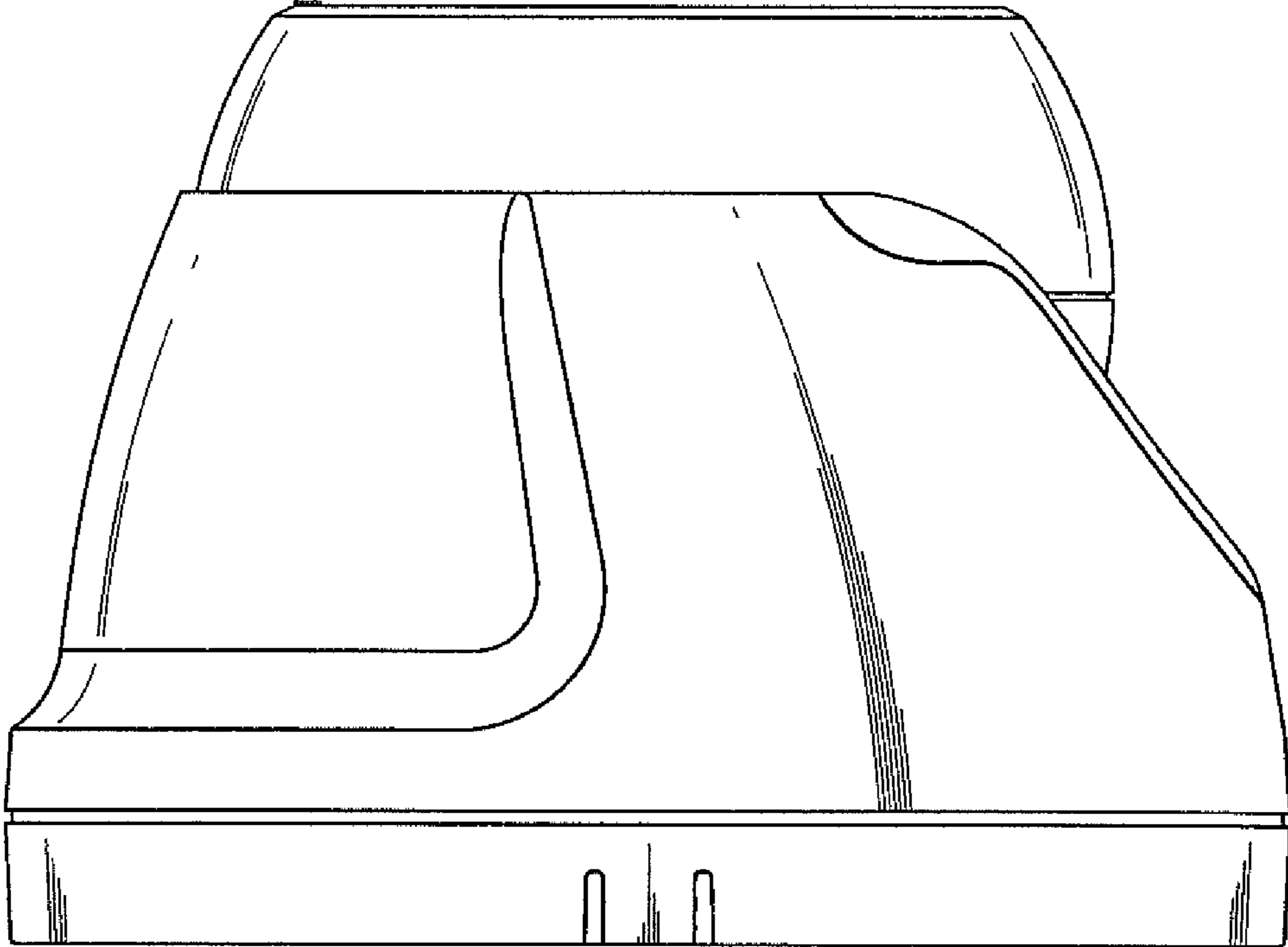


FIG. 5

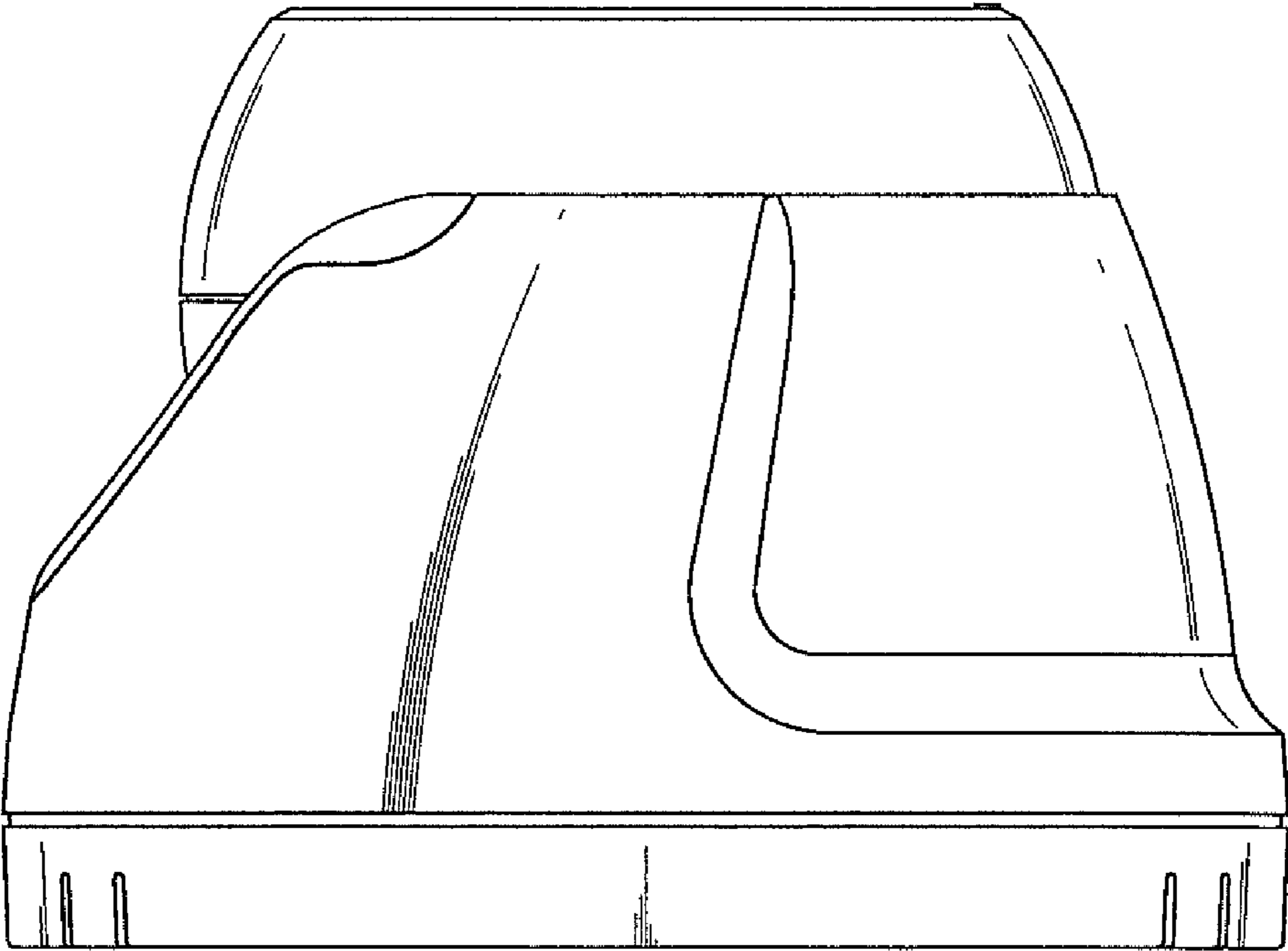


FIG. 6

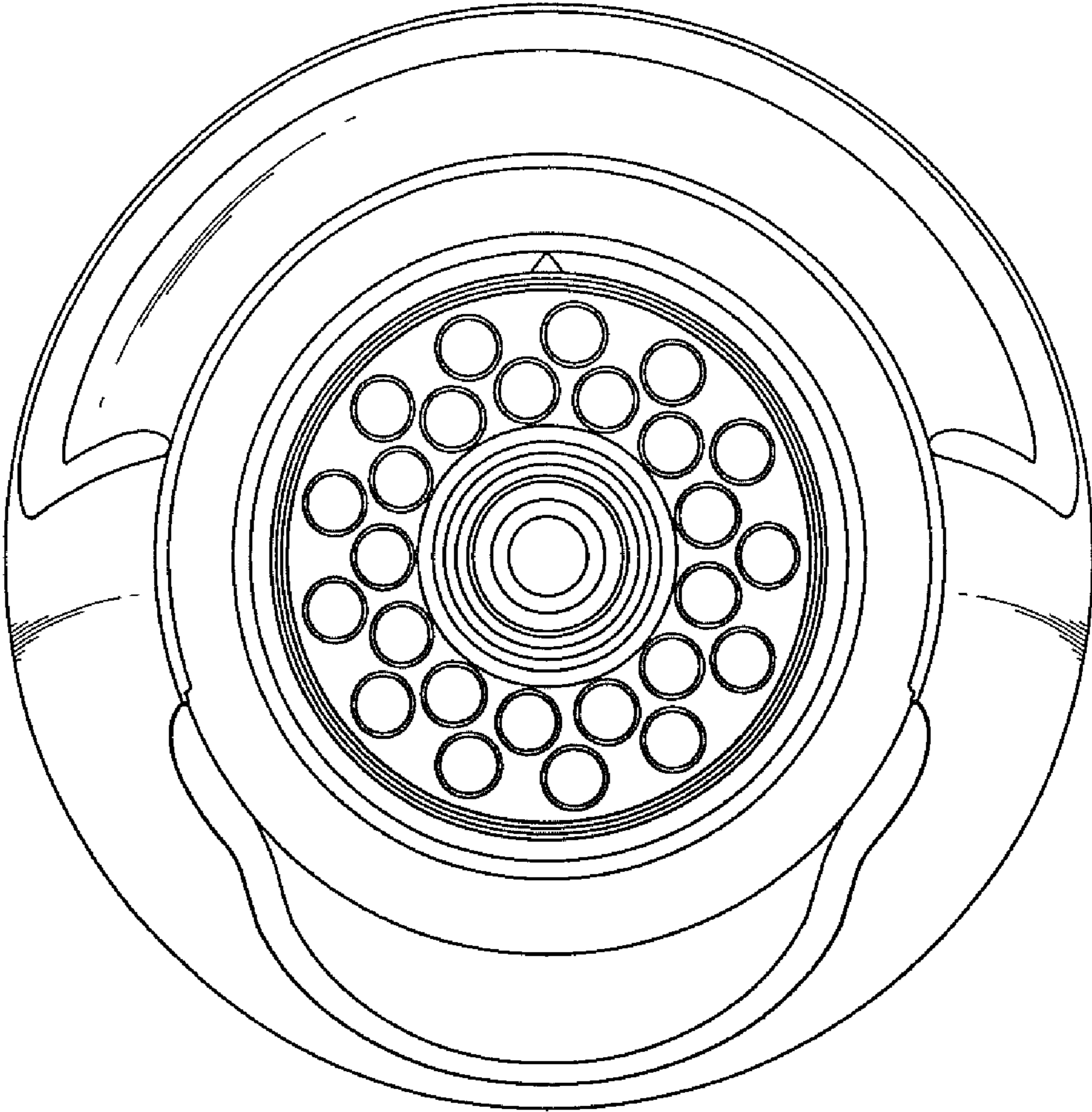


FIG. 7

