



US00D638458S

(12) **United States Design Patent**
Miyamori et al.

(10) **Patent No.:** **US D638,458 S**

(45) **Date of Patent:** **** May 24, 2011**

(54) **CAMCORDER**

(75) Inventors: **Akihiko Miyamori**, Kanagawa (JP);
Eiichiro Hayashi, Tokyo (JP)

(73) Assignee: **Victor Company of Japan, Limited**,
Yokohama-shi, Kanagawa (JP)

(**) Term: **14 Years**

(21) Appl. No.: **29/380,577**

(22) Filed: **Dec. 8, 2010**

(30) **Foreign Application Priority Data**

Jun. 9, 2010 (JP) D2010-014172

(51) **LOC (9) Cl.** **16-01**

(52) **U.S. Cl.** **D16/202**

(58) **Field of Classification Search** D16/200–204,
D16/208, 218; 348/373–376; 358/909.1;
396/535–541

See application file for complete search history.

(56) **References Cited**

U.S. PATENT DOCUMENTS

D296,551 S * 7/1988 Mizogui D16/202
5,612,732 A * 3/1997 Yuyama et al. 348/373
6,683,653 B1 * 1/2004 Miyake et al. 348/376
D552,141 S * 10/2007 Kaplan et al. D16/202

D556,231 S * 11/2007 Kato et al. D16/202
7,414,668 B2 * 8/2008 Takahashi 348/373
D591,321 S * 4/2009 Sheppard et al. D16/202
D594,047 S * 6/2009 Lee D16/202
D607,479 S * 1/2010 Yu D16/202
D617,821 S * 6/2010 Kaplan et al. D16/202
2007/0296853 A1 * 12/2007 Ho 348/373

* cited by examiner

Primary Examiner — Adir Aronovich

(74) *Attorney, Agent, or Firm* — The Nath Law Group;
Jerald L. Meyer; Derek Richmond

(57) **CLAIM**

The ornamental design for a camcorder, as shown and described.

DESCRIPTION

FIG. 1 is a front and right side perspective view of a camcorder showing our new design;

FIG. 2 is a rear and left side perspective view thereof;

FIG. 3 is a front elevational view thereof;

FIG. 4 is a rear elevational view thereof;

FIG. 5 is left side elevational view thereof;

FIG. 6 is a right side elevational view thereof;

FIG. 7 is a top plan view thereof; and,

FIG. 8 is a bottom plan view thereof.

The broken lines showing on the drawing disclosure are for illustrative purposes only and form no part of the claimed design.

1 Claim, 6 Drawing Sheets

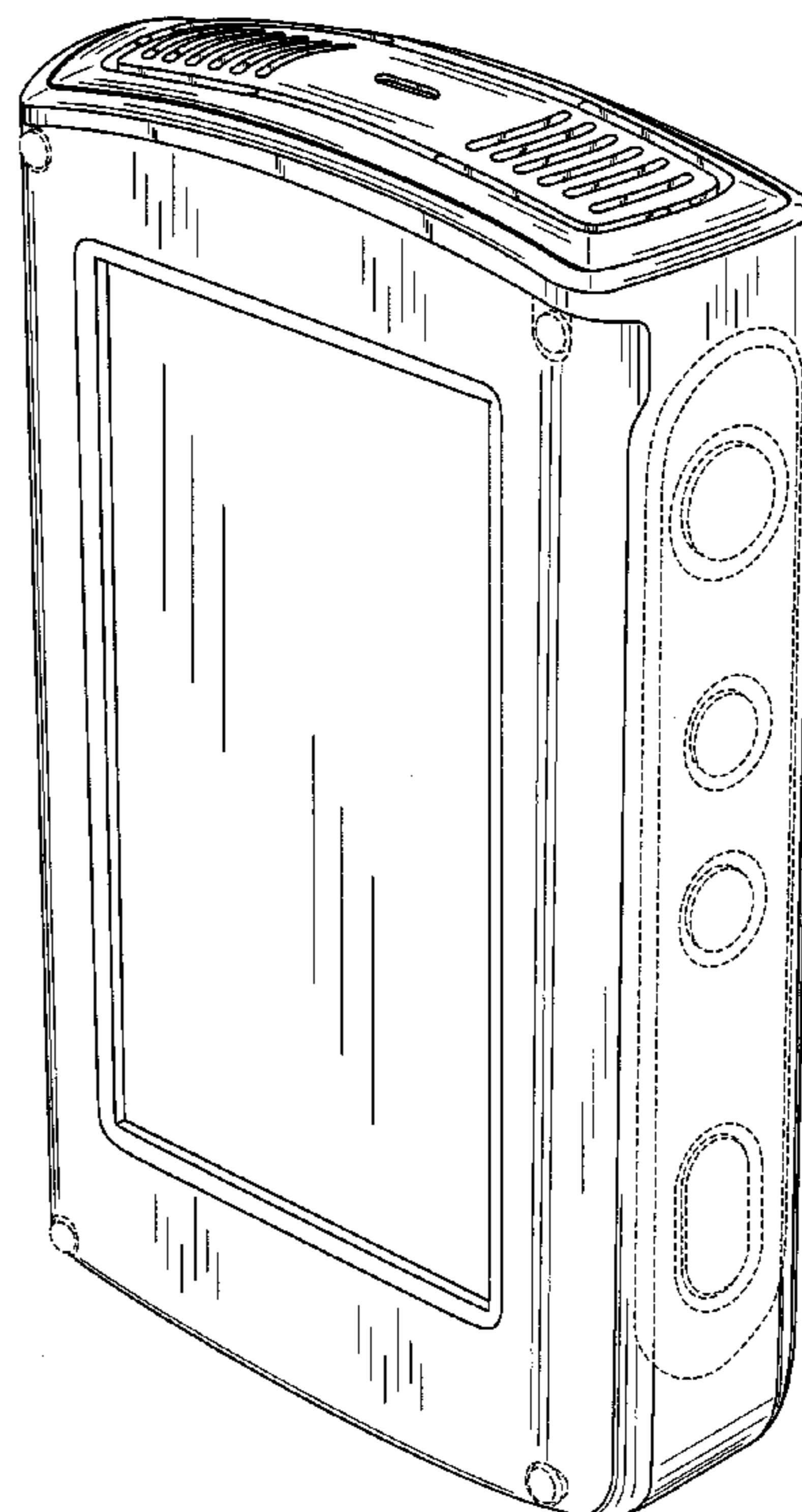
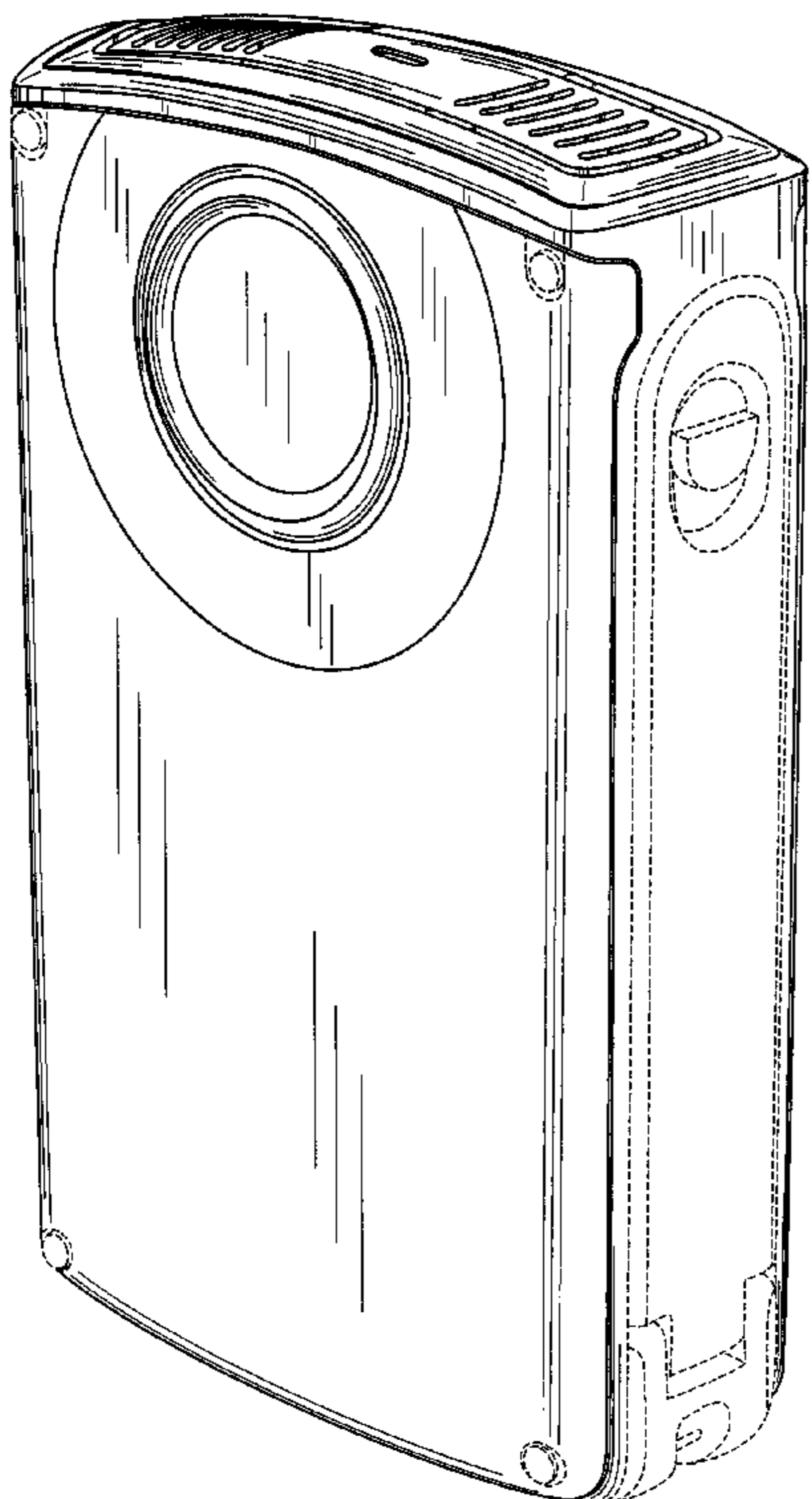


Fig.1

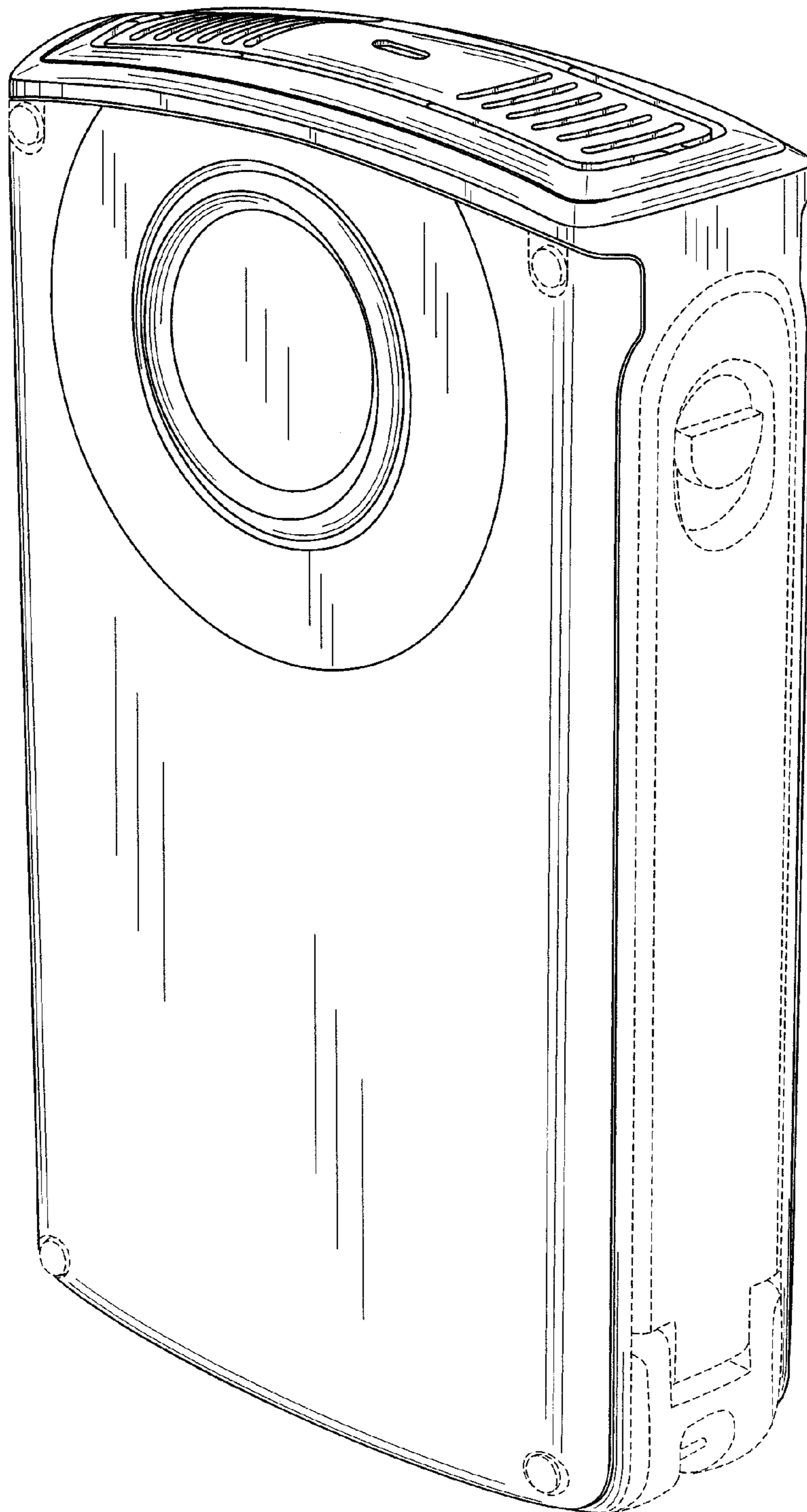


Fig.2

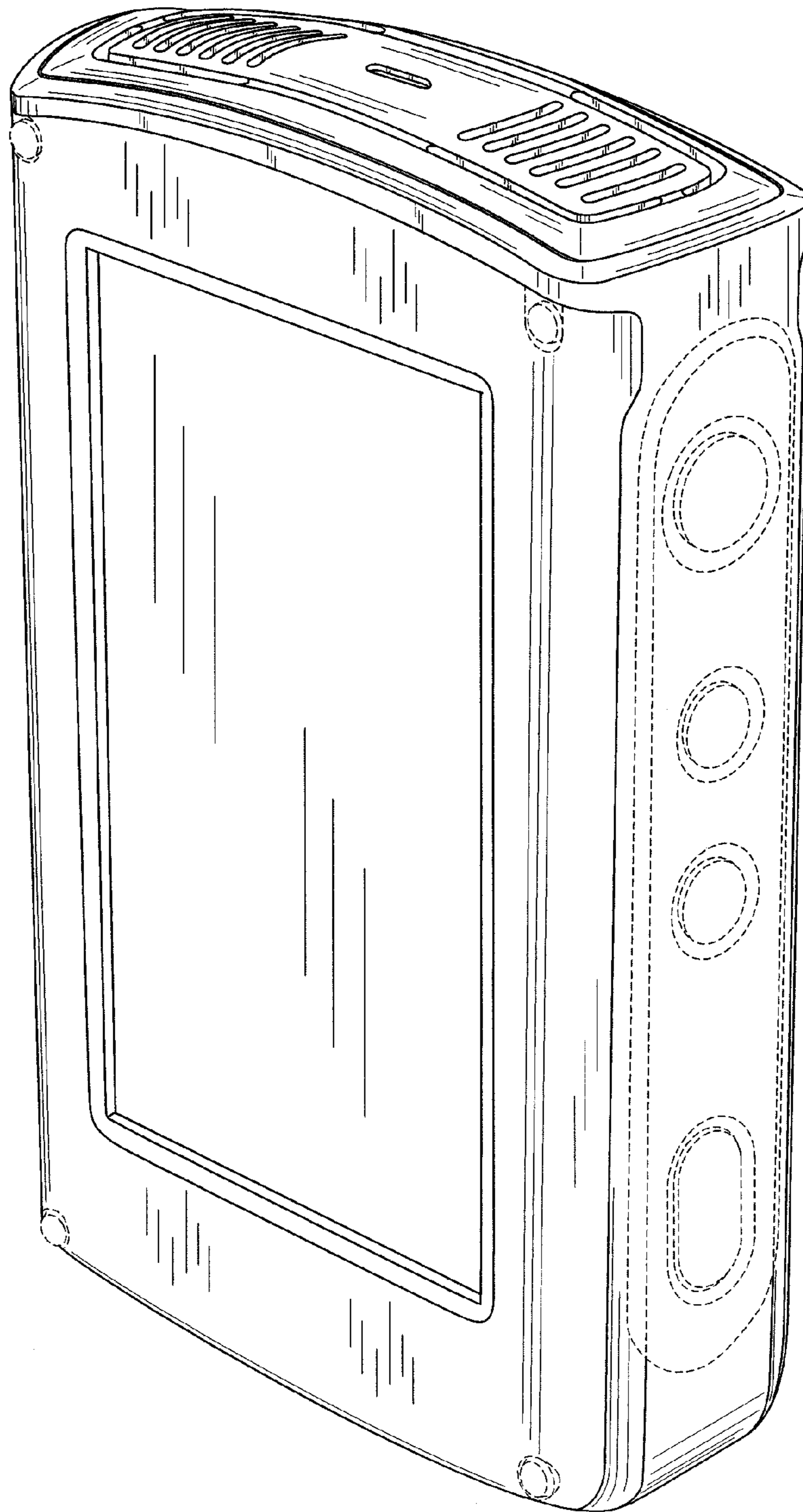


Fig.3

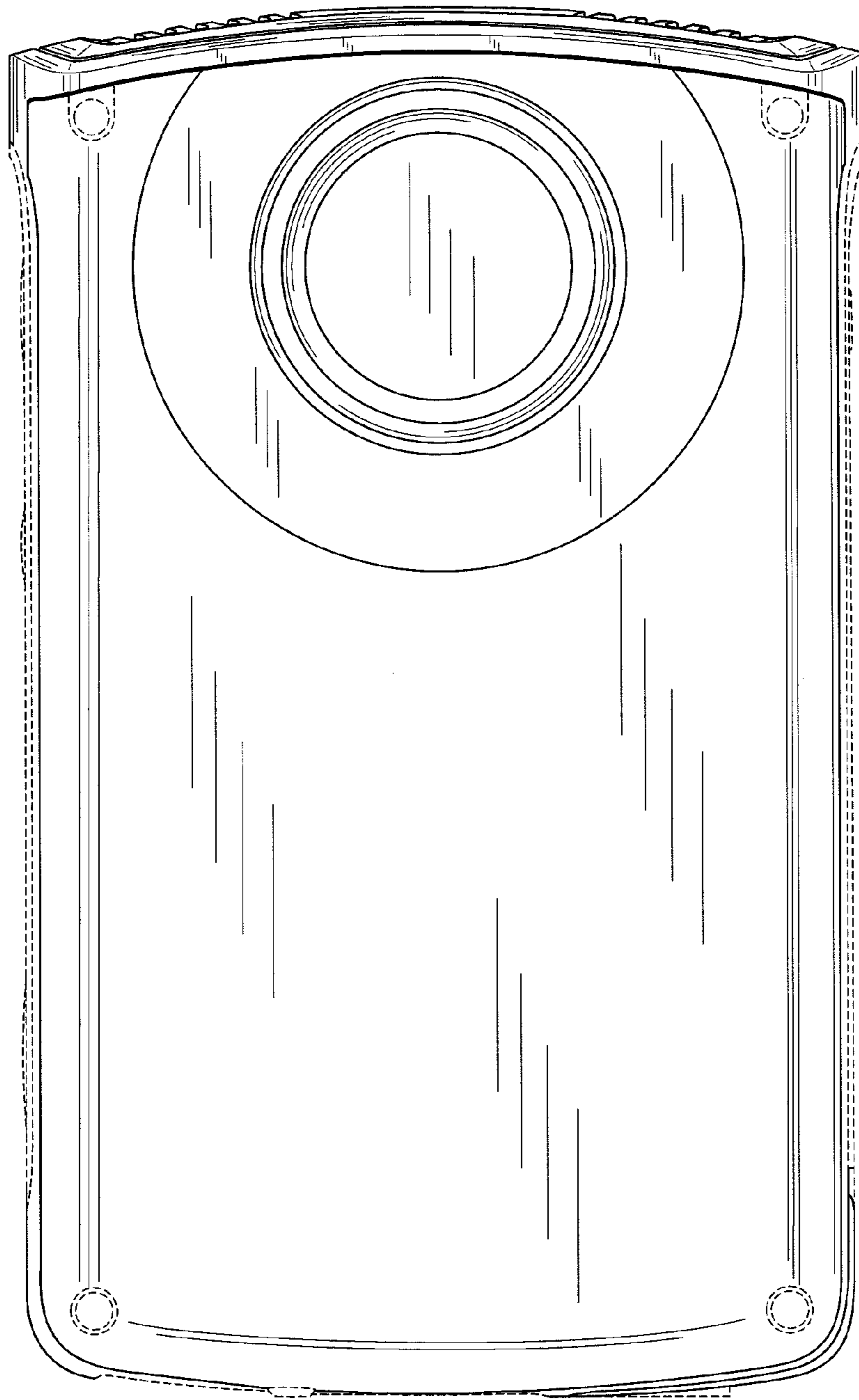


Fig.4

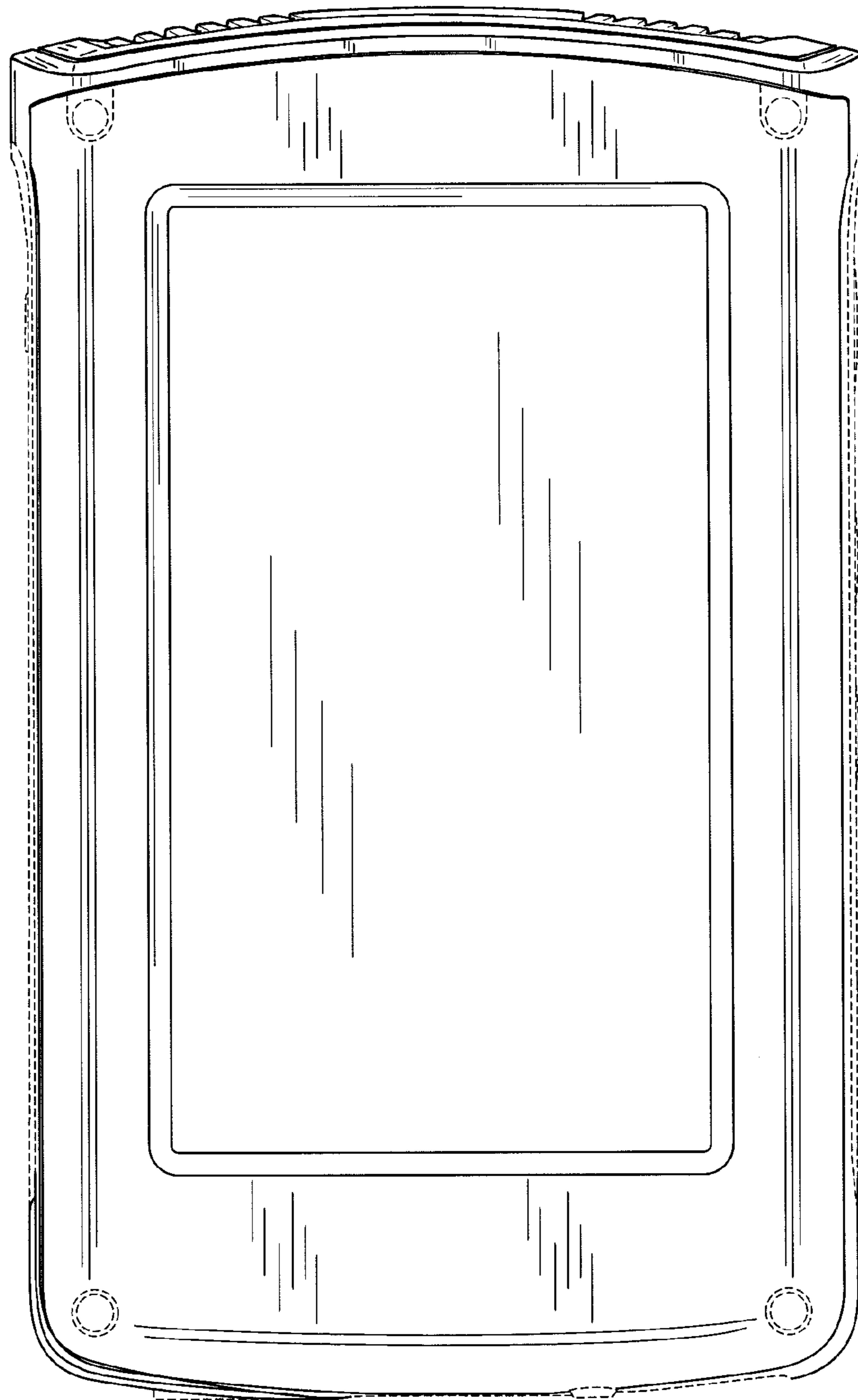


Fig.5

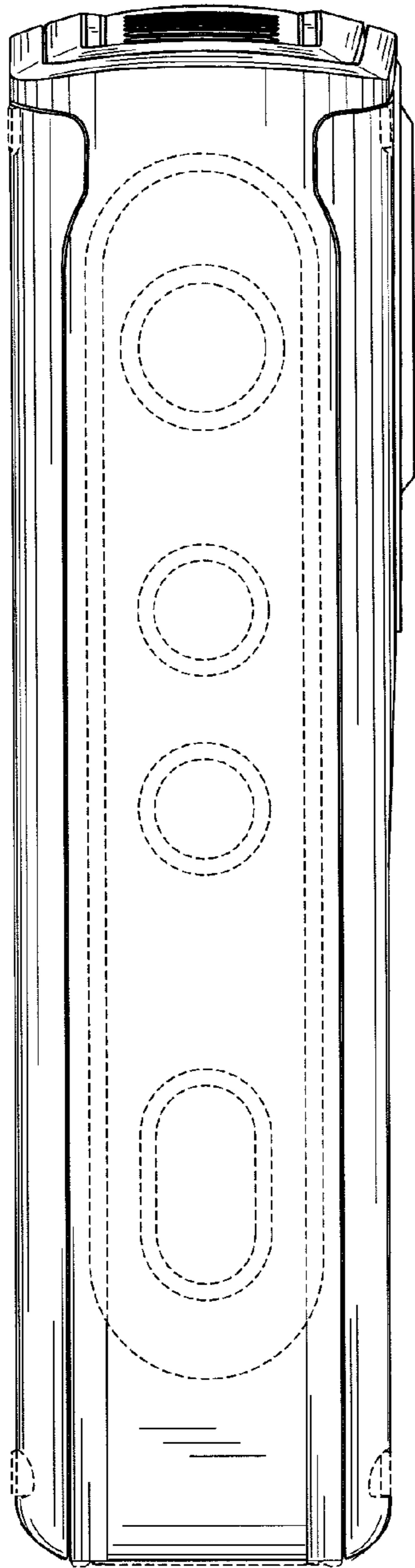


Fig.6

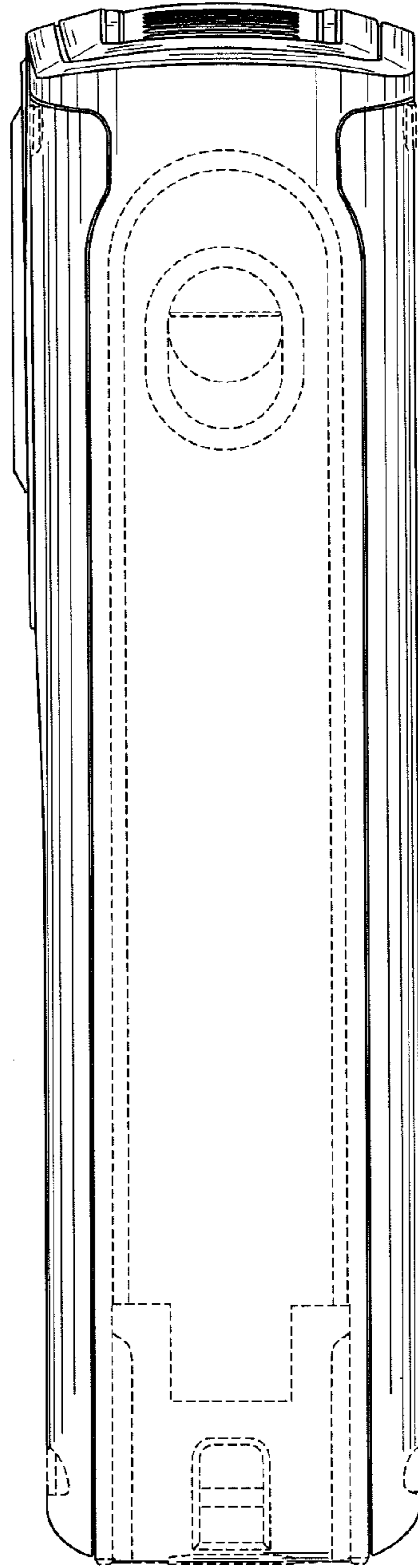


Fig.7

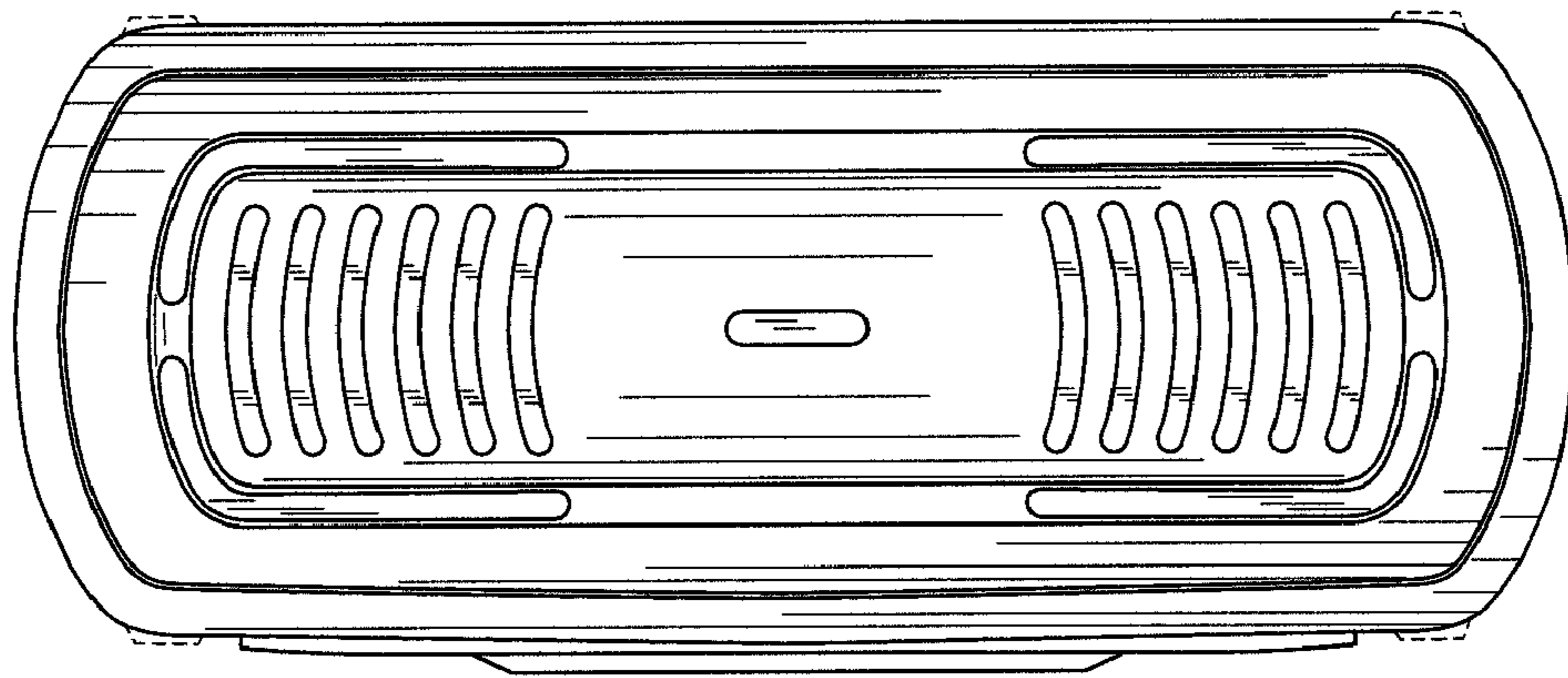


Fig.8

