



US00D638457S

(12) **United States Design Patent**
Oikawa et al.

(10) **Patent No.:** **US D638,457 S**

(45) **Date of Patent:** **** May 24, 2011**

(54) **VIDEO CAMCORDER**

(75) Inventors: **Yuji Oikawa**, Marina Del Rey, CA (US);
Isamu Arie, San Diego, CA (US)

(73) Assignee: **Sony Corporation**, Tokyo (JP)

(**) Term: **14 Years**

(21) Appl. No.: **29/365,659**

(22) Filed: **Jul. 13, 2010**

(51) **LOC (9) Cl.** **16-01**

(52) **U.S. Cl.** **D16/202**

(58) **Field of Classification Search** D16/200–204,
D16/208, 218, 219; 348/373–376; 358/909.1;
396/535–541

See application file for complete search history.

(56) **References Cited**

U.S. PATENT DOCUMENTS

7,025,275	B2 *	4/2006	Huang et al.	235/486
D527,403	S *	8/2006	Byun et al.	D16/202
D591,321	S *	4/2009	Sheppard et al.	D16/202
7,605,862	B2 *	10/2009	Hou	348/373
D607,914	S *	1/2010	Kaplan et al.	D16/219
D608,813	S *	1/2010	Hong et al.	D16/218
D610,600	S *	2/2010	Sheppard et al.	D16/219
7,755,323	B2 *	7/2010	Wu	320/114

OTHER PUBLICATIONS

DXG USA, "DXG Unveils Consumer 3D Camcorder", <http://today3d.blogspot.com/2010/04/dxg-unveils-consumer-3d-camcorder.html>.

DXG USA, "DXG Technology DVV 563 Camcorder", <http://www.shopping.com/xPO-DXG-Technology-DVV-563>.

* cited by examiner

Primary Examiner — Adir Aronovich

(74) *Attorney, Agent, or Firm* — John L. Roqitz

(57) **CLAIM**

The ornamental design for a video camcorder, as shown and described.

DESCRIPTION

FIG. 1 is a front and top perspective view of a video camera showing our new design;

FIG. 2 is a front, bottom and right side perspective view thereof;

FIG. 3 is a rear, bottom and left side perspective view thereof with a removable memory unit in an extended position;

FIG. 4 is a rear elevational view thereof;

FIG. 5 is a front elevational view thereof;

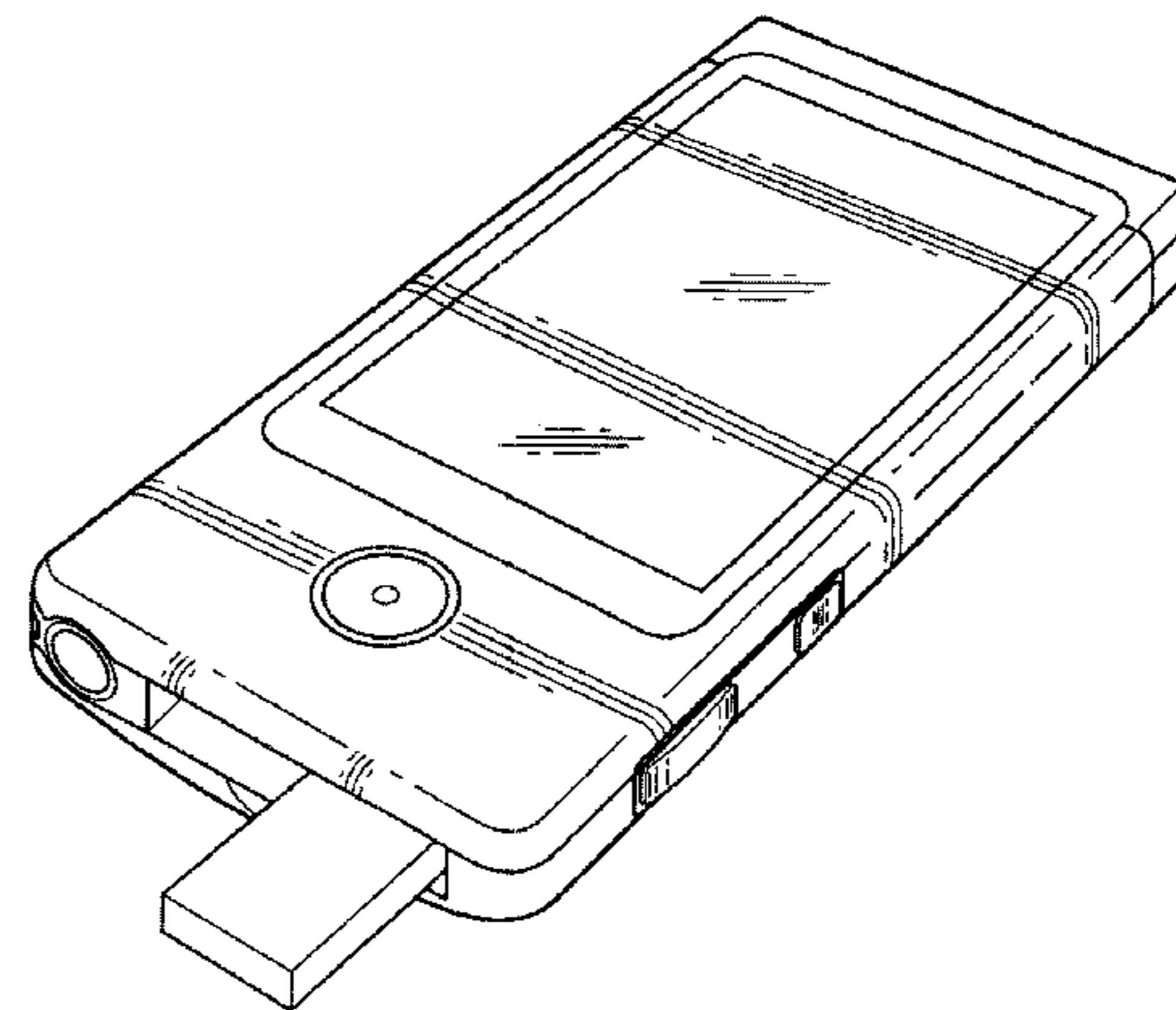
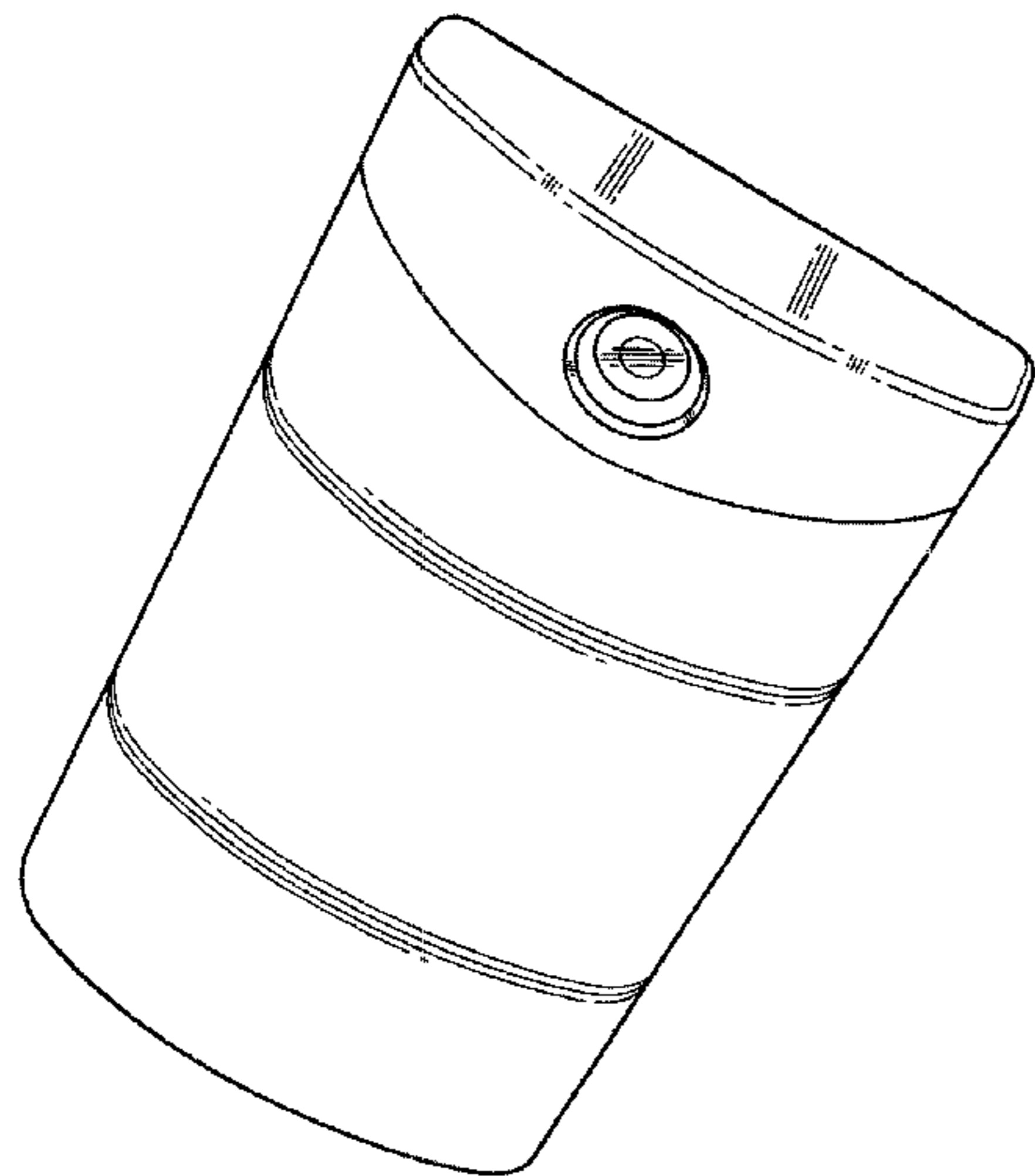
FIG. 6 is a left side elevational view thereof;

FIG. 7 is a right side elevational view thereof;

FIG. 8 is a top plan view thereof; and,

FIG. 9 is a bottom plan thereof.

1 Claim, 4 Drawing Sheets



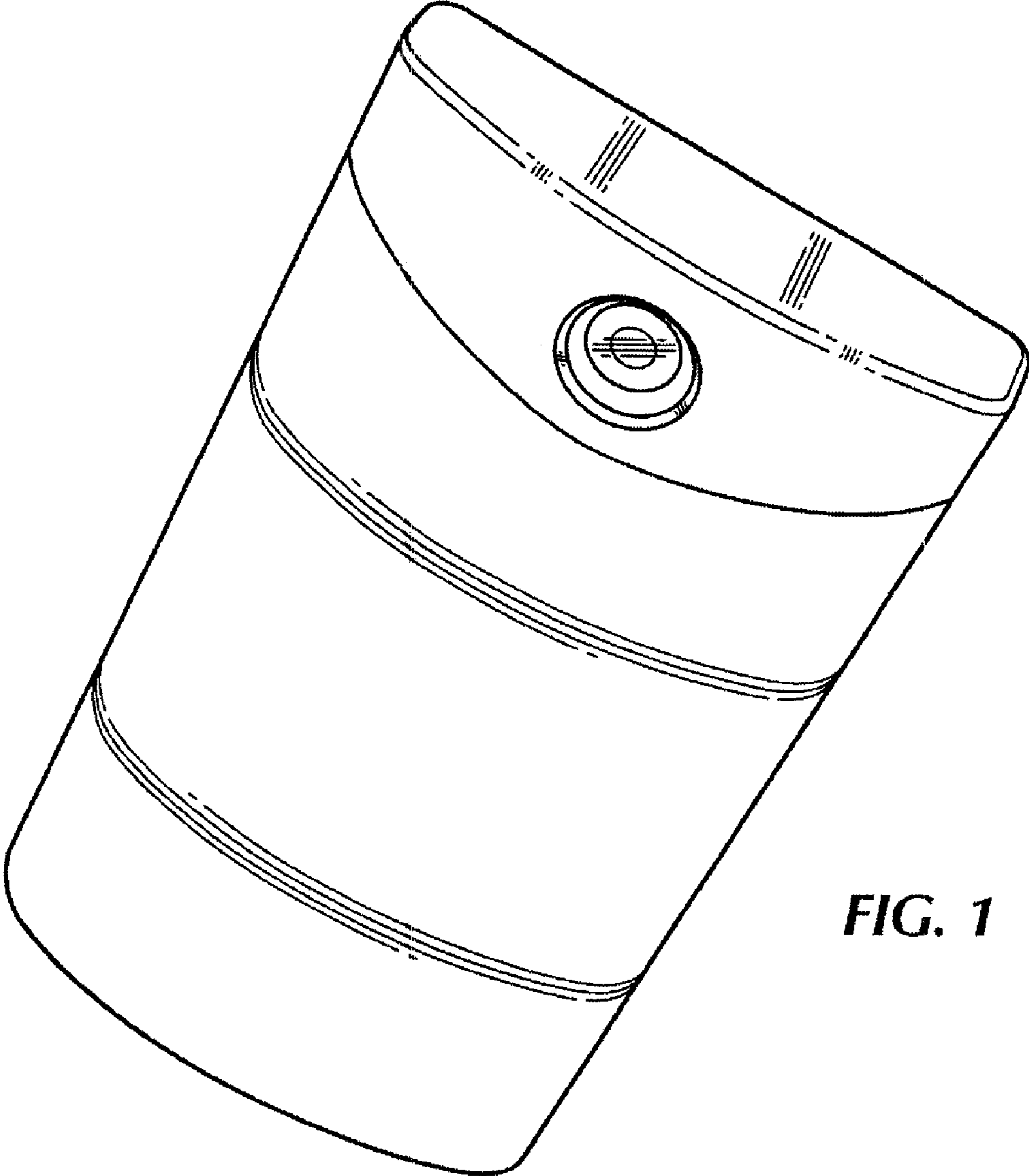


FIG. 1

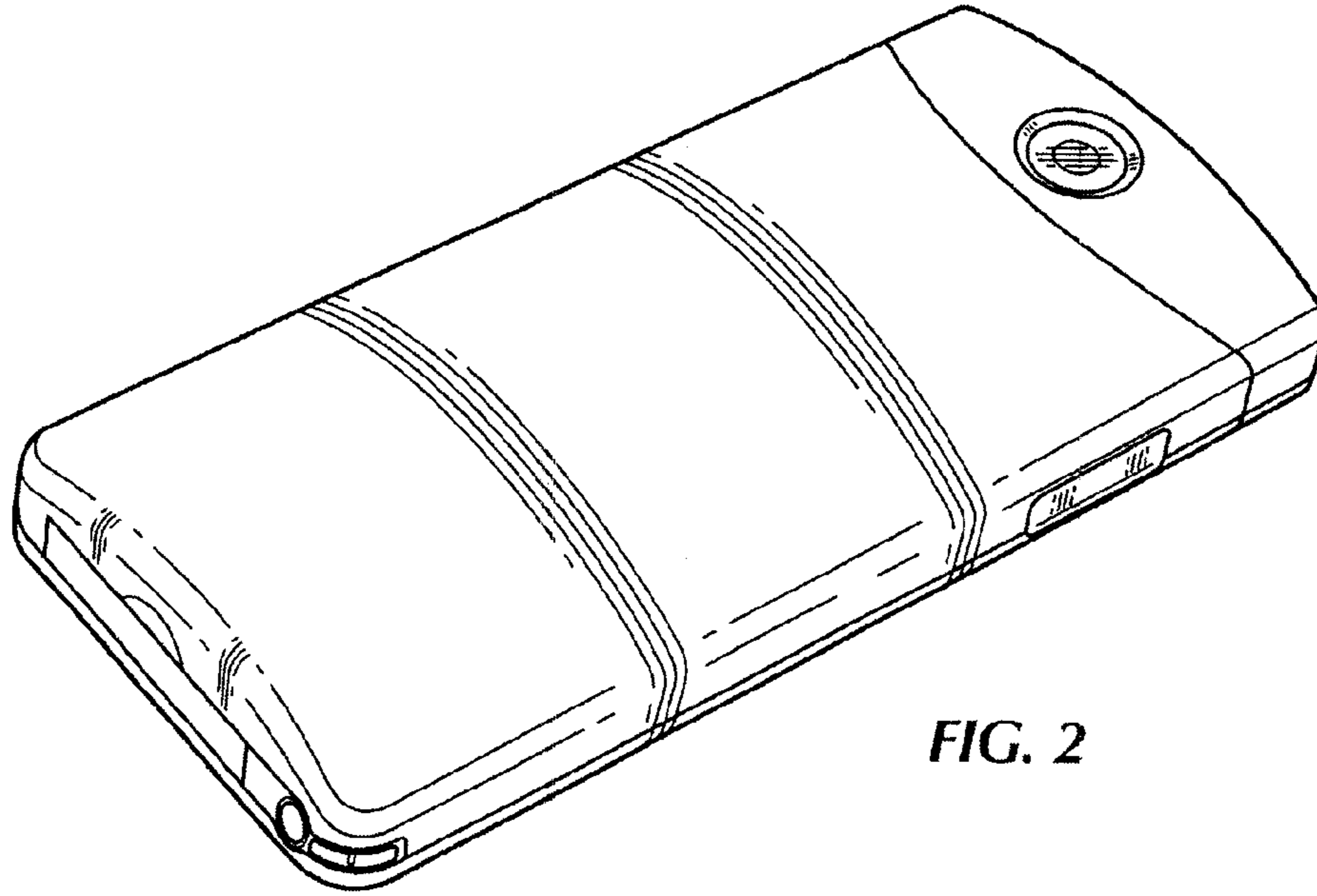


FIG. 2

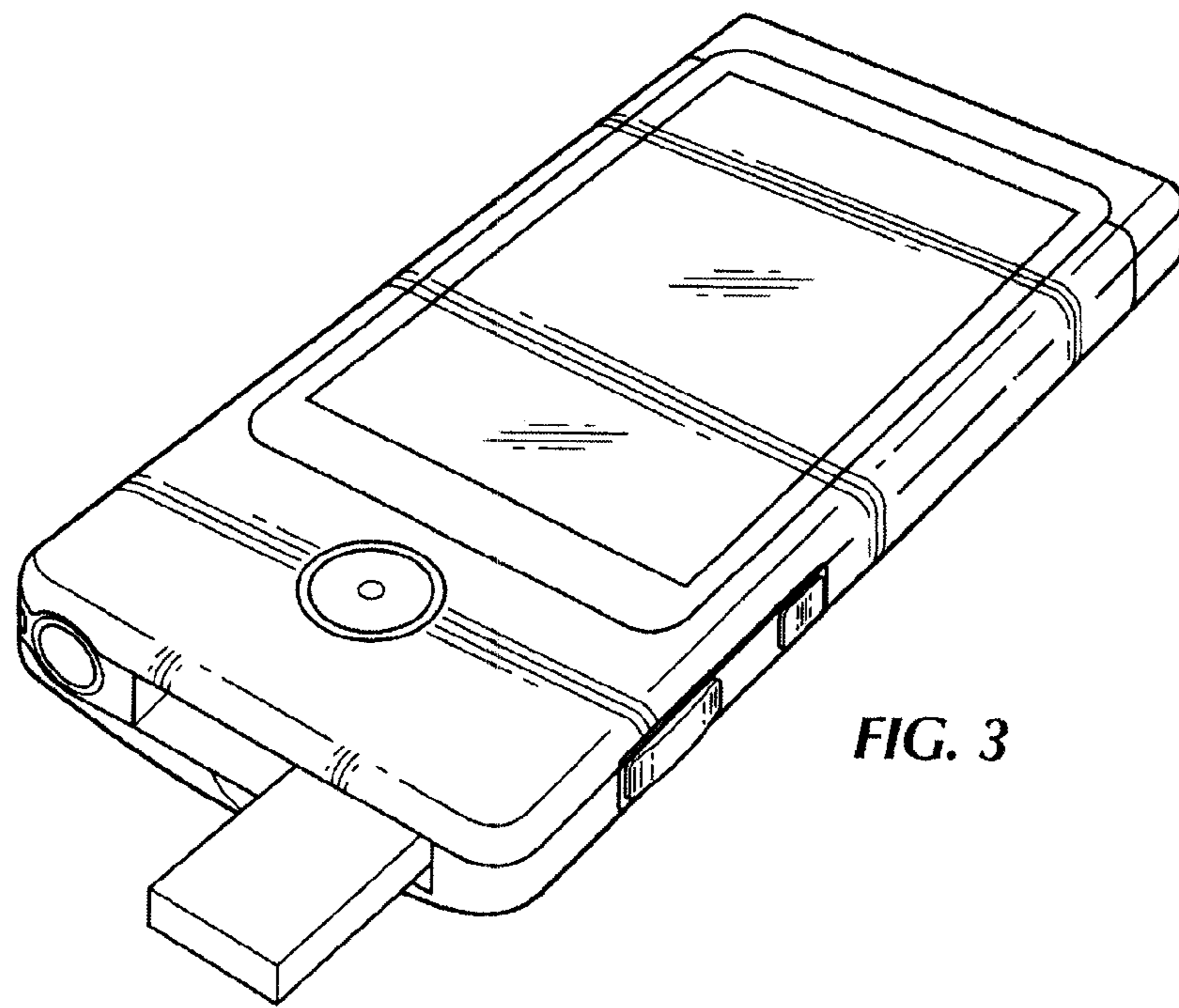


FIG. 3

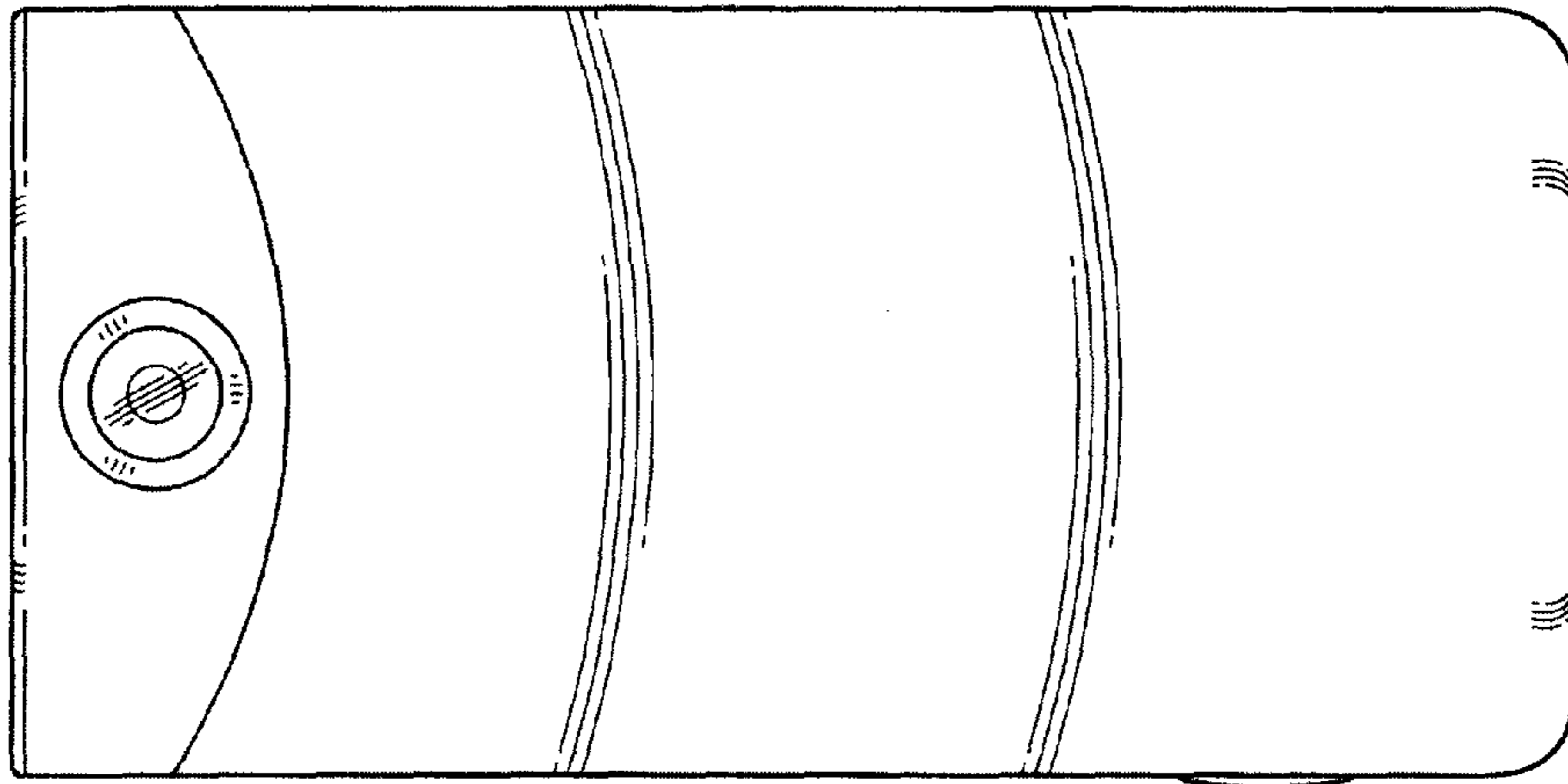


FIG. 5

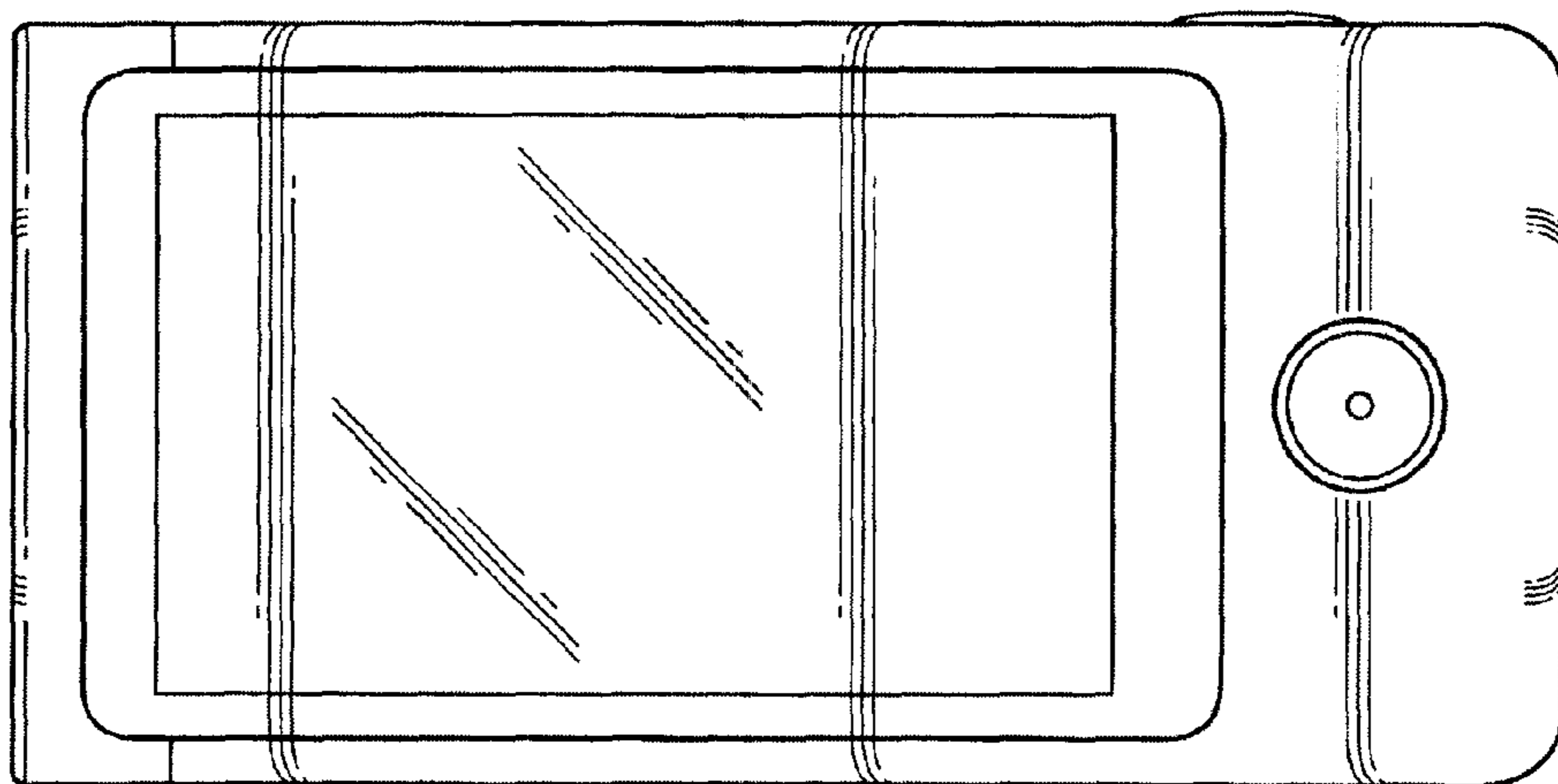


FIG. 4

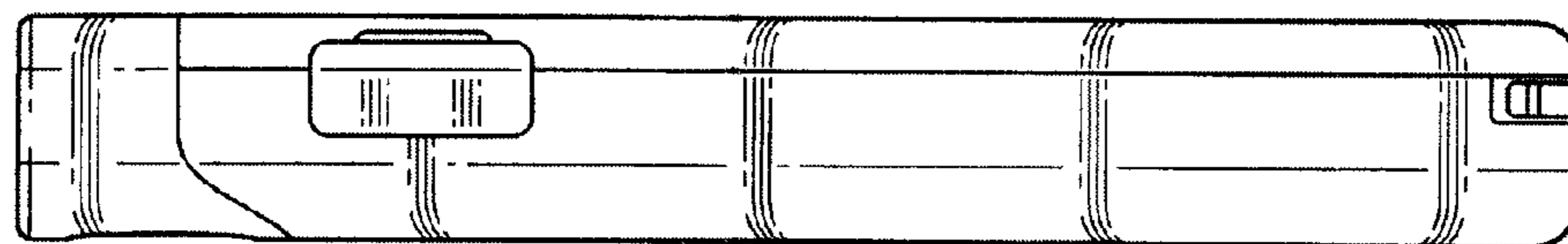


FIG. 6

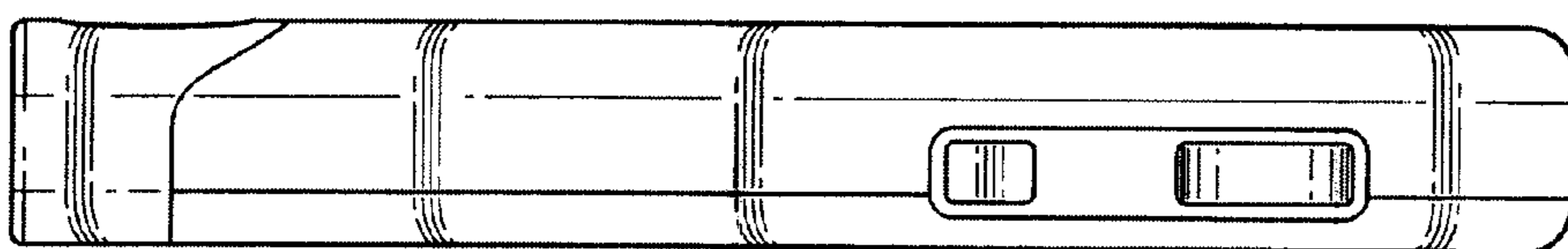


FIG. 7

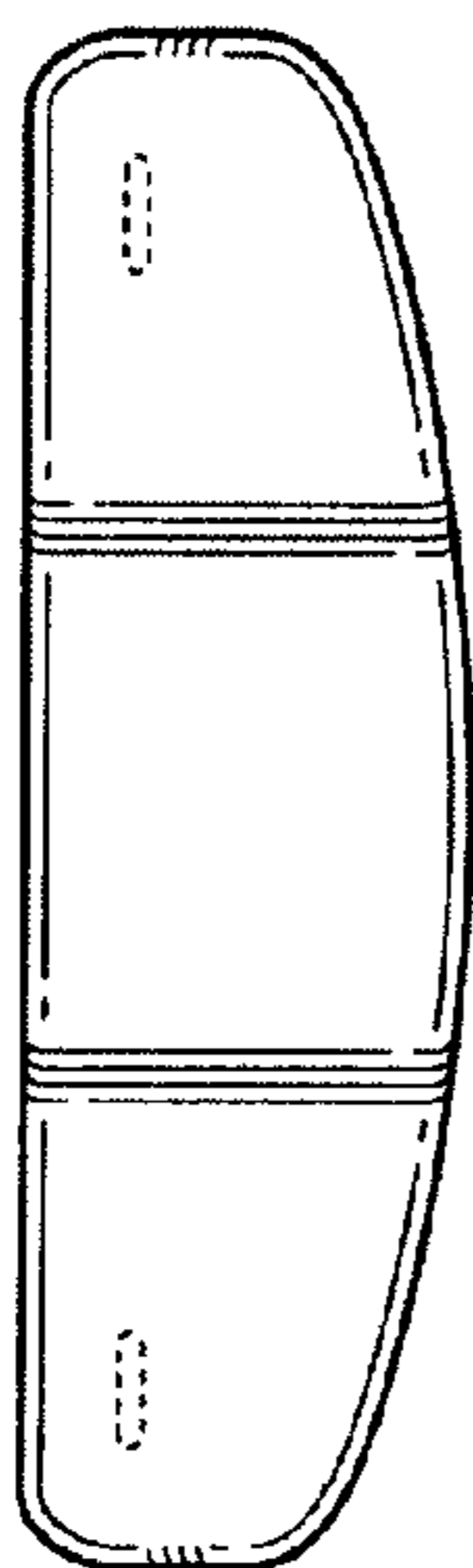


FIG. 8

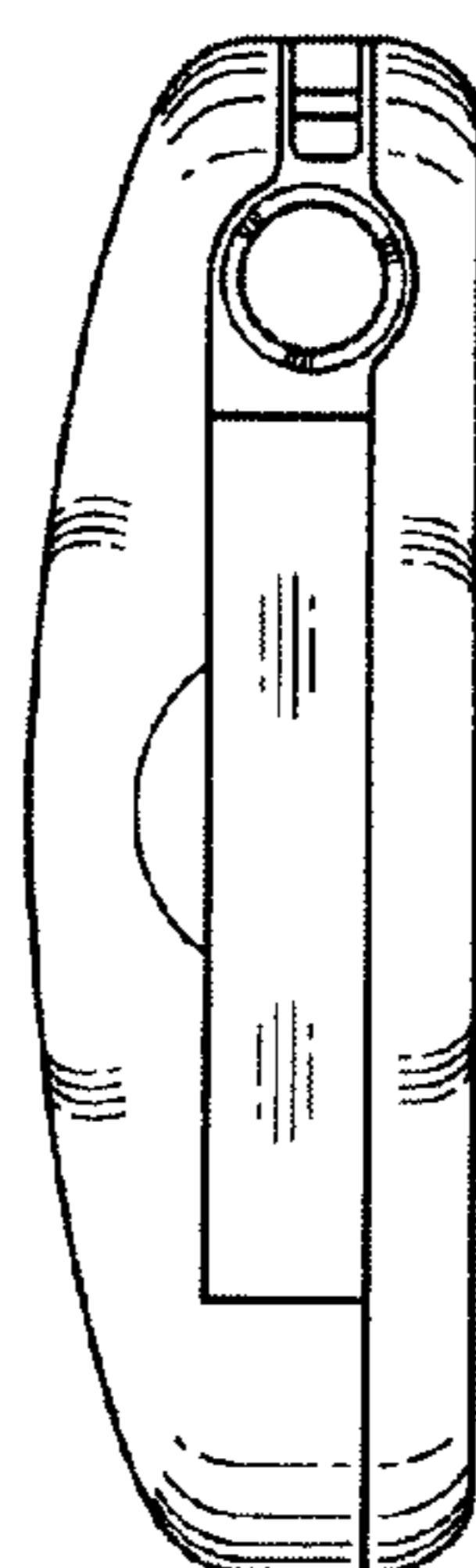


FIG. 9