



US00D638453S

(12) **United States Design Patent**
Buhr et al.

(10) **Patent No.:** **US D638,453 S**

(45) **Date of Patent:** **** May 24, 2011**

(54) **BIT HOLDER**

(75) Inventors: **Karsten Buhr**, Willroth (DE); **Cyrus Barimani**, Koenigswinter (DE)

(73) Assignee: **Wirtgen GmbH** (DE)

(**) Term: **14 Years**

(21) Appl. No.: **29/380,453**

(22) Filed: **Dec. 6, 2010**

(30) **Foreign Application Priority Data**

Nov. 10, 2010 (EM) 001779869-0001
Nov. 10, 2010 (EM) 001779869-0002
Nov. 10, 2010 (EM) 001779869-0003
Nov. 10, 2010 (EM) 001779869-0004

(51) **LOC (9) Cl.** **15-09**

(52) **U.S. Cl.** **D15/140**

(58) **Field of Classification Search** D8/70,
D8/71; D15/138, 139, 140; 37/456; 299/102-103,
299/106-110; 403/362; 411/82.2, 82.5,
411/257, 258, 901-903, 914, 916, 930
See application file for complete search history.

(56) **References Cited**

U.S. PATENT DOCUMENTS

3,498,677 A 3/1970 Morrow
3,992,061 A 11/1976 Rollins
4,240,669 A 12/1980 Rollins
4,275,929 A * 6/1981 Krekeler 299/102
4,915,455 A 4/1990 O'Neill et al.
D336,481 S * 6/1993 Silvia D15/140
5,378,050 A 1/1995 Kammerer et al.
5,683,144 A 11/1997 Kammerer et al.
6,244,665 B1 * 6/2001 Bise et al. 299/106
D447,028 S * 8/2001 Wikle et al. D8/61
D460,769 S * 7/2002 Sollami D15/140
6,764,140 B2 * 7/2004 Carson et al. 299/79.1
D507,166 S * 7/2005 Chen D8/68

D520,324 S * 5/2006 Yaksich et al. D8/70
7,077,736 B2 * 7/2006 Uzumcu et al. 451/359
7,310,897 B2 * 12/2007 Tillessen et al. 37/455
D567,270 S * 4/2008 Chiang D15/140
D587,086 S * 2/2009 Busschaert et al. D8/70
D587,978 S * 3/2009 Aglassinger D8/70
D591,577 S * 5/2009 Busschaert et al. D8/70
2006/0119165 A1 * 6/2006 Holl et al. 299/106
2009/0085396 A1 4/2009 Chiang

FOREIGN PATENT DOCUMENTS

DE 2940288 A1 5/1980
DE 4322401 A1 1/1995
DE 202007013350 U1 3/2008

OTHER PUBLICATIONS

U.S. Appl. No. 12/960,756, filed Dec. 6, 2010 to Lehnert et al. (not prior art).
U.S. Appl. No. 12/960,765, filed Dec. 6, 2010 to Lehnert et al. (not prior art).

* cited by examiner

Primary Examiner — Patricia Palasik

(74) *Attorney, Agent, or Firm* — Wadley & Patterson, P.C.;
Lucian Wayne Beavers

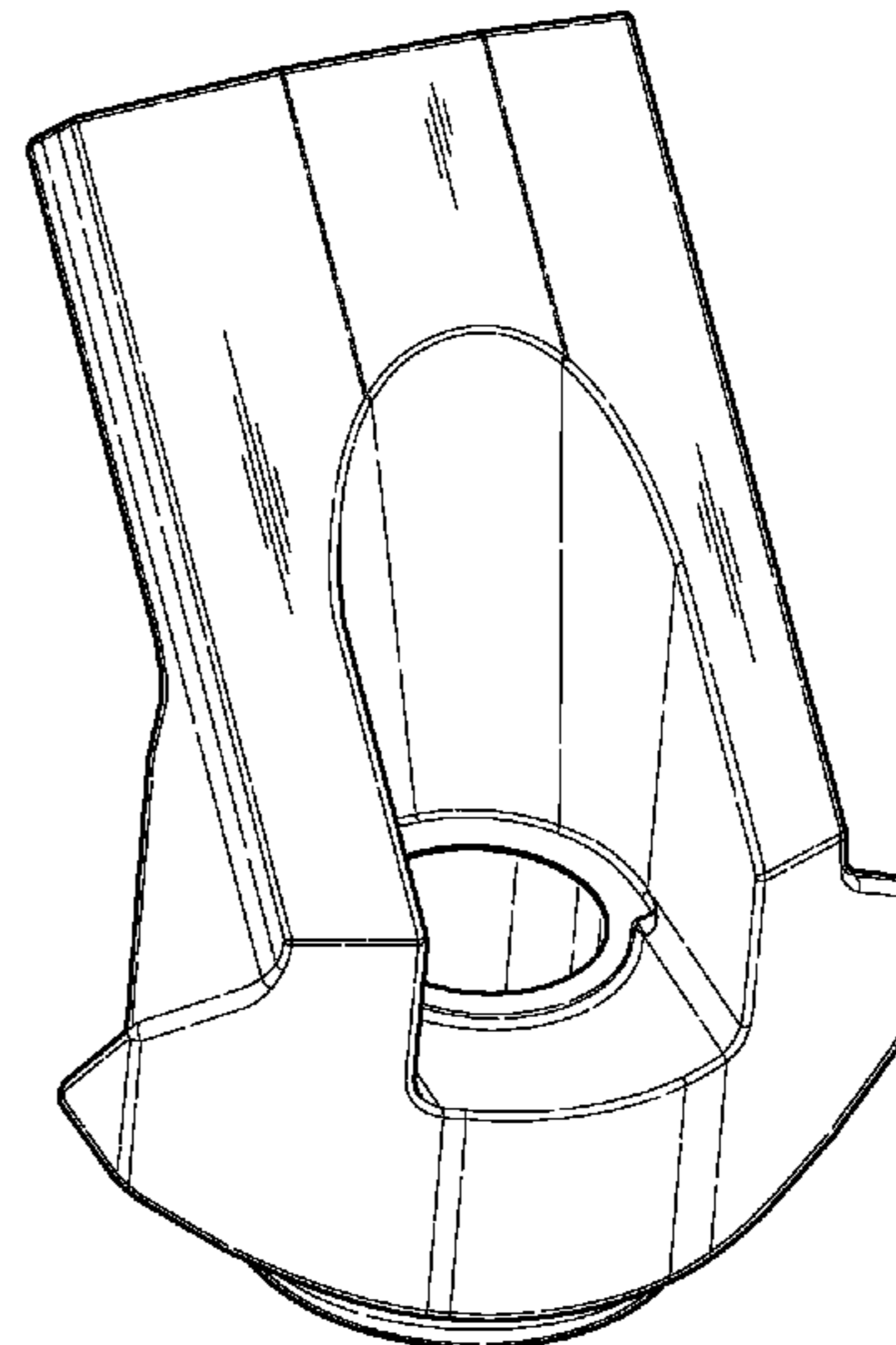
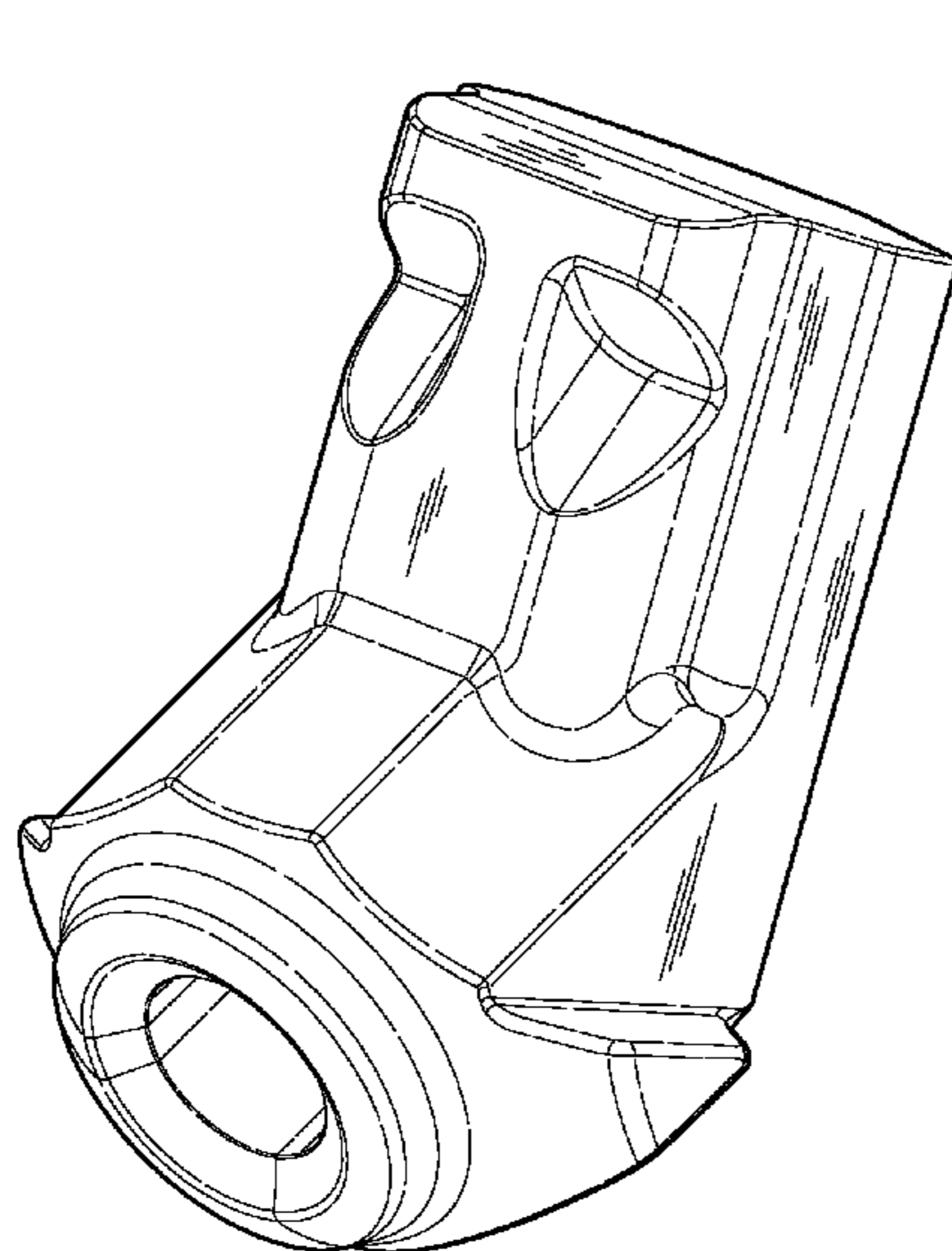
(57) **CLAIM**

What is claimed is the ornamental design for a bit holder, as shown and described.

DESCRIPTION

FIG. 1 is a front perspective view of the bit holder.
FIG. 2 is a front elevation view of the bit holder of FIG. 1.
FIG. 3 is a rear elevation view of the bit holder of FIG. 1.
FIG. 4 is a top view of the bit holder of FIG. 1.
FIG. 5 is a bottom view of the bit holder of FIG. 1.
FIG. 6 is a left side elevation view of the bit holder of FIG. 1.
FIG. 7 is a right side elevation view of the bit holder of FIG. 1; and,
FIG. 8 is a rear perspective view of the bit holder of FIG. 1.

1 Claim, 4 Drawing Sheets



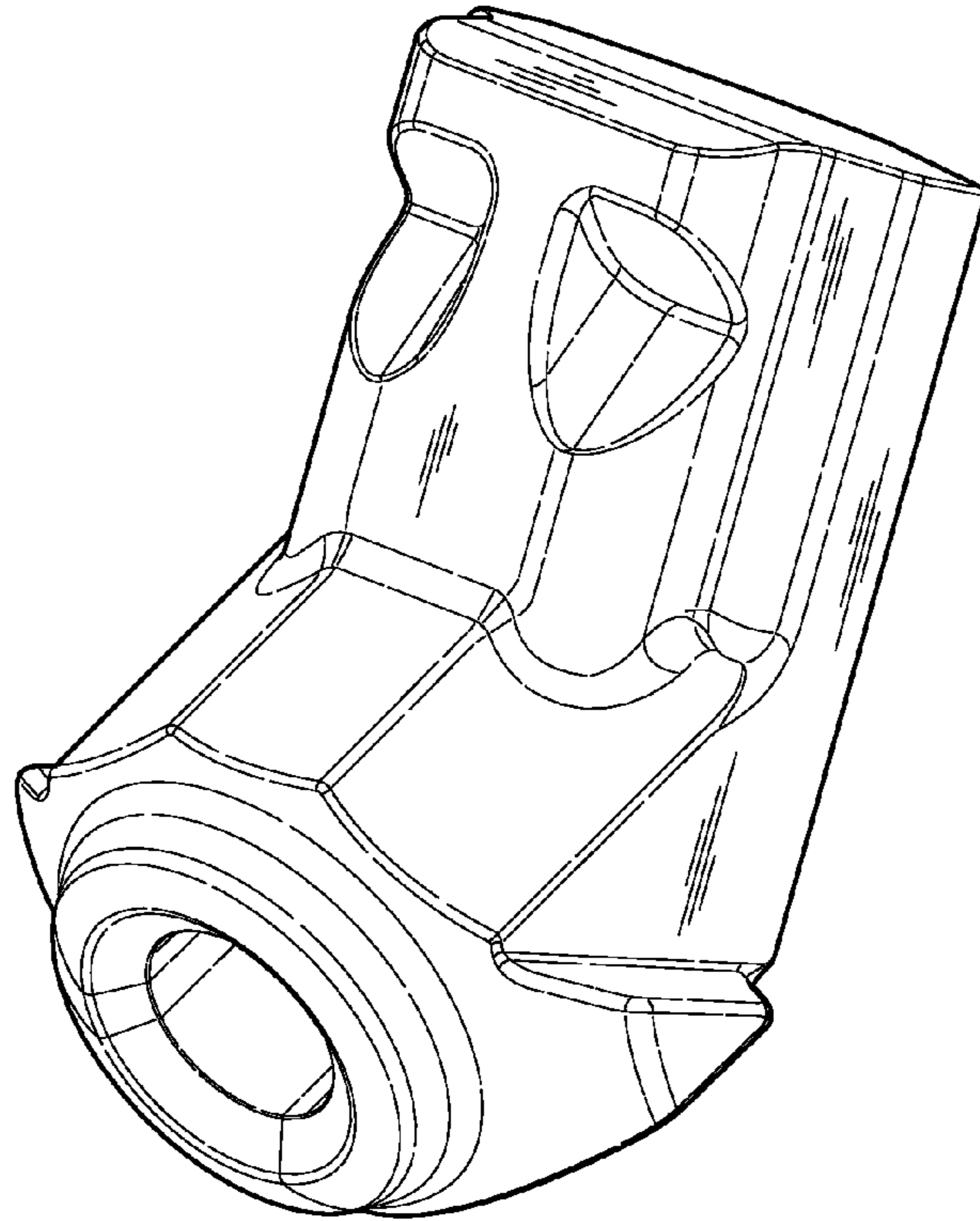


FIG. 1

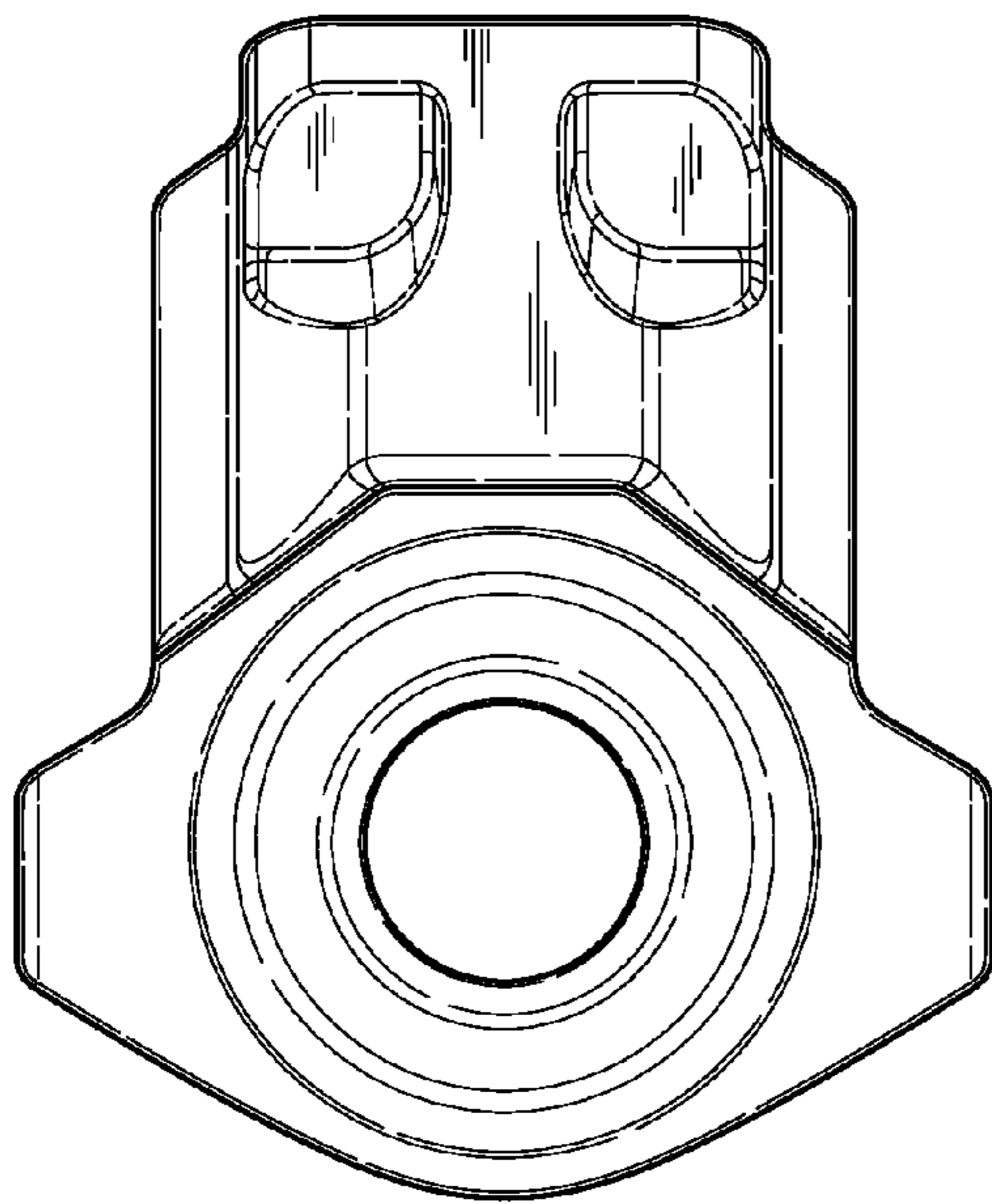


FIG. 2

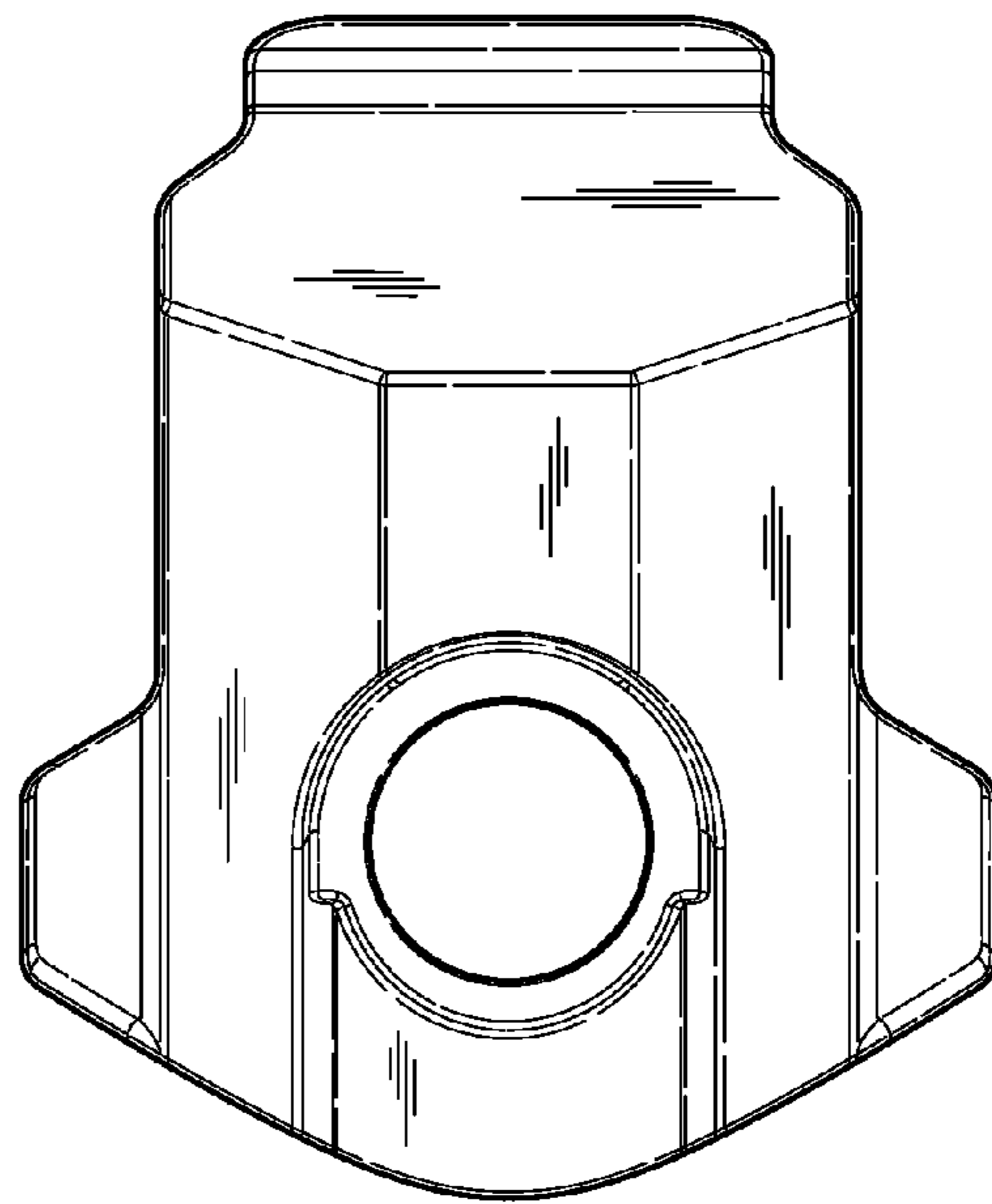


FIG. 3

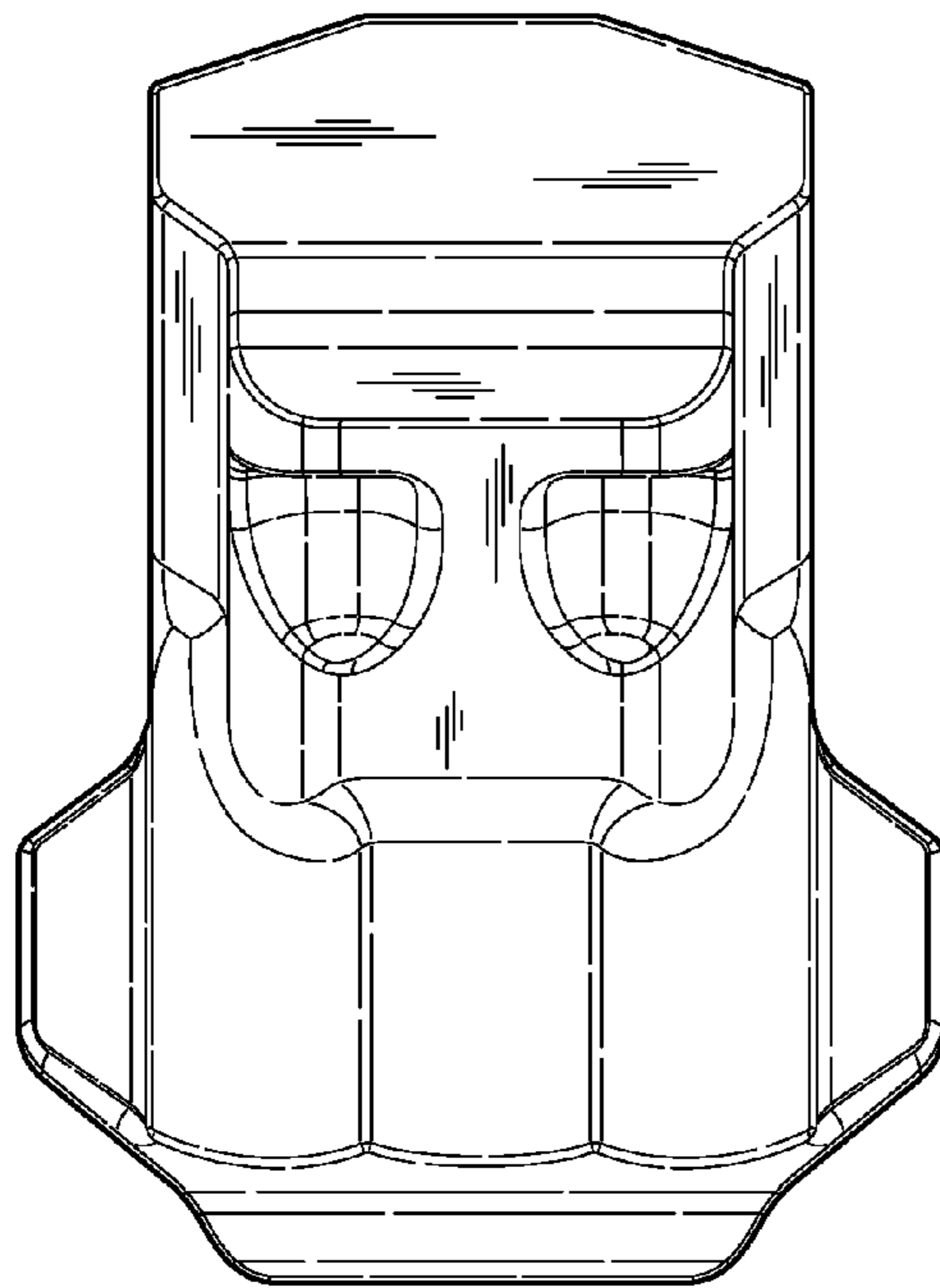


FIG. 4

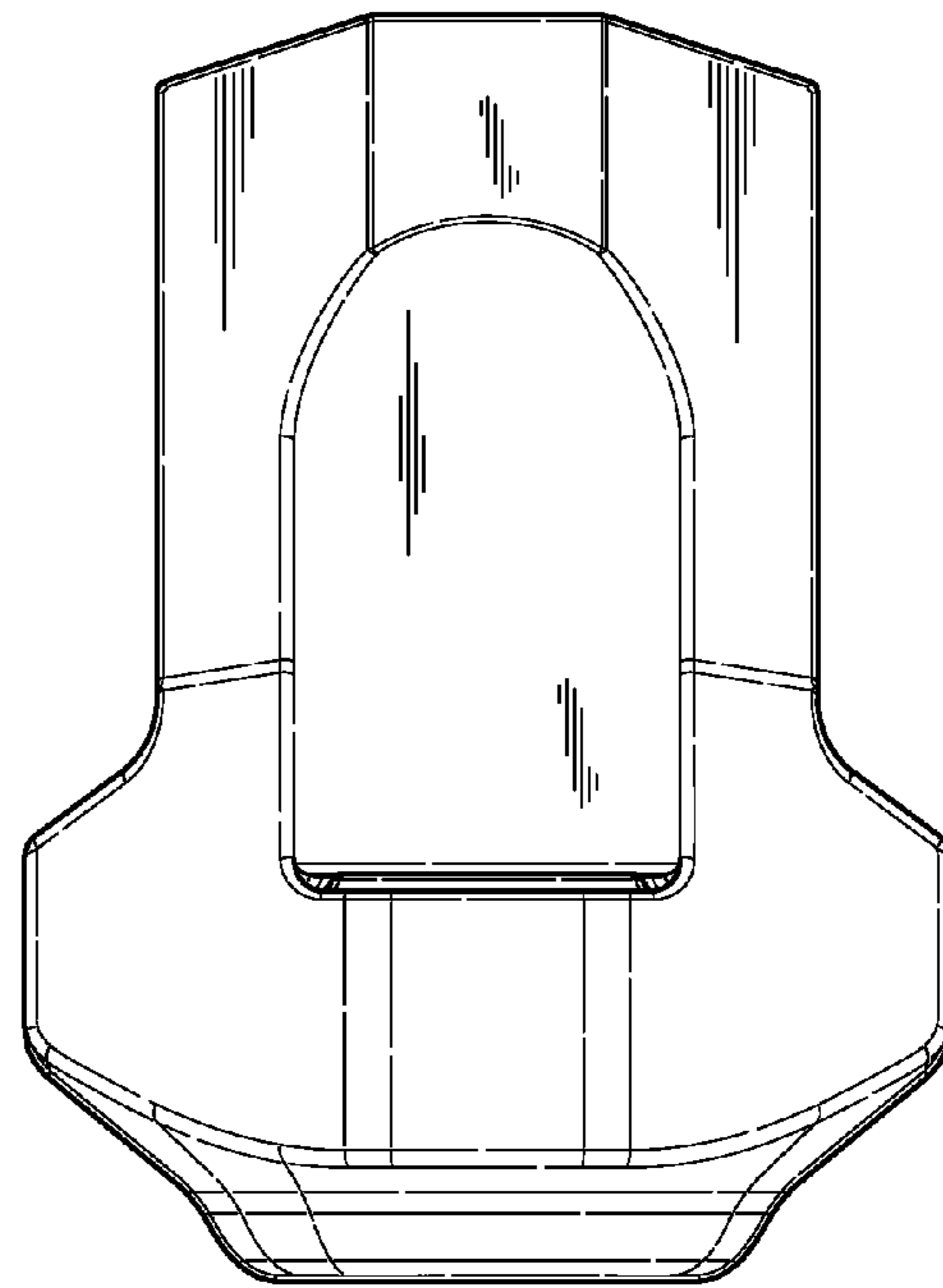


FIG. 5

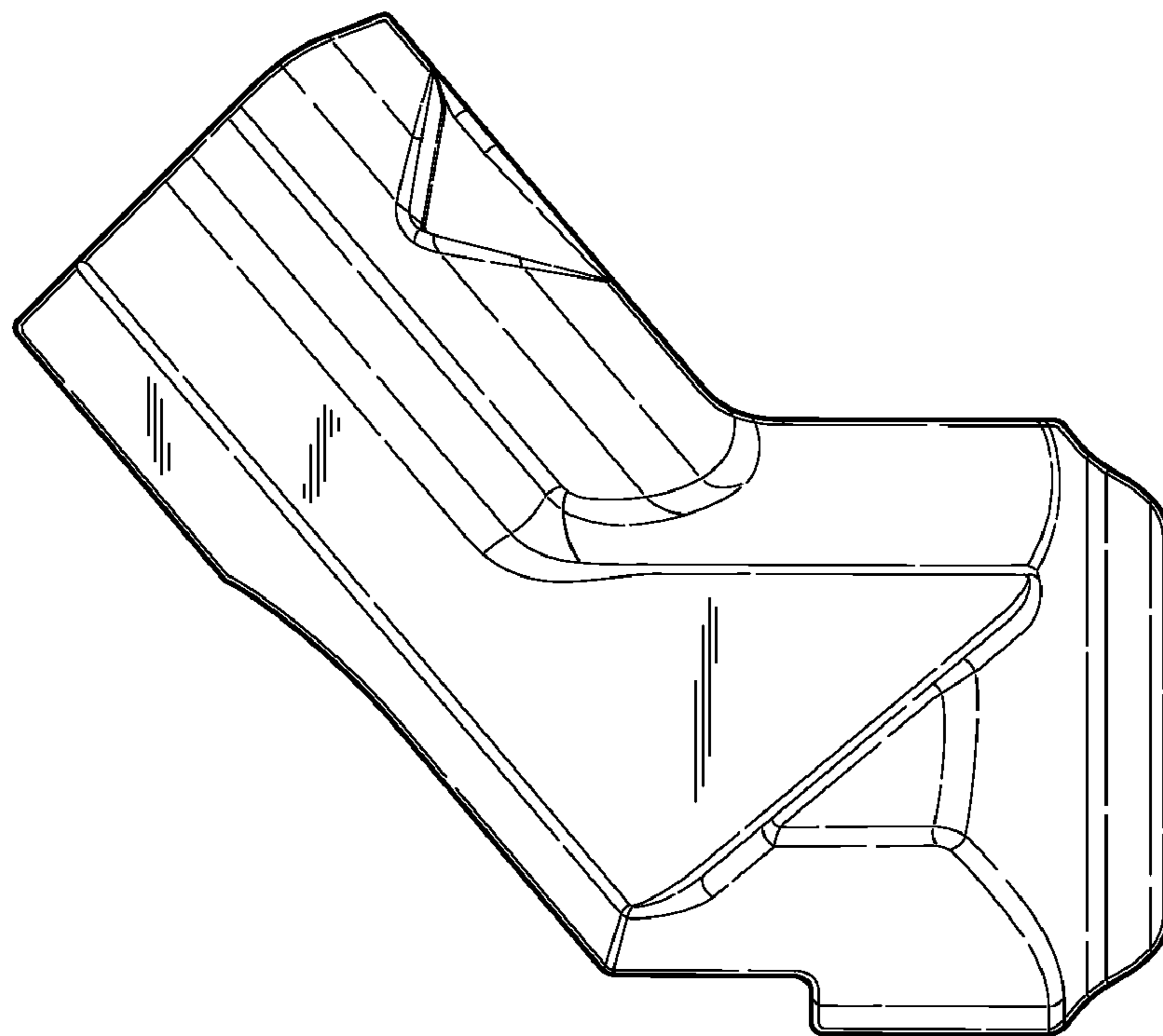


FIG. 6

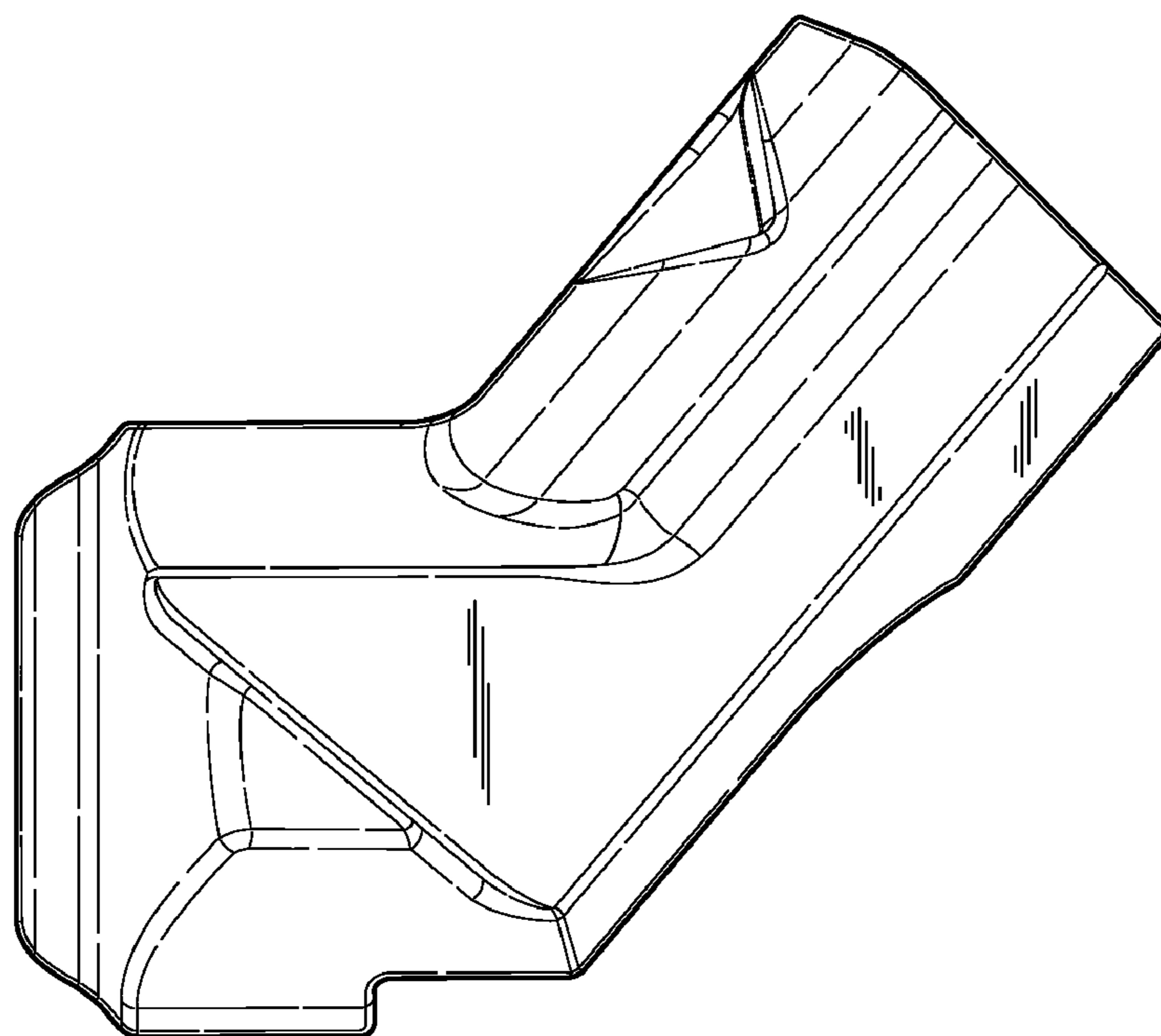


FIG. 7

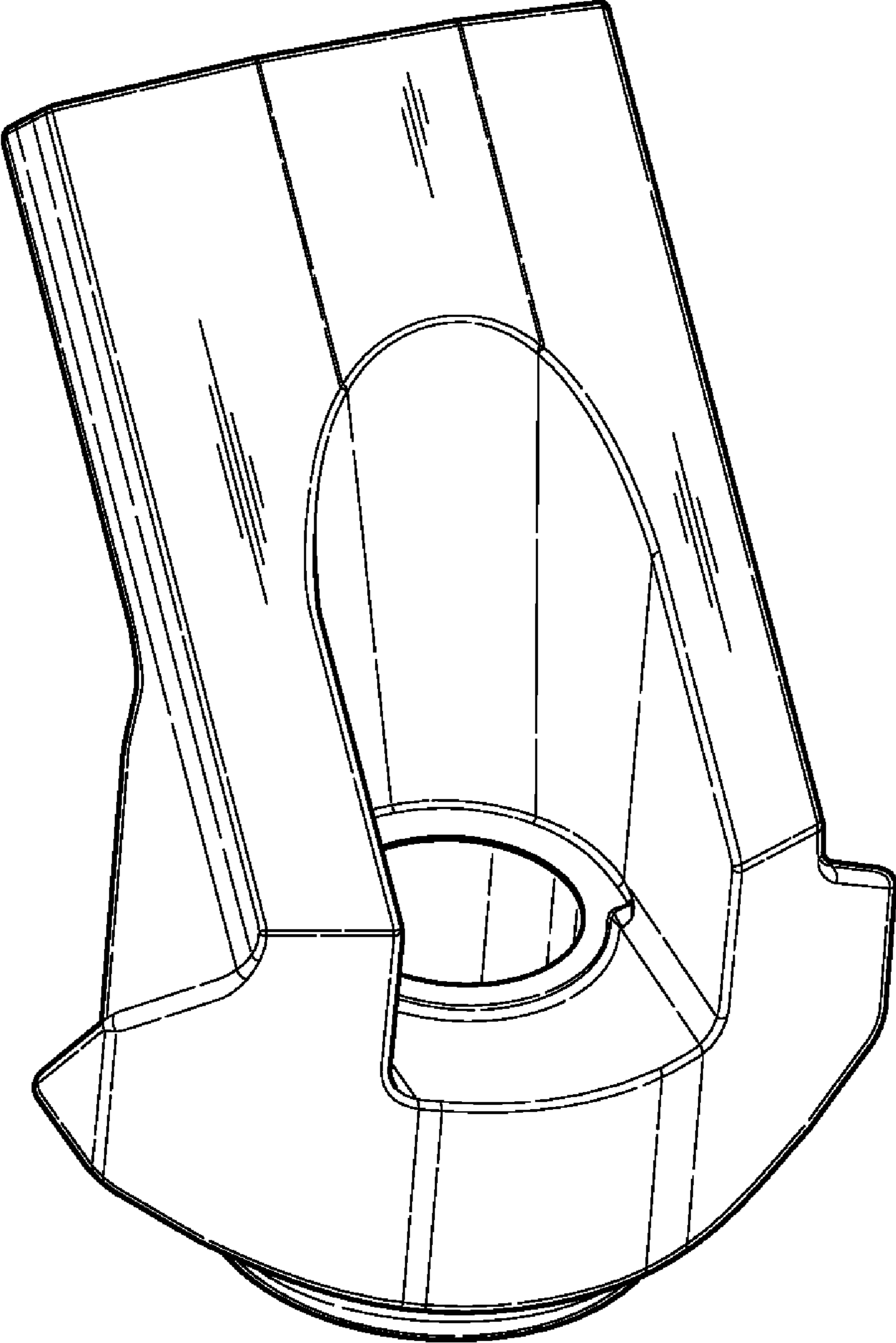


FIG. 8