



US00D638451S

(12) **United States Design Patent**
Wong

(10) **Patent No.:** **US D638,451 S**

(45) **Date of Patent:** **** May 24, 2011**

(54) **SCORING WHEEL**

(75) Inventor: **Kingston Wong**, Beach Park, IL (US)

(73) Assignee: **Klein Tools, Inc.**, Lincolnshire, IL (US)

(**) Term: **14 Years**

(21) Appl. No.: **29/379,595**

(22) Filed: **Nov. 22, 2010**

(51) **LOC (9) Cl.** **15-09**

(52) **U.S. Cl.** **D15/138**

(58) **Field of Classification Search** D8/14,
D8/51, 70, 98; D15/138, 139; 30/161, 164.95,
30/164.9, 165, 166, 166.5, 295, 319, 332,
30/355, 396; 83/355, 368, 498, 676, 698.41,
83/880, 881, 884, 886; 125/3, 12, 13.01,
125/13.02, 15; 225/2, 96.5; 356/141.3; 403/298,
403/348; 451/358, 540-546; 493/396
See application file for complete search history.

(56) **References Cited**

U.S. PATENT DOCUMENTS

3,865,673	A *	2/1975	DeTorre	428/43
3,886,925	A *	6/1975	Regan	125/15
4,023,790	A *	5/1977	Gortowski	493/399
4,028,801	A *	6/1977	Gelfman	30/164.95
4,083,274	A *	4/1978	Insolio et al.	83/886
4,423,836	A *	1/1984	Hyatt	225/96
4,628,784	A *	12/1986	Gach	83/881
4,898,373	A *	2/1990	Newsome	270/52.29
D306,392	S *	3/1990	Honeycutt	D8/60
D345,680	S *	4/1994	Reynolds et al.	D8/14
5,331,877	A *	7/1994	Ishii	83/886
5,836,229	A *	11/1998	Wakayama et al.	83/886
6,065,215	A *	5/2000	Arai	30/319

6,463,654	B1 *	10/2002	Moore	29/825
D465,231	S *	11/2002	Jung et al.	D15/139
D465,502	S *	11/2002	Jung et al.	D15/139
D478,104	S *	8/2003	Jung et al.	D15/139
6,685,541	B2 *	2/2004	Brown et al.	451/41
6,796,212	B2 *	9/2004	Maekawa et al.	83/886
D499,325	S *	12/2004	McLean et al.	D8/98
D503,318	S *	3/2005	Rocco et al.	D8/14
D512,914	S *	12/2005	Moretti	D9/454
D536,614	S *	2/2007	Peterson et al.	D9/454
7,392,732	B2 *	7/2008	Lindsey et al.	83/880
2005/0209076	A1 *	9/2005	Boutron et al.	493/59
2006/0255083	A1 *	11/2006	Bonaddio et al.	225/2
2007/0138228	A1 *	6/2007	Brown et al.	226/97.1
2008/0295819	A1 *	12/2008	Gifford et al.	125/13.01

* cited by examiner

Primary Examiner — Patricia Palasik

(74) *Attorney, Agent, or Firm* — McDonnell Boehnen Hulber & Berghoff

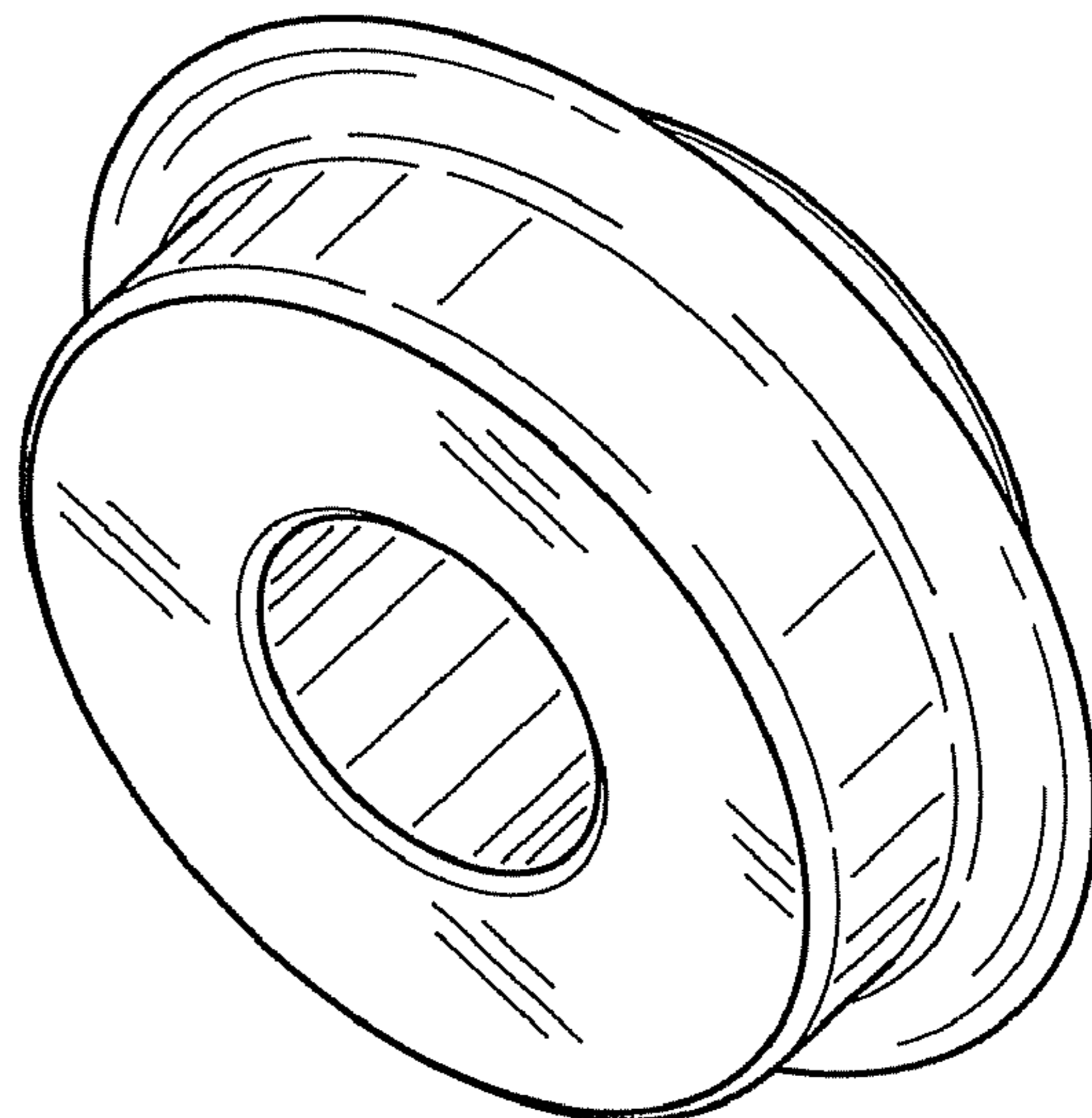
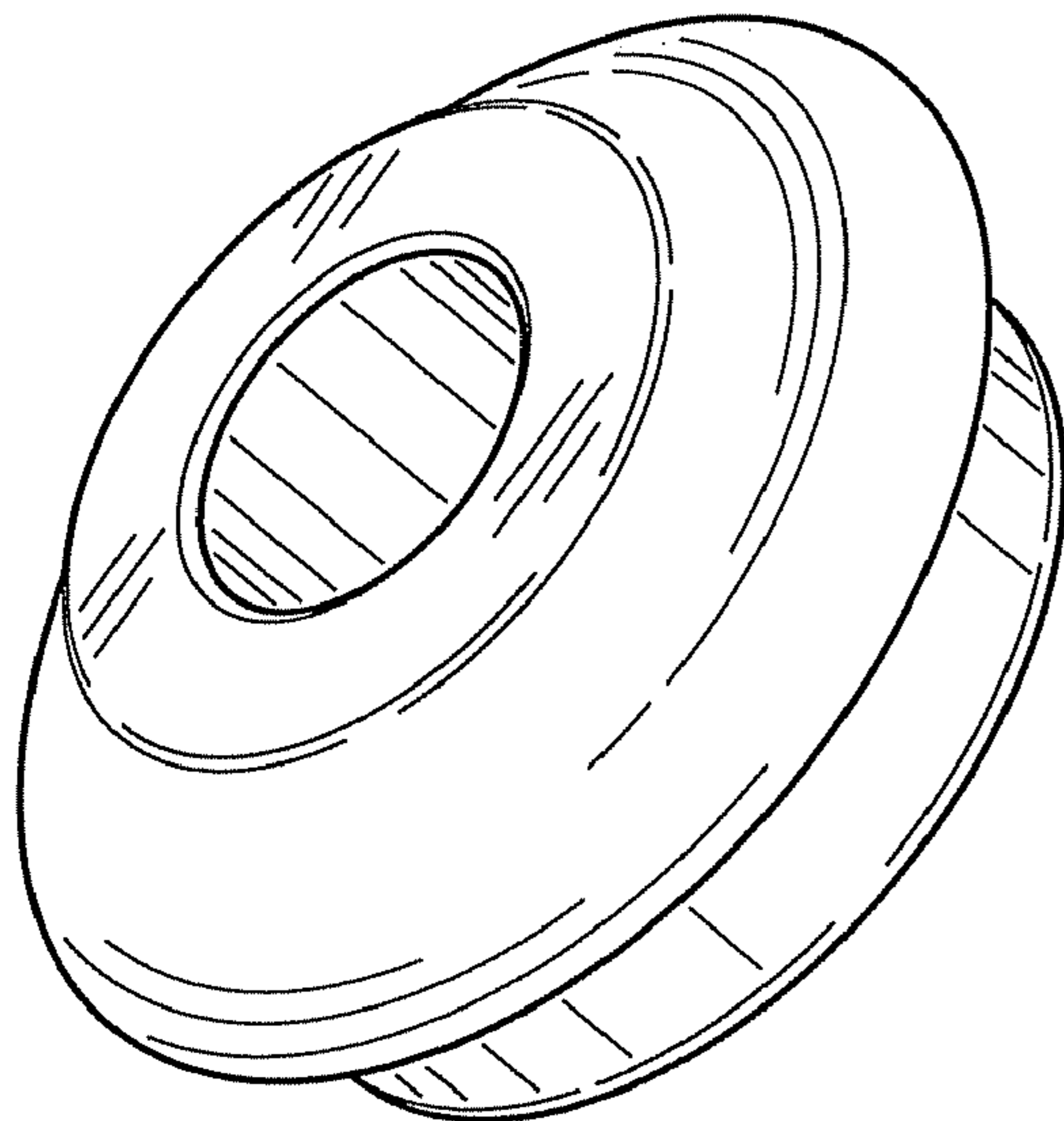
(57) **CLAIM**

The ornamental design for a scoring wheel, as shown and described.

DESCRIPTION

FIG. 1 is a left side perspective view of a scoring wheel having the inventive design;
FIG. 2 is a right side perspective view of the scoring wheel shown in FIG. 1;
FIG. 3 is a front view of the scoring wheel shown in FIG. 1, which is also a mirror image of rear view of the scoring wheel shown in FIG. 1;
FIG. 4 is a top view of the scoring wheel shown in FIG. 1; and,
FIG. 5 is a bottom view of the scoring wheel shown in FIG. 1.

1 Claim, 2 Drawing Sheets



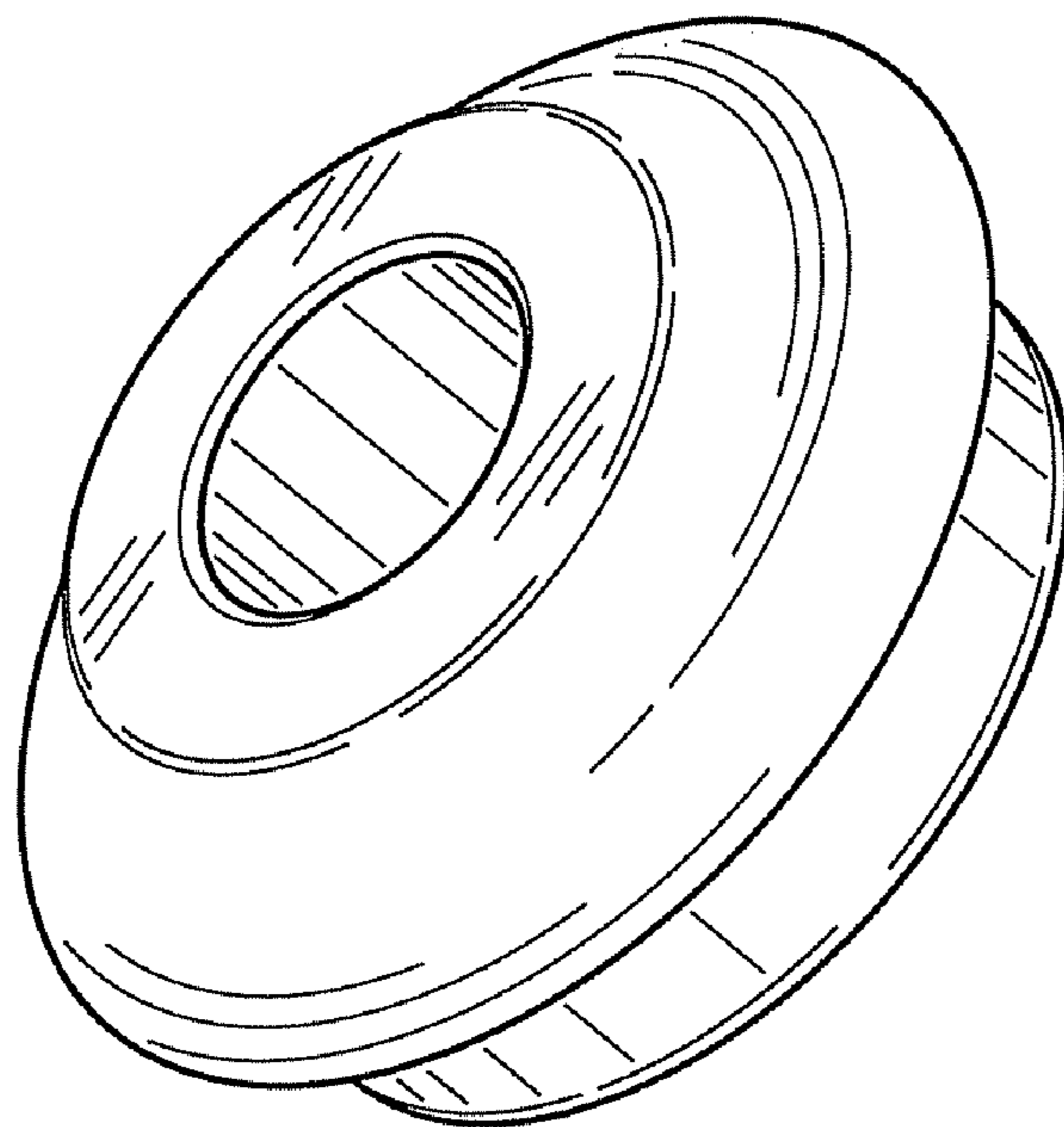


FIG. 1

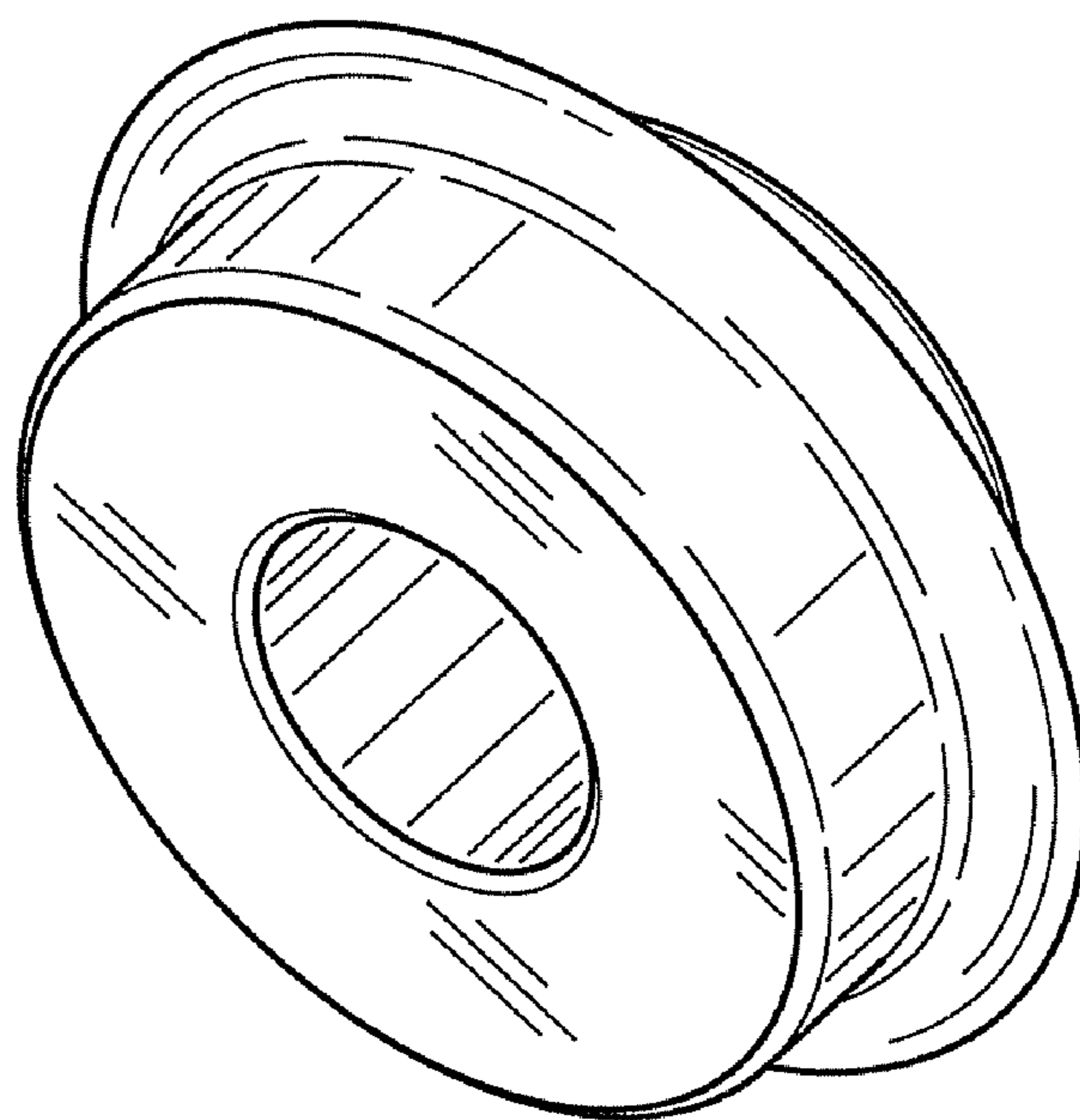


FIG. 2

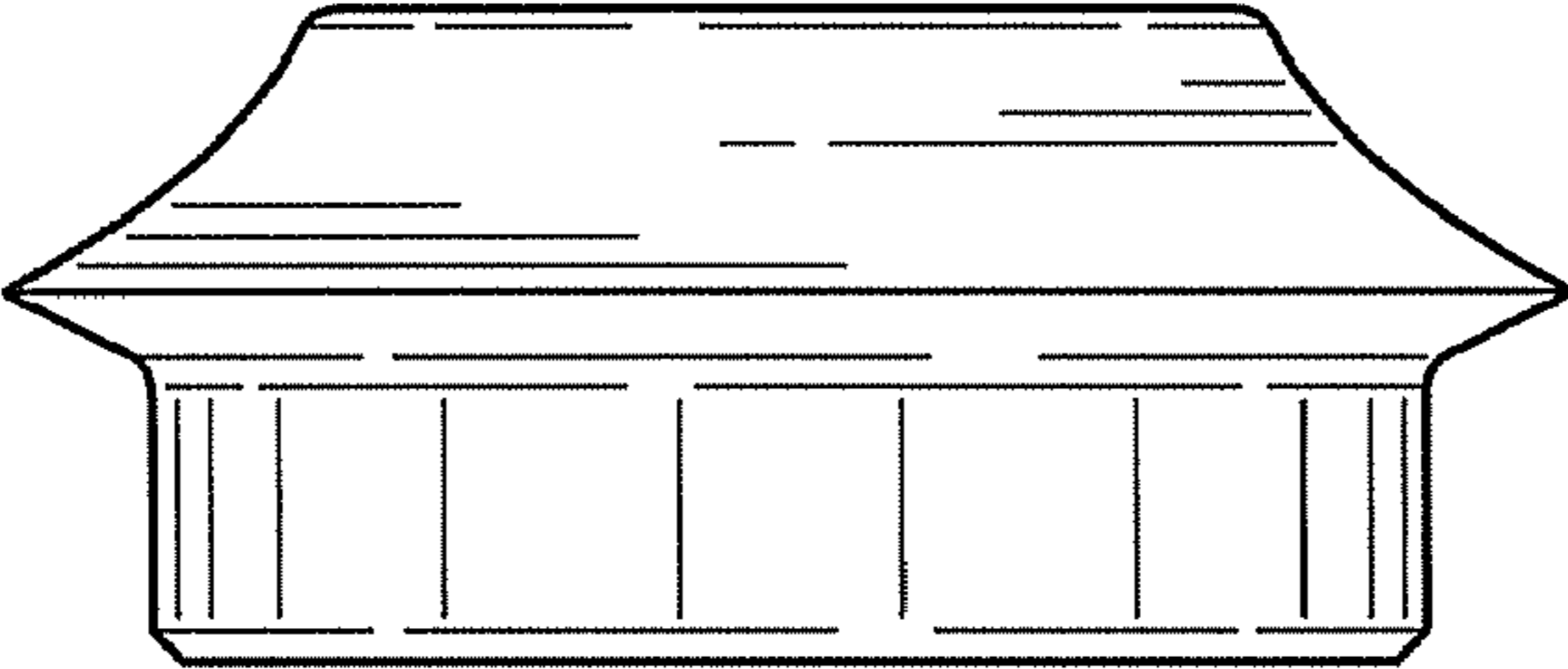


FIG. 3

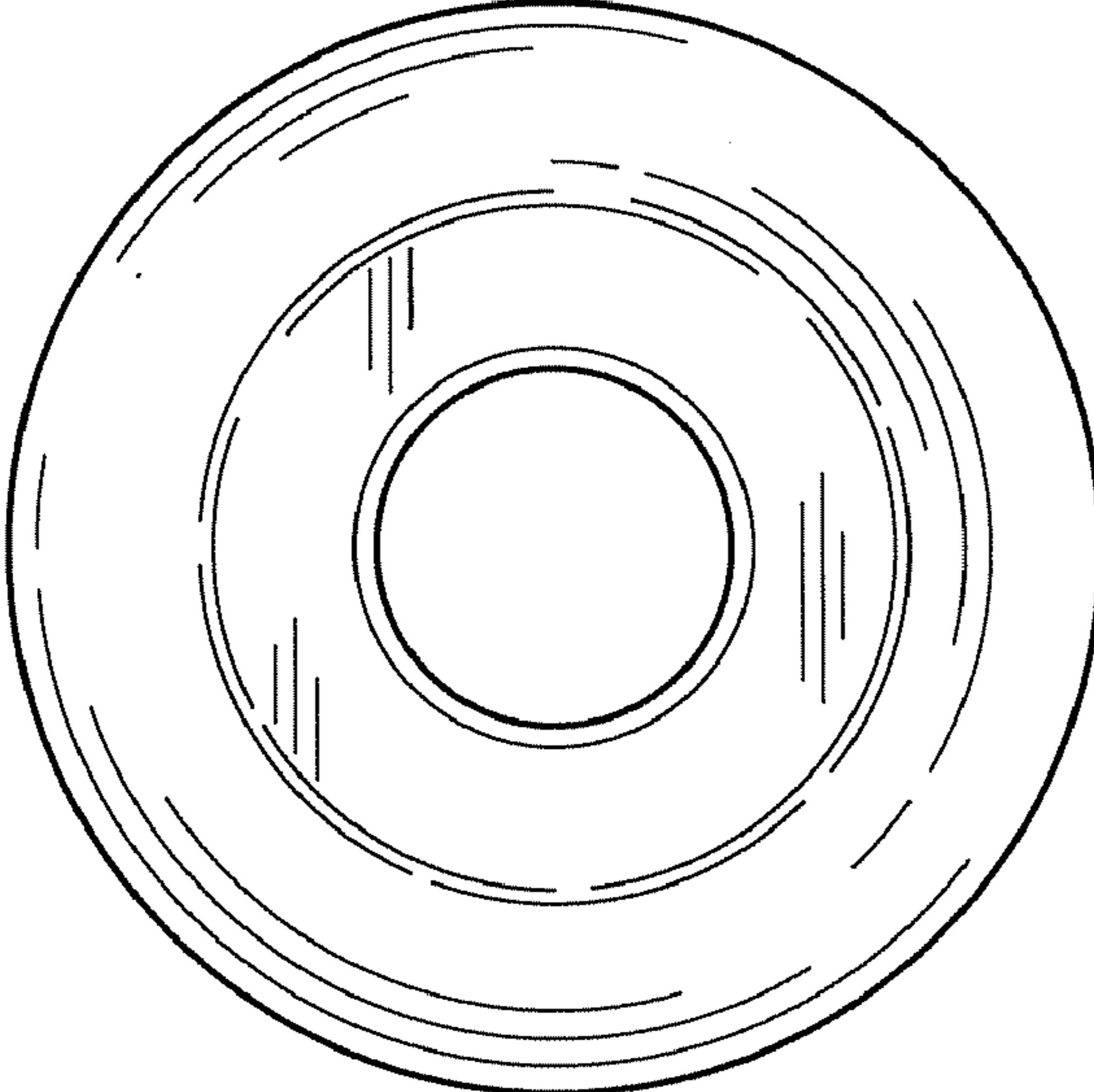


FIG. 4

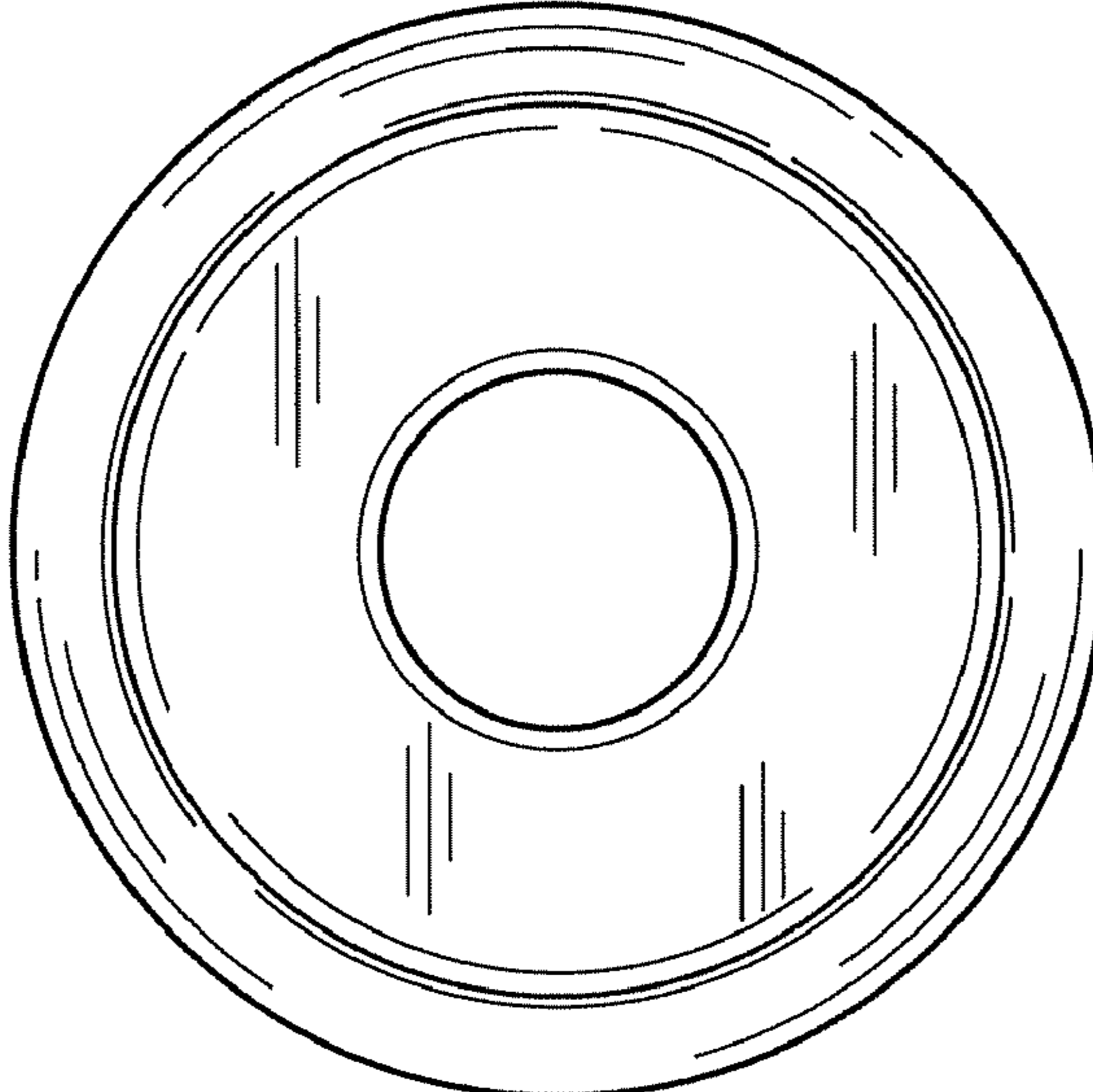


FIG. 5