



US00D638450S

(12) **United States Design Patent**  
**Hayes et al.**

(10) **Patent No.:** **US D638,450 S**  
(45) **Date of Patent:** **\*\* May 24, 2011**

(54) **CHIP EXTRACTOR**

(75) Inventors: **James Hayes**, Milford, NH (US); **Sheila Nourse**, Peterborough, NH (US)  
(73) Assignee: **Williams & Hussey Machine Co., Inc.**, Milford, NH (US)

(\*\*) Term: **14 Years**

(21) Appl. No.: **29/377,444**

(22) Filed: **Oct. 21, 2010**

(51) **LOC (9) Cl.** ..... **15-09**

(52) **U.S. Cl.** ..... **D15/127**

(58) **Field of Classification Search** ..... D15/10,  
D15/33, 122, 123, 127, 129, 131, 133, 199;  
99/488, 519, 523, 524, 600, 606, 607, 609,  
99/610, 611, 618, 620, 621; 241/7, 11, 57;  
426/481-483, 518

See application file for complete search history.

(56) **References Cited**

U.S. PATENT DOCUMENTS

2,780,250 A	2/1957	Leonard	
2,780,251 A	2/1957	Williams	
2,780,254 A	2/1957	Carpentiere	
D356,801 S *	3/1995	Bold et al.	D15/10
D577,749 S	9/2008	Balolia	
D599,385 S *	9/2009	Pfaff	D15/133

\* cited by examiner

*Primary Examiner* — Patricia Palasik  
(74) *Attorney, Agent, or Firm* — Hayes Soloway P.C.

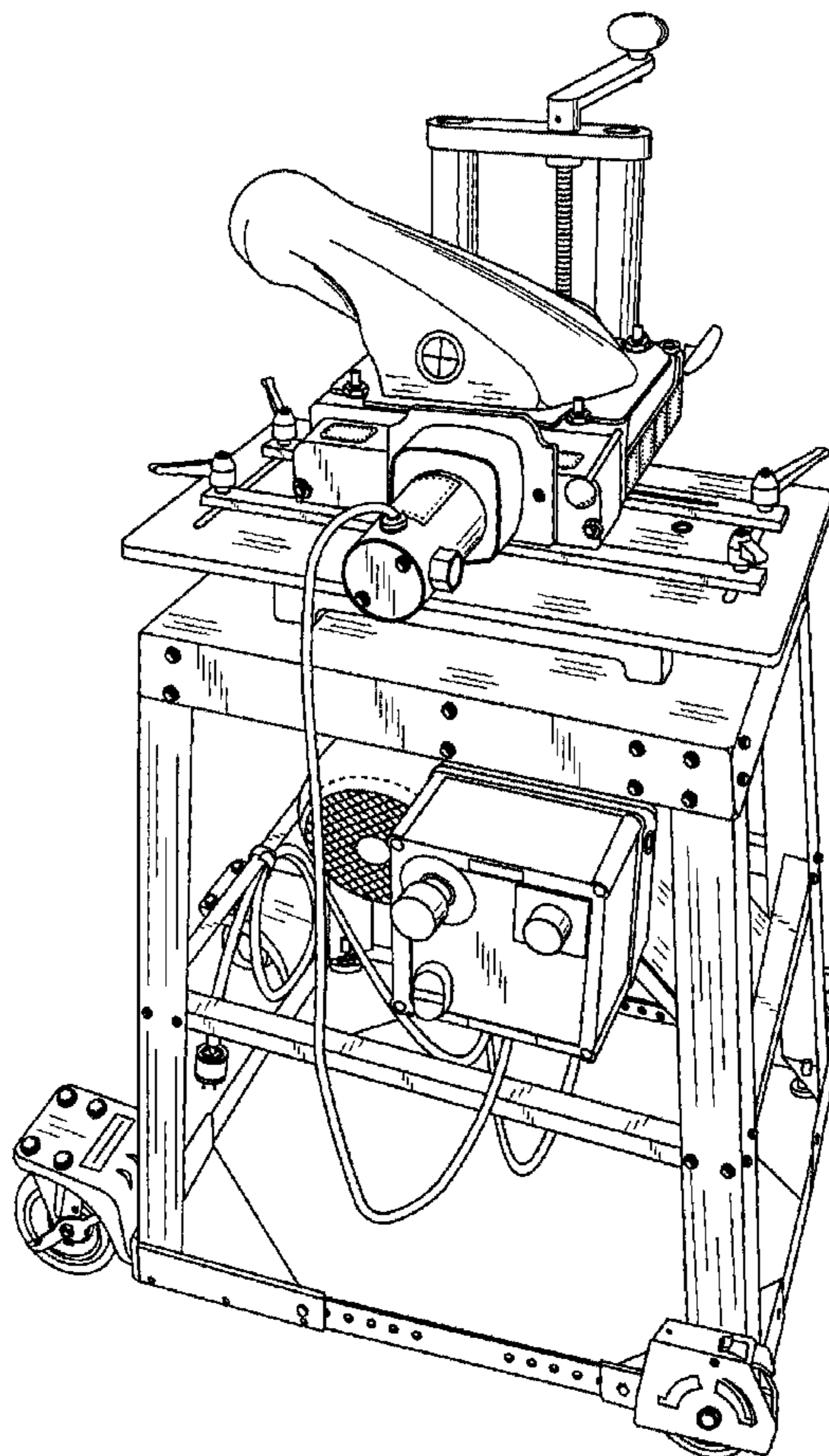
(57) **CLAIM**

I claim the ornamental design for a chip extractor, as shown and described.

**DESCRIPTION**

FIG. 1 is a plan view of a chip extractor showing my new design;  
FIG. 2 is a top end view thereof;  
FIG. 3 is a right side elevational view thereof;  
FIG. 4 is a left side elevational view thereof;  
FIG. 5 is a front side elevational view thereof; and,  
FIG. 6 is a rear elevational view thereof.

**1 Claim, 6 Drawing Sheets**



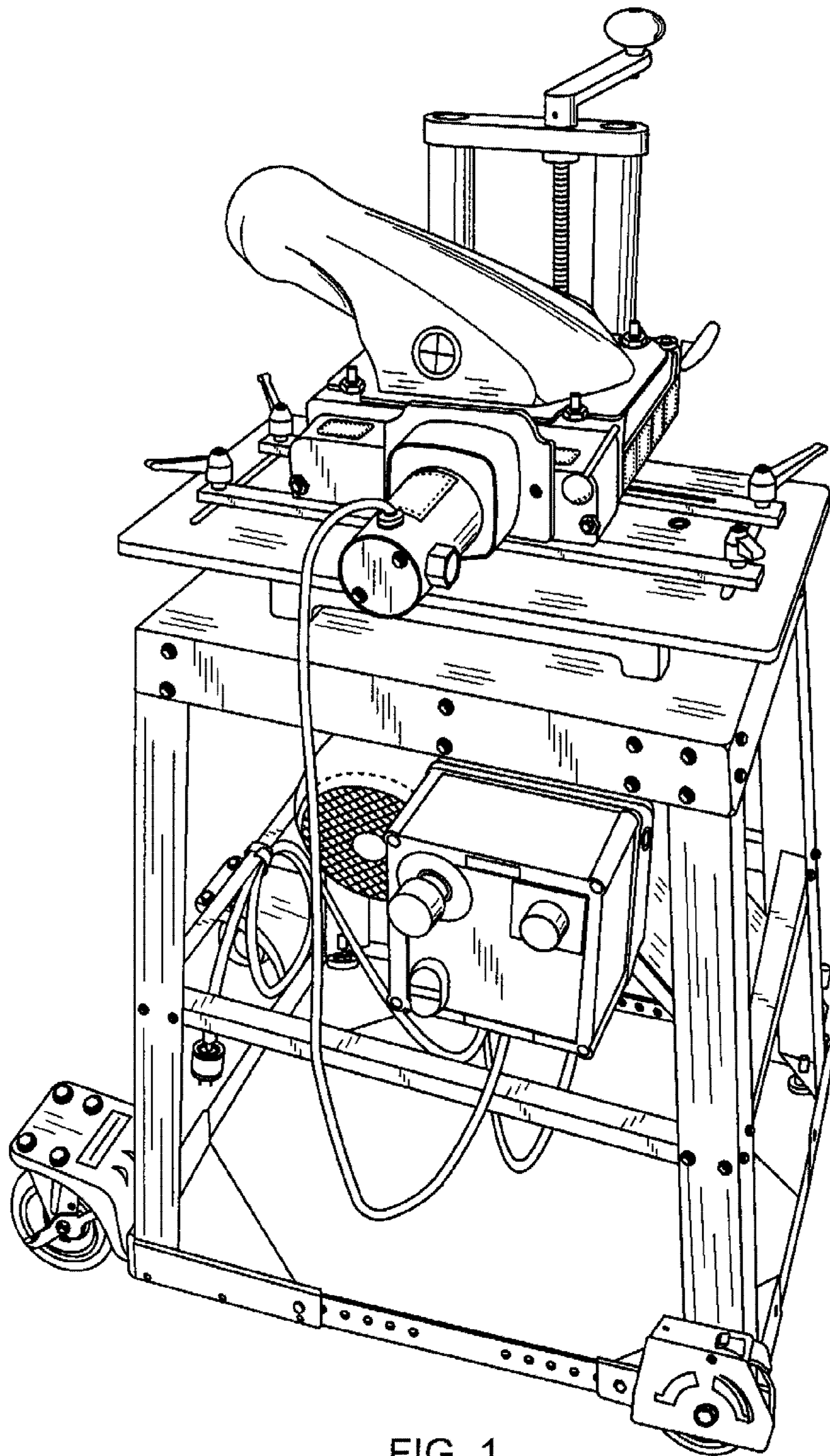


FIG. 1

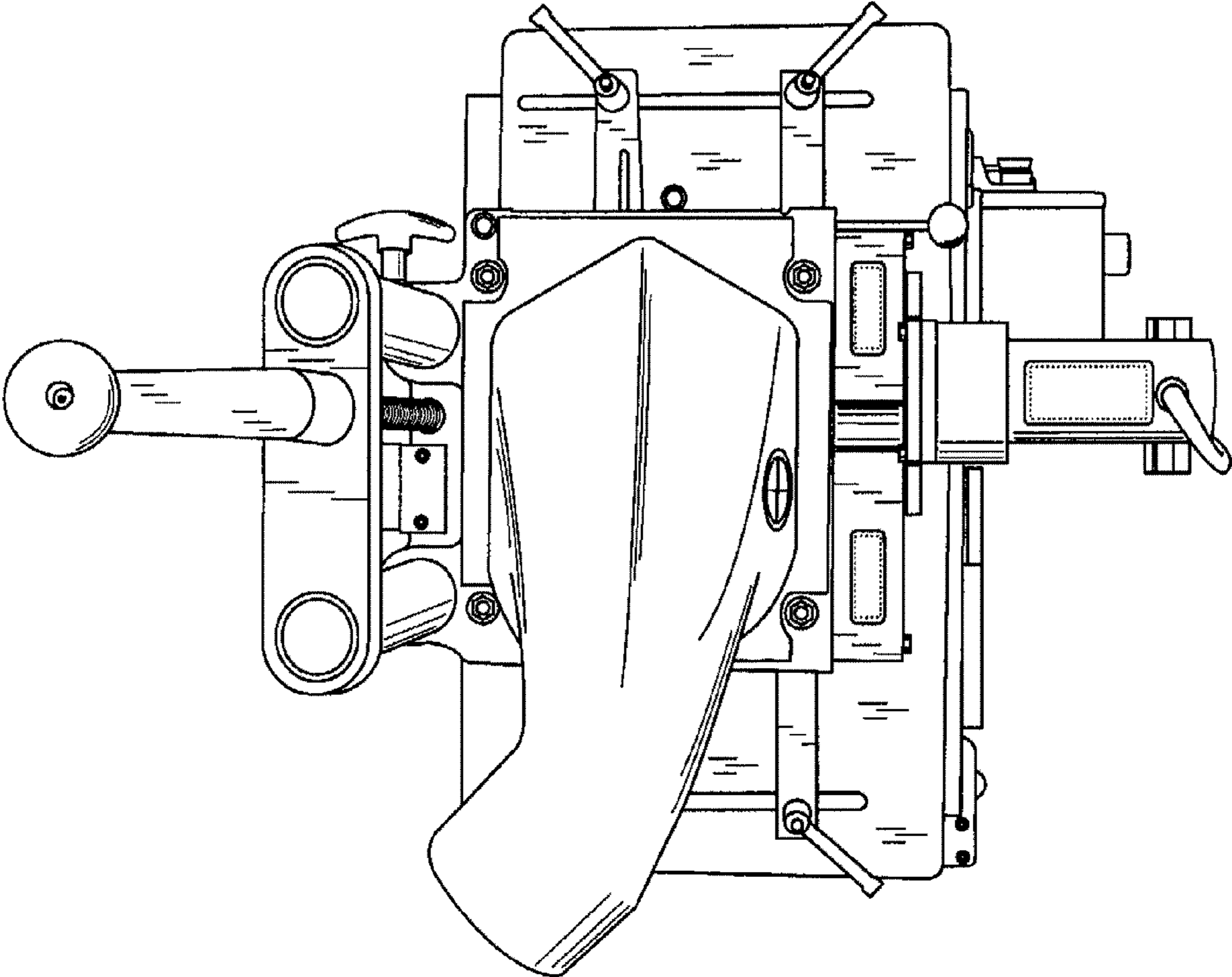


FIG. 2

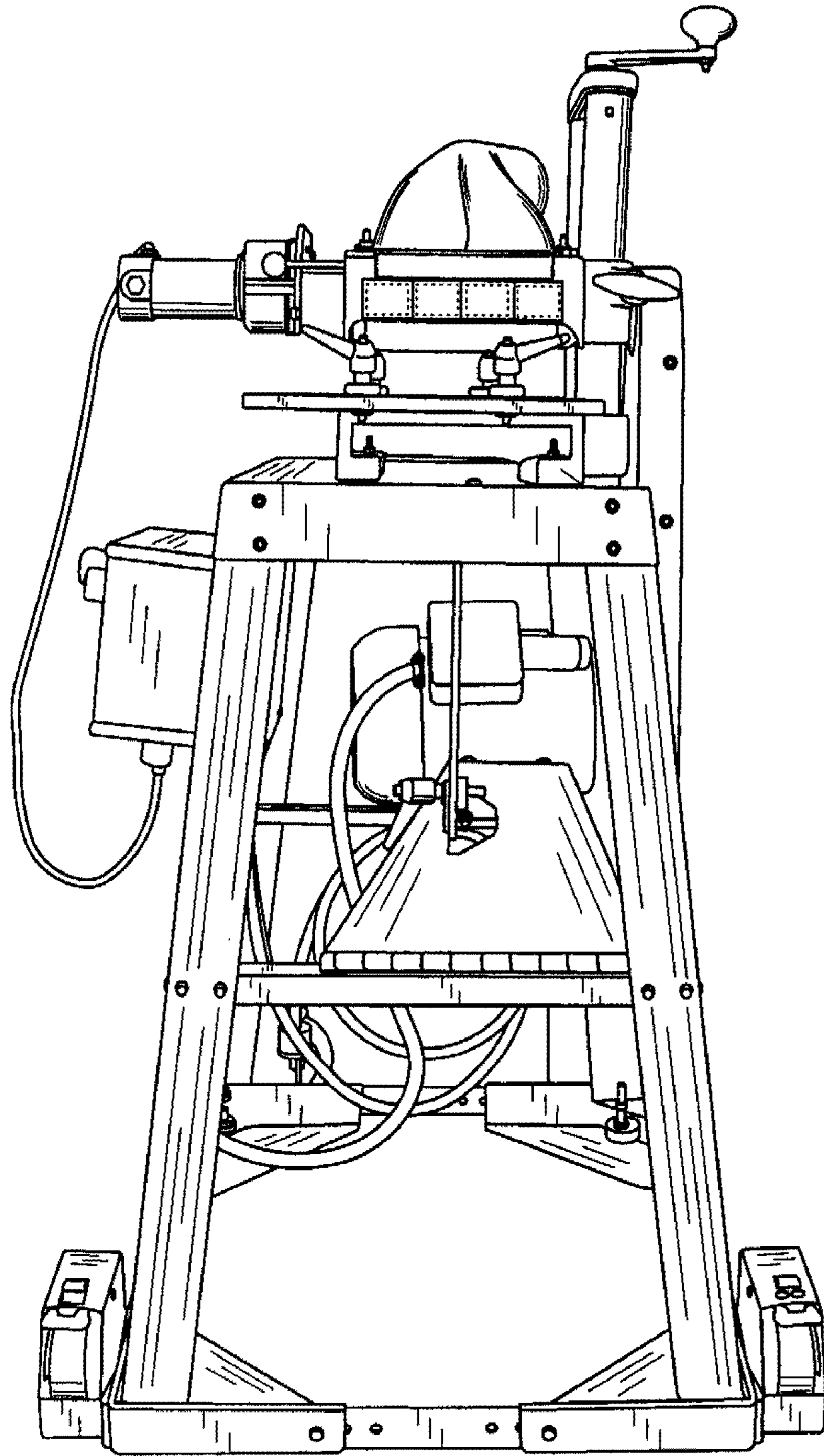


FIG. 3

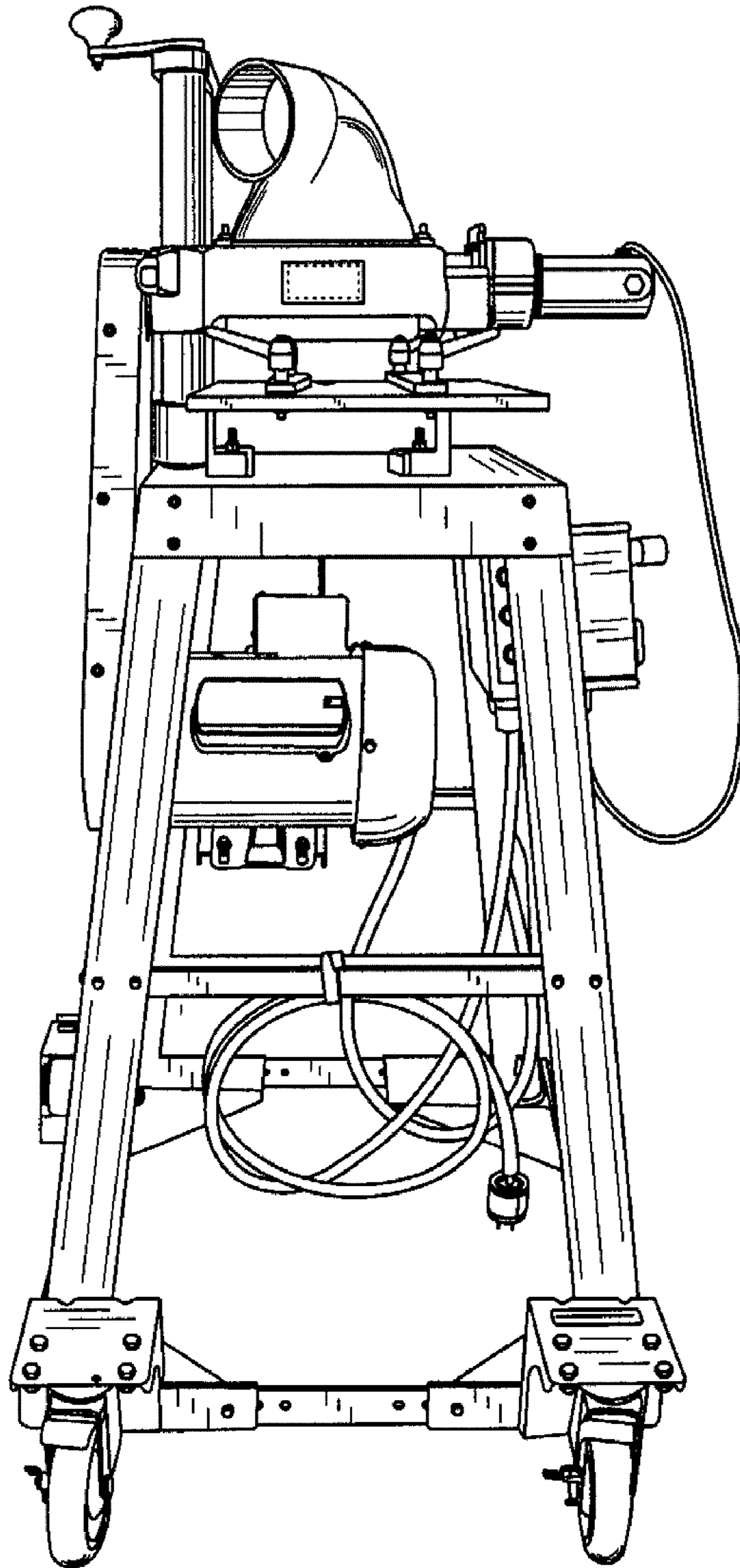


FIG. 4

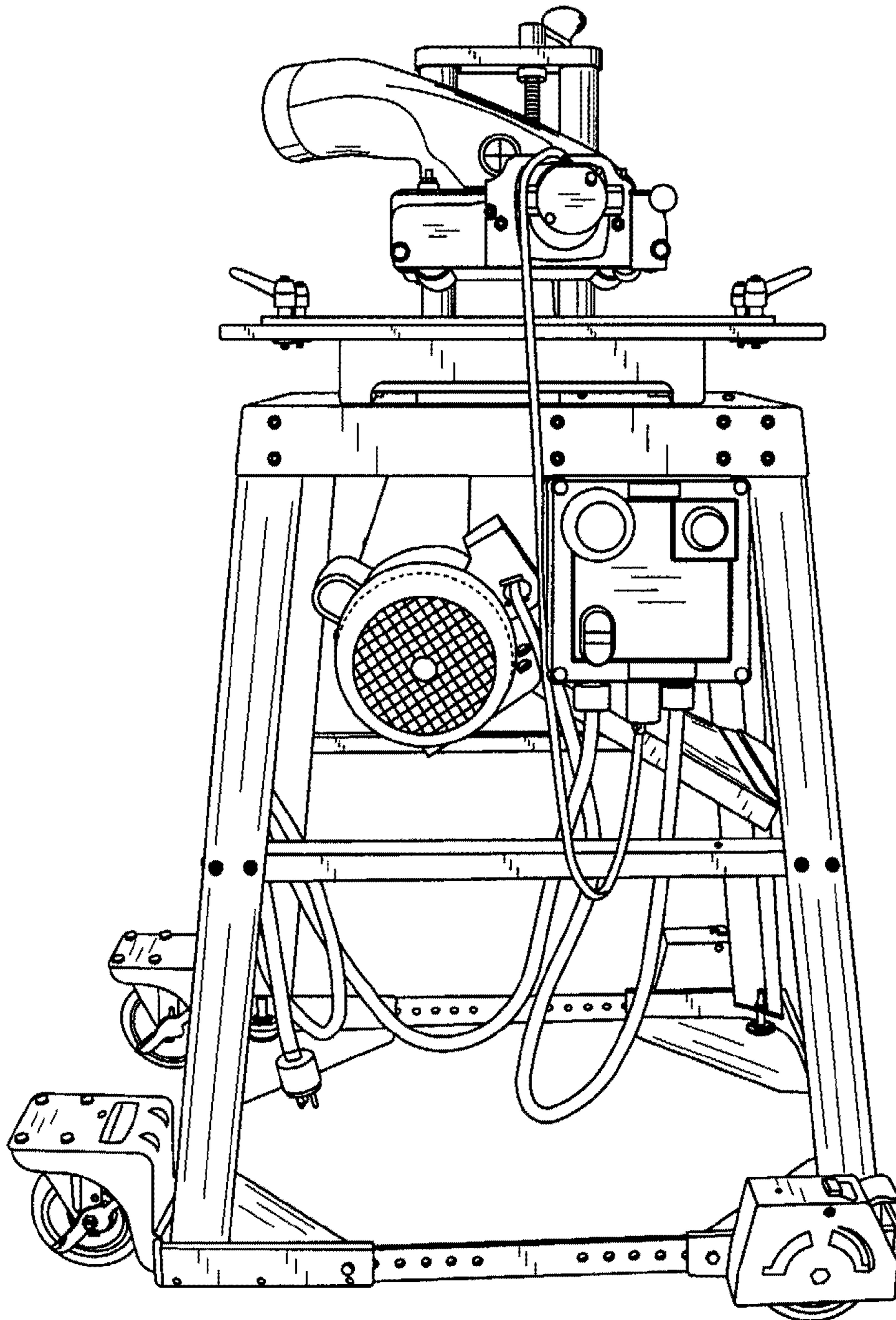


FIG. 5

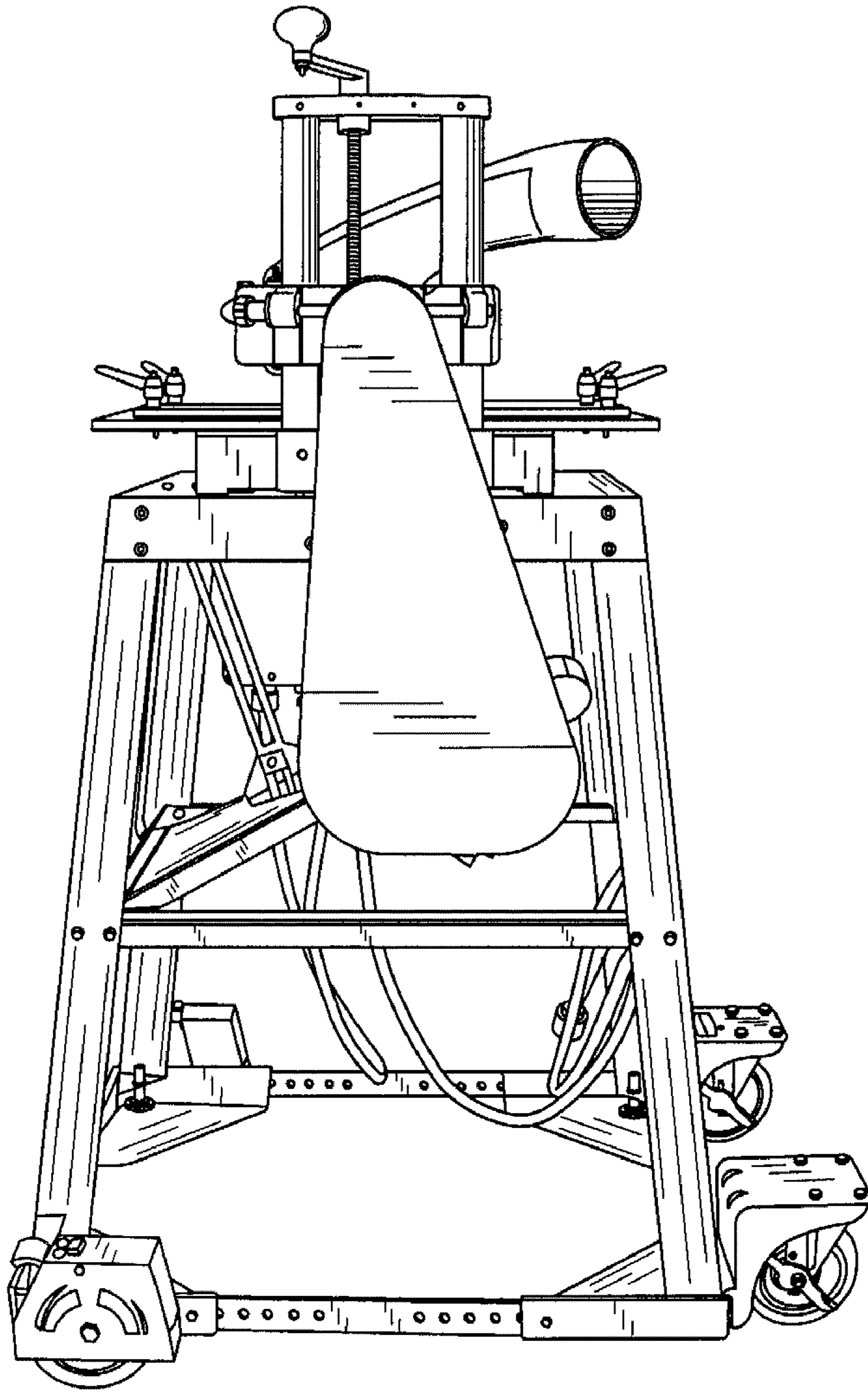


FIG. 6