



US00D638447S

(12) **United States Design Patent**  
**Ijiri**

(10) **Patent No.:** **US D638,447 S**

(45) **Date of Patent:** **\*\* May 24, 2011**

(54) **RUBBER CRAWLER**

(75) Inventor: **Masaaki Ijiri**, Tokyo (JP)

(73) Assignee: **Bridgestone Corporation**, Tokyo (JP)

(\*\*) Term: **14 Years**

(21) Appl. No.: **29/369,914**

(22) Filed: **Sep. 15, 2010**

(30) **Foreign Application Priority Data**

Mar. 16, 2010 (JP) ..... 2010-006413

(51) **LOC (9) Cl.** ..... **15-03**

(52) **U.S. Cl.** ..... **D15/28**

(58) **Field of Classification Search** ..... D15/22-26,  
D15/28; D21/491, 495, 537, 431, 484; 152/108,  
152/62, 88; 305/35, 44, 160, 185, 53, 201,  
305/46, 50, 196, 198, 200, 39, 162, 187,  
305/191, 189

See application file for complete search history.

(56) **References Cited**

U.S. PATENT DOCUMENTS

D302,017 S *	7/1989	Grawey et al. ....	D15/28
D309,314 S *	7/1990	Grawey et al. ....	D15/28
D454,890 S *	3/2002	Tsuru .....	D15/28
D455,444 S *	4/2002	Tsuru .....	D15/28
6,402,268 B1 *	6/2002	Lussier .....	305/165
D472,249 S *	3/2003	Thomas .....	D15/28
D472,561 S *	4/2003	Thomas .....	D15/28
D473,243 S *	4/2003	Thomas .....	D15/28
D474,205 S *	5/2003	Feldmann .....	D15/28
D484,515 S *	12/2003	Nishimura .....	D15/28
D496,051 S *	9/2004	Yoshida .....	D15/28
6,929,335 B2 *	8/2005	Colwell et al. ....	305/194
D514,133 S *	1/2006	Fujita .....	D15/28
7,090,312 B2 *	8/2006	Soucy et al. ....	305/160
7,114,788 B2 *	10/2006	Deland et al. ....	305/157
D543,218 S *	5/2007	Yoshida .....	D15/28

D549,244 S *	8/2007	Noel .....	D15/28
D549,741 S *	8/2007	Tateishi .....	D15/28
D557,713 S *	12/2007	Sugihara .....	D15/28
D561,786 S *	2/2008	Tateishi .....	D15/28
D569,393 S *	5/2008	Tateishi .....	D15/28
D575,805 S *	8/2008	Sugihara .....	D15/28
D588,167 S *	3/2009	Shimozono .....	D15/28
D588,169 S *	3/2009	Hagio .....	D15/28
D602,962 S *	10/2009	Miyamoto et al. ....	D15/28
D613,774 S *	4/2010	Mizusawa .....	D15/28
D615,105 S *	5/2010	Abiko .....	D15/28
D615,106 S *	5/2010	Shimozono .....	D15/28
D617,816 S *	6/2010	Abiko .....	D15/28
D618,254 S *	6/2010	Shimozono .....	D15/28
D618,710 S *	6/2010	Abiko .....	D15/28
D626,973 S *	11/2010	Shimozono .....	D15/28
2007/0252433 A1 *	11/2007	Fujita .....	305/46
2009/0218882 A1 *	9/2009	Rowbottom et al. ....	305/158

\* cited by examiner

*Primary Examiner* — Mark A Goodwin

(74) *Attorney, Agent, or Firm* — Sughrue Mion, PLLC

(57) **CLAIM**

The ornamental design for a rubber crawler, as shown and described.

**DESCRIPTION**

FIG. 1 is a front view of a rubber crawler showing my new design.

FIG. 2 is a perspective view thereof;

FIG. 3 is a rear view thereof;

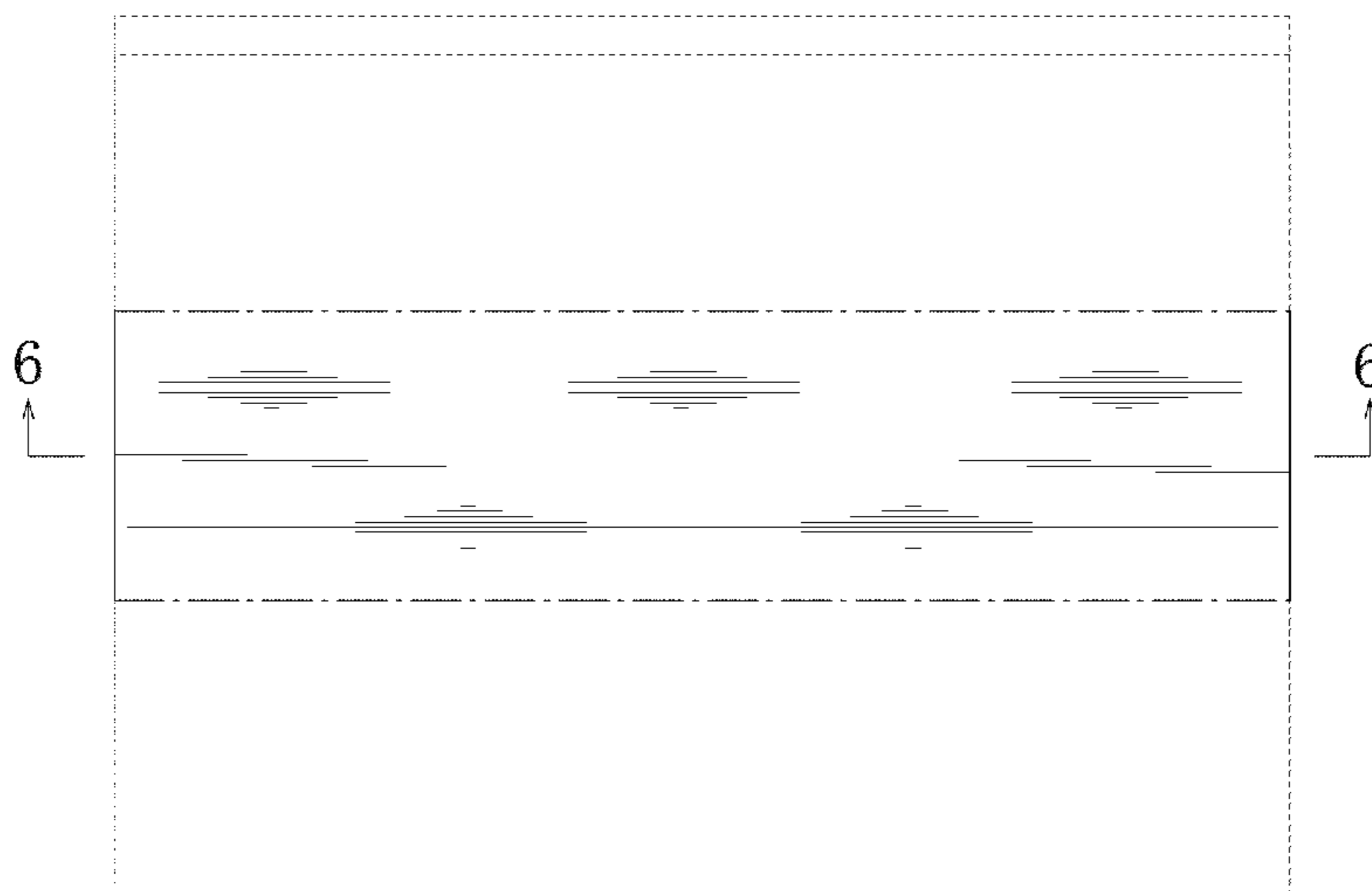
FIG. 4 is a top view thereof;

FIG. 5 is a left side view thereof; and,

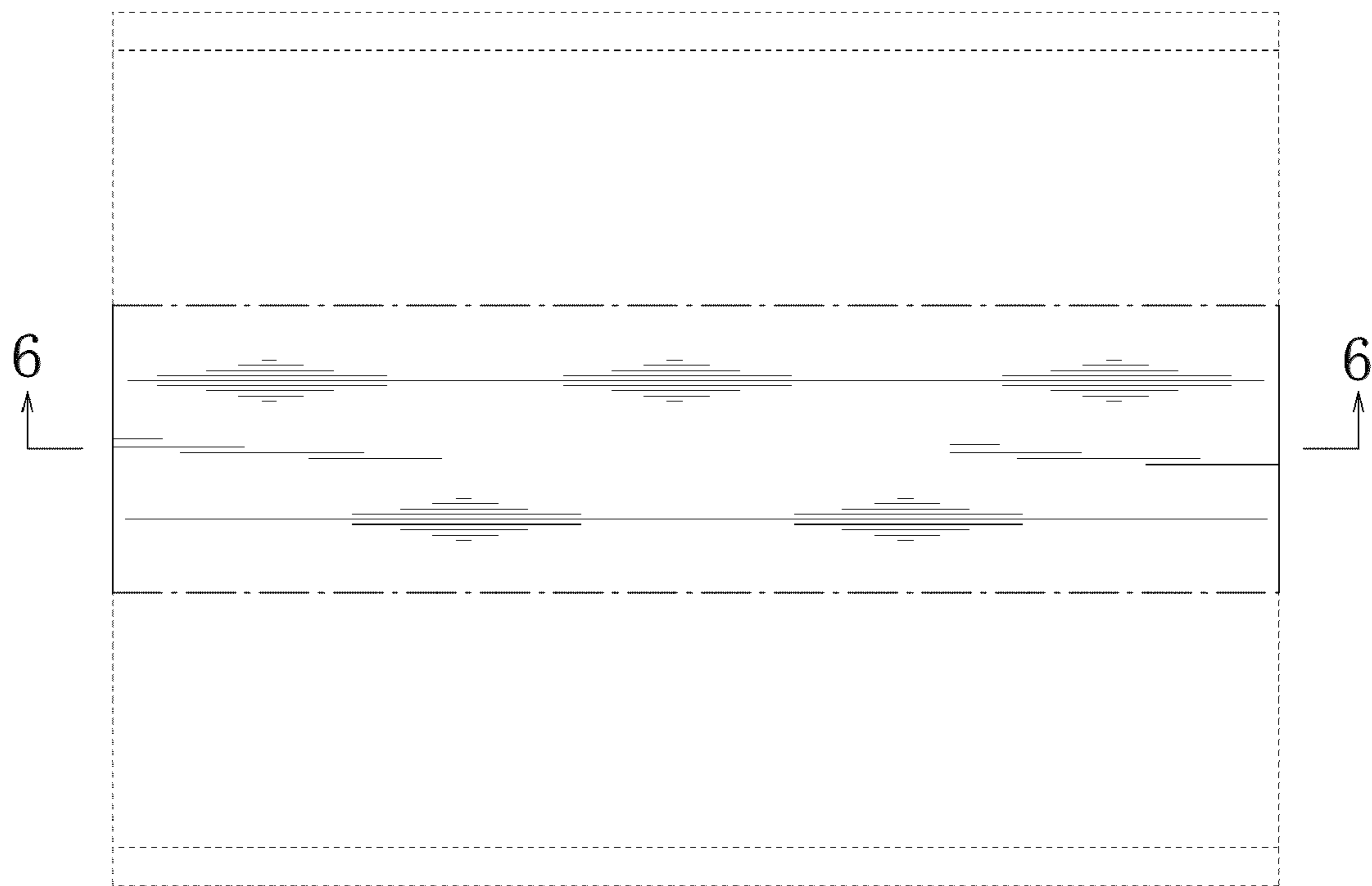
FIG. 6 is a cross-sectional view taken along the line 6—6 in FIG. 1.

The broken lines in the drawing figures show environmental structure only and form no part of the claimed design. The dash-dot-dash line in FIGS. 1 and 2 shows a border between claimed and unclaimed subject matter.

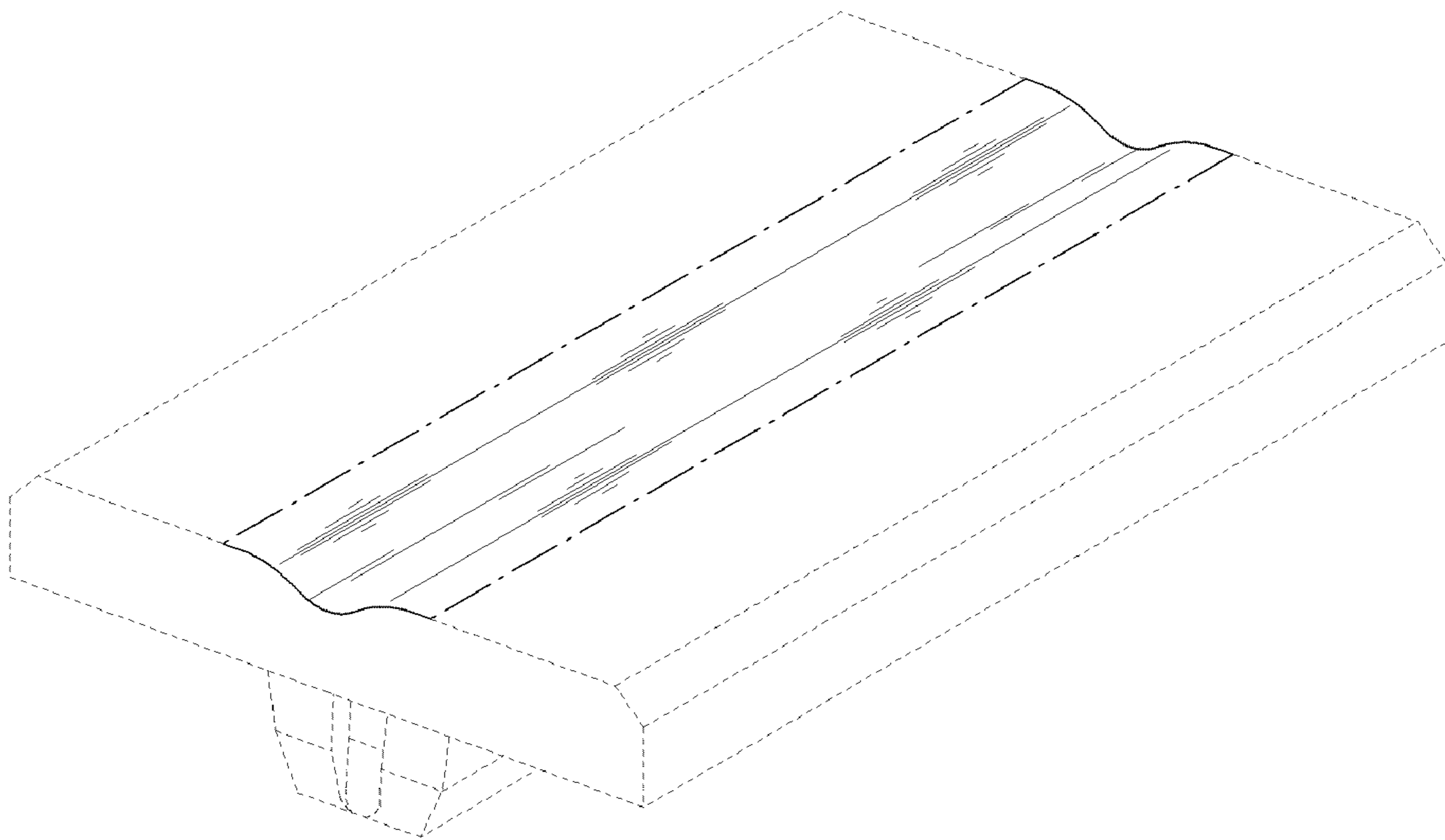
**1 Claim, 6 Drawing Sheets**



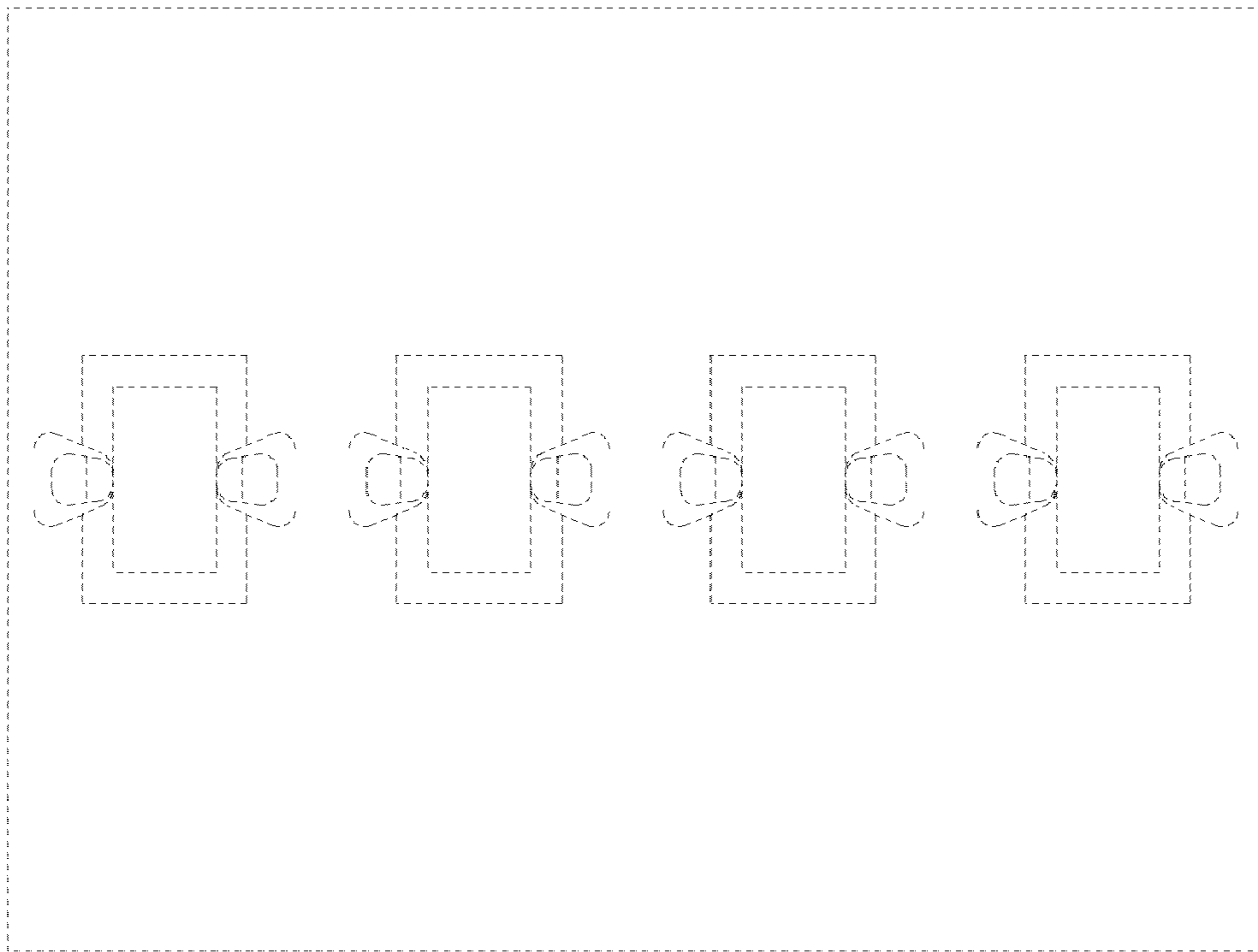
*FIG. 1*



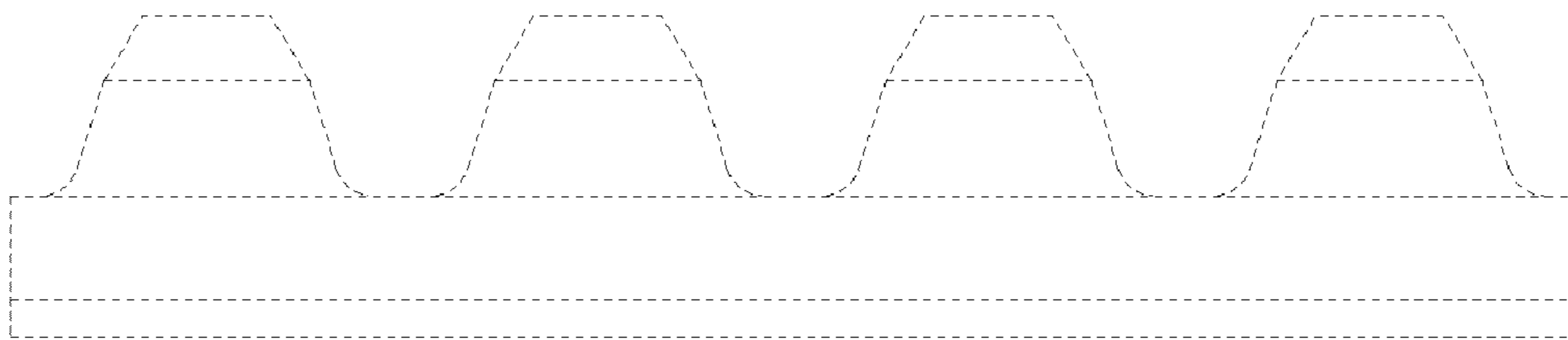
*FIG. 2*



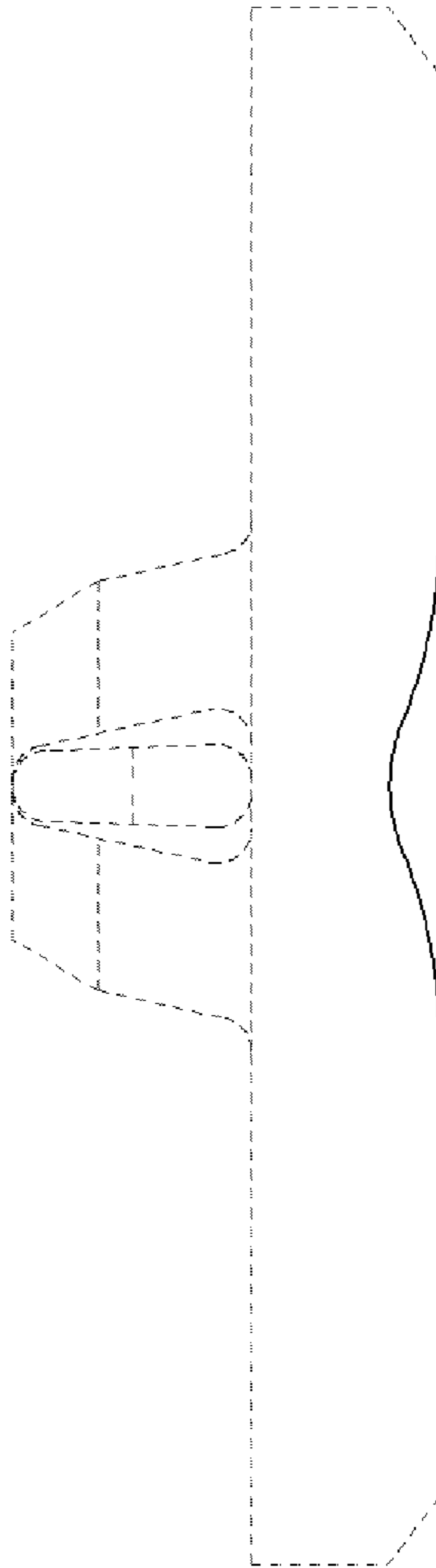
*FIG. 3*



*FIG. 4*



*FIG. 5*



*FIG. 6*

