



US00D638431S

(12) **United States Design Patent**
Pomerantz et al.

(10) **Patent No.:** **US D638,431 S**

(45) **Date of Patent:** **** *May 24, 2011**

(54) **MICROSD MEMORY CARD WITH A SEMI-TRANSPARENT COLOR SURFACE**

(75) Inventors: **Itzhak Pomerantz**, Kefar Sava (IL);
Robert C. Miller, San Jose, CA (US)

(73) Assignee: **SanDisk Corporation**, Milpitas, CA (US)

(**) Term: **14 Years**

(21) Appl. No.: **29/359,216**

(22) Filed: **Apr. 7, 2010**

Related U.S. Application Data

(62) Division of application No. 29/345,641, filed on Oct. 20, 2009.

(51) **LOC (9) Cl.** **14-02**

(52) **U.S. Cl.** **D14/436**

(58) **Field of Classification Search** D14/435-438, D14/478-480; 235/441, 443, 487, 492, 493, 235/495; 361/737, 679, 752, 736, 728, 796, 361/797, 729, 730, 725-727; 257/678, 679, 257/693, E23.064; 439/946, 948, 159; 174/250, 174/260, 52.1, 52.2; 710/300-303; 438/121
See application file for complete search history.

(56) **References Cited**

U.S. PATENT DOCUMENTS

3,688,088 A 8/1972 Brown et al.
D257,345 S * 10/1980 Levy D14/435

(Continued)

FOREIGN PATENT DOCUMENTS

FR 2 691 105 11/1993

(Continued)

OTHER PUBLICATIONS

“Micro SD Card Product Specification, Version 1.0,” TwinMOS Technologies Inc., http://www.sparkfun.com/datasheets/Prototyping/microSD_Spec.pdf, 13 pages, 2001.

“MiniSD Secure Digital Card, Specification,” Double Top Technology (DTT) Limited, <http://www.dtt8.com/images/minisd%20specification.pdf>, 11 pages, 2006.

(Continued)

Primary Examiner — Susan Moon Lee

(74) *Attorney, Agent, or Firm* — Brinks Hofer Gilson & Lione

(57) **CLAIM**

The ornamental design for a microSD memory card with a semi-transparent color surface, substantially as shown and described.

DESCRIPTION

FIG. 1 is a front perspective view of a microSD memory card with a semi-transparent color surface according to a first embodiment of our new design;

FIG. 2 is a top plan view thereof;

FIG. 3 is a bottom plan view thereof;

FIG. 4 is a left side elevation view thereof;

FIG. 5 is a right side elevation view thereof;

FIG. 6 is a rear elevation view thereof;

FIG. 7 is a front elevation view thereof;

FIG. 8 is a front perspective view of a microSD memory card with a semi-transparent color surface according to a second embodiment of our new design;

FIG. 9 is a top plan view thereof;

FIG. 10 is a bottom plan view thereof;

FIG. 11 is a left side elevation view thereof;

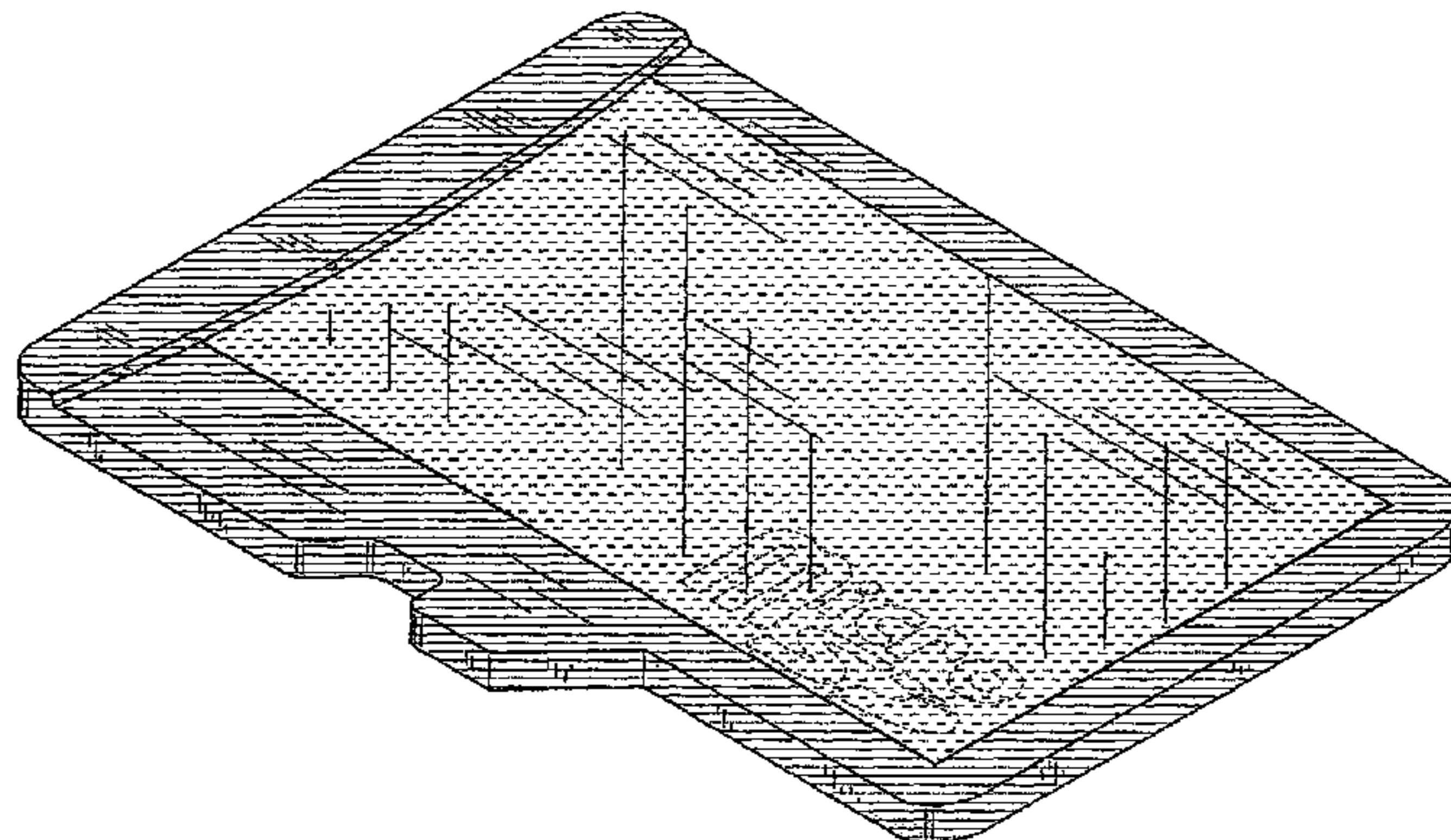
FIG. 12 is a right side elevation view thereof;

FIG. 13 is a rear elevation view thereof; and,

FIG. 14 is a front elevation view thereof.

The differently-shaded areas indicate different color surfaces of the microSD memory card but are not intended to indicate specific colors. The transparency shading used in combination with a color shading indicates a semi-transparent color surface. The “microSD” logo shown in phantom is not part of the claimed design and is only shown to illustrate the fact that the semi-transparent color surface allows indicia on the microSD memory card, if present, to be seen therethrough. The elements shown in broken line are not claimed.

1 Claim, 6 Drawing Sheets



D554,123 S 10/2007 Day et al.
 7,286,257 B1 10/2007 Morgavi
 7,291,903 B2 11/2007 Nishizawa et al.
 D556,764 S 12/2007 Nishizawa et al.
 7,303,127 B2 12/2007 Brewer et al.
 7,306,160 B2* 12/2007 Takiar et al. 235/492
 7,306,161 B2 12/2007 Takiar et al.
 7,307,848 B2 12/2007 Takiar
 D560,717 S 1/2008 Robertson et al.
 7,324,347 B2* 1/2008 Nakanishi et al. 361/737
 7,335,034 B1 2/2008 Liu
 7,336,498 B2 2/2008 Takiar et al.
 D568,151 S 5/2008 Moffat et al.
 7,371,119 B1* 5/2008 Lee 439/630
 7,374,104 B2* 5/2008 Aoki et al. 235/492
 7,393,246 B2 7/2008 Chi
 7,410,376 B2 8/2008 Ying et al.
 7,416,132 B2 8/2008 Takiar et al.
 7,427,032 B2* 9/2008 Osako et al. 235/492
 D579,044 S 10/2008 Lasch et al.
 7,440,285 B2* 10/2008 Centofante 361/737
 7,443,690 B2 10/2008 Matsumoto et al.
 D579,940 S 11/2008 Pepin
 D581,932 S 12/2008 Nishizawa et al.
 7,458,519 B2* 12/2008 Aoki et al. 235/492
 D584,769 S* 1/2009 Hammad D19/10
 D585,448 S 1/2009 Kawaguchi et al.
 D588,598 S* 3/2009 Nakamura D14/436
 D591,752 S* 5/2009 Aoki D14/436
 D591,754 S* 5/2009 Hwangbo et al. D14/436
 D593,600 S 6/2009 Lasch et al.
 7,547,234 B2* 6/2009 Wallace 439/630
 D596,007 S 7/2009 Price et al.
 7,607,221 B2* 10/2009 Centofante et al. 29/832
 D607,885 S 1/2010 Otani et al.
 7,669,773 B2 3/2010 Nishizawa et al.
 7,719,845 B1 5/2010 Jang et al.
 2002/0066790 A1 6/2002 Cocco
 2003/0048605 A1* 3/2003 Kyojuka et al. 361/686
 2003/0075609 A1* 4/2003 Kim 235/492
 2003/0109179 A1* 6/2003 Kaneshiro et al. 439/638
 2003/0162445 A1* 8/2003 Fujita et al. 439/638
 2004/0062109 A1* 4/2004 Wallace 365/202
 2004/0064619 A1 4/2004 Liu et al.
 2004/0087213 A1 5/2004 Kao
 2004/0089717 A1* 5/2004 Harari et al. 235/441
 2004/0090829 A1 5/2004 Miura et al.
 2004/0229511 A1* 11/2004 Chen 439/638
 2005/0011671 A1 1/2005 Takiar et al.
 2005/0021909 A1 1/2005 Much et al.
 2005/0037671 A1 2/2005 Yamada et al.
 2005/0105360 A1 5/2005 Takiar et al.
 2005/0111280 A1 5/2005 Takiar et al.
 2005/0148217 A1* 7/2005 Takiar et al. 439/76.1
 2005/0253239 A1 11/2005 Nishizawa et al.
 2006/0003609 A1 1/2006 Hwang
 2006/0014434 A1 1/2006 Yamamoto et al.

2006/0194479 A1* 8/2006 Osako et al. 439/638
 2008/0252323 A1 10/2008 Hopkins et al.
 2009/0090782 A1 4/2009 May

FOREIGN PATENT DOCUMENTS

JP 2005352790 12/2005
 JP 2006142643 6/2006
 JP 2009205309 A 9/2009
 WO WO 2007/067802 A2 6/2007

OTHER PUBLICATIONS

“Elecom Evil 2GB MicroSD Card,” <http://www.geekstuff4u.com/accessories/storage/elecom-evil-2gb-microsd-card.html>, 2 pages, 2008.
 Photographs of Elecom Evil 2GB MicroSD Card, 7 pages, 2009.
 “microSD,” <http://en.wikipedia.org/wiki/Microsd>, 3 pages, 2009.
 “SanDisk 2.0 GB SD card,” 1 page, 2009.
 SanDisk gruvi micro SD card of the Rolling Stones “A Bigger Bang’,” http://www.manifest-tech.com/images/consumer_elec/flash_media/rs_big_bang.jpg, 1 page, 2006.
 “SanDisk Receives CES Innovations Design Award for Its Gruvi Rolling Stones Card,” http://www.dexinger.com/design_news/4840.html, Feb. 20, 2006, 3 pages.
 “ImagesNest Rip 2.0,” <http://www.bluecubit.com>, 2007-2009, 2 pages.
 “MicroSD Memory Card with a Semi-Transparent Color Surfaces,” U.S. Appl. No. 29/345,641, filed Oct. 20, 2009, inventors: Itzhak Pomerantz and Robert C. Miller.
 “MicroSD Memory Card with Colored Grip,” U.S. Appl. No. 29/345,643, filed Oct. 20, 2009, inventor: Itzhak Pomerantz.
 Office Action directed against U.S. Appl. No. 29/345,643, 4 pages, Apr. 1, 2010.
 Office Action for U.S. Appl. No. 29/345,643, dated Jun. 8, 2010, 5 pages.
 Office Action for U.S. Appl. No. 29/345,635, dated Jun. 11, 2010, 6 pages.
 Office Action for U.S. Appl. No. 29/345,641, dated Jun. 11, 2010, 8 pages.
 Notice of Allowance for U.S. Appl. No. 29/359,213, dated Sep. 16, 2010, 10 pages.
 U.S. Appl. No. 12/897,451, filed Oct. 4, 2010, 72 pages.
 Office Action for U.S. Appl. No. 29/345,635, dated Jan. 4, 2011, 5 pages.
 Office for U.S. Appl. No. 29/345,641, dated Jan. 4, 2011, 5 pages.
 “MicroSD Memory Card with Different Color Surfaces”, U.S. Appl. No. 29/345,635, filed Oct. 20, 2009, inventors: Itzhak Pomerantz and Robert C. Miller.
 Search and Written Opinion for PCT Application No. PCT/US2010/052637, dated Dec. 17, 2010, 9 pages.
 Office Action for U.S. Appl. No. 29/345,643, dated Feb. 24, 2011, 5 pages.

* cited by examiner

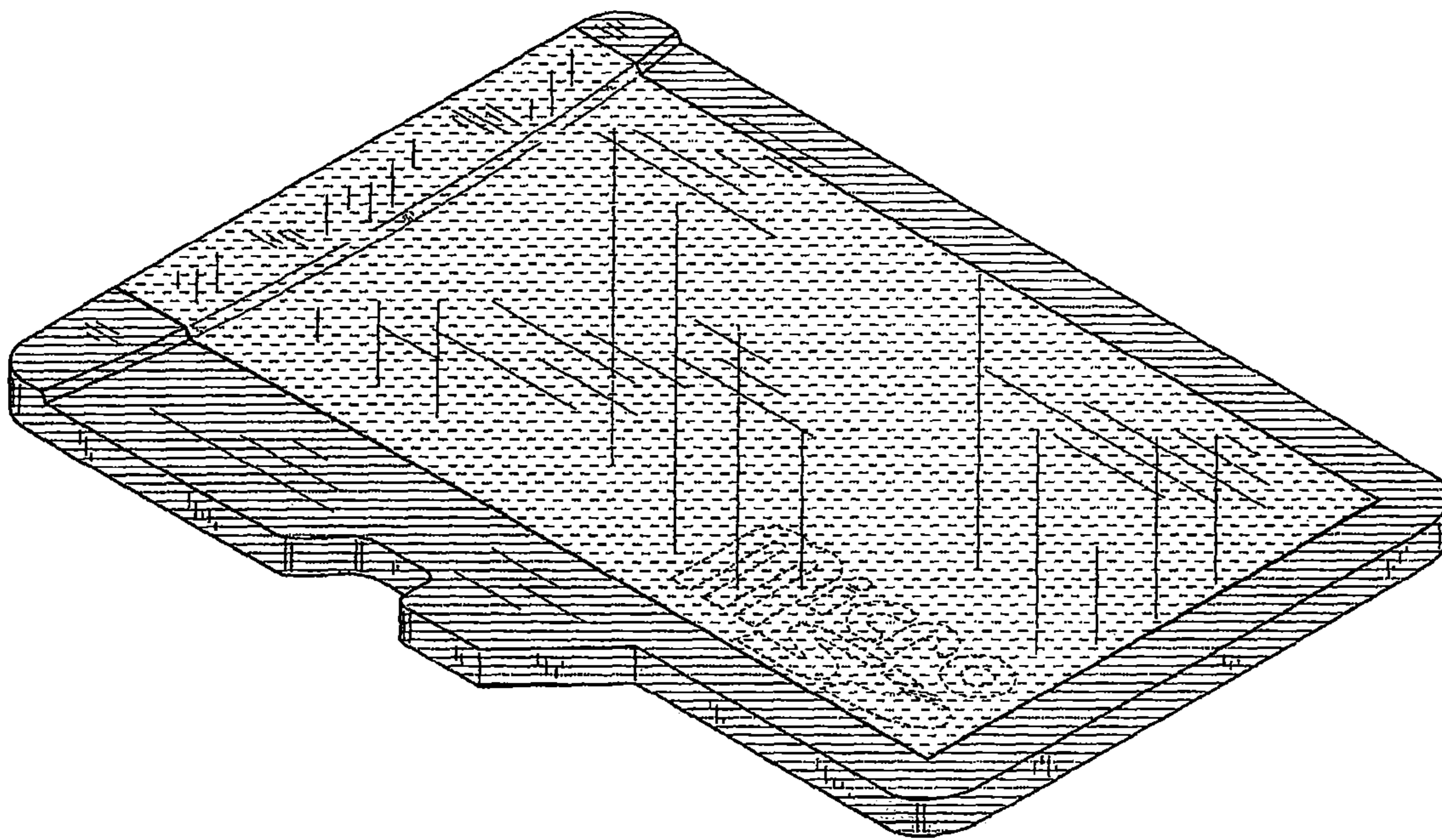


FIG. 1

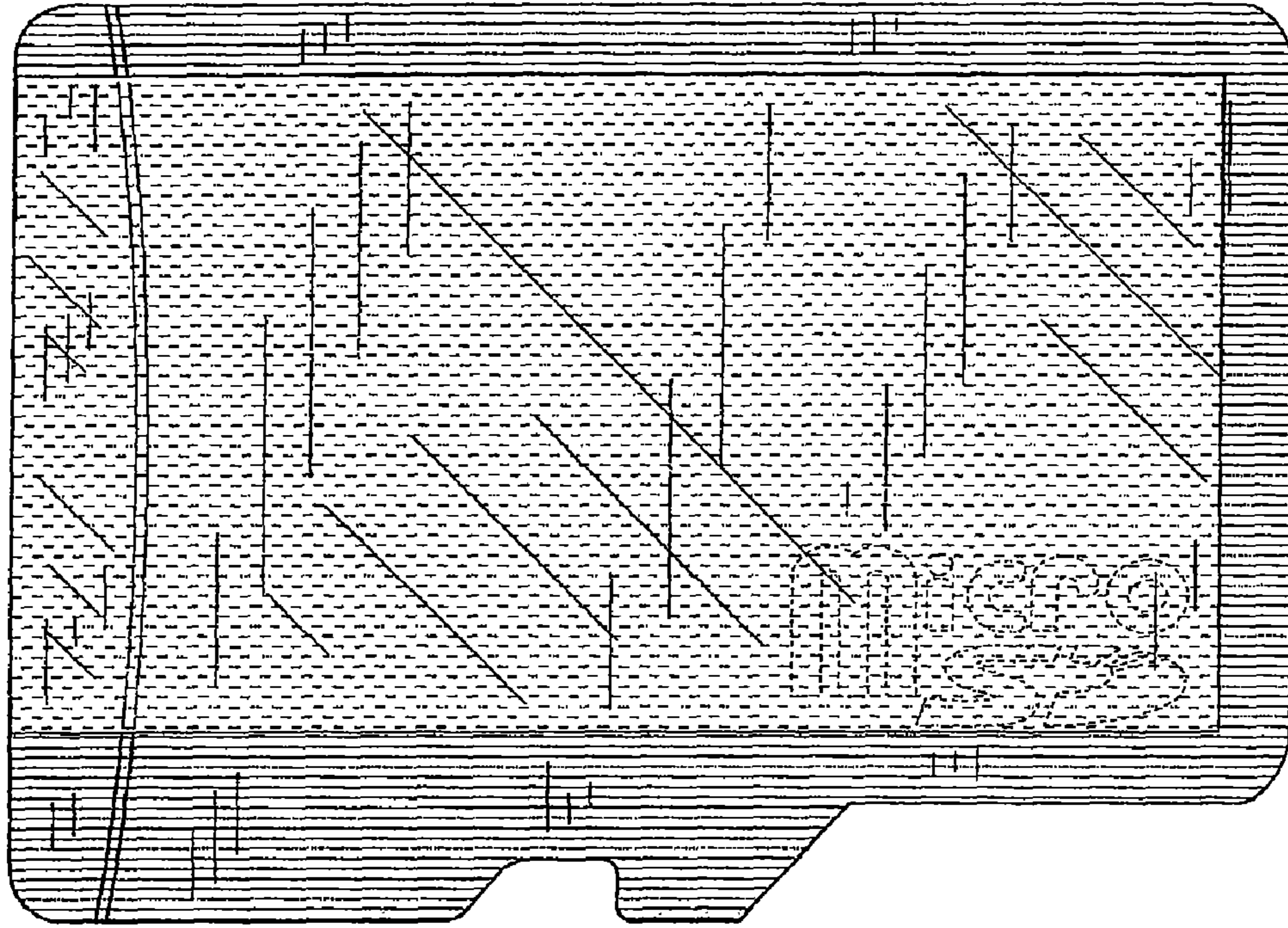


FIG. 2

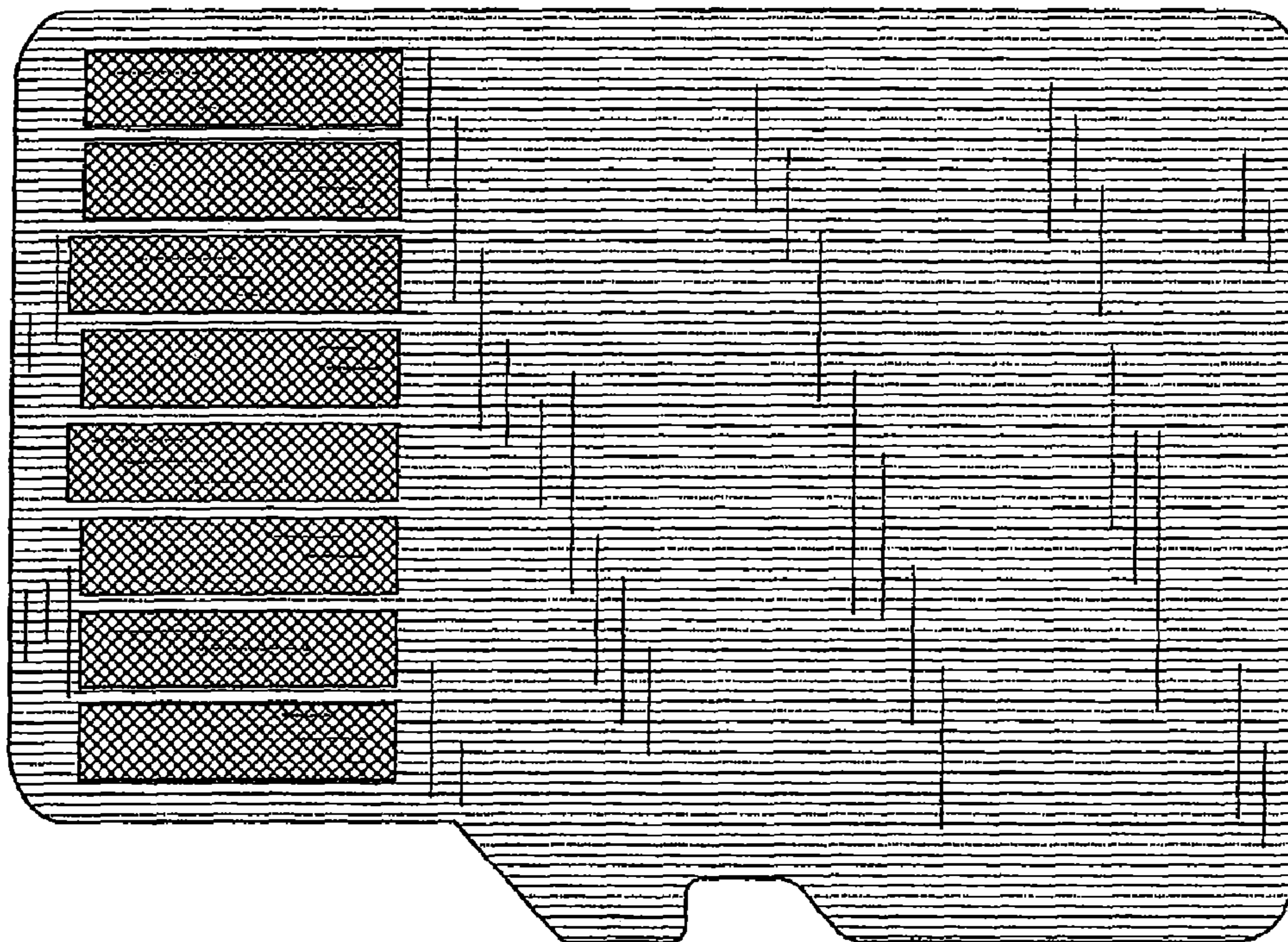


FIG. 3

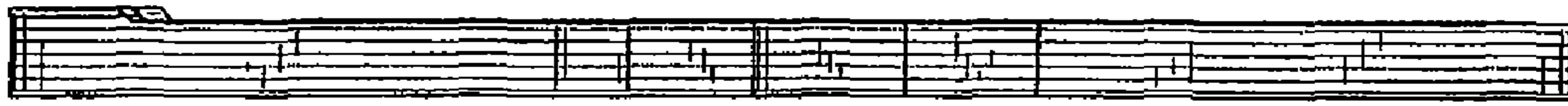


FIG. 4

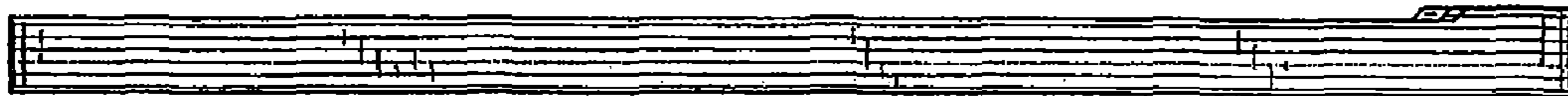


FIG. 5

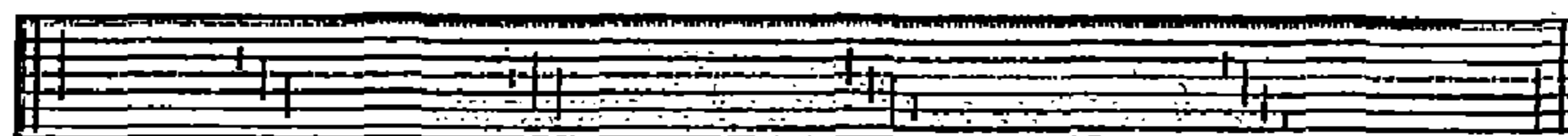


FIG. 6

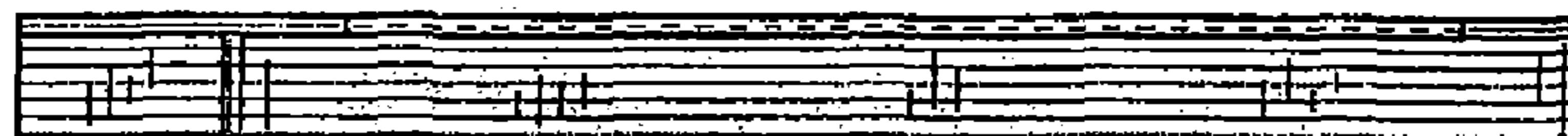


FIG. 7

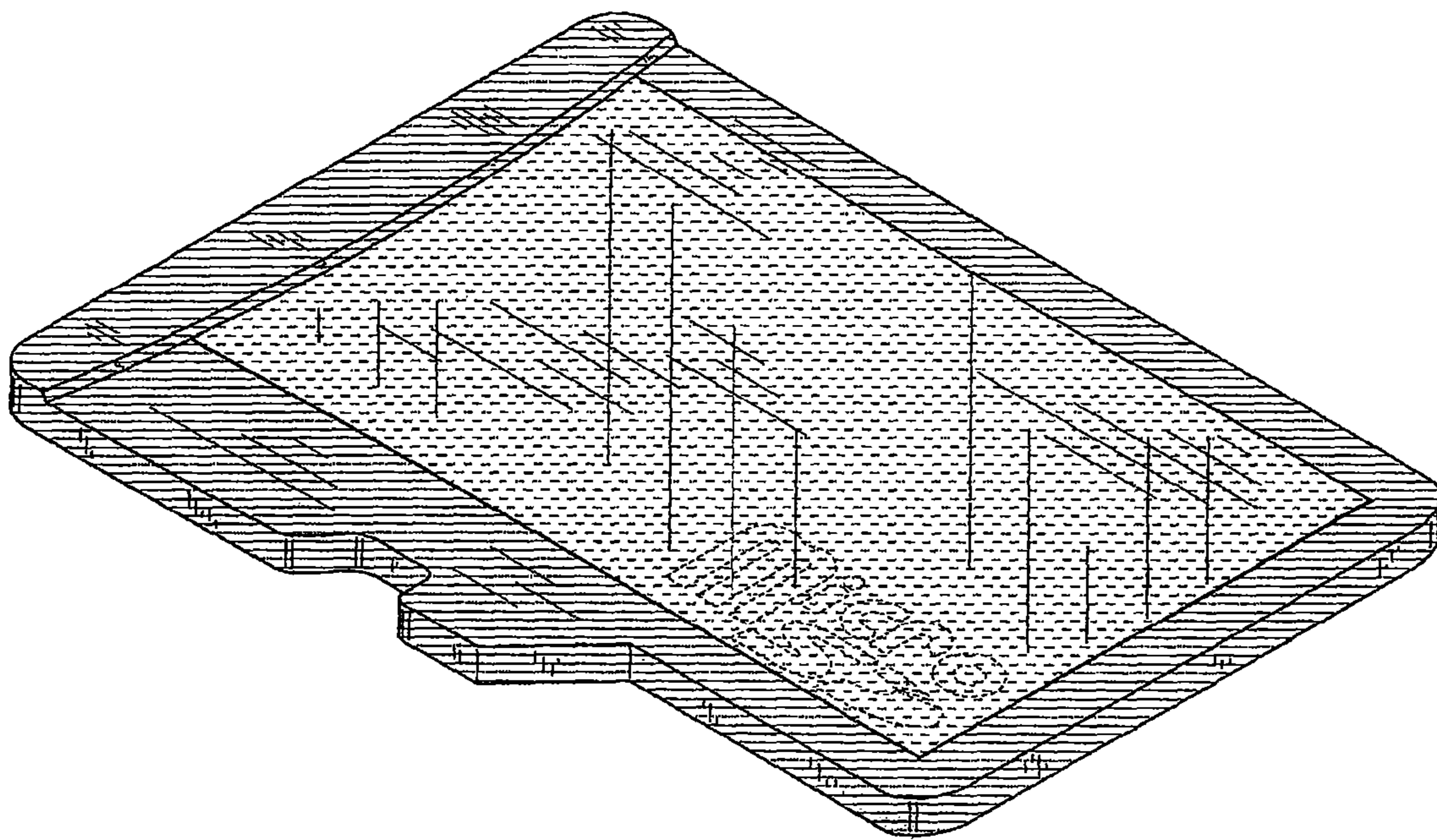


FIG. 8

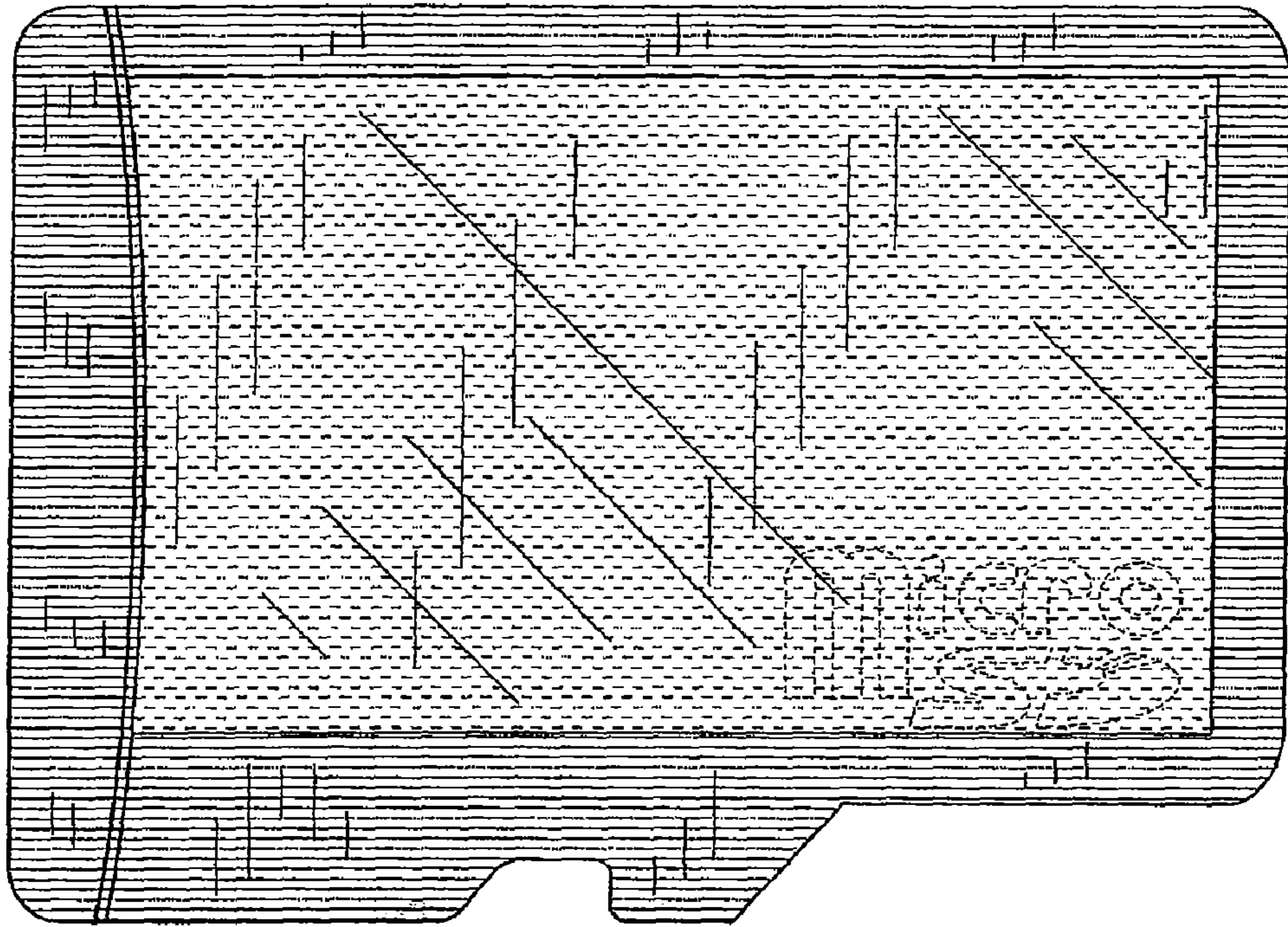


FIG. 9

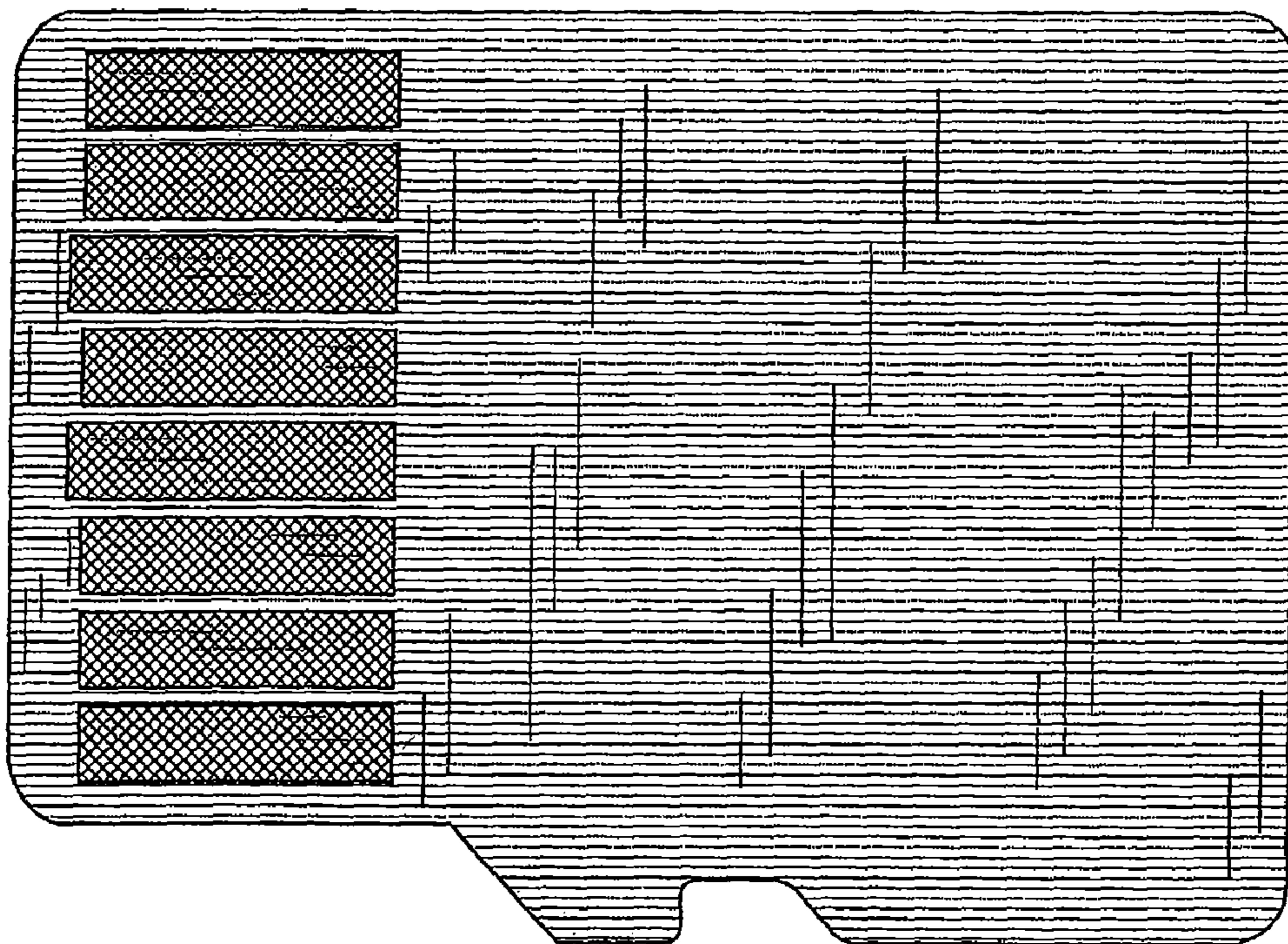


FIG. 10

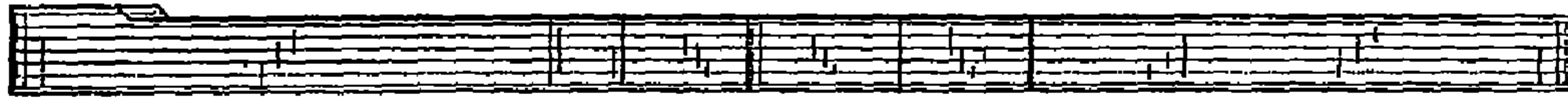


FIG. 11

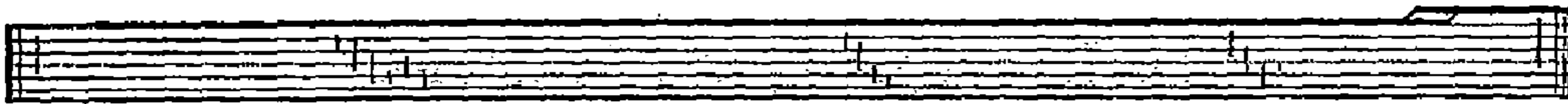


FIG. 12

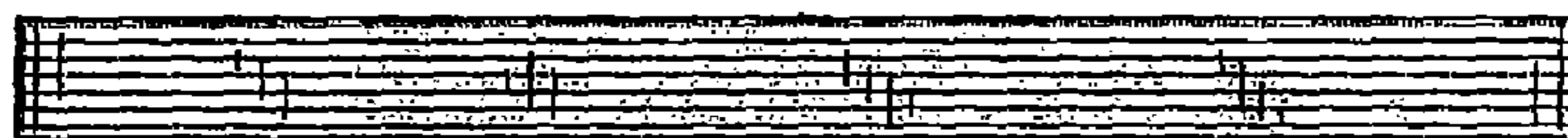


FIG. 13

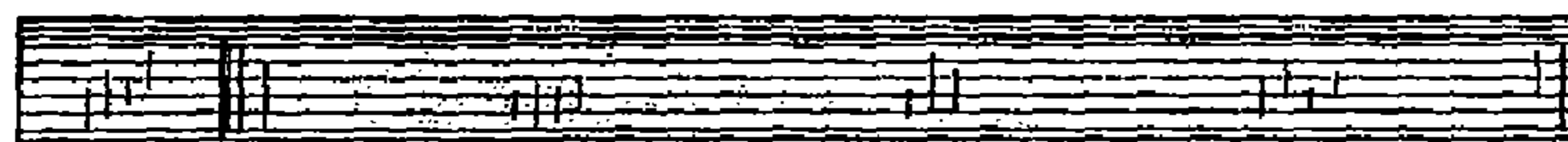


FIG. 14