



US00D638427S

(12) **United States Design Patent**
Kujawski et al.

(10) **Patent No.:** **US D638,427 S**

(45) **Date of Patent:** **** May 24, 2011**

(54) **ELECTRONIC MOUSE**

(75) Inventors: **Chris Kujawski**, Seattle, WA (US);
Joseph P. Sullivan, Issaquag, WA (US);
Peter Bristol, Shoreline, WA (US)

(73) Assignee: **Microsoft Corporation**, Redmond, WA (US)

(**) Term: **14 Years**

(21) Appl. No.: **29/378,692**

(22) Filed: **Nov. 8, 2010**

(51) **LOC (9) Cl.** **14-02**

(52) **U.S. Cl.** **D14/402**

(58) **Field of Classification Search** D14/402-411,
D14/356, 388, 389, 383-385, 417, 426;
345/156-167; 463/36-38; 358/471, 473;
273/148 B

See application file for complete search history.

(56) **References Cited**

U.S. PATENT DOCUMENTS

D382,550 S * 8/1997 Kaneko et al. D14/454
D443,616 S * 6/2001 Fisher et al. D14/402

D473,232 S 4/2003 Fisher
D473,870 S * 4/2003 Fisher D14/402
D543,205 S 5/2007 Fisher
D544,864 S * 6/2007 Chatterjee et al. D14/409
D592,665 S * 5/2009 Andre et al. D14/402
D630,214 S 1/2011 Kim et al.

* cited by examiner

Primary Examiner — Austin Murphy

(74) *Attorney, Agent, or Firm* — Banner & Witcoff, Ltd.

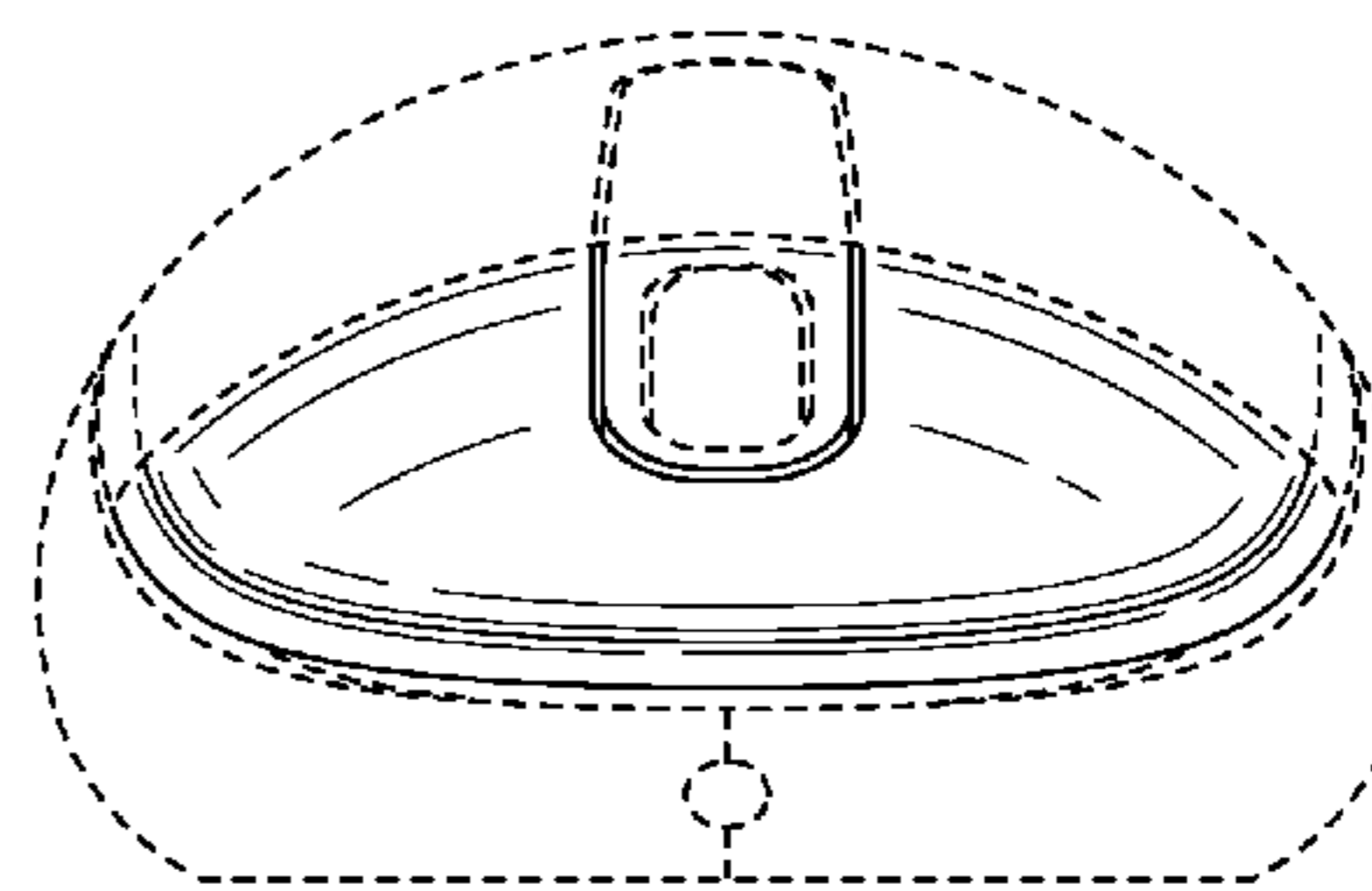
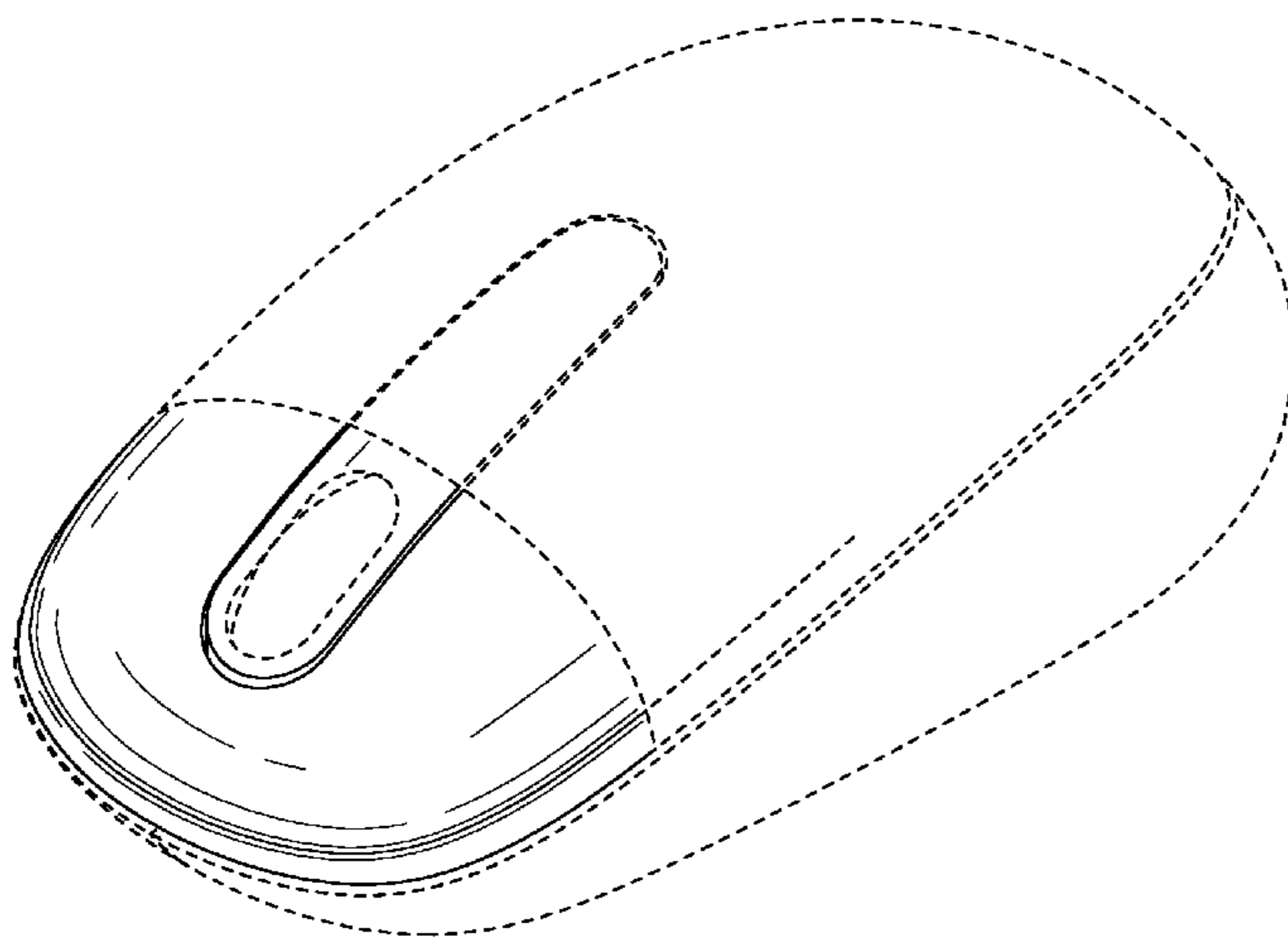
(57) **CLAIM**

The ornamental design for an electronic mouse, as shown and described.

DESCRIPTION

FIG. 1 is a perspective view of an electronic mouse showing the new design;
FIG. 2 is a front view thereof;
FIG. 3 is a top view thereof;
FIG. 4 is a left side view thereof; and,
FIG. 5 is a right side view thereof.
The broken lines shown in the drawings represent portions of the electronic mouse that form no part of the claimed design.

1 Claim, 3 Drawing Sheets



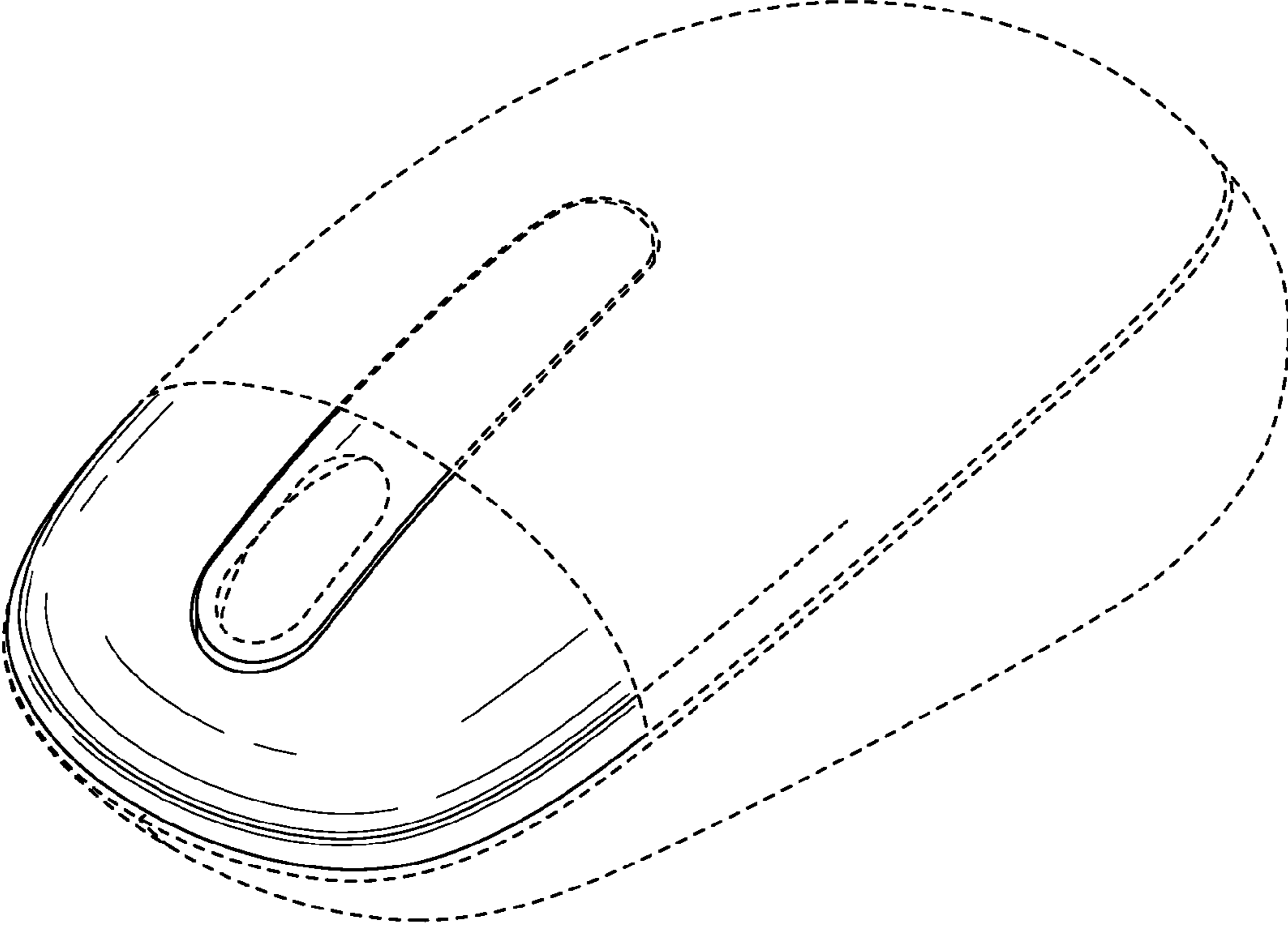


FIG. 1

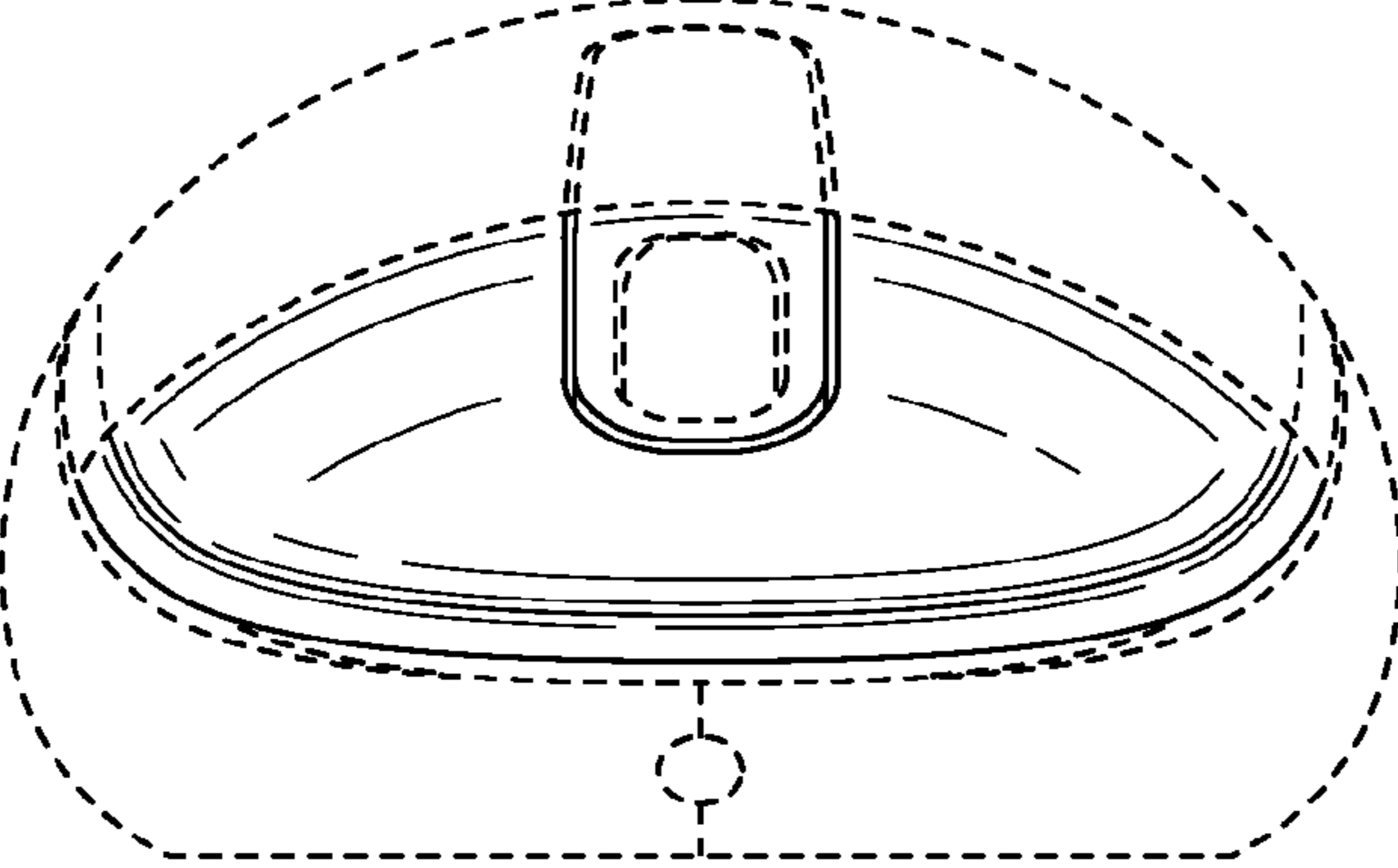


FIG. 2

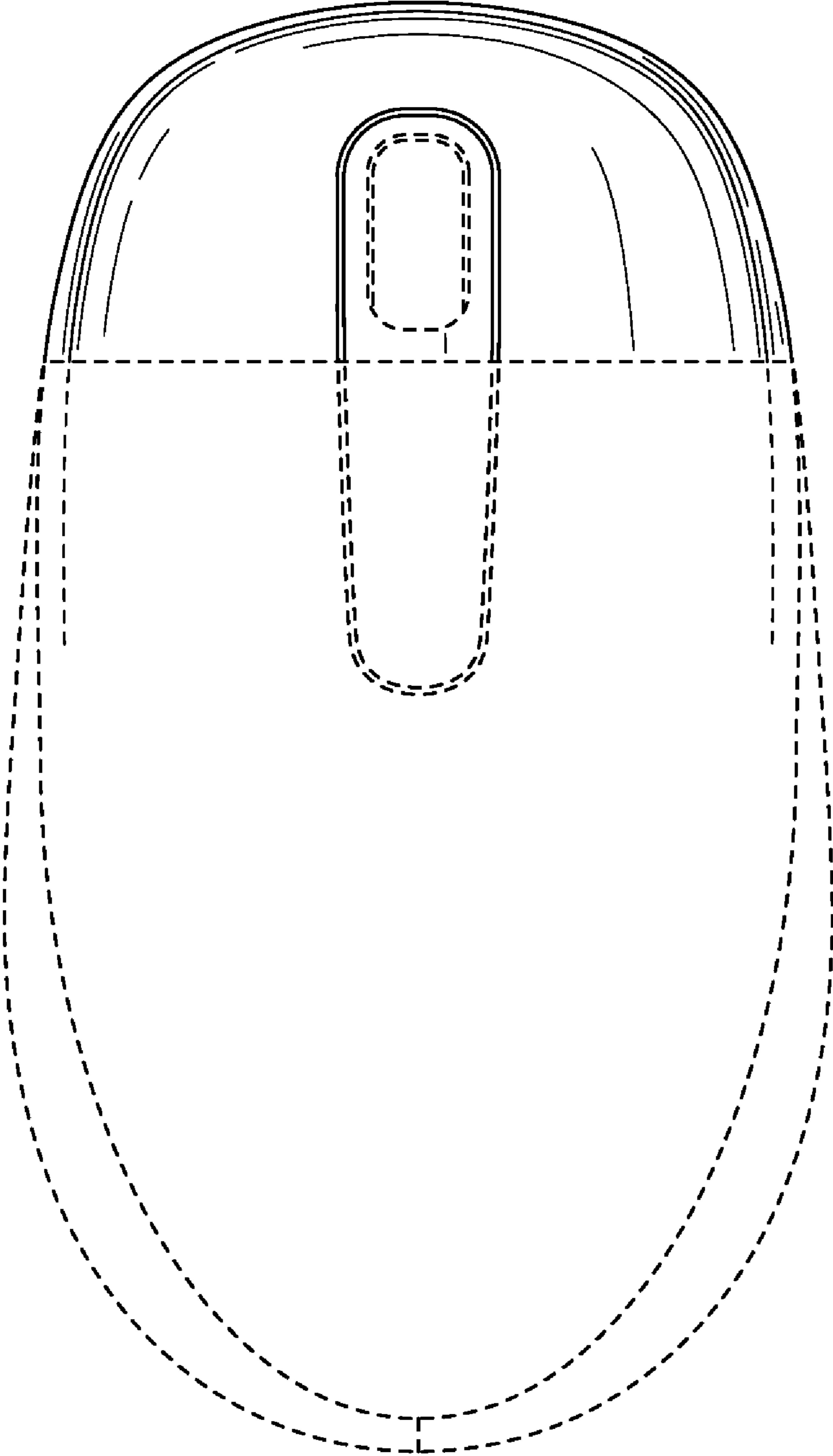


FIG. 3

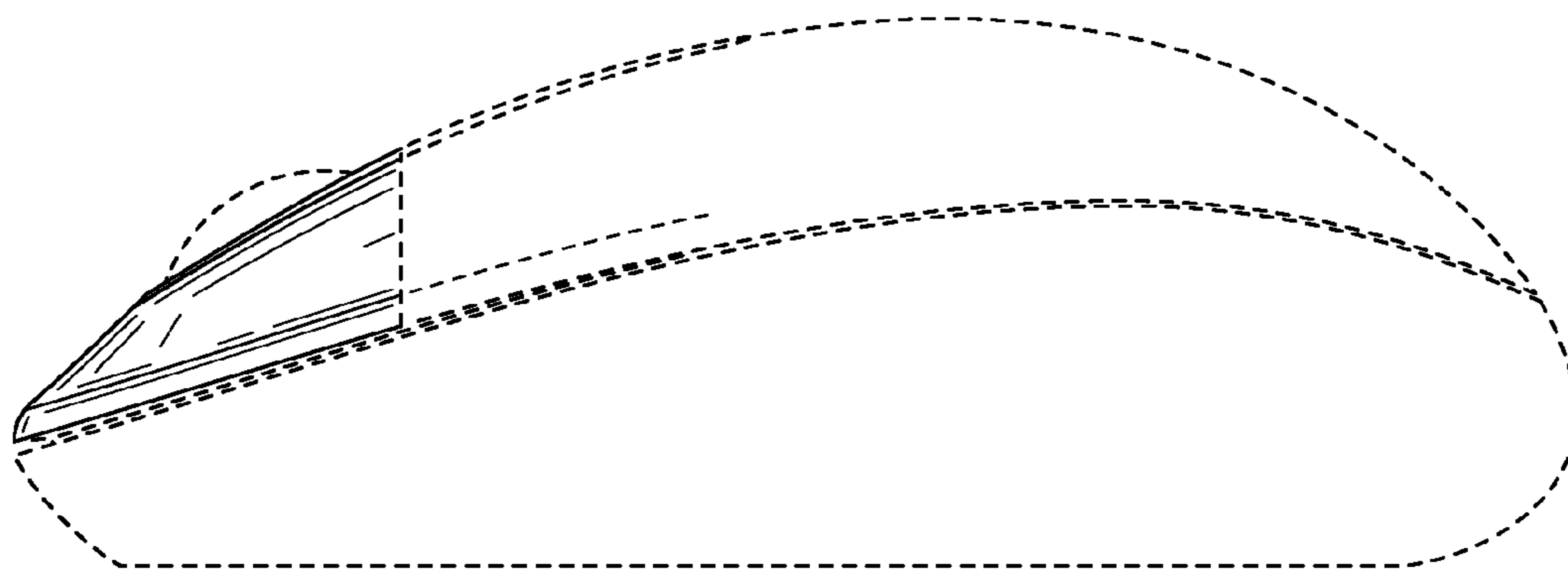


FIG. 4

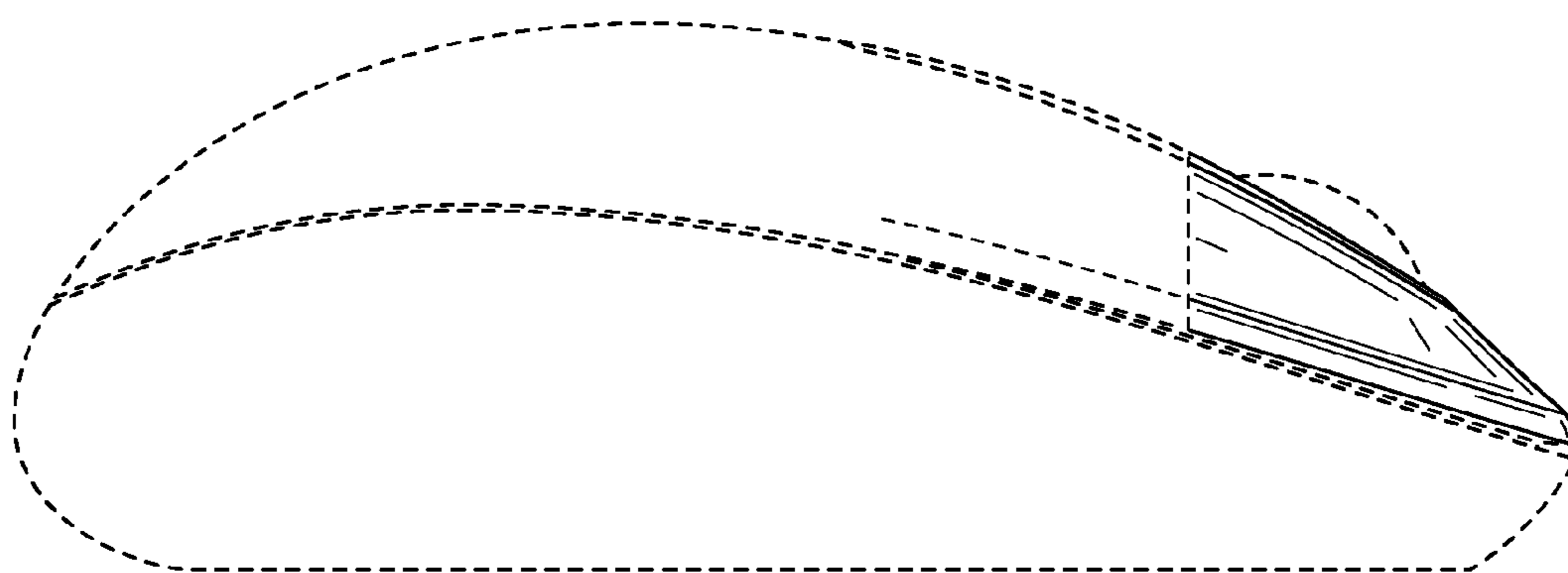


FIG. 5