



US00D638424S

(12) **United States Design Patent**
Brandis

(10) **Patent No.:** **US D638,424 S**

(45) **Date of Patent:** **** May 24, 2011**

(54) **BASE STATION**

(75) Inventor: **Michael Brandis**, Nuremberg (DE)

(73) Assignee: **Sennheiser Communications A/S**,
Solrod Strand (DK)

(**) Term: **14 Years**

(21) Appl. No.: **29/359,256**

(22) Filed: **Apr. 7, 2010**

(30) **Foreign Application Priority Data**

Oct. 8, 2009 (EM) 001620907-0001

(51) **LOC (9) Cl.** **14-02**

(52) **U.S. Cl.** **D14/358**

(58) **Field of Classification Search** D21/324,
D21/332, 333, 328; D14/356-358, 133,
D14/155; 273/148 B; 345/156, 158, 162,
345/536-540, 555, 905; 455/1, 3.01, 3.06,
455/344, 347; 725/131, 134, 133, 151

See application file for complete search history.

(56) **References Cited**

U.S. PATENT DOCUMENTS

2,070,088 A * 2/1937 Montaruli 362/86
D154,817 S * 8/1949 Steinke D14/133
3,192,313 A * 6/1965 Brownstein et al. 725/151
D209,710 S * 12/1967 Bruce D14/133
D246,291 S * 11/1977 Krolopp D10/75
D317,766 S * 6/1991 Ikeya et al. D14/167
5,262,777 A * 11/1993 Low et al. 341/20
D357,234 S * 4/1995 Yoshihara D14/358
5,952,996 A * 9/1999 Kim et al. 345/158

D487,894 S * 3/2004 Allen et al. D14/385
D491,539 S * 6/2004 Takuma D14/125
D533,553 S * 12/2006 Xu et al. D14/349
D597,535 S * 8/2009 Brennwald D14/240
D598,906 S * 8/2009 Chiba et al. D14/240
D599,344 S * 9/2009 Wang et al. D14/356
D600,287 S * 9/2009 Oikawa et al. D21/332
2001/0048422 A1 * 12/2001 Hagiwara et al. 345/156

OTHER PUBLICATIONS

External Hard Drives—Toys and Gadgets | News | Reviews | Videos,
pp. 1-2 [online] Posted on Oct. 8, 2008 [retrieved on Nov. 25, 2008].
Retrieved from the Internet <URL: <http://www.toysgadget.com/gadgets-and-toys/external-hard-drives>>.*

* cited by examiner

Primary Examiner — Cathron C Brooks

Assistant Examiner — Karen E Kearney

(74) *Attorney, Agent, or Firm* — Birch, Stewart, Kolasch &
Birch, LLP

(57) **CLAIM**

The ornamental design for a base station, as shown and
described.

DESCRIPTION

FIG. 1 is a front elevational view of the base station showing
my new design;

FIG. 2 is a first side elevational view thereof;

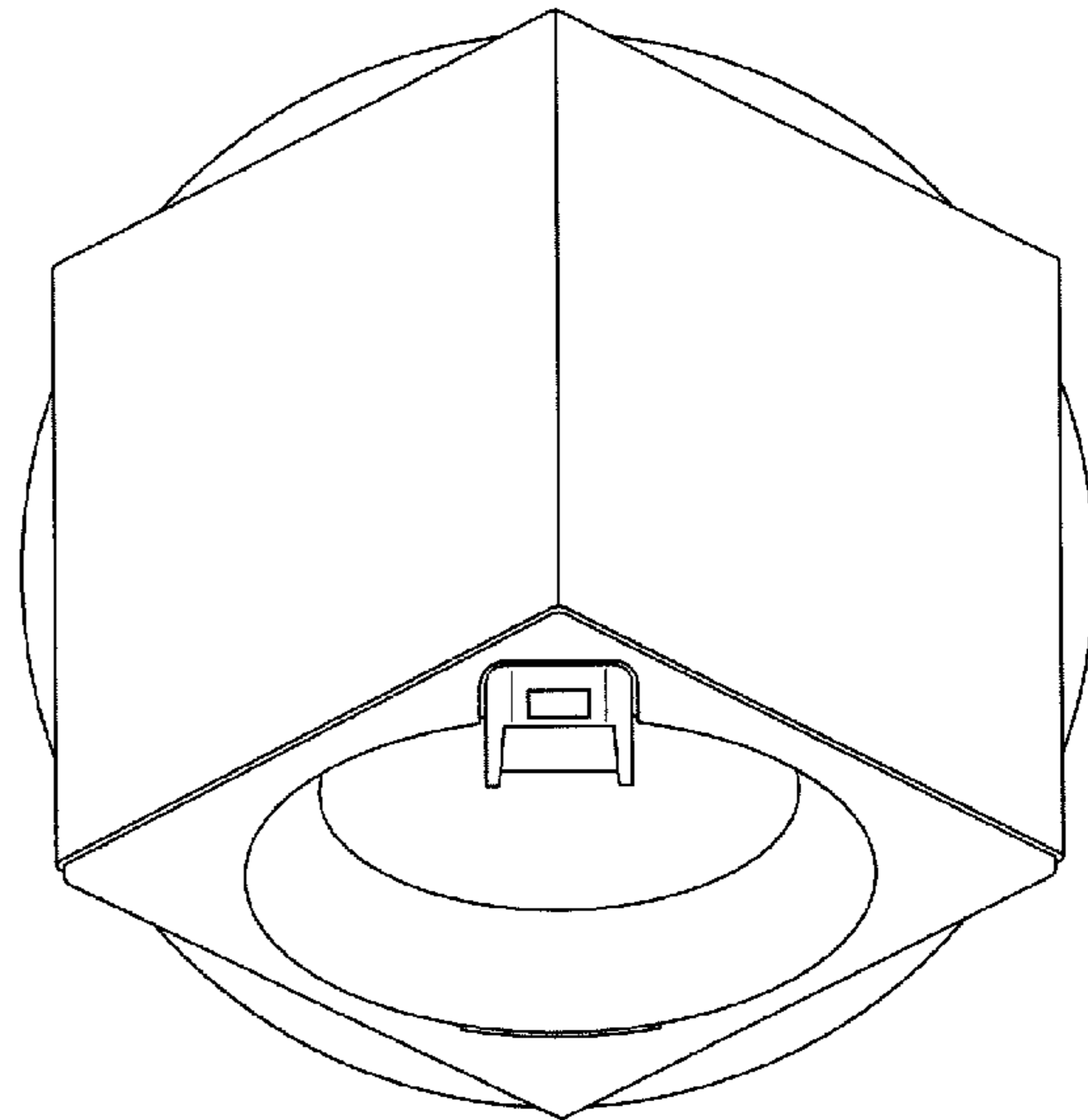
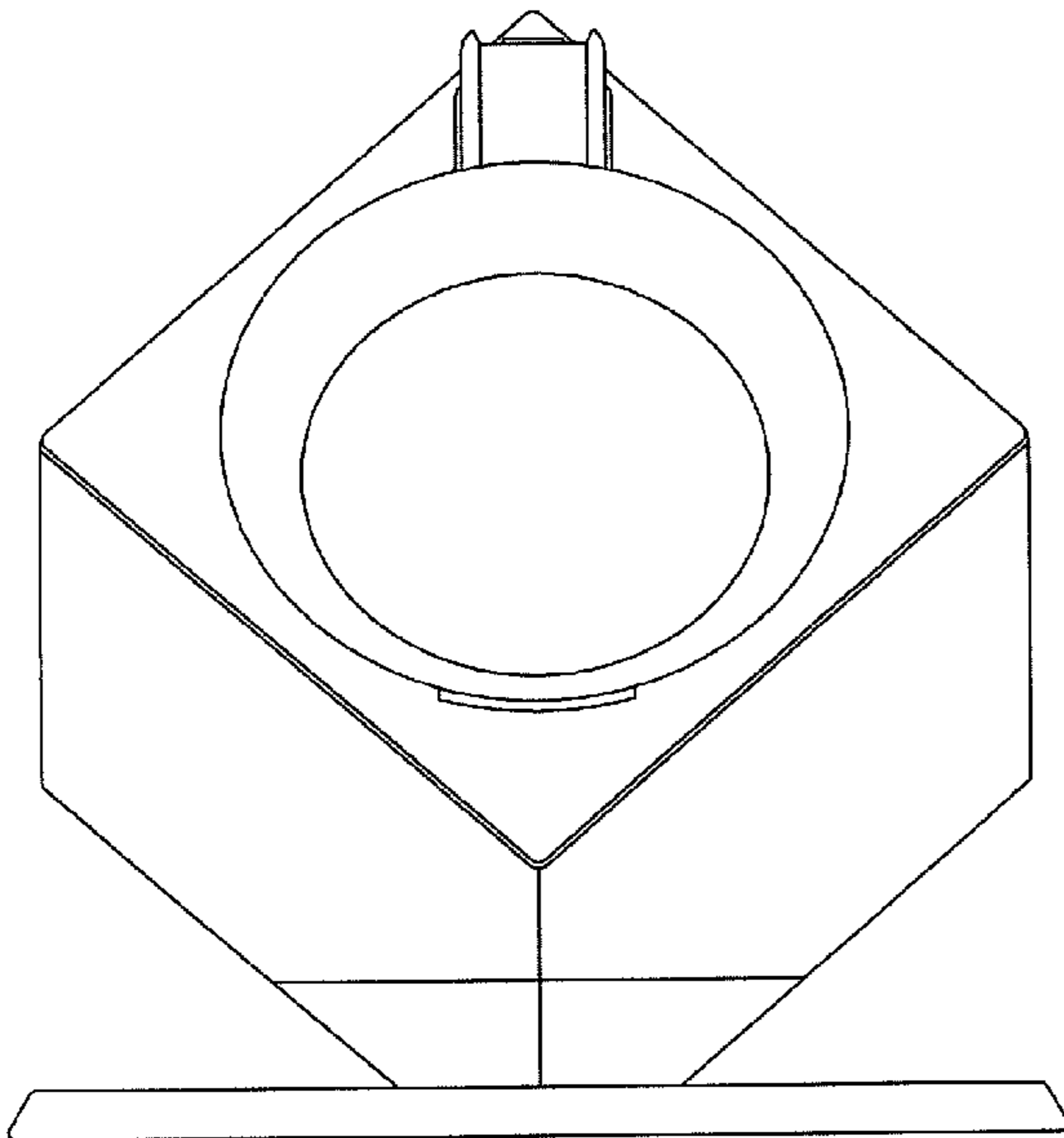
FIG. 3 is a second side elevational view thereof;

FIG. 4 is a rear elevational view thereof; and,

FIG. 5 is a top plan view thereof.

No bottom view is provided, because the design has a flat
bottom devoid of surface ornamentation.

1 Claim, 5 Drawing Sheets



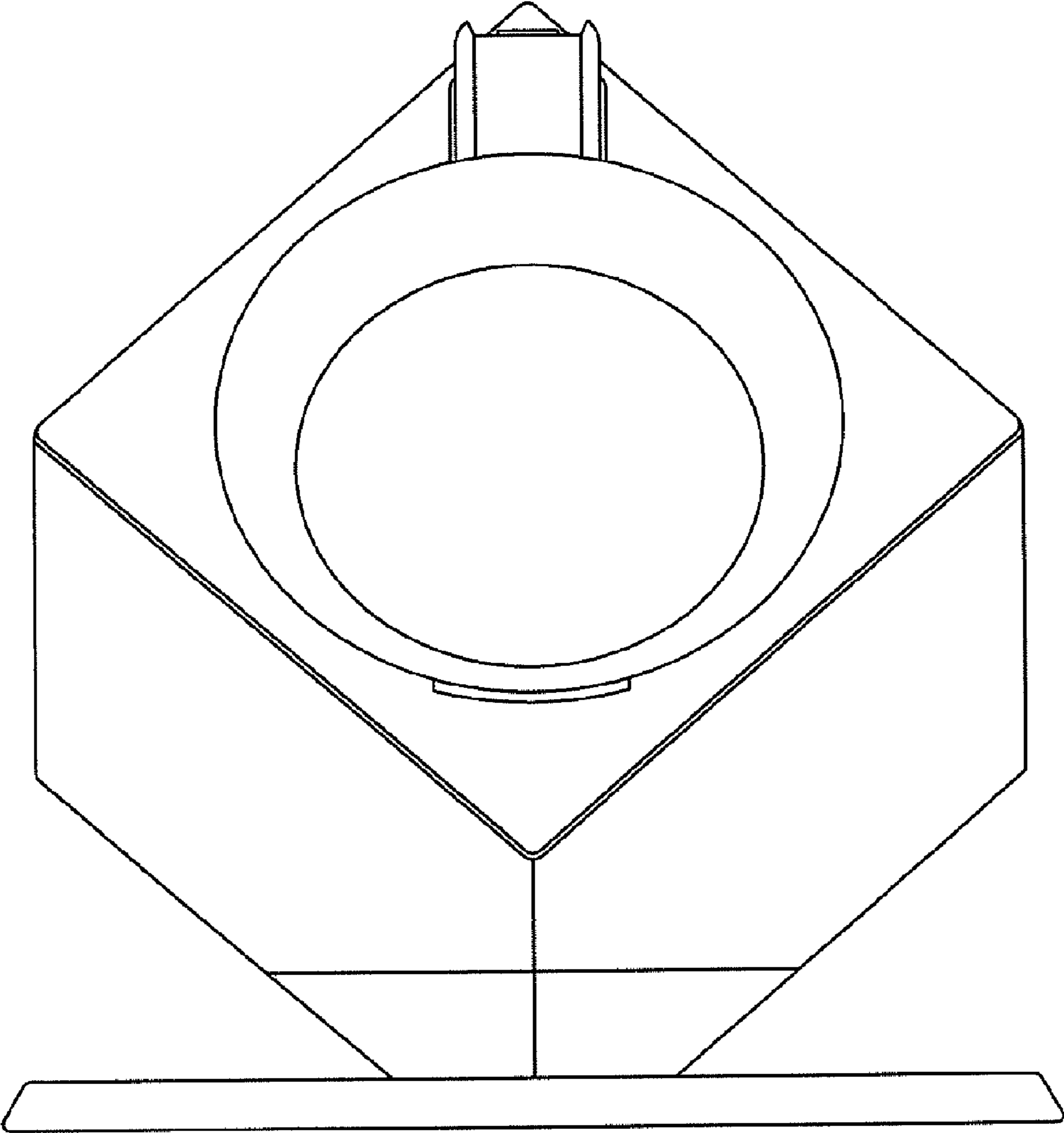


FIG. 1

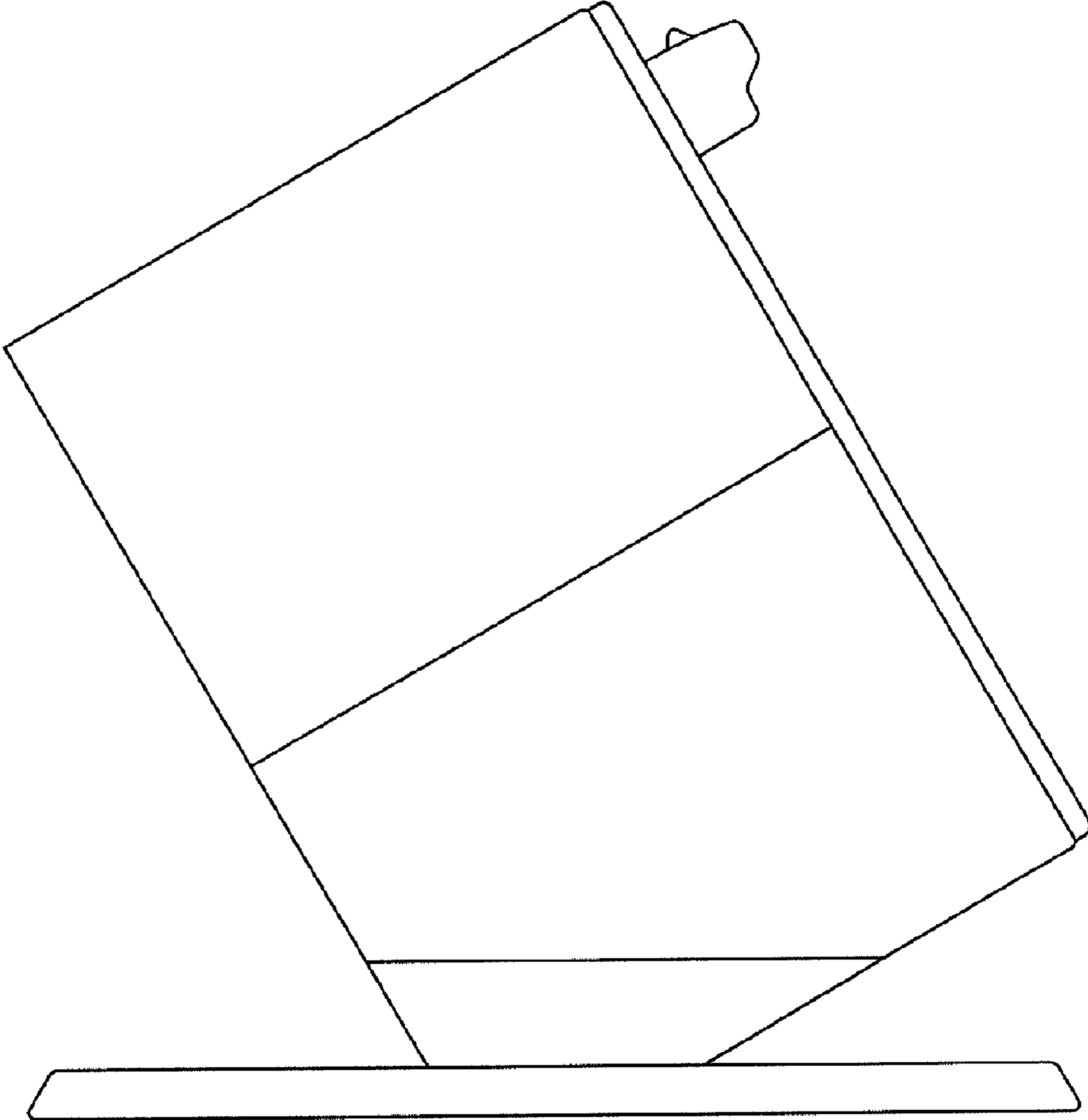


FIG.2

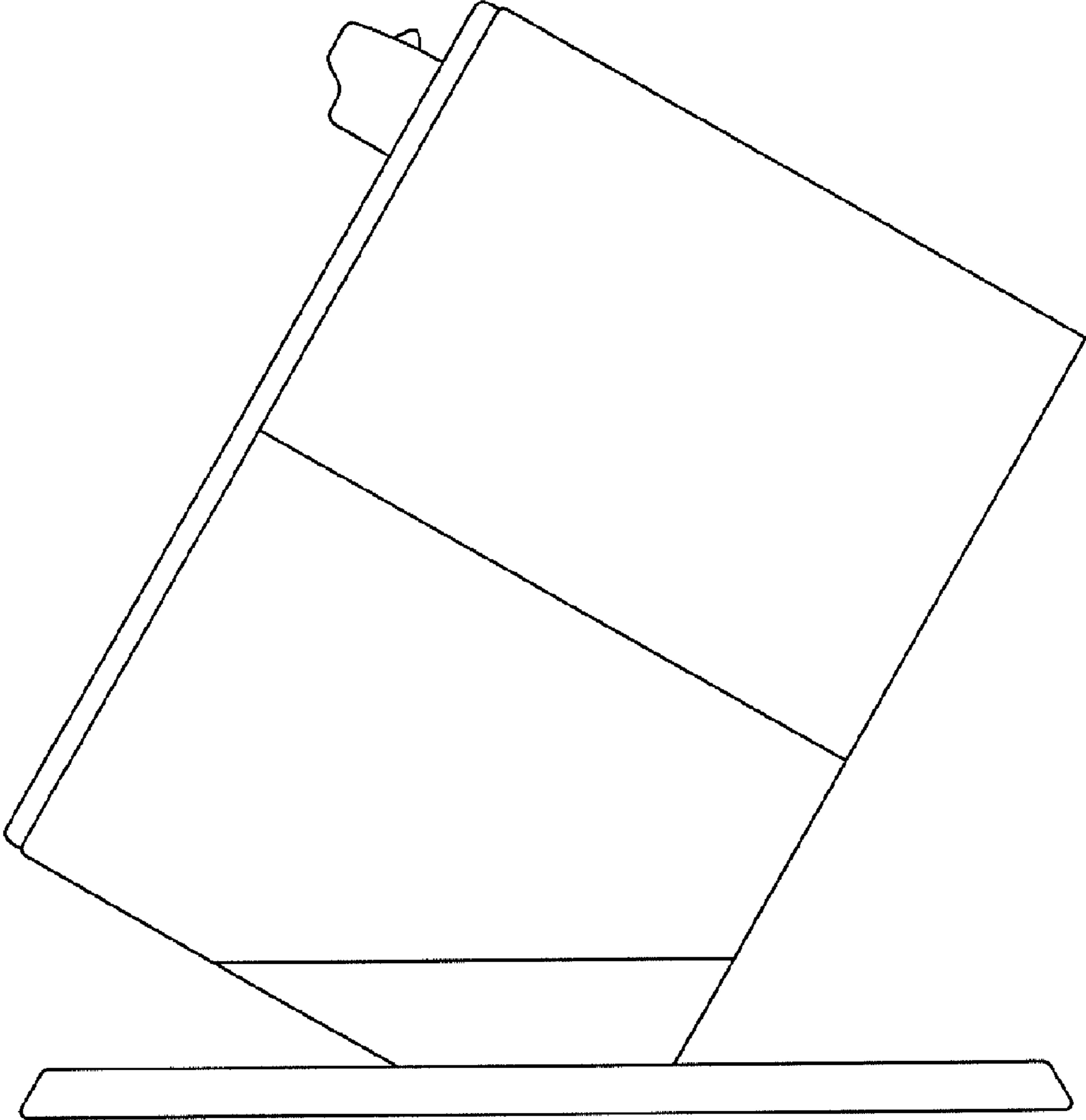


FIG.3

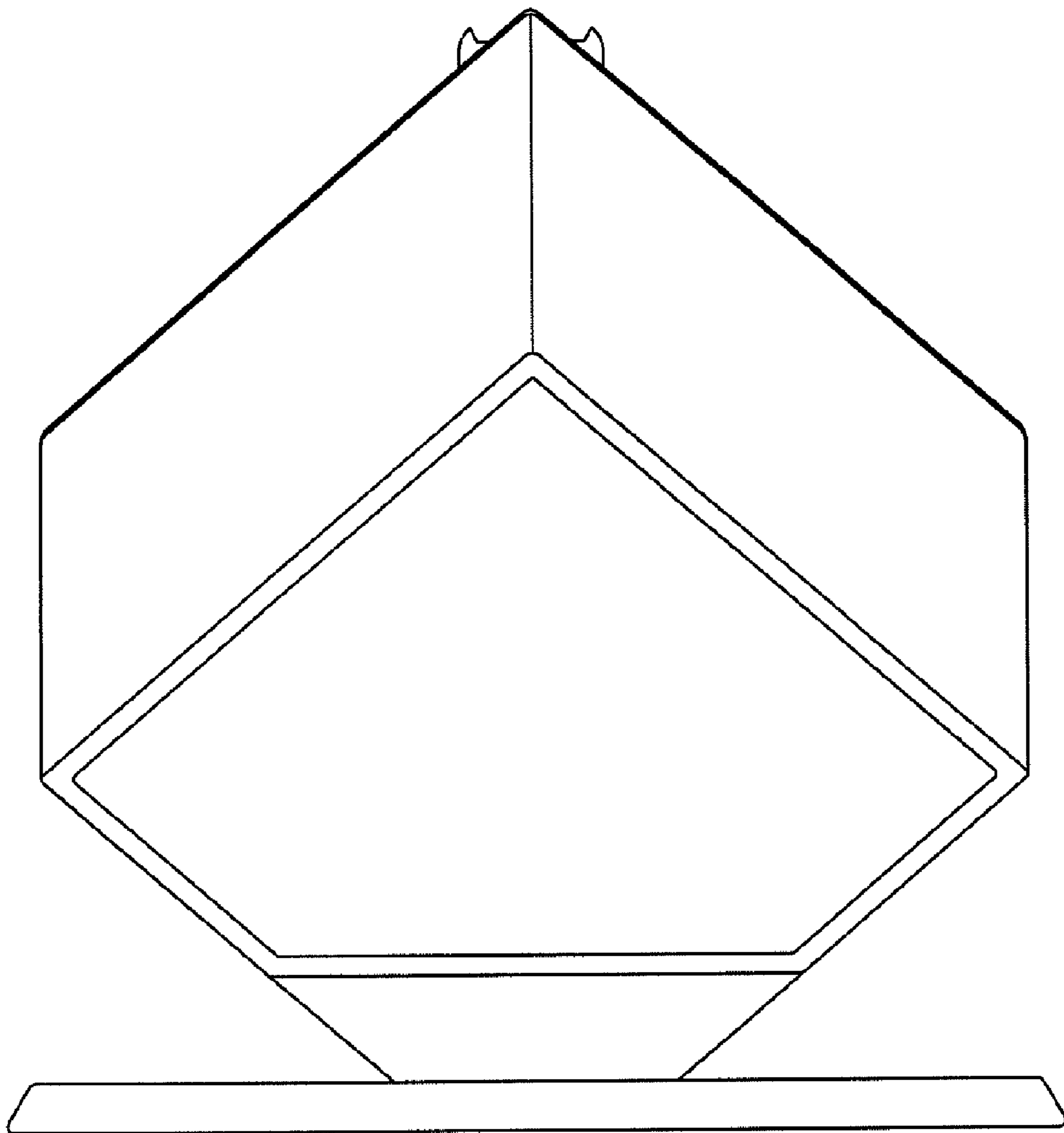


FIG.4

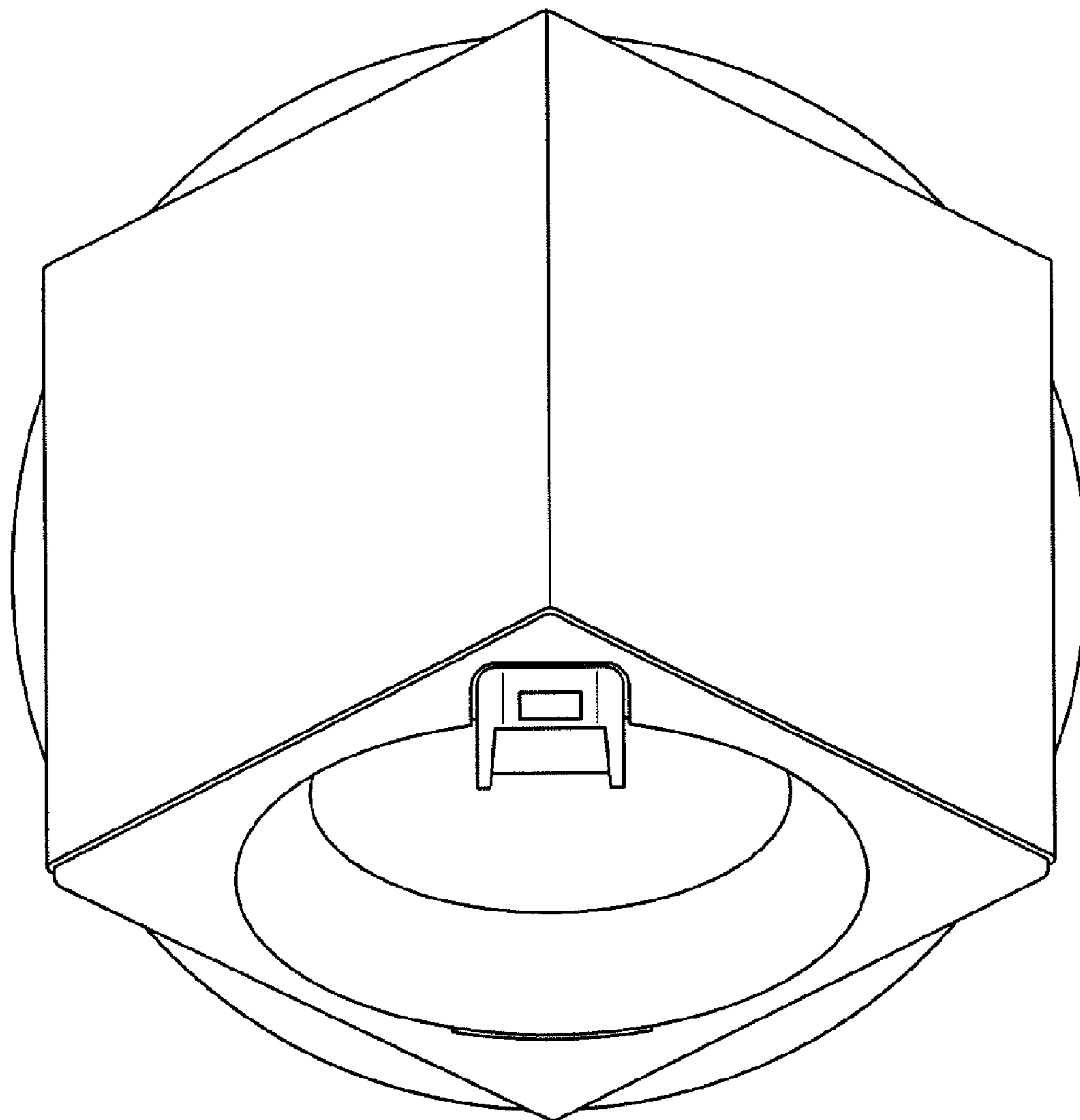


FIG.5