

US00D638422S

(12) **United States Design Patent**
Reed et al.

(10) **Patent No.:** **US D638,422 S**

(45) **Date of Patent:** **** May 24, 2011**

(54) **MOBILE COMPUTER**

(75) Inventors: **Sherri L. Reed**, Charlotte, NC (US);
Brian Vincent Conti, Matthews, NC
(US); **Timothy R. Fitch**, Syracuse, NY
(US)

(73) Assignee: **Hand Held Products, Inc.**, Skaneateles
Falls, NY (US)

(**) Term: **14 Years**

(21) Appl. No.: **29/350,737**

(22) Filed: **Nov. 23, 2009**

(51) **LOC (9) Cl.** **14-02**

(52) **U.S. Cl.** **D14/347**

(58) **Field of Classification Search** D14/341,
D14/342, 343, 344, 345, 346, 347, 426, 427,
D14/428, 430, 431, 496, 125, 126, 129, 130,
D14/137, 203.1, 203.3, 203.4, 203.5, 203.6,
D14/203.7, 138 R, 138 AA, 138 AB, 138 AC,
D14/138 C, 138 AD, 138 G; D21/324, 329,
D21/330, 331, 333; D18/7; D10/65; 455/556.1,
455/556.2, 575.4, 575.1; 345/901; 361/679.55,
361/679.56; 348/552; 379/428.01, 433.04,
379/433.12, 908, 910, 916; 235/462.43,
235/462.45, 472.01

See application file for complete search history.

(56) **References Cited**

U.S. PATENT DOCUMENTS

D248,946 S	8/1978	Koenig
D258,956 S	4/1981	Chadima, Jr.
4,801,786 A	1/1989	Stobbe
D302,265 S	7/1989	Siegner et al.
D340,034 S	10/1993	Hofstetter et al.
D341,584 S	11/1993	Shepard et al.
D355,904 S	2/1995	Swartz et al.
5,410,141 A	4/1995	Koenck et al.
D366,044 S	1/1996	Hara et al.
D386,152 S	11/1997	Warneke
D391,234 S	2/1998	Chacon et al.
D392,282 S	3/1998	Ahearn et al.
D398,002 S	9/1998	Chacon et al.

5,801,918 A	9/1998	Ahearn et al.	
D400,872 S	11/1998	Ahearn et al.	
D405,075 S	2/1999	Ahearn et al.	
D405,076 S	2/1999	Ahearn et al.	
D414,760 S *	10/1999	Hetfield et al.	D14/426
D417,445 S	12/1999	Chacon et al.	
D430,159 S *	8/2000	Bhatia et al.	D14/341
D431,562 S	10/2000	Bhatia et al.	

(Continued)

OTHER PUBLICATIONS

U.S. Appl. No. 29/248,008, filed Jul. 25, 2006, Dorr et al.

(Continued)

Primary Examiner — Angela J Lee

(74) Attorney, Agent, or Firm — Hiscock & Barclay, LLP

(57) **CLAIM**

The ornamental design for a mobile computer, as shown and described.

DESCRIPTION

FIG. 1 is a perspective view of the top side of a mobile computer;

FIG. 2 is a perspective view of the bottom side of the mobile computer shown in FIG. 1;

FIG. 3 is another perspective view of the bottom side of the mobile computer shown in FIG. 1;

FIG. 4 is a front view of the mobile computer shown in FIG. 1;

FIG. 5 is rear view of the mobile computer shown in FIG. 1; Fig. 6 is a bottom side view of the mobile computer shown in Fig. 1;

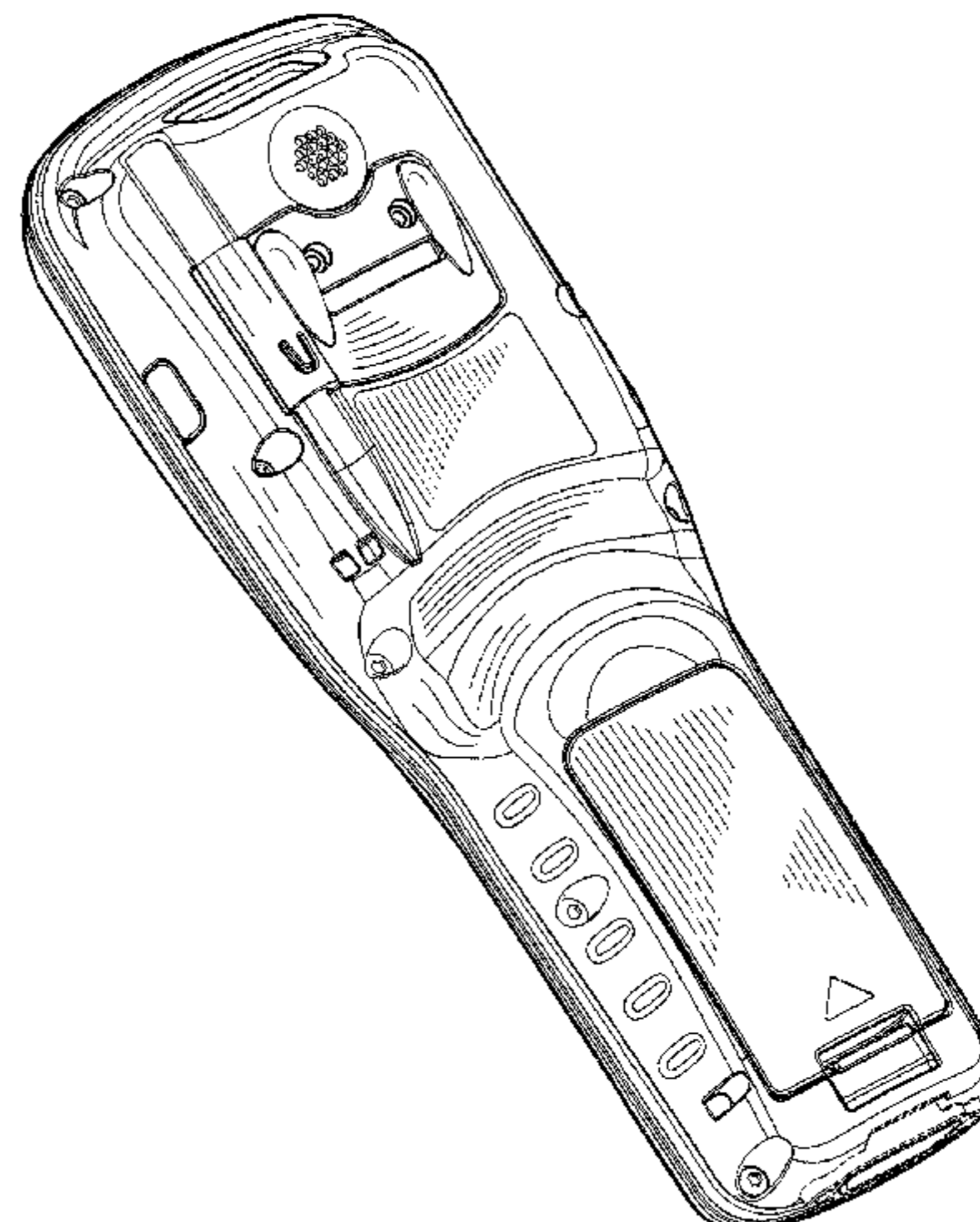
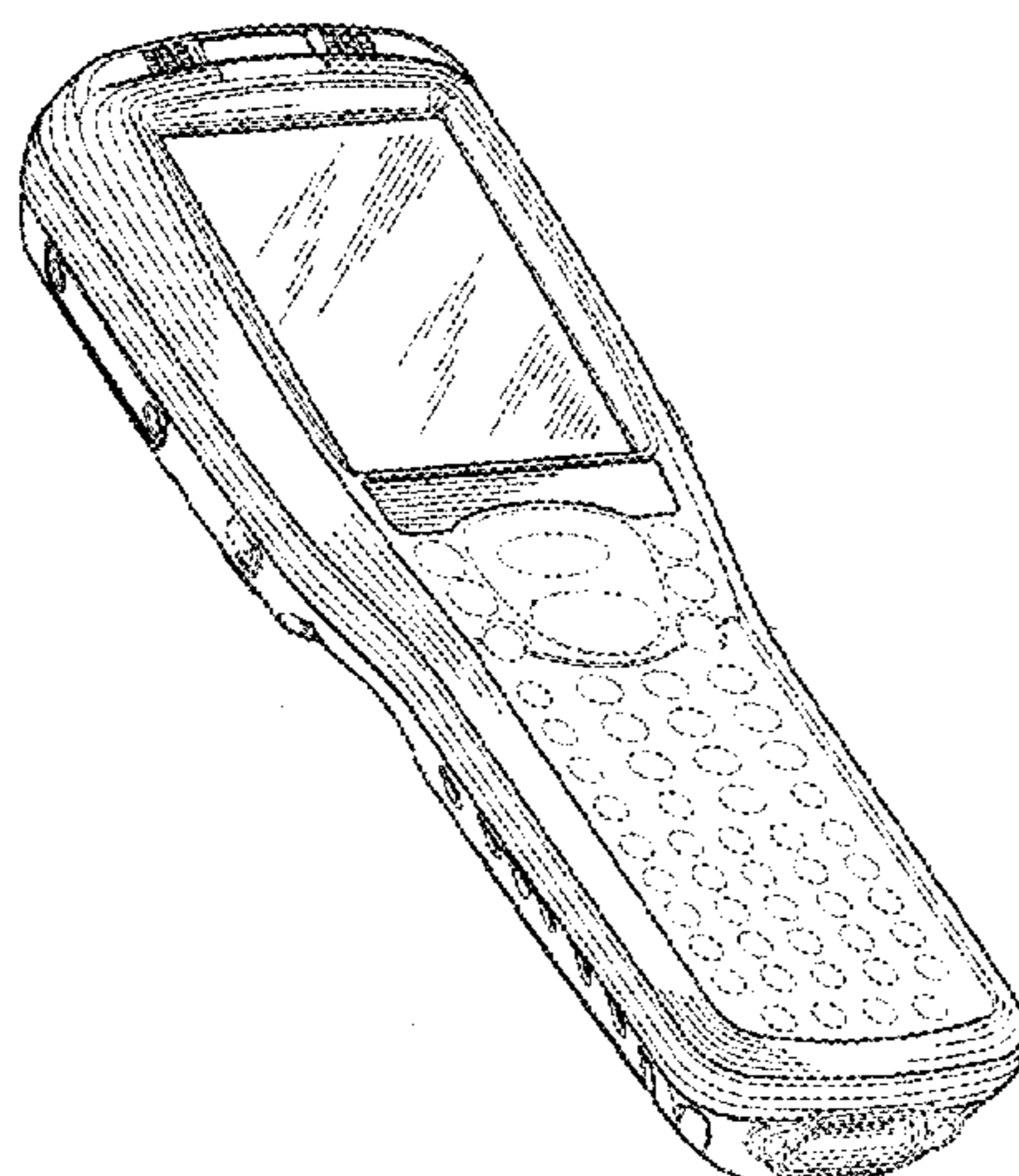
Fig. 7 is a top side view of the mobile computer shown in Fig. 1;

Fig. 8 is a left side view of the mobile computer shown in Fig. 1; and,

Fig. 9 is a right side view of the mobile computer shown in Fig. 1.

The broken line showing of unclaimed portions of the mobile computer forms no part of the claimed design.

1 Claim, 7 Drawing Sheets



US D638,422 S

Page 2

U.S. PATENT DOCUMENTS

D439,898 S *	4/2001	Ober et al.	D14/347	D599,798 S *	9/2009	Fitch et al.	D14/426
D463,425 S	9/2002	Jenkins		D611,943 S *	3/2010	Boyd	D14/346
D476,330 S	6/2003	Ahearn		D614,626 S *	4/2010	Dai et al.	D14/426
D492,681 S	7/2004	Ahearn et al.		2009/0168337 A1 *	7/2009	Conti et al.	361/679.56
D494,593 S	8/2004	Wulff et al.		2009/0270136 A1 *	10/2009	Su et al.	455/572
D505,423 S	5/2005	Ahearn et al.					
6,920,343 B2 *	7/2005	Uemura et al.	455/575.1				
D557,696 S	12/2007	Conti et al.					
7,446,753 B2 *	11/2008	Fitch et al.	345/156				

OTHER PUBLICATIONS

U.S. Appl. No. 29/248,469, filed Aug. 17, 2006, Fitch et al.

* cited by examiner

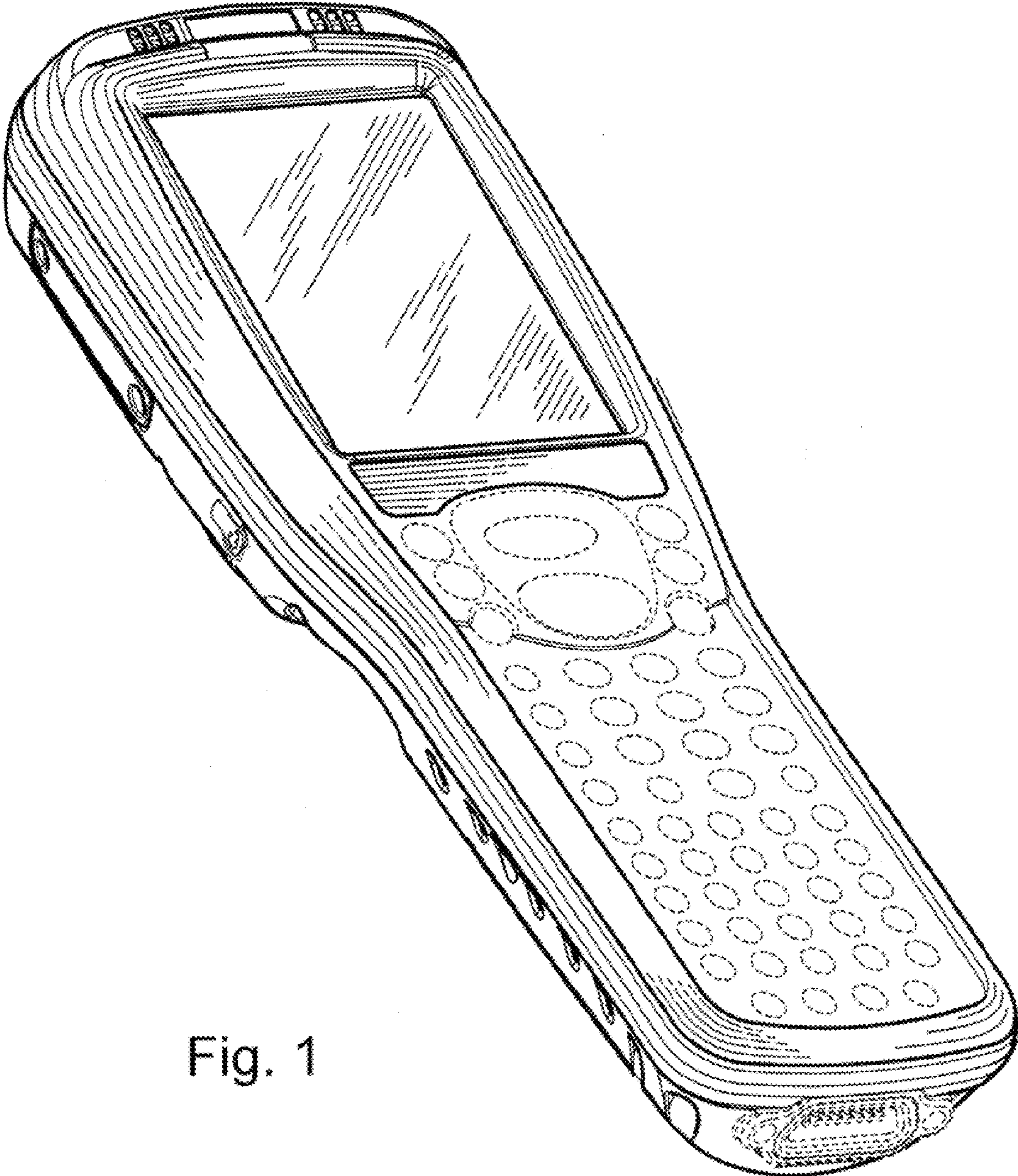


Fig. 1

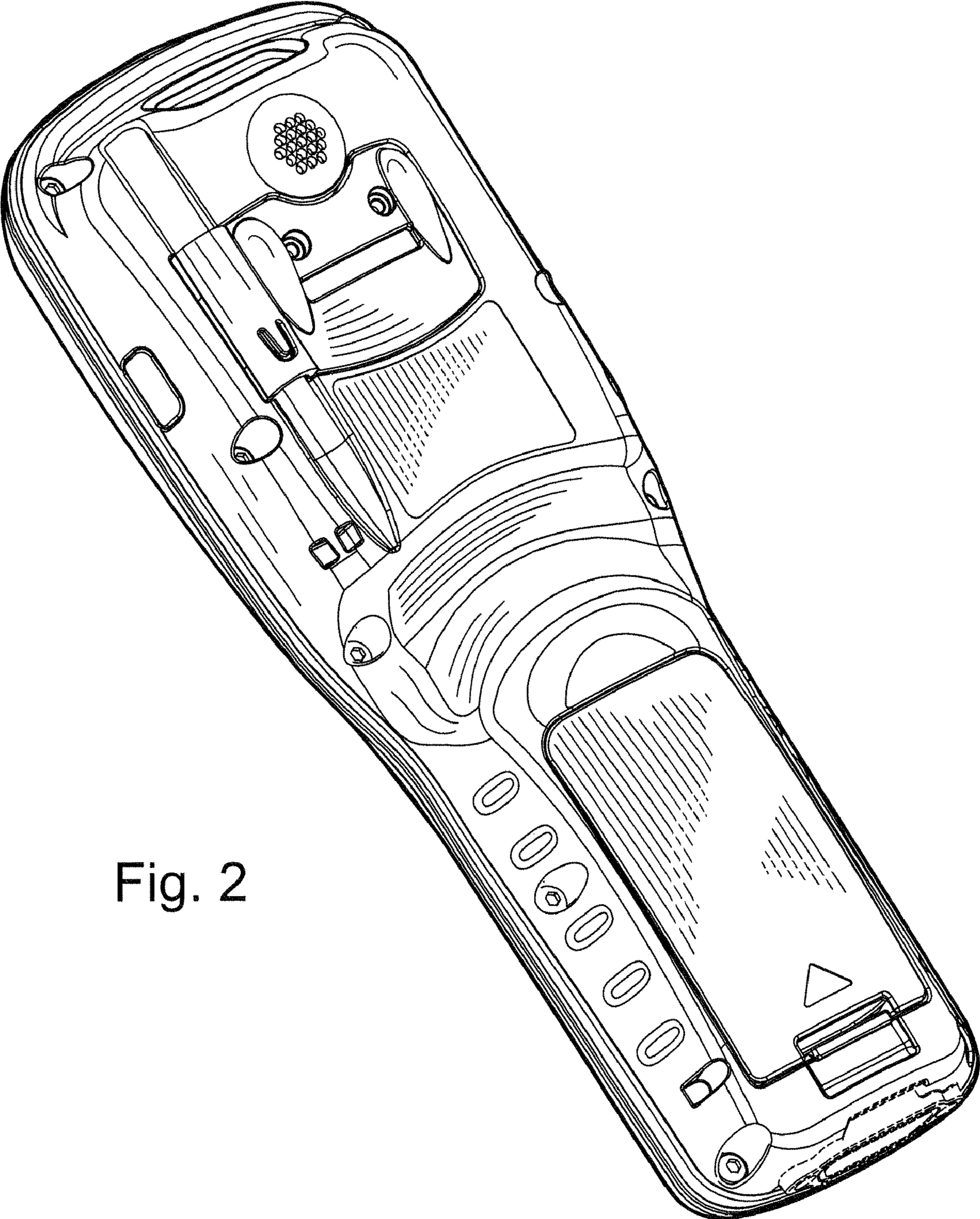


Fig. 2

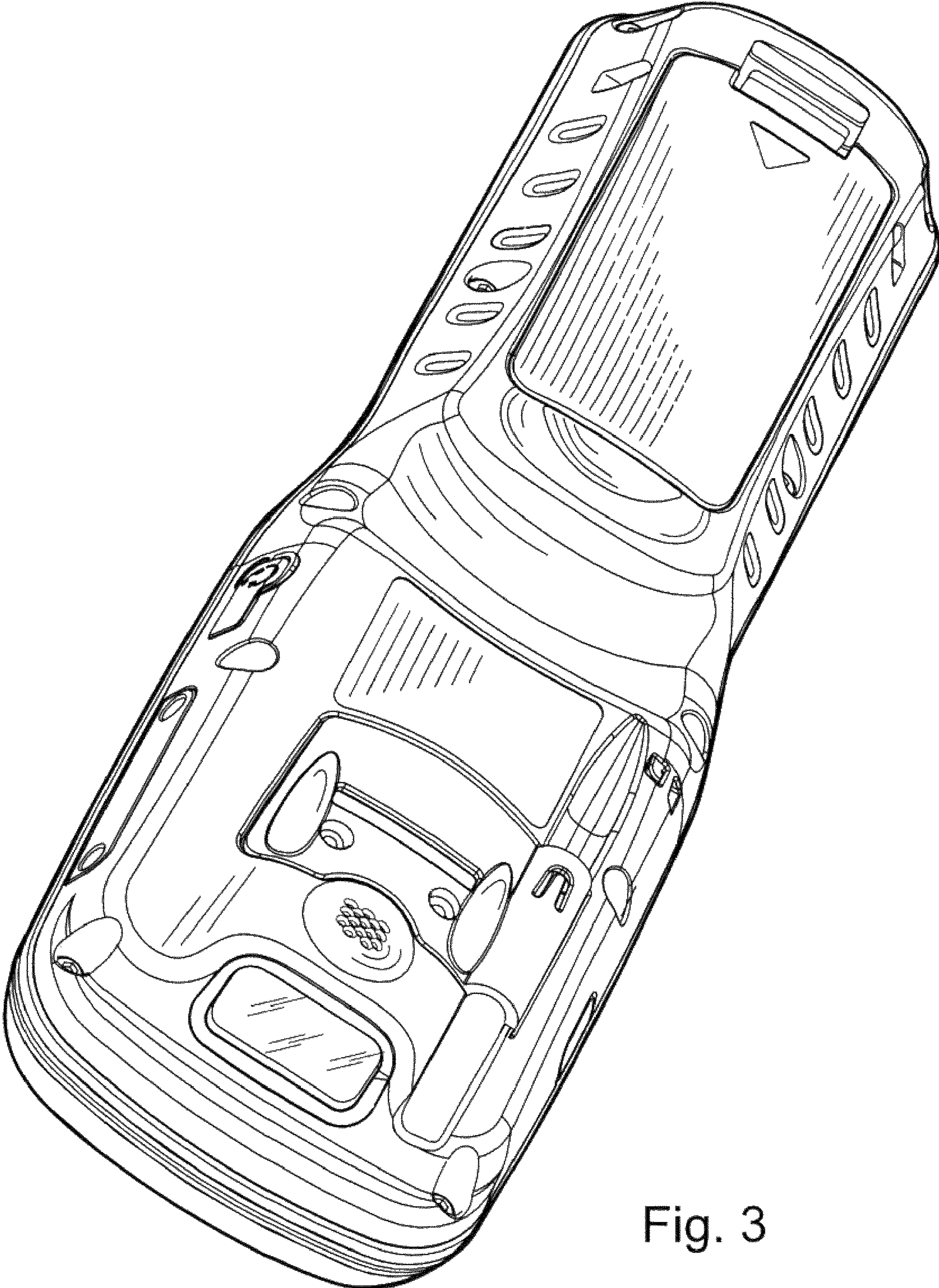


Fig. 3

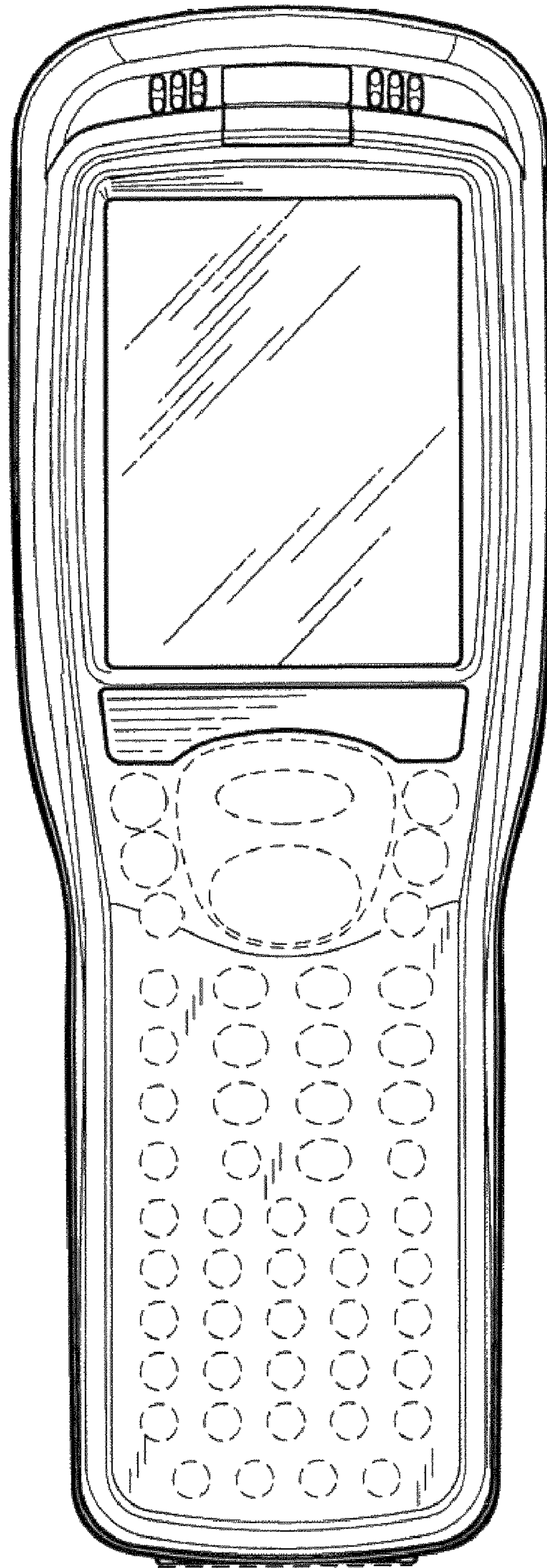


Fig. 4

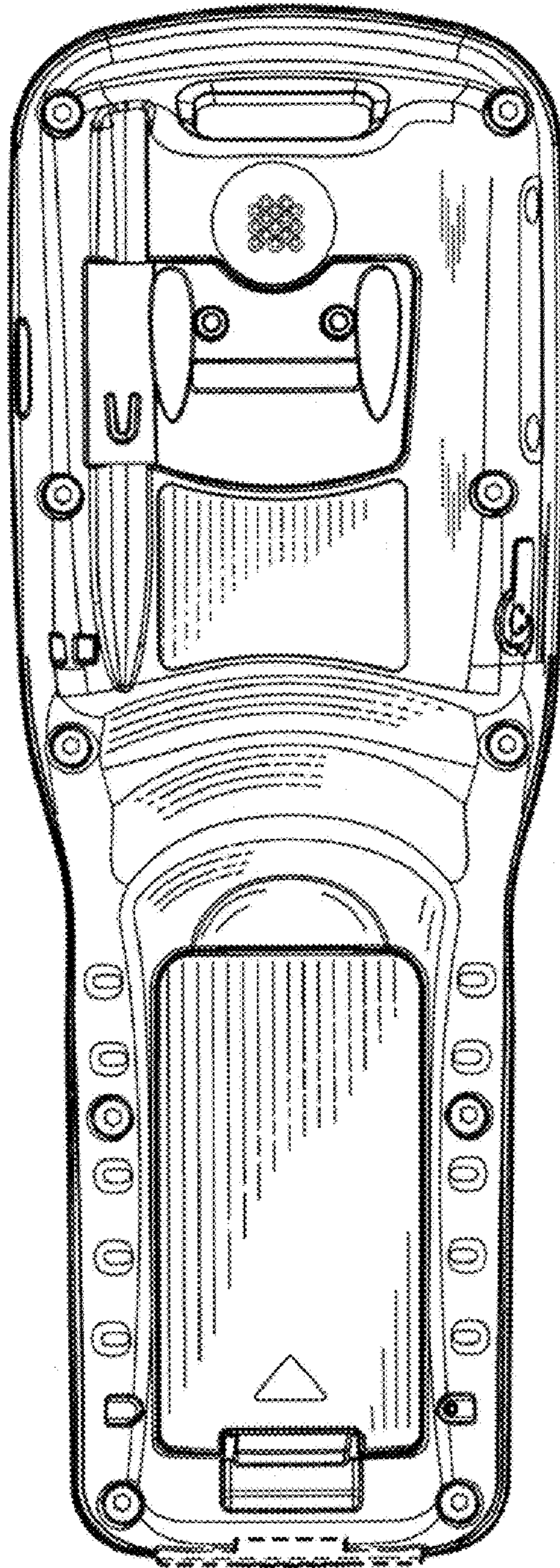


Fig. 5

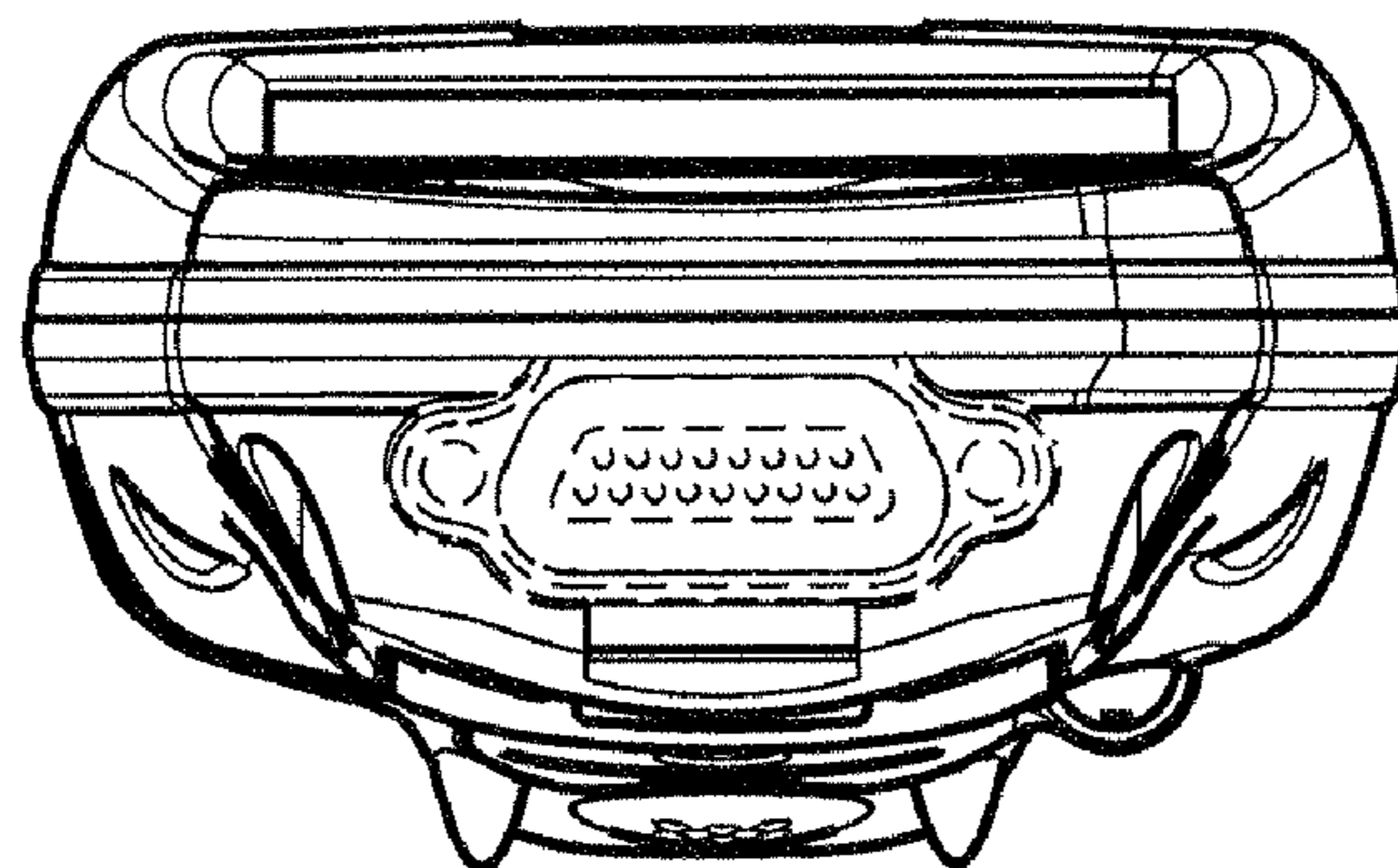


Fig. 6

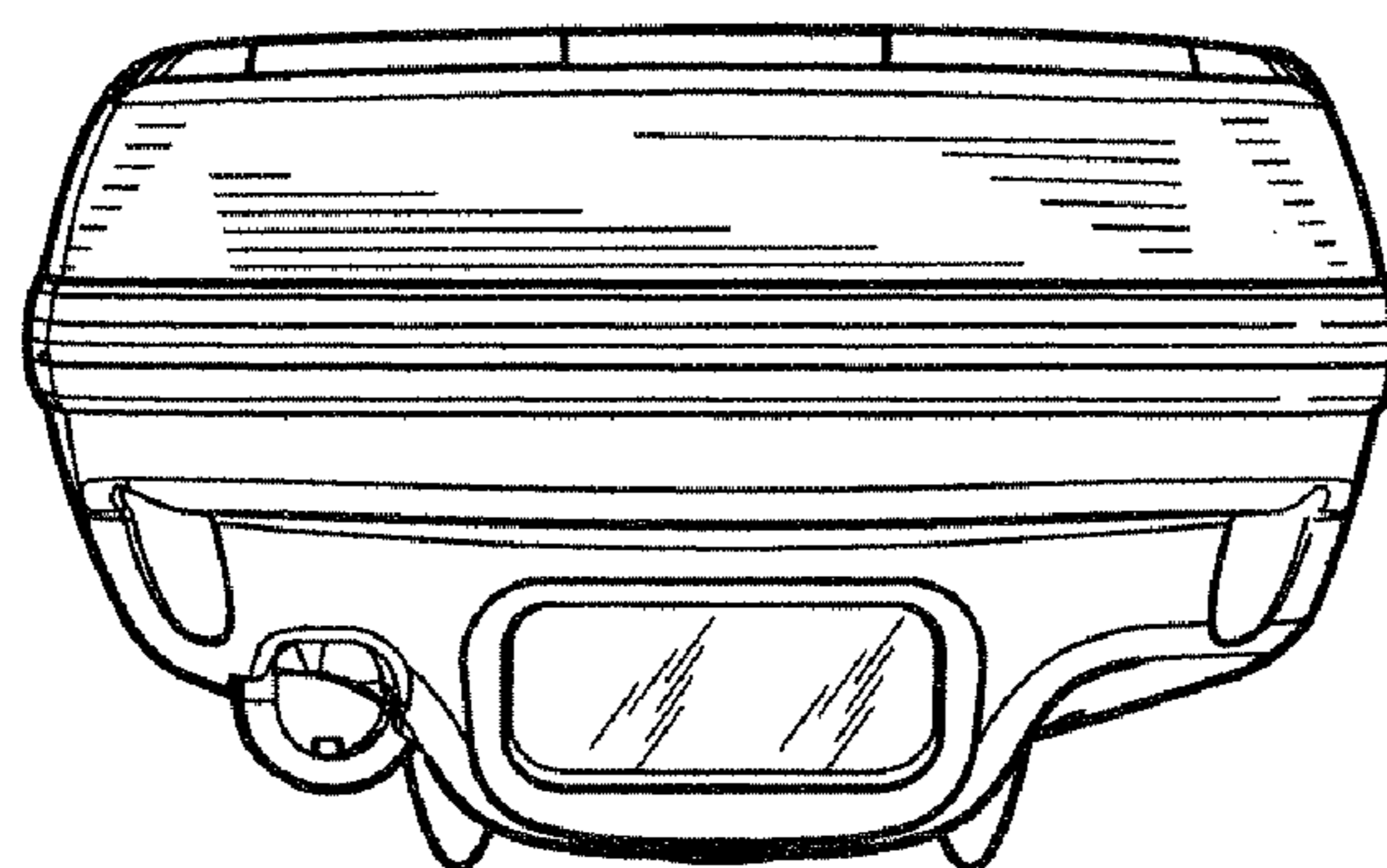


Fig. 7

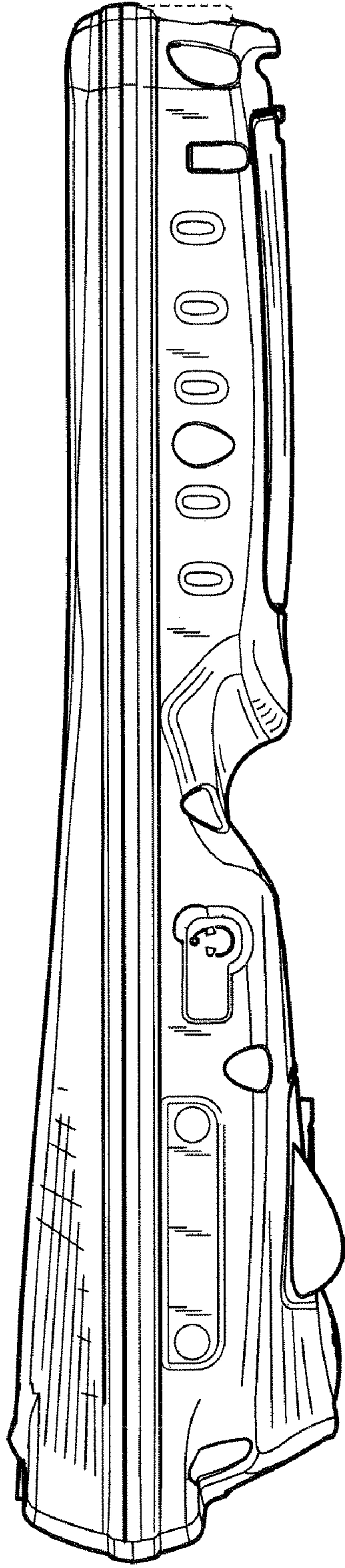


Fig. 8

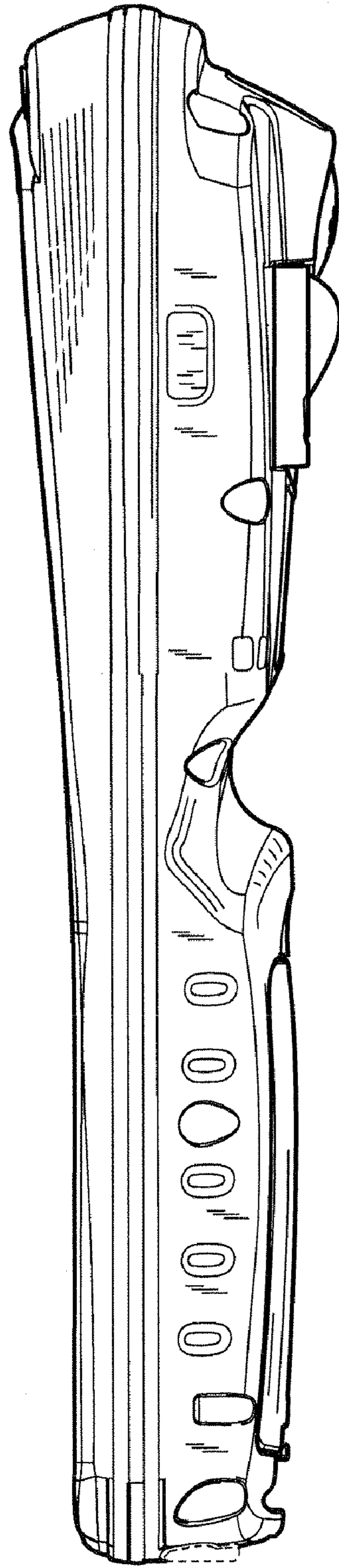


Fig. 9