



US00D638415S

(12) **United States Design Patent**
Yokoyama

(10) **Patent No.:** **US D638,415 S**

(45) **Date of Patent:** **** May 24, 2011**

(54) **AUDIO PLAYER**

(75) Inventor: **Hiroaki Yokoyama**, Tokyo (JP)

(73) Assignee: **Sony Corporation**, Tokyo (JP)

(**) Term: **14 Years**

(21) Appl. No.: **29/347,556**

(22) Filed: **Mar. 3, 2010**

(30) **Foreign Application Priority Data**

Jan. 5, 2010 (CN) 2010 3 0002011

(51) **LOC (9) Cl.** **14-01**

(52) **U.S. Cl.** **D14/258**

(58) **Field of Classification Search** D14/496,
D14/498-505, 511, 157, 167-168, 188, 197-198,
D14/257-258; 360/99.02, 99.07; 369/75.11,
369/75.21, 77.11, 77.21; 720/601, 612, 619,
720/649, 655; 455/344, 347-351

See application file for complete search history.

(56) **References Cited**

U.S. PATENT DOCUMENTS

D534,887 S * 1/2007 Endo et al. D14/505
D538,778 S 3/2007 Shiono

D543,964 S 6/2007 Shiono
D556,184 S 11/2007 Uehara et al.
D563,922 S 3/2008 Shiono
D565,043 S 3/2008 Shiono
D568,847 S 5/2008 Shiono
D575,254 S 8/2008 Shiono
D585,403 S 1/2009 Wada
D585,420 S 1/2009 Suzuki
D587,674 S 3/2009 Uehara et al.
D588,083 S 3/2009 Suzuki et al.
D595,685 S * 7/2009 Iwamoto D14/157
D610,162 S 2/2010 Shiono et al.

* cited by examiner

Primary Examiner — Nanda Bondade

(74) *Attorney, Agent, or Firm* — Rader, Fishman & Grauer PLLC

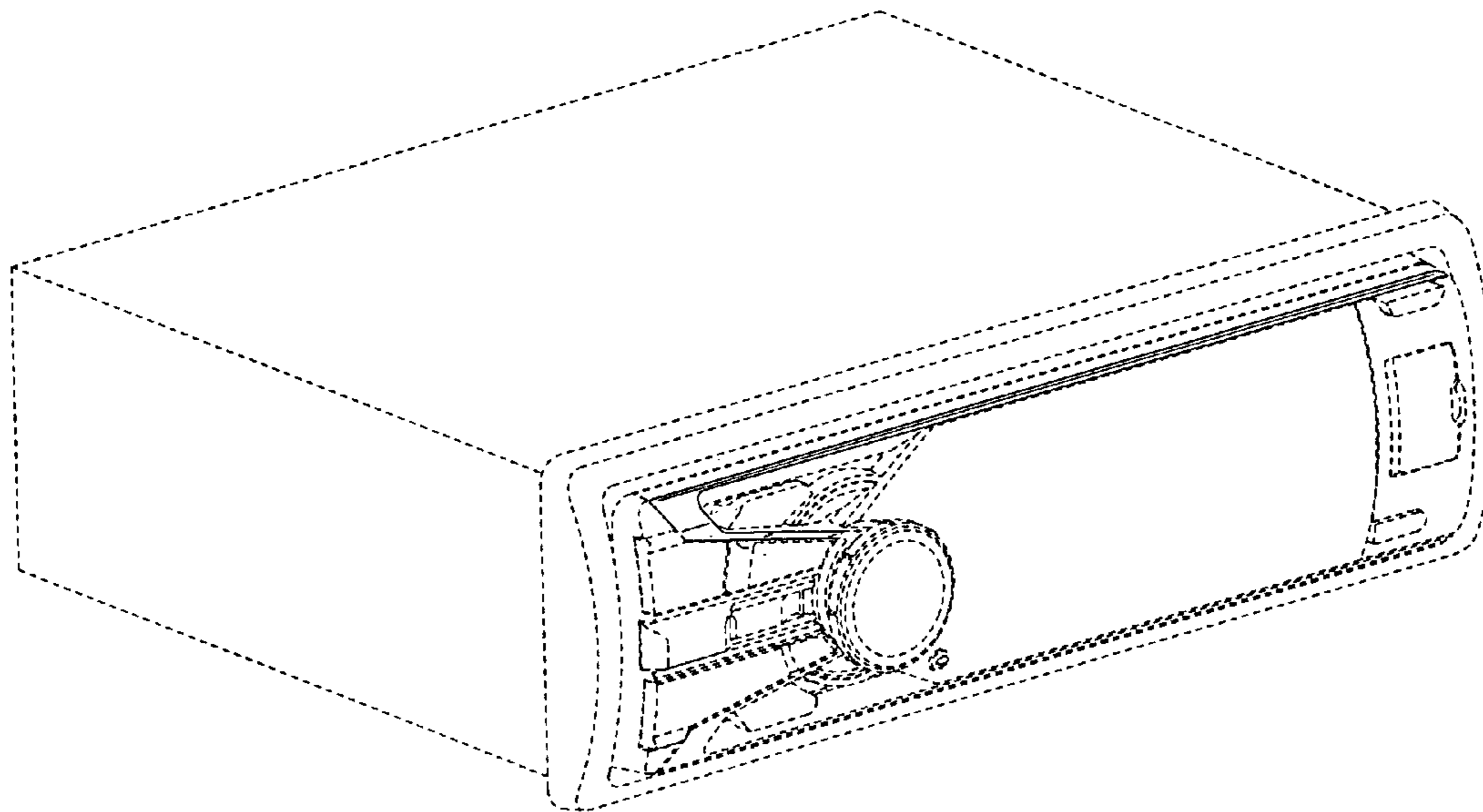
(57) **CLAIM**

The ornamental design for an audio player, as shown and described.

DESCRIPTION

FIG. 1 is a perspective view of an embodiment of an audio player showing my new design; FIG. 2 is a front elevational view thereof; and, FIG. 3 is a top plan view thereof. Portions in broken lines are for illustrative purpose only and form no part of the claimed design.

1 Claim, 3 Drawing Sheets



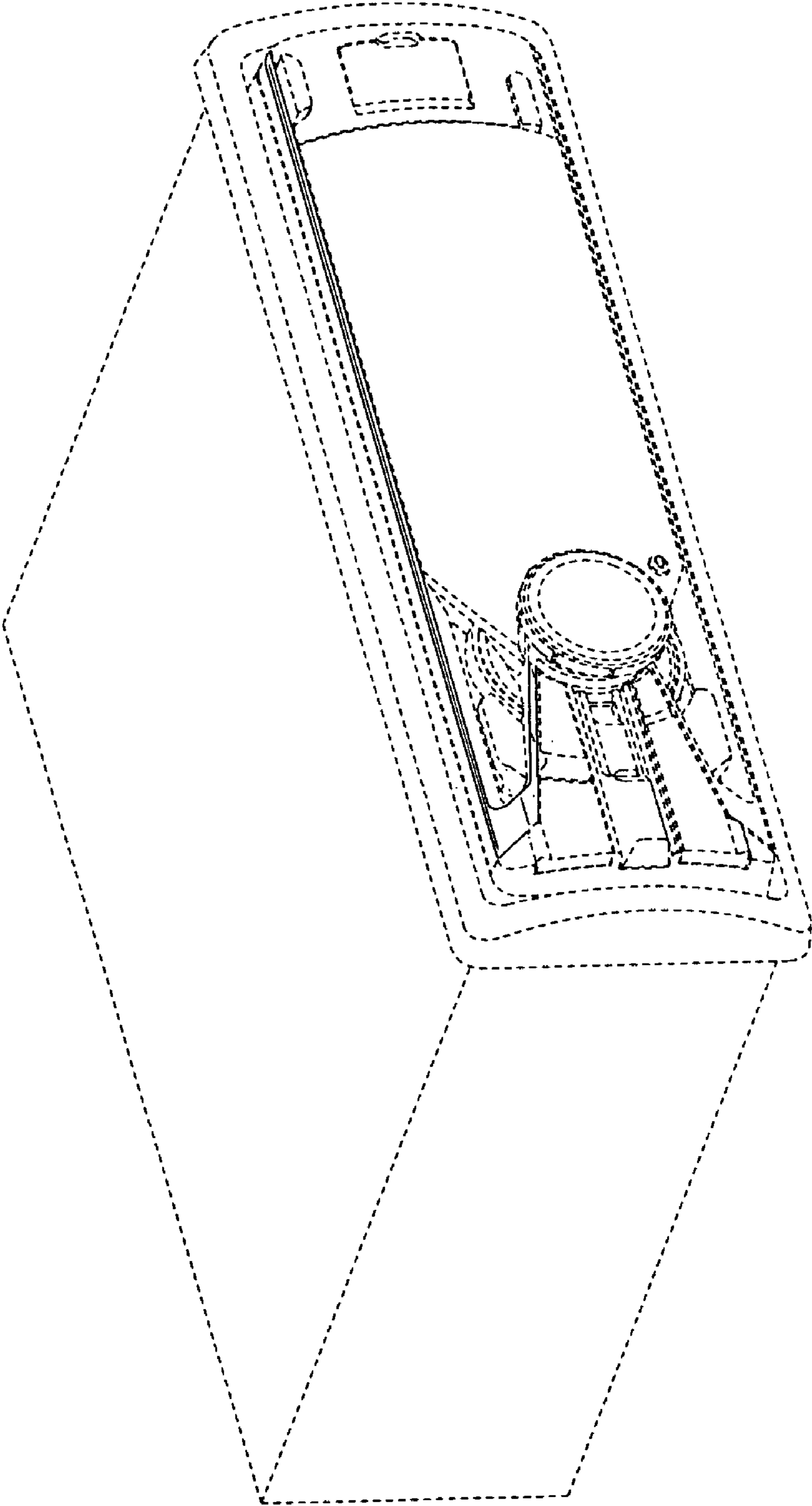


FIG. 1

FIG.2

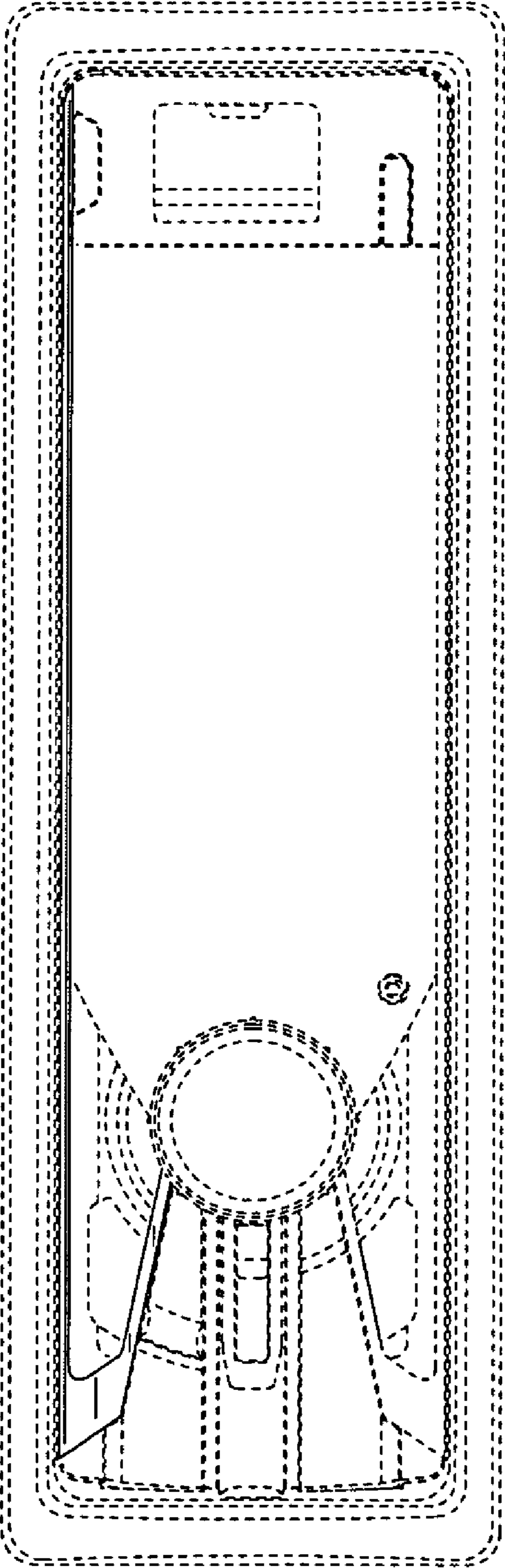


FIG.3

