



US00D638408S

(12) **United States Design Patent**
Kallmér

(10) **Patent No.:** **US D638,408 S**

(45) **Date of Patent:** **** May 24, 2011**

(54) **SATELLITE REFLECTOR**

(56) **References Cited**

(75) Inventor: **Jacob Kallmér**, Stockholm (SE)

U.S. PATENT DOCUMENTS

(73) Assignee: **SWE-DISH Satellite Systems AB**,
Solna (SE)

4,994,816	A *	2/1991	Kondo	343/762
D345,362	S *	3/1994	Kadono et al.	D14/230
7,050,015	B2 *	5/2006	Bruchie	343/840
7,218,289	B2 *	5/2007	Trajkovic et al.	343/882
2007/0052612	A1 *	3/2007	Trajkovic et al.	343/840
2007/0210980	A1 *	9/2007	Shen	343/912

(**) Term: **14 Years**

* cited by examiner

(21) Appl. No.: **29/300,150**

Primary Examiner — T. Chase Nelson

Assistant Examiner — Ania Dworzecka

(22) Filed: **Feb. 27, 2008**

(74) *Attorney, Agent, or Firm* — Dickstein Shapiro LLP

(30) **Foreign Application Priority Data**

(57) **CLAIM**

The ornamental design for a satellite reflector, as shown and described.

Aug. 31, 2007 (EM) 000781547

DESCRIPTION

(51) **LOC (9) Cl.** **14-03**

FIG. 1 is a rear elevation view of a satellite reflector showing my new design;
FIG. 2 is a bottom plan view;
FIG. 3 is a front elevation view;
FIG. 4 is a rear perspective view;
FIG. 5 is a left side elevation view;
FIG. 6 is a right side elevation view; and,
FIG. 7 is a top plan view.

(52) **U.S. Cl.** **D14/231**

(58) **Field of Classification Search** D14/218,

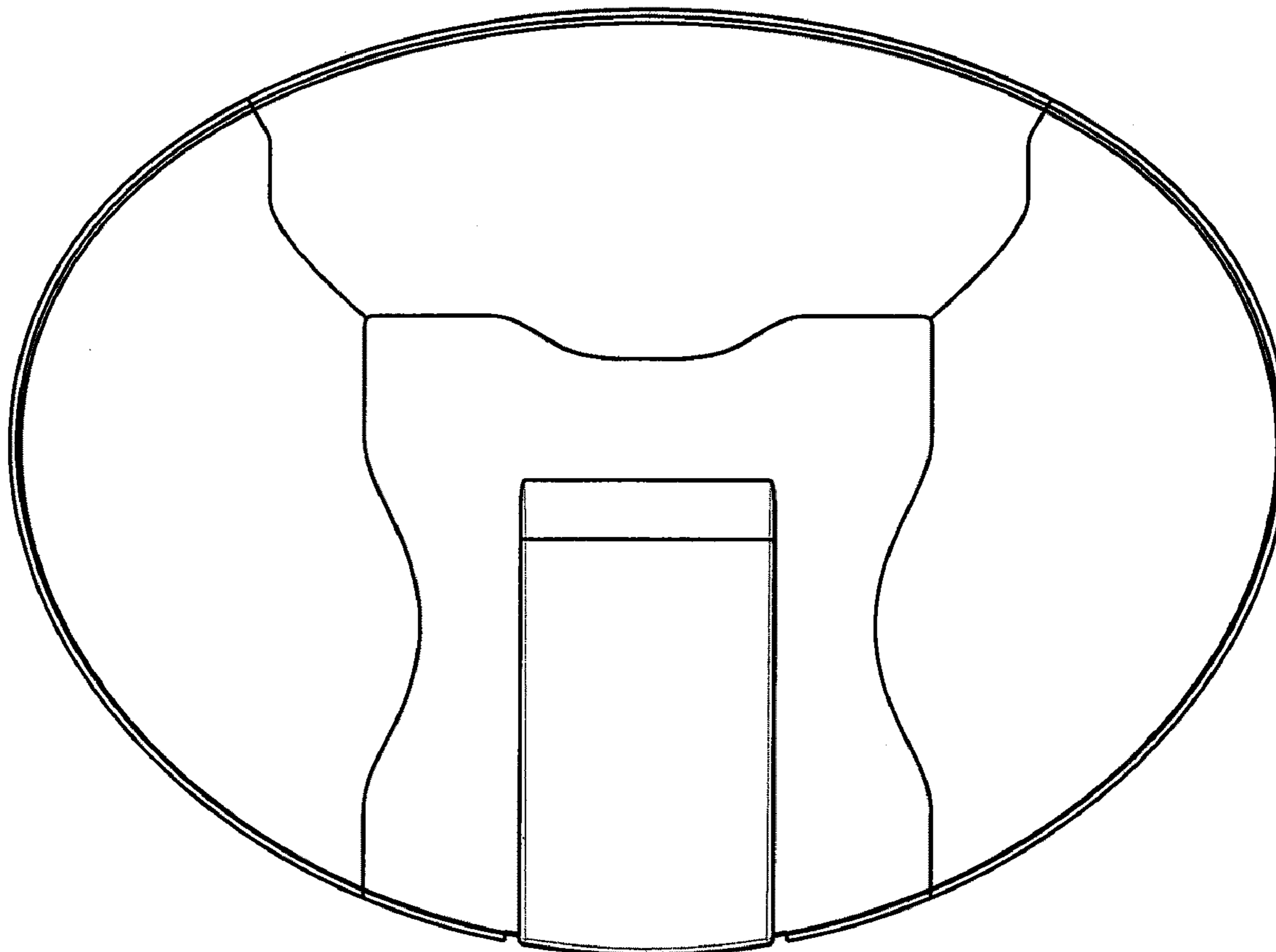
D14/230, 231, 238, 232, 234, 235, 237; 343/878,

343/880, 840, 872, 881, 763, 720, 912, 908,

343/907, 761, 882, 786

See application file for complete search history.

1 Claim, 7 Drawing Sheets



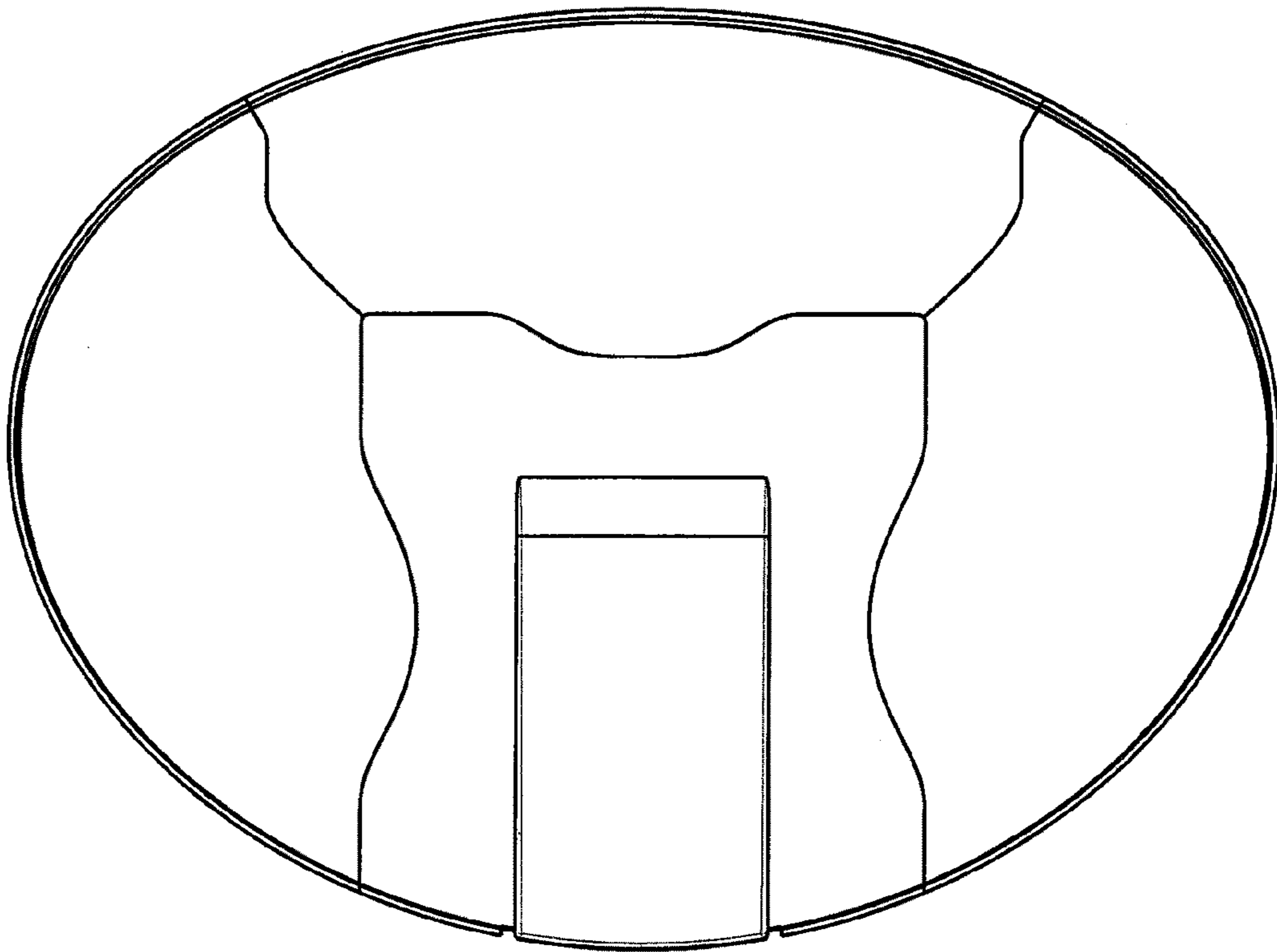


FIG. 1

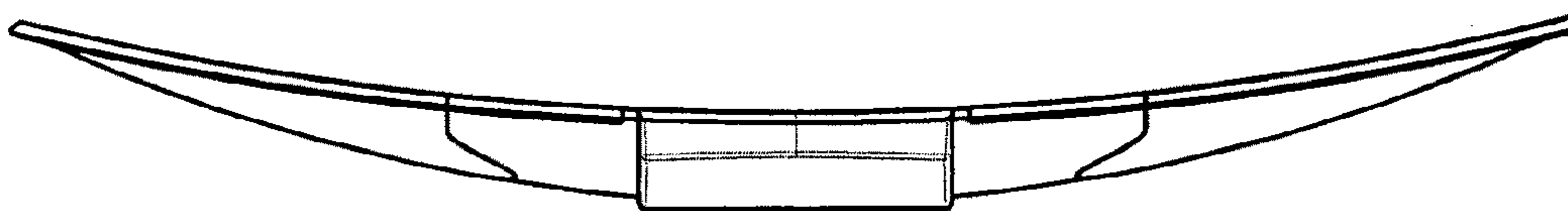


FIG. 2

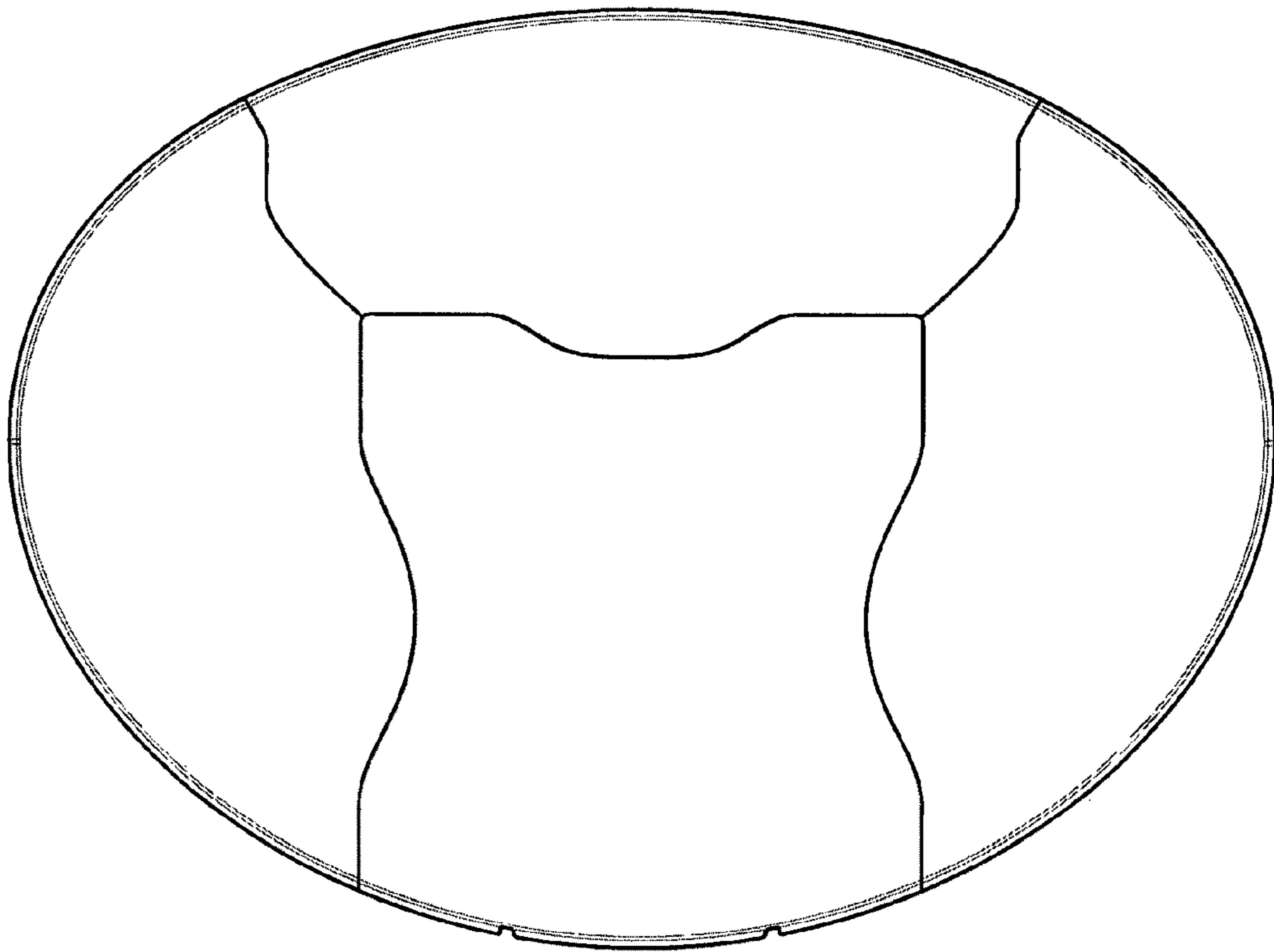


FIG. 3

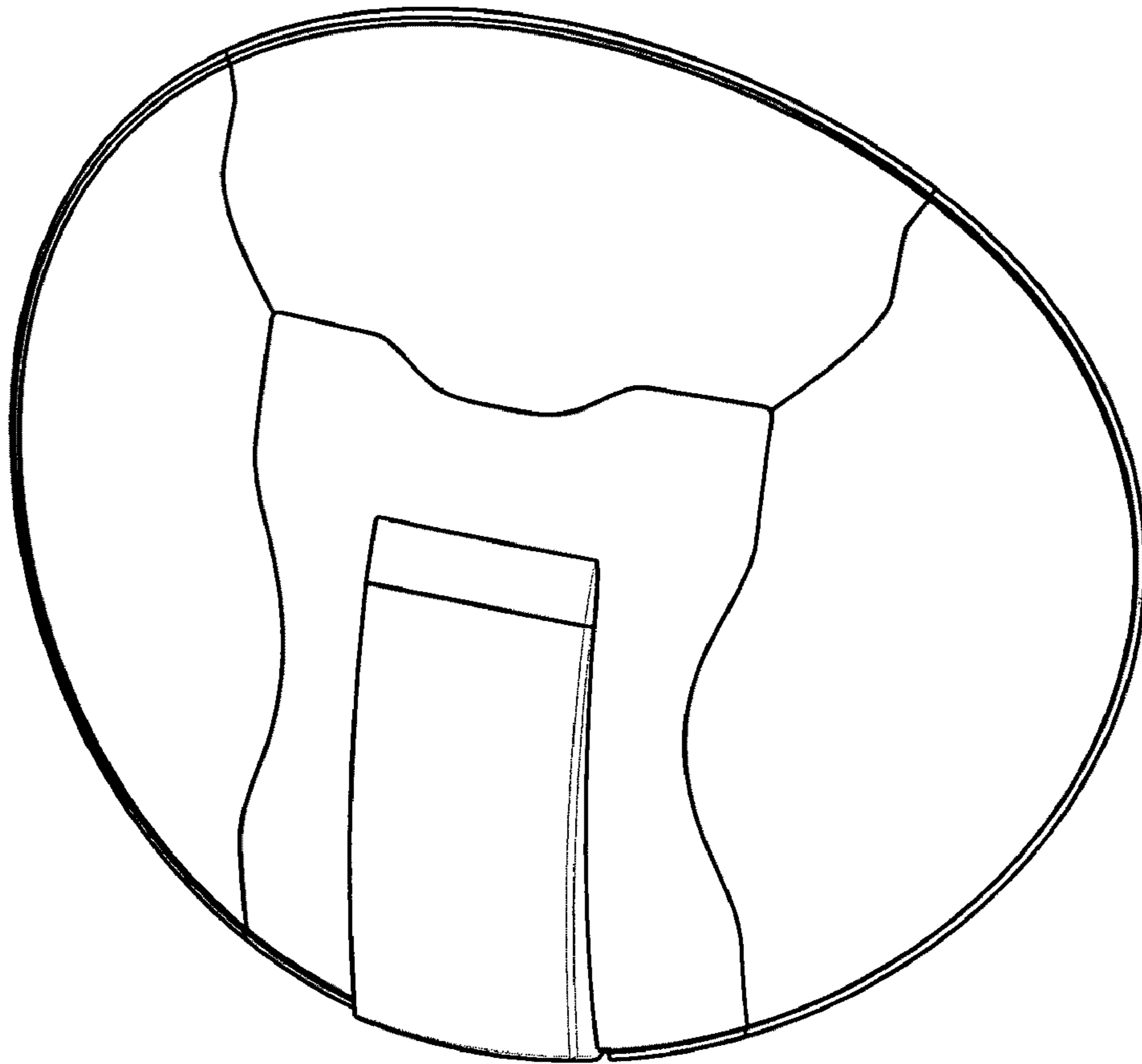


FIG. 4

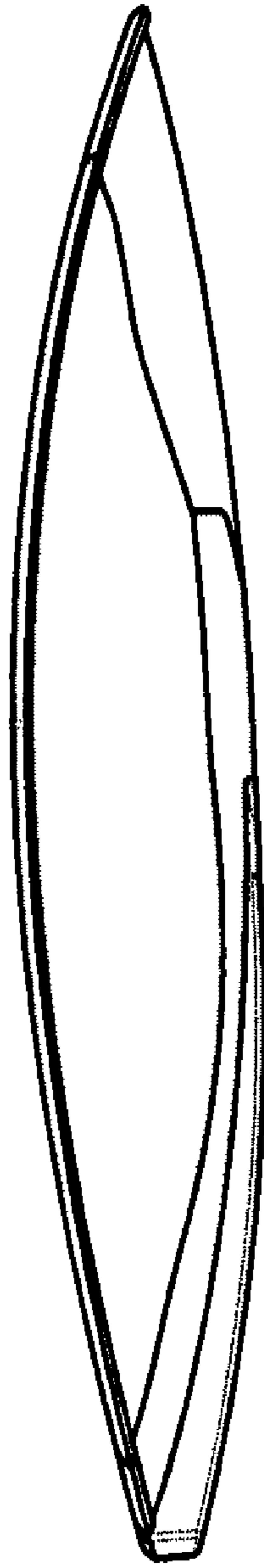


FIG. 5

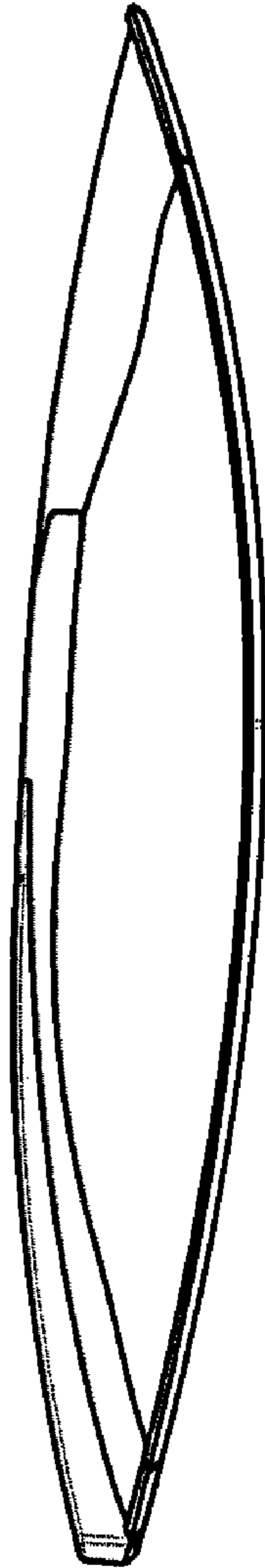


FIG. 6

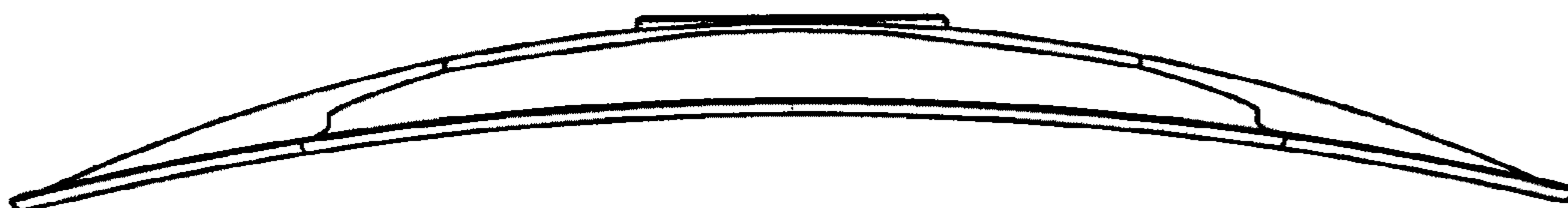


FIG. 7