



US00D638407S

(12) **United States Design Patent**
Pesdirz et al.

(10) **Patent No.:** **US D638,407 S**
(45) **Date of Patent:** **** May 24, 2011**

(54) **SPEAKER HOUSING**

(75) Inventors: **Michael T. Pesdirz**, Barrie (CA);
Cameron A. Mitchell, Innisfil (CA)

(73) Assignee: **Hogtunes Inc.**, Barrie, Ontario (CA)

(**) Term: **14 Years**

(21) Appl. No.: **29/359,474**

(22) Filed: **Apr. 12, 2010**

(51) **LOC (9) Cl.** **14-01**

(52) **U.S. Cl.** **D14/224**

(58) **Field of Classification Search** D13/177,
D13/182; D14/168, 157, 188, 204, 207,
D14/209.1, 215–216, 224, 257–258, 496;
360/99.02, 99.07; 369/75.11, 75.21, 77.11,
369/77.21; 455/344, 347–351; D12/114
See application file for complete search history.

(56) **References Cited**

U.S. PATENT DOCUMENTS

D251,120 S * 2/1979 Hoese D14/157
D304,033 S * 10/1989 Villanueva et al. D14/224
D359,494 S * 6/1995 Hedaya D14/224
D466,841 S * 12/2002 Cohen D12/114
D514,033 S * 1/2006 Jacklyn, II D12/114

OTHER PUBLICATIONS

Picture of Harley Davidson bezel assembly (Undated).

* cited by examiner

Primary Examiner — Nanda Bondade

(74) *Attorney, Agent, or Firm* — Warner Norcross & Judd
LLP

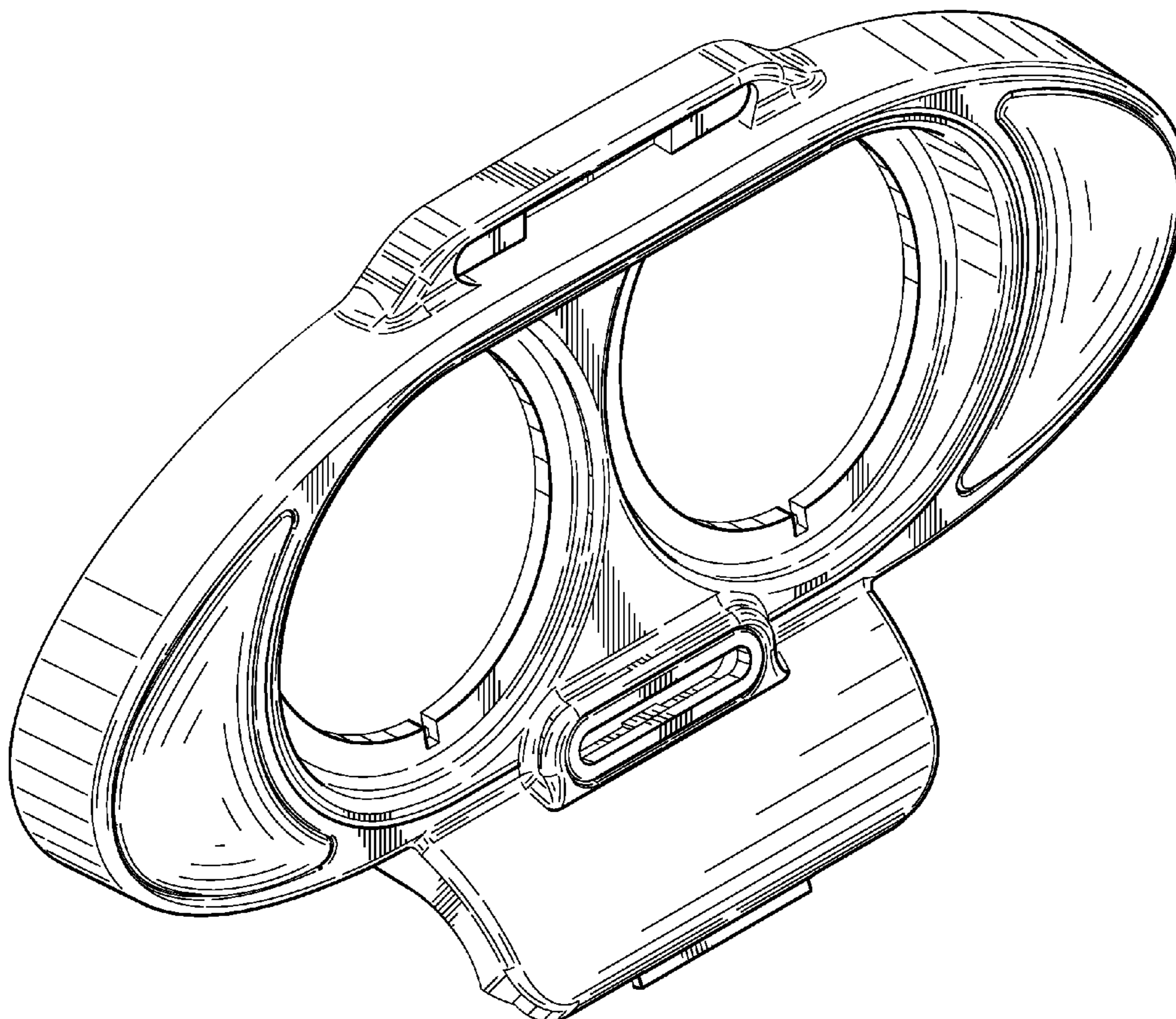
(57) **CLAIM**

The ornamental design for a speaker housing, as shown and described.

DESCRIPTION

FIG. 1 is a front perspective view of a speaker housing embodying the new design;
FIG. 2 is a rear perspective view thereof;
FIG. 3 is a front view thereof;
FIG. 4 is a left end view thereof, the right end view being a mirror image thereof;
FIG. 5 is a rear view thereof;
FIG. 6 is a top view thereof; and,
FIG. 7 is a bottom view thereof.

1 Claim, 6 Drawing Sheets



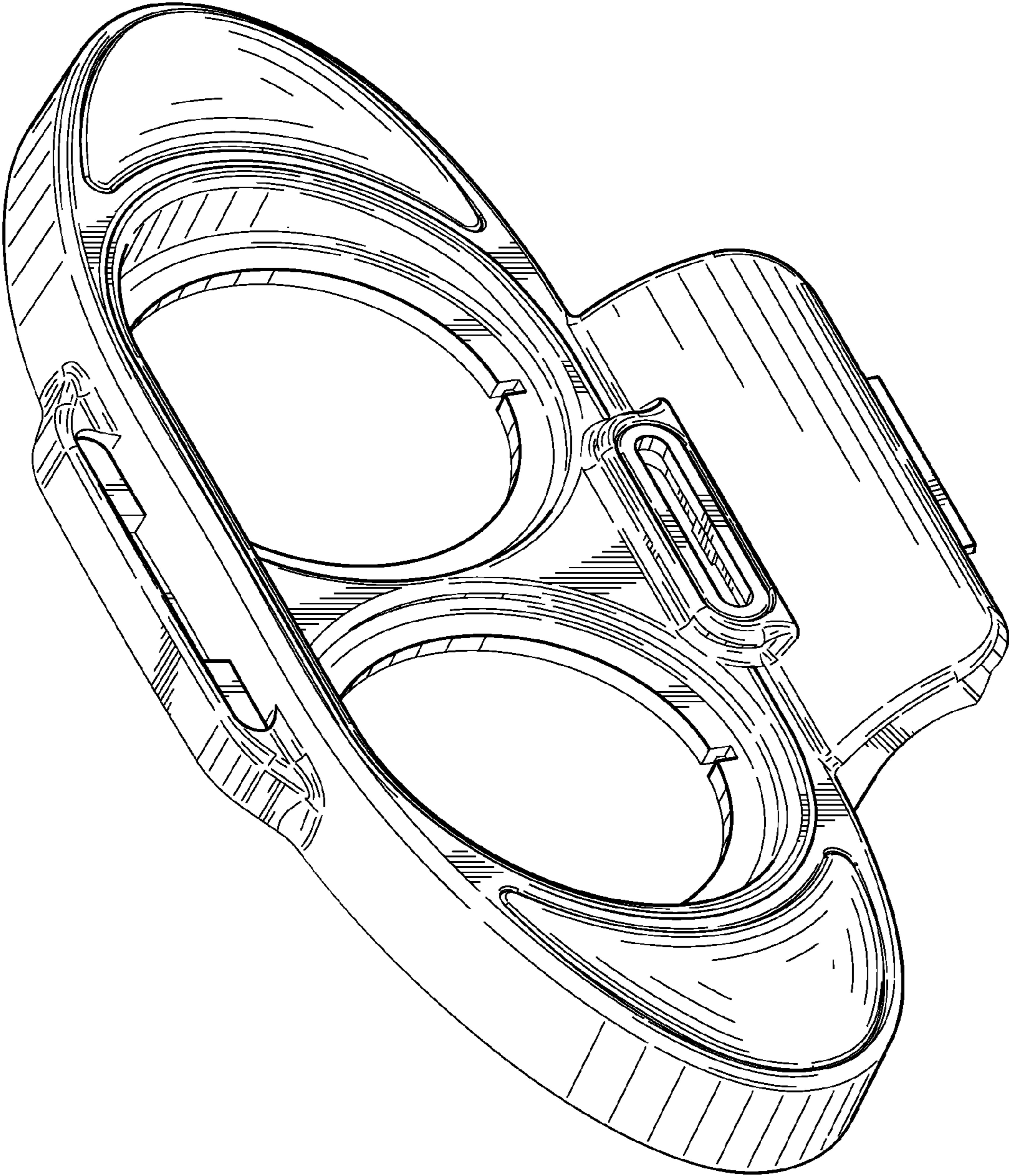


FIG. 1

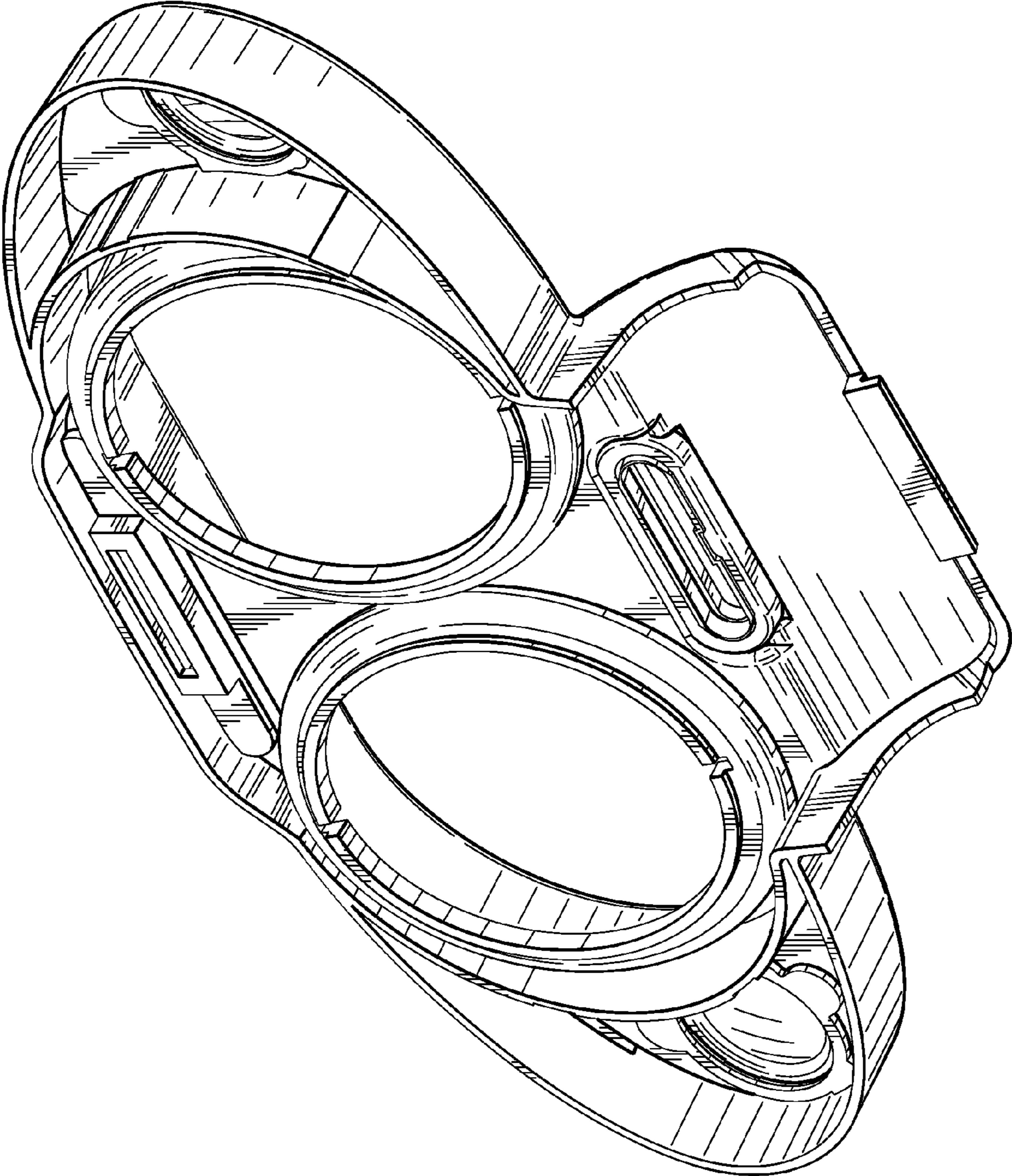


FIG. 2

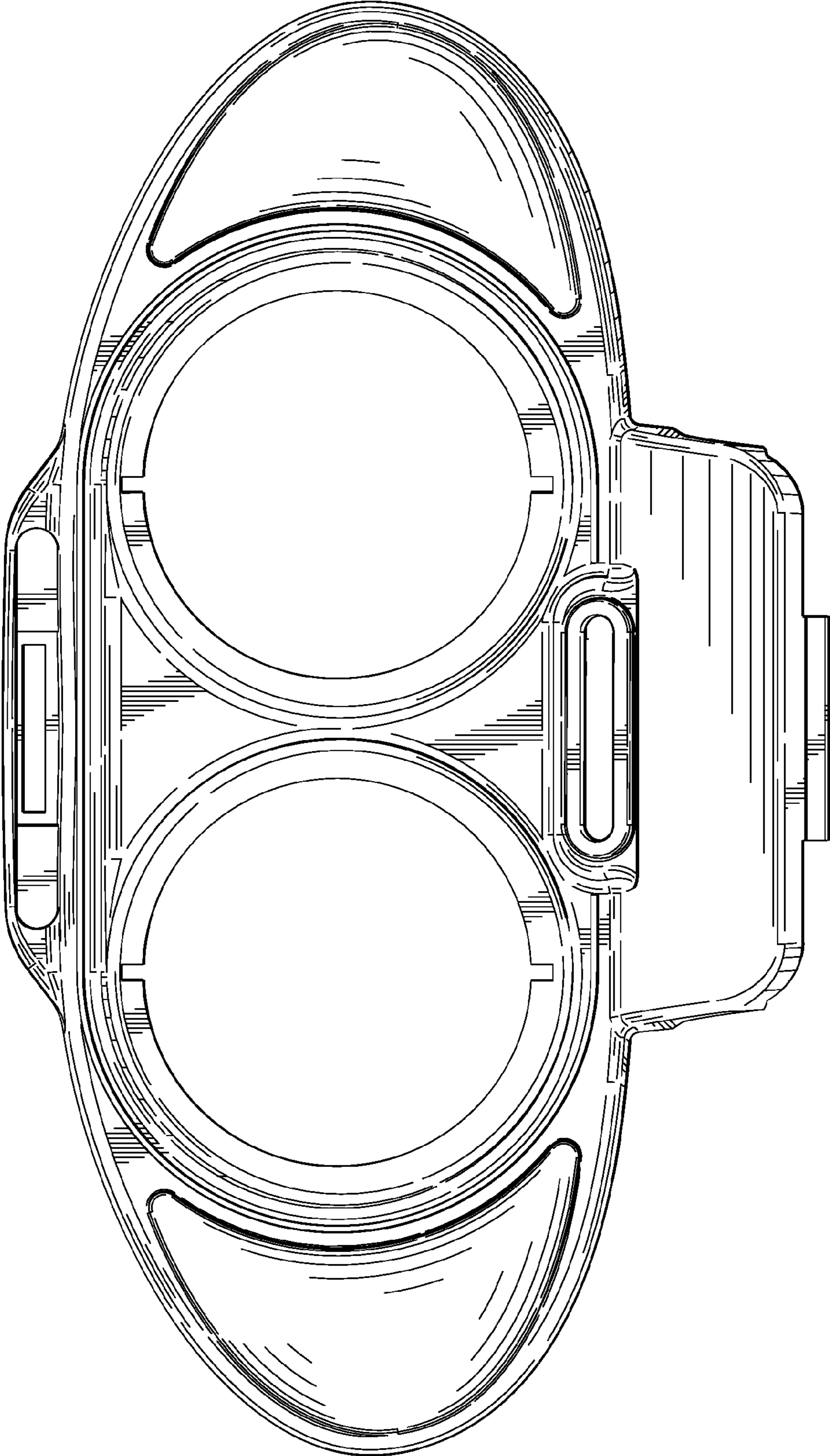


FIG. 3

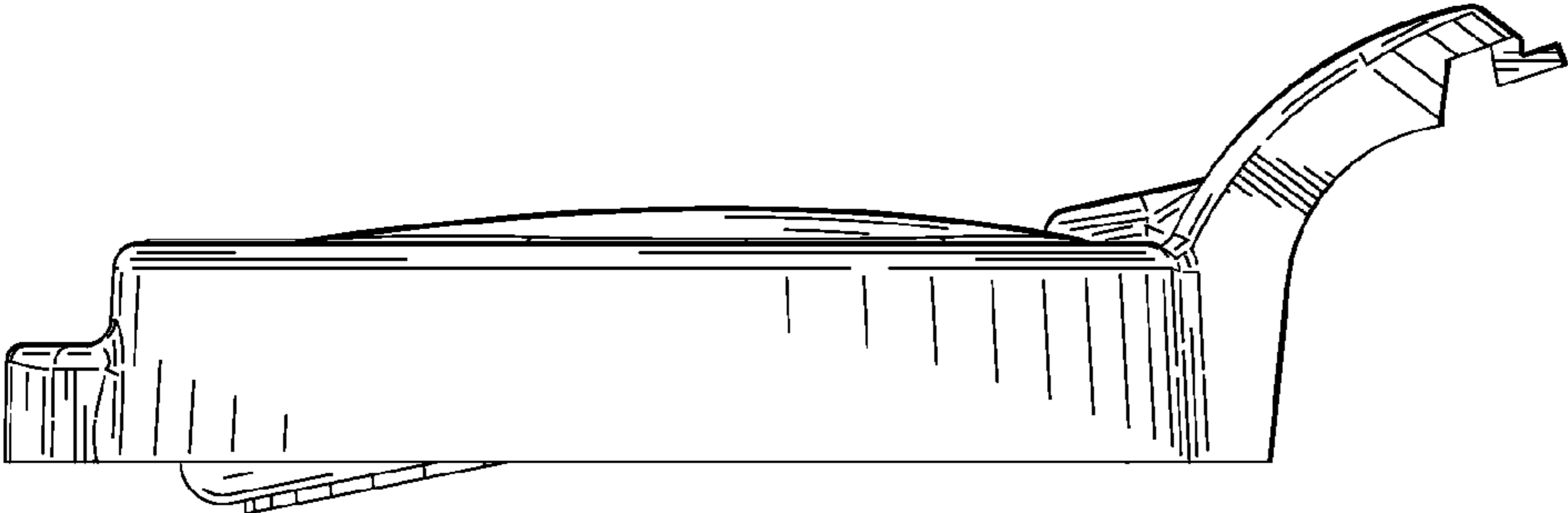


FIG. 4

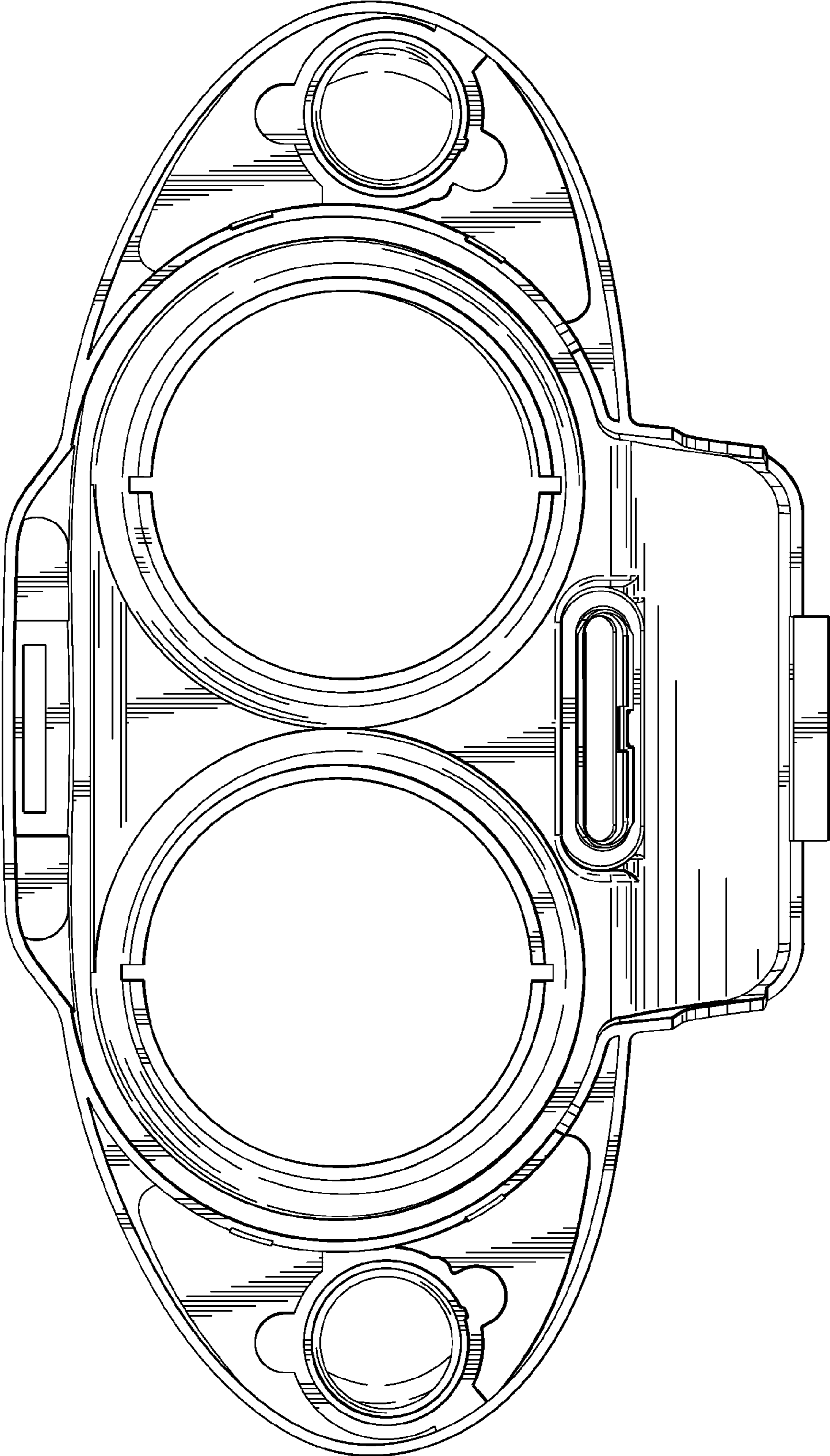


FIG. 5

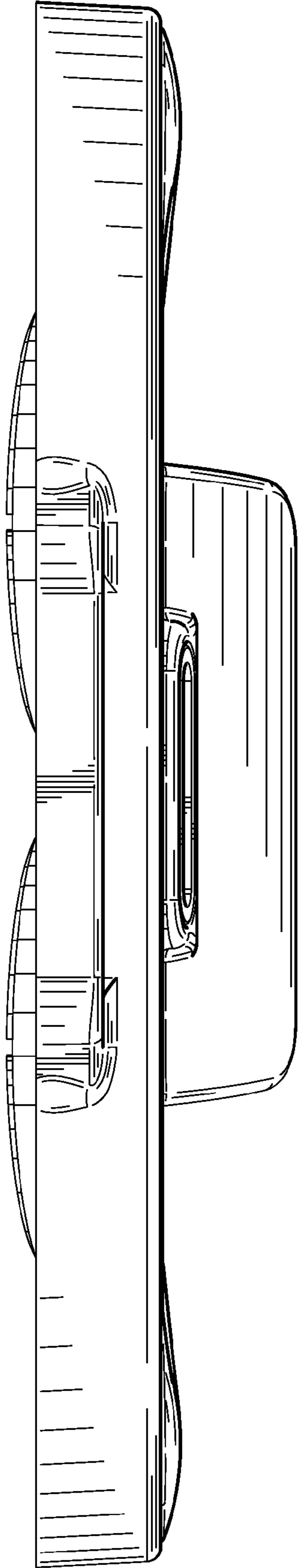


FIG. 6

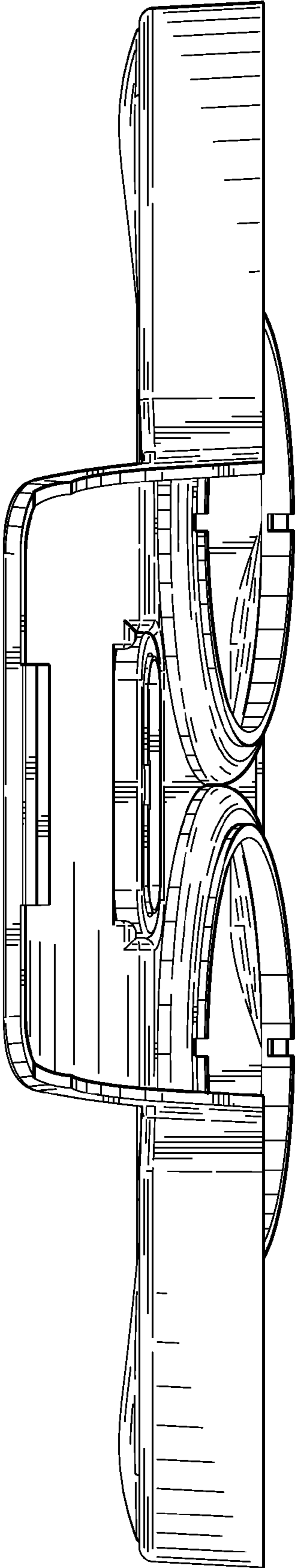


FIG. 7