



US00D638406S

(12) **United States Design Patent**
Chiang

(10) **Patent No.:** **US D638,406 S**

(45) **Date of Patent:** **** May 24, 2011**

(54) **SUPPORT FOR ELECTRONIC DEVICE**

(75) **Inventor:** **Ching-Liang Chiang**, Taoyuan County (TW)

(73) **Assignee:** **HTC Corporation**, Taoyuan (TW)

(**) **Term:** **14 Years**

(21) **Appl. No.:** **29/359,119**

(22) **Filed:** **Apr. 6, 2010**

(51) **LOC (9) Cl.** **14-01**

(52) **U.S. Cl.** **D14/224**

(58) **Field of Classification Search** D14/205,
D14/206, 223, 224, 227, 229, 238, 230, 251,
D14/253, 432, 434, 451, 452, 496, 217, 224.1;
D13/107, 108; 320/115; 248/278.1, 274.1;
379/420.02, 420.04, 430, 420.01, 420.03,
379/433.01, 433.03

See application file for complete search history.

(56) **References Cited**

U.S. PATENT DOCUMENTS

3,184,548	A	*	5/1965	Krulwich	379/447
D320,602	S	*	10/1991	Wells et al.	D14/238
D387,784	S	*	12/1997	Nakamura	D14/224
D416,536	S	*	11/1999	Ross et al.	D13/107
D462,342	S	*	9/2002	Polito et al.	D14/224
D462,950	S	*	9/2002	Waffensmith et al.	D14/251
D465,988	S	*	11/2002	Green	D8/349

D489,322	S	*	5/2004	Sawai et al.	D13/108
D496,029	S	*	9/2004	Skulley et al.	D14/224
D545,826	S	*	7/2007	Richter	D14/447
D551,214	S	*	9/2007	Hussaini et al.	D14/217
D554,137	S	*	10/2007	Richter	D14/447
D564,501	S	*	3/2008	Rath	D14/224
D566,697	S	*	4/2008	Nielsen et al.	D14/224
D593,998	S	*	6/2009	Bentley et al.	D14/224
D599,331	S	*	9/2009	Bentley et al.	D14/224
D602,008	S	*	10/2009	Bentley et al.	D14/224
D602,917	S	*	10/2009	Bentley	D14/224
D610,084	S	*	2/2010	Christopher	D13/107

* cited by examiner

Primary Examiner — Paula Greene

(74) *Attorney, Agent, or Firm* — Birch, Stewart, Kolasch & Birch, LLP

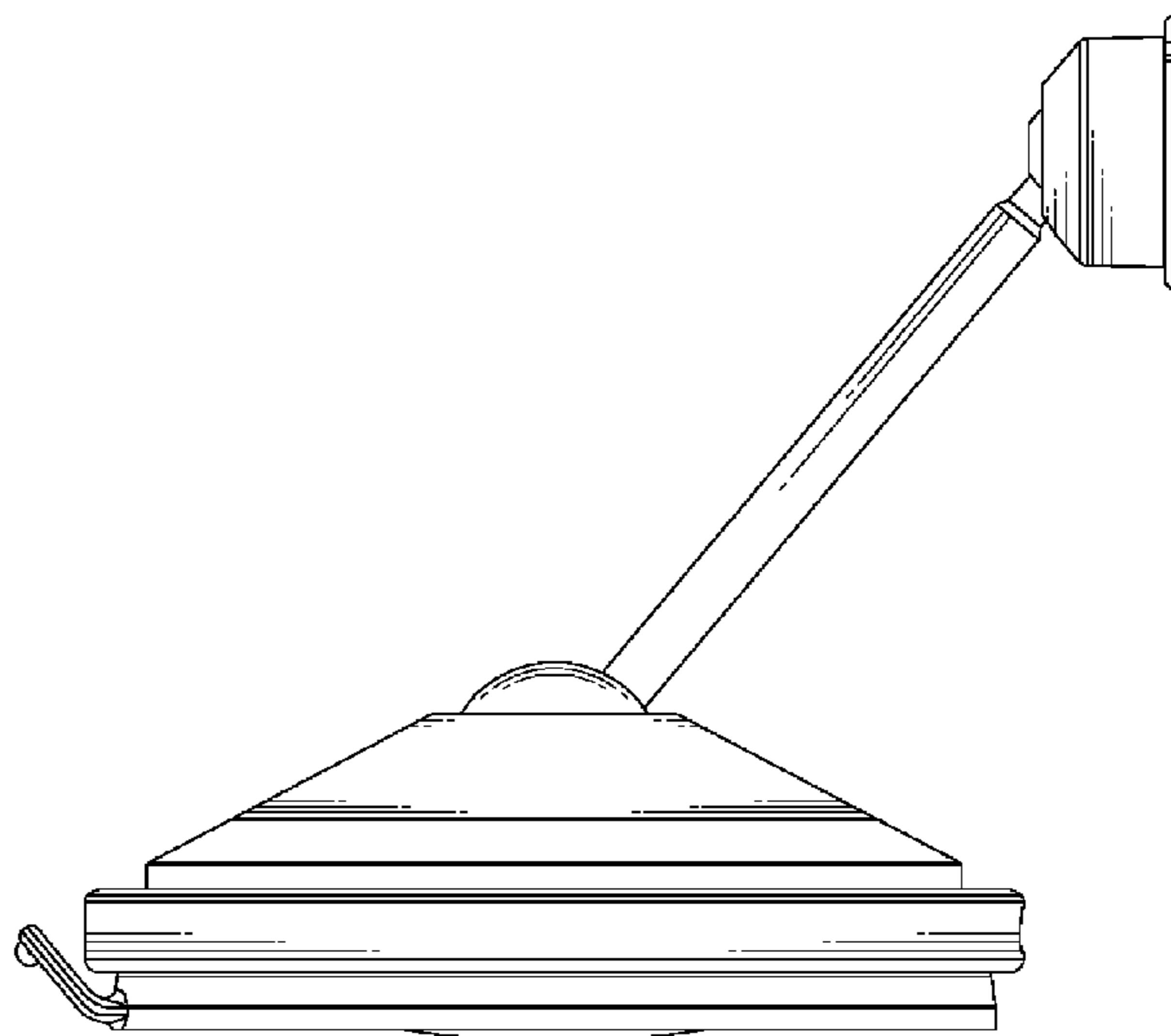
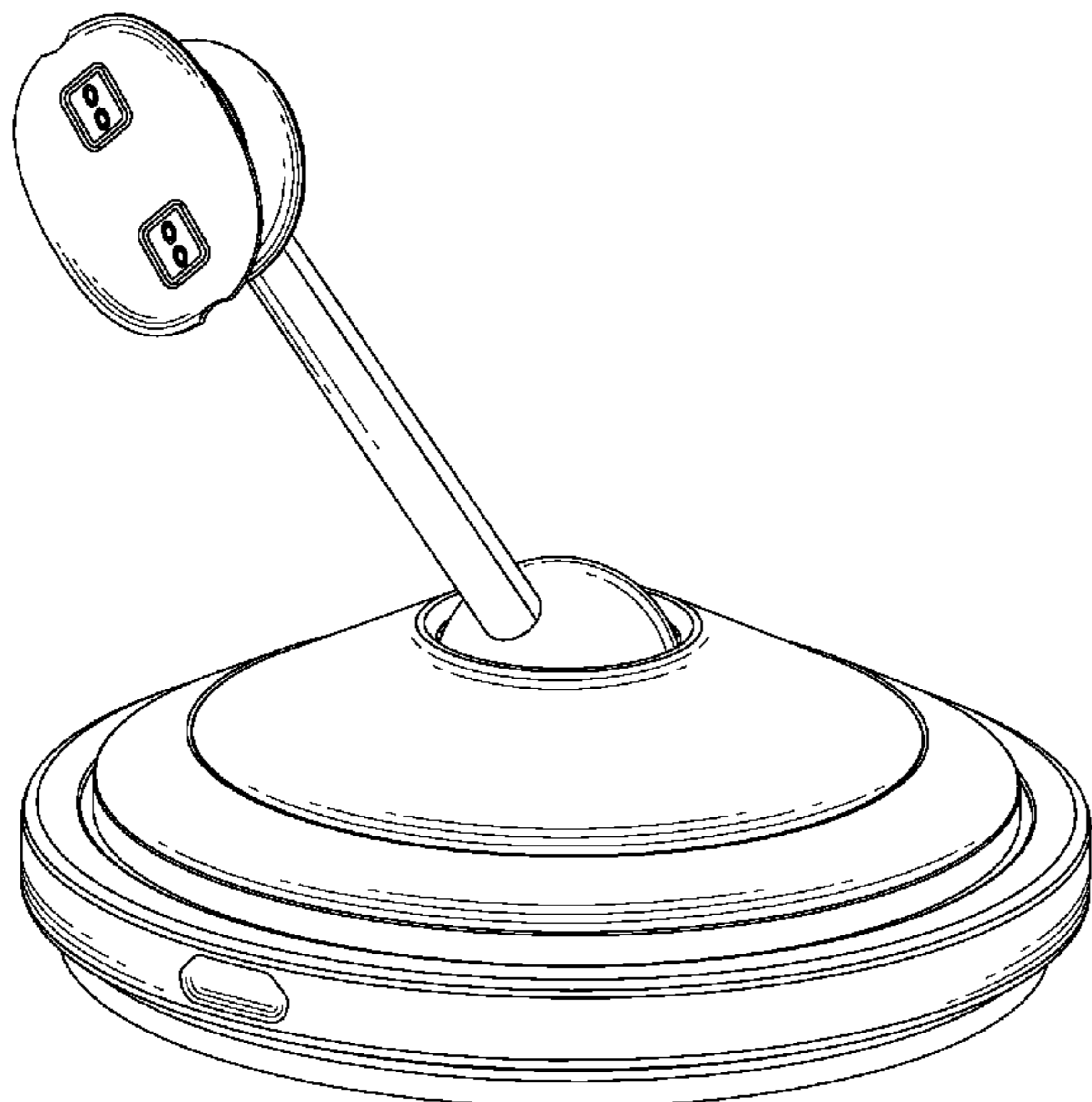
(57) **CLAIM**

The ornamental design for support for electronic device, as shown and described.

DESCRIPTION

FIG. 1 is a front perspective view thereof;
FIG. 2 is a front view thereof;
FIG. 3 is a rear view thereof;
FIG. 4 is a left side view thereof;
FIG. 5 is a right side view thereof;
FIG. 6 is a top plan view thereof; and,
FIG. 7 is a bottom plan view thereof.

1 Claim, 7 Drawing Sheets



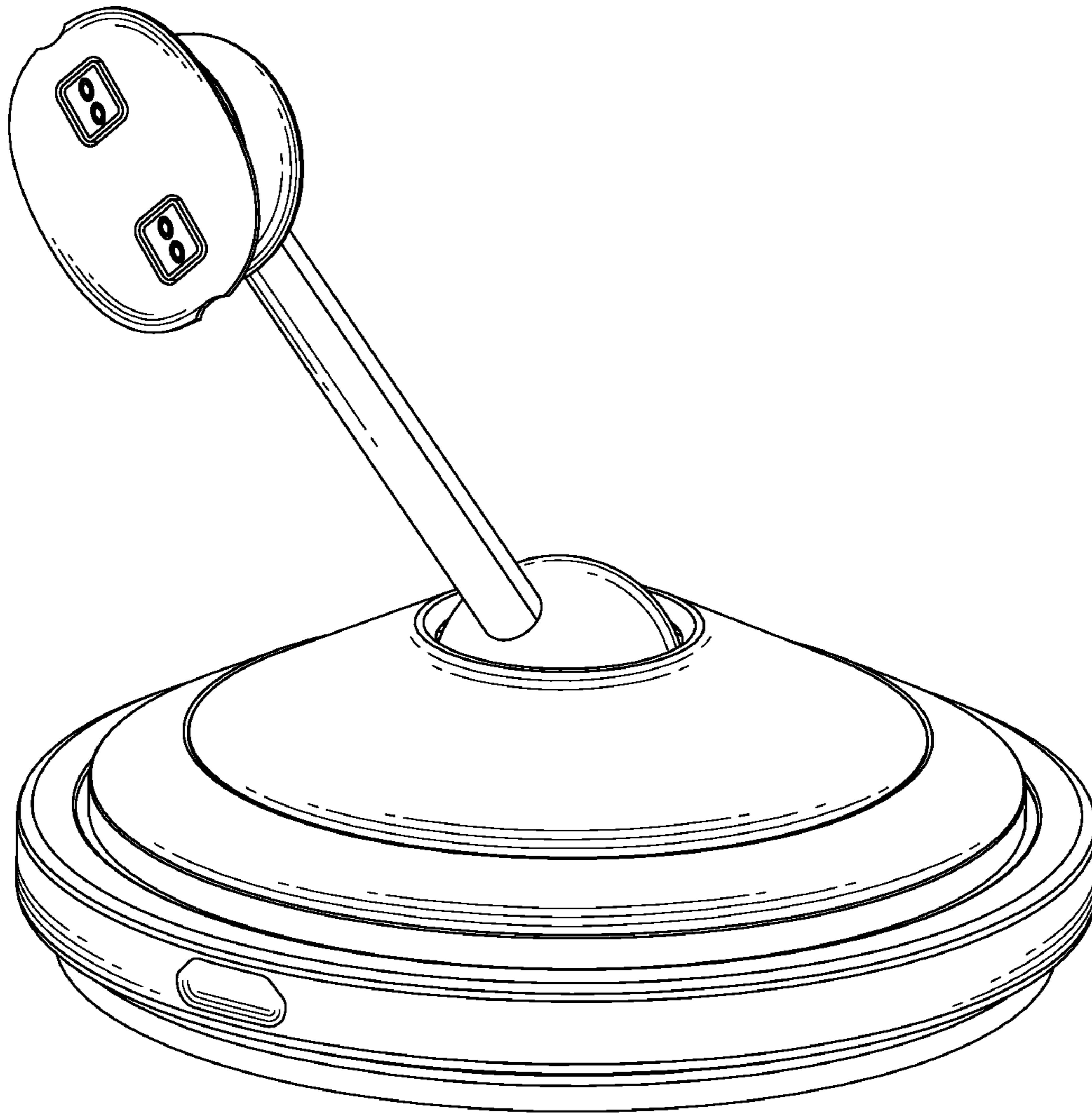


FIG. 1

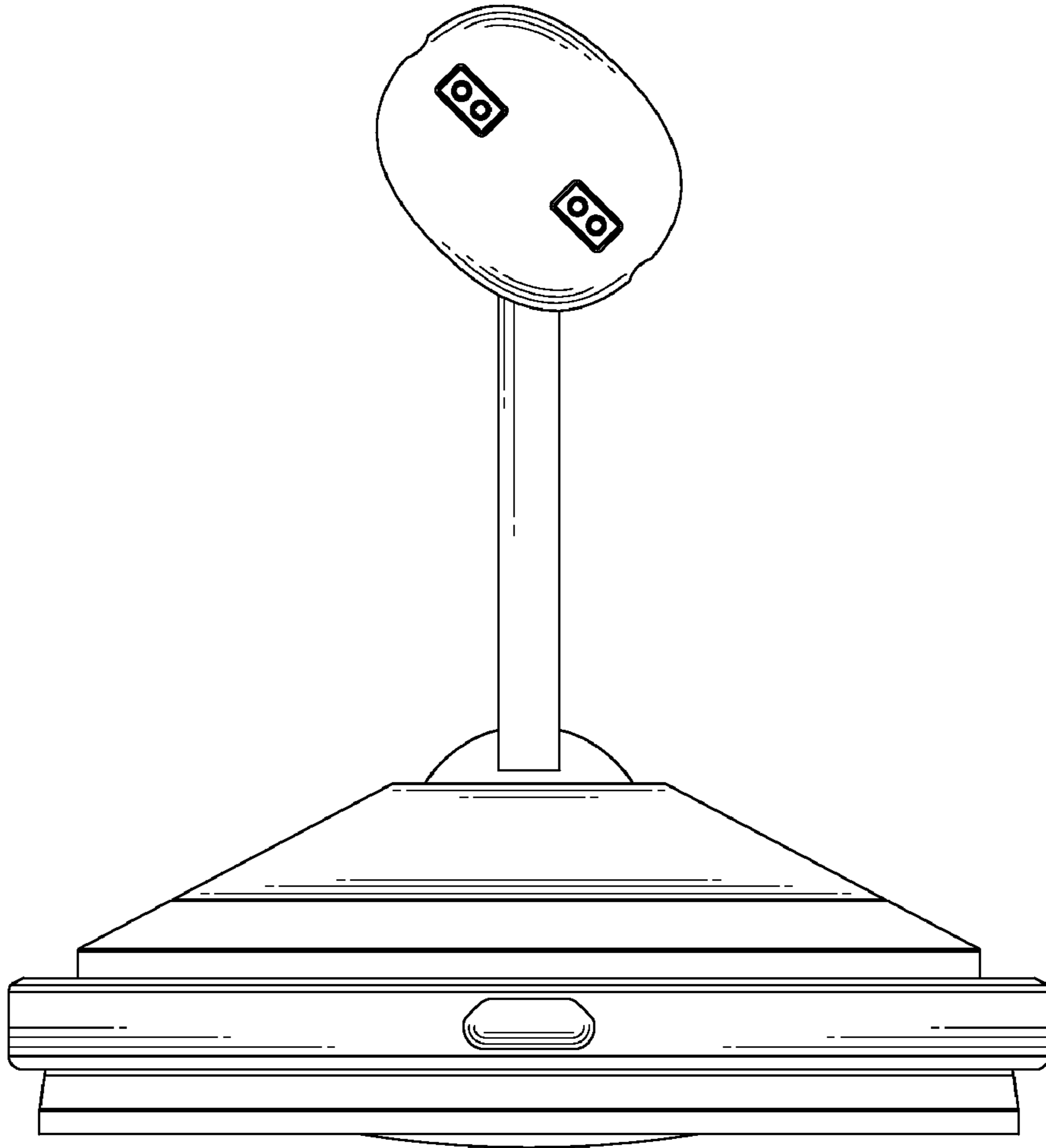


FIG. 2

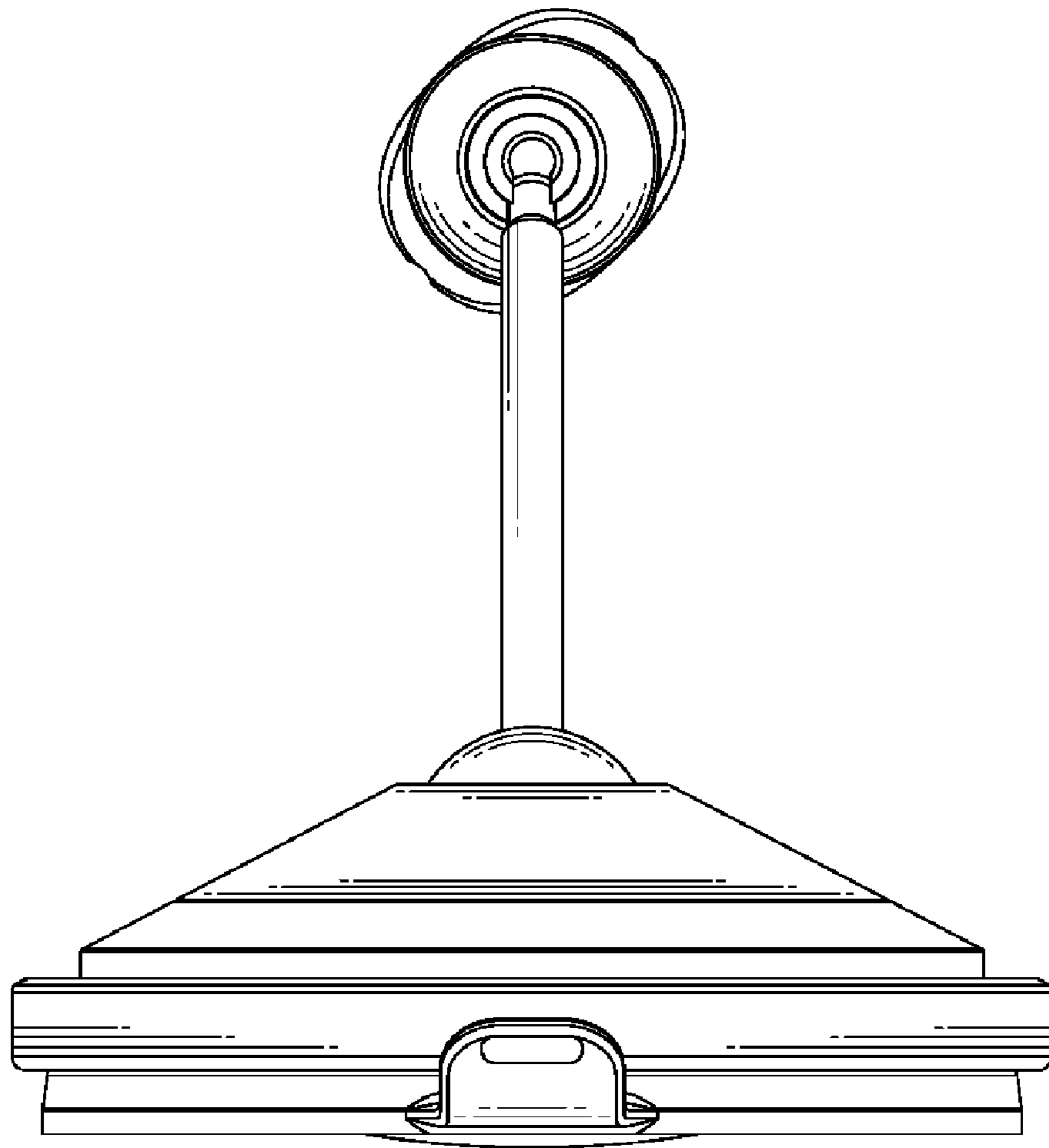


FIG. 3

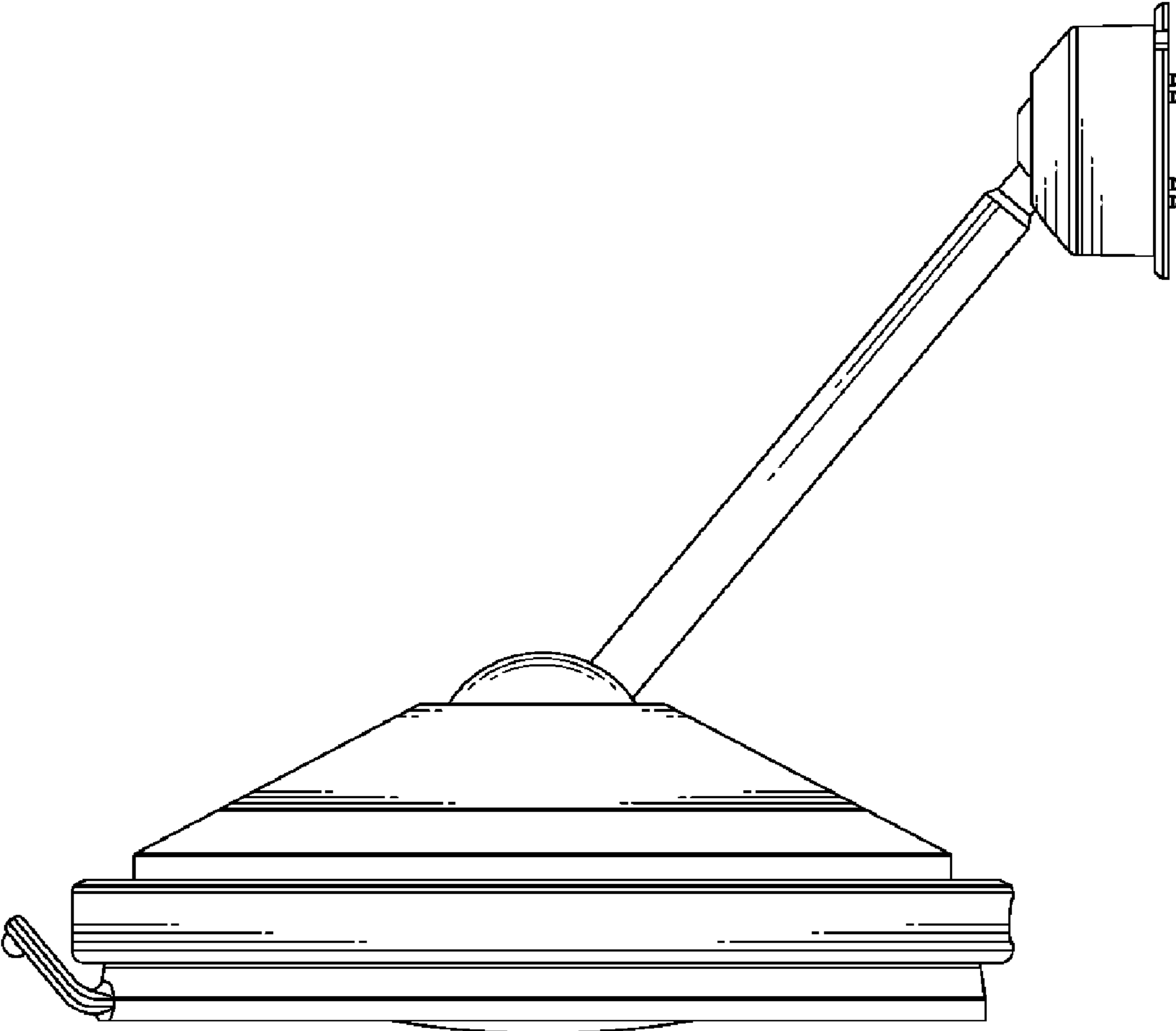


FIG. 4

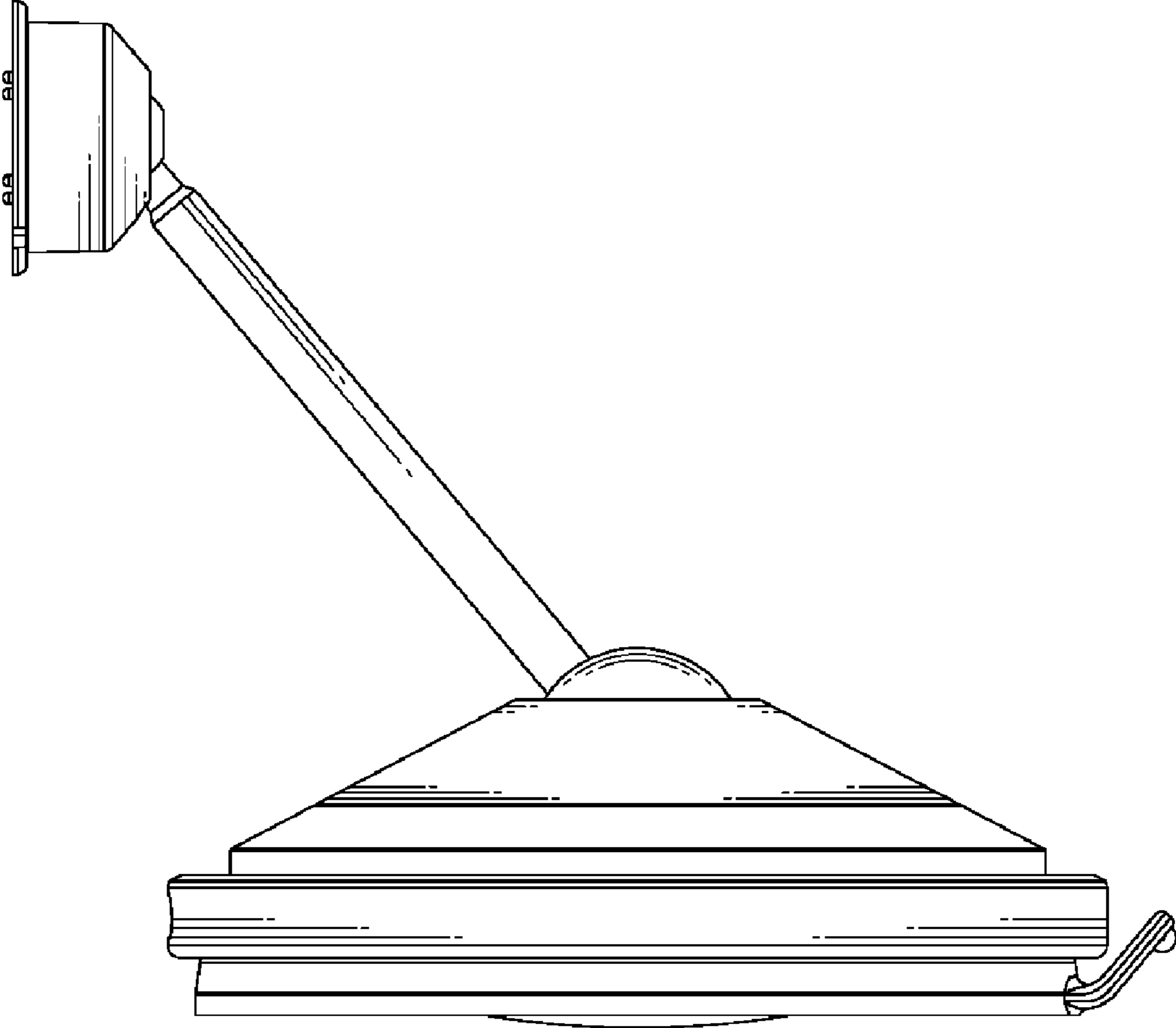


FIG. 5

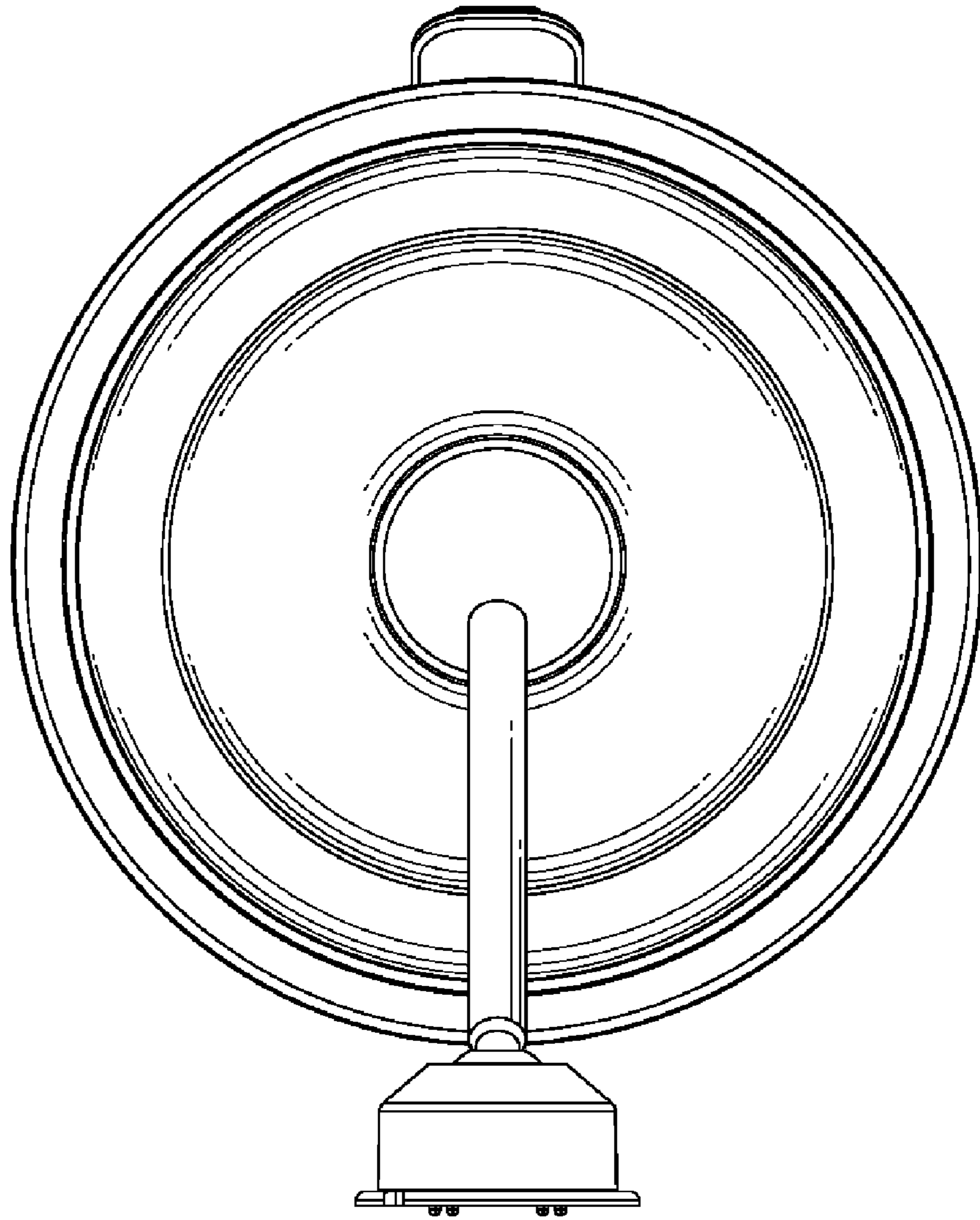


FIG. 6

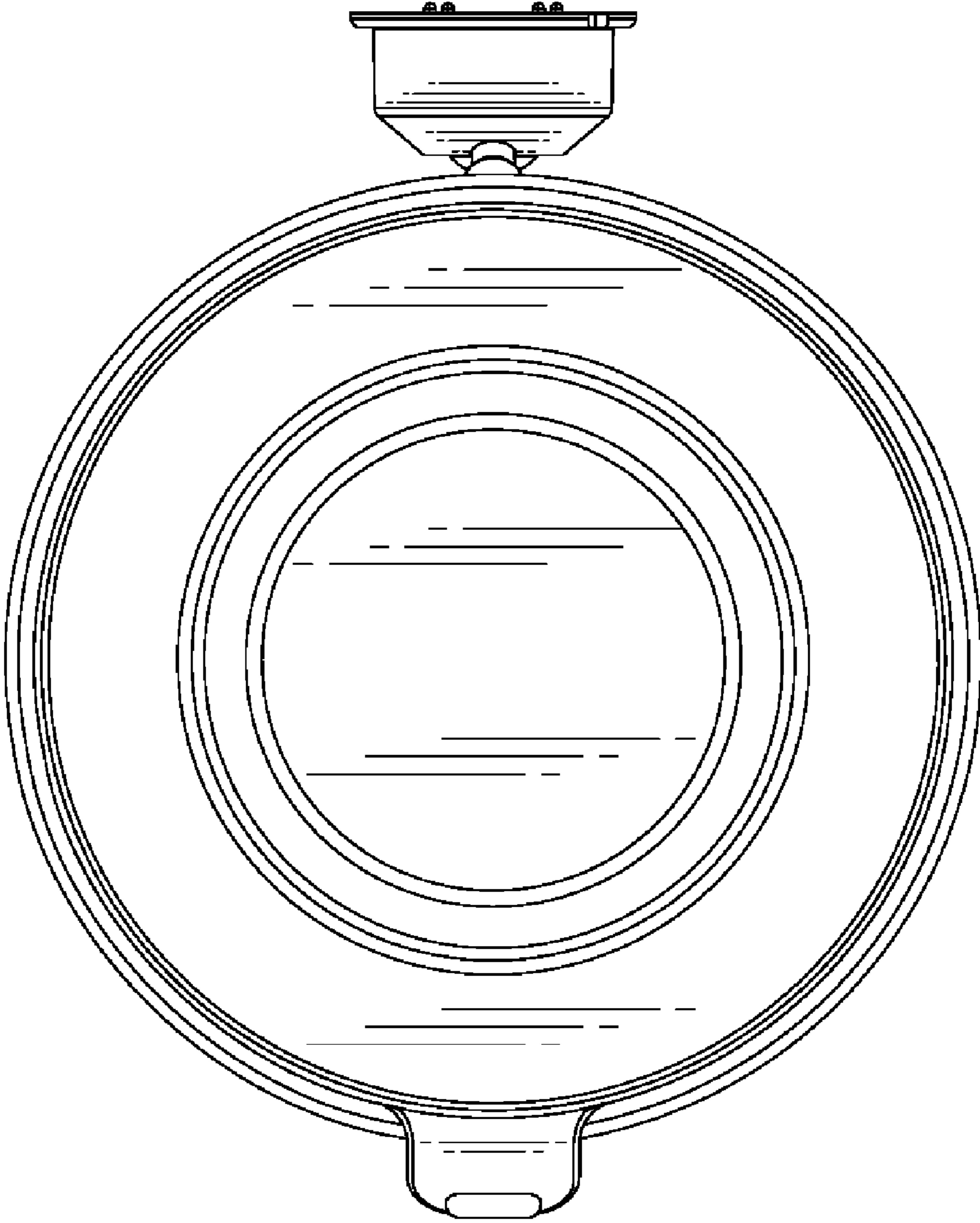


FIG. 7