



US00D638399S

(12) **United States Design Patent**
Morimoto et al.

(10) **Patent No.:** **US D638,399 S**

(45) **Date of Patent:** **** May 24, 2011**

(54) **SPEAKER**

(75) Inventors: **Yoshinobu Morimoto**, Shizuoka-ken (JP); **Koichi Nakao**, Shizuoka-ken (JP)

(73) Assignee: **Roland Corporation**, Shizuoka-Ken (JP)

(**) Term: **14 Years**

(21) Appl. No.: **29/354,943**

(22) Filed: **Jan. 29, 2010**

(51) **LOC (9) Cl.** **14-01**

(52) **U.S. Cl.** **D14/214; D14/217**

(58) **Field of Classification Search** D14/496,
D14/498-511, 167-168, 188, 197-198, 209.1,
D14/210-217, 299; 360/99.02, 99.07; 369/75.11,
369/75.21, 77.11, 77.21; 720/601, 612, 619,
720/649, 655; 455/344, 347-351; 181/143-145,
181/147-148, 150, 151, 153, 198-199;
381/300-302, 306, 333, 345, 361-364, 386-388,
381/332, 336; D3/272, 905; D7/306-308;
D30/121, 131

See application file for complete search history.

(56) **References Cited**

U.S. PATENT DOCUMENTS

D294,080 S *	2/1988	Golia et al.	D3/272
D381,857 S *	8/1997	Swaim	D7/307
D398,807 S *	9/1998	Fjelde	D7/306
D437,684 S *	2/2001	Streich et al.	D3/273
D446,650 S *	8/2001	Chen	D3/282
D505,549 S *	5/2005	Hosking	D14/509
D507,877 S *	8/2005	Lin	D3/905
D538,266 S	3/2007	Yoon et al.		
D565,549 S	4/2008	Sawhney et al.		
D568,293 S	5/2008	Sawhney et al.		
D568,294 S	5/2008	Sawhney et al.		
D571,356 S	6/2008	Smith		

FOREIGN PATENT DOCUMENTS

KR 30 0396427 10/2005

OTHER PUBLICATIONS

NOA dated Jan. 10, 2011 for U.S. Appl. No. 29/354,944, filed Jan. 29, 2010, entitled "Speaker", 12 pp.

JP Office Action dated Dec. 1, 2009 for JP Application No. 2009-019745 filed Aug. 28, 2009.

Partial translation of JP Office Action dated Dec. 1, 2009 for JP Application No. 2009-019745 filed Aug. 28, 2009.

Reference cited in JP Office Action, JP Application No. 2009-019745, dated Dec. 1, 2009, listed as "Reference 1: Multi Media Accessories—HD 11010191, Oct. 6, 1999".

US Design Patent Application entitled "Speaker", U.S. Appl. No. 29/354,944, filed Jan. 29, 2010 by inventors Y. Morimoto and K. Nakao.

* cited by examiner

Primary Examiner — Nanda Bondade

(74) *Attorney, Agent, or Firm* — David W. Victor; Konrad Raynes & Victor LLP

(57) **CLAIM**

We claim the ornamental design for a speaker, as shown and described.

DESCRIPTION

FIG. 1 is a front perspective view of a speaker.

FIG. 2 is a rear perspective view of a speaker.

FIG. 3 is a front view of a speaker.

FIG. 4 is a rear view of a speaker.

FIG. 5 is a top view of a speaker

FIG. 6 is a bottom view of a speaker.

FIG. 7 is a left side view of a speaker.

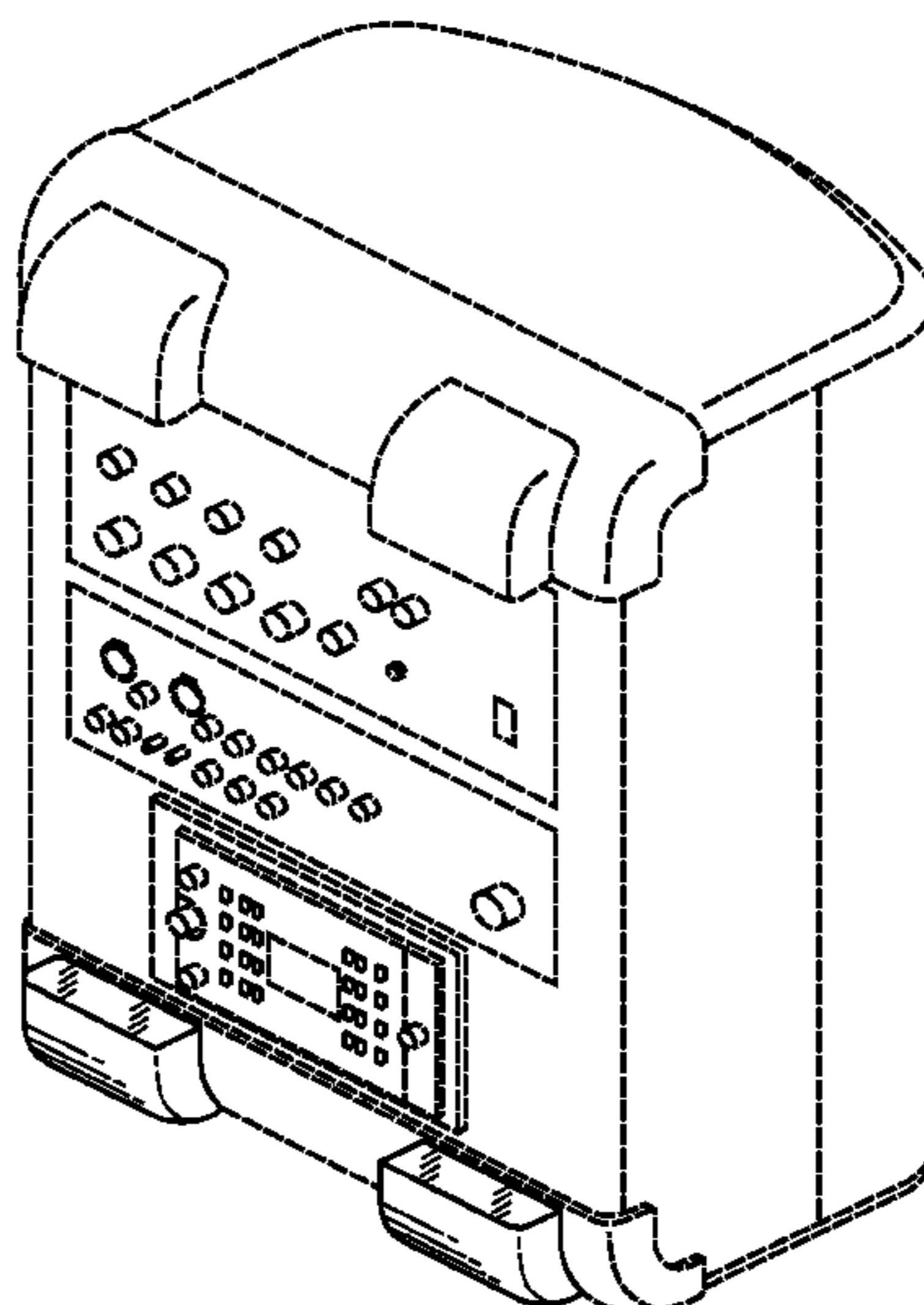
FIG. 8 is a right side view of a speaker.

FIG. 9 is a cross sectional view taken along the lines 9—9 on FIG. 3 which omits a portion of the internal structure of a speaker; and,

FIG. 10 is a cross sectional view taken along the lines 10—10 on FIG. 3 which omits the internal structure of a speaker.

The broken line showing on the drawing disclosure is for illustrative purposes only and forms no part of the claimed design.

1 Claim, 8 Drawing Sheets



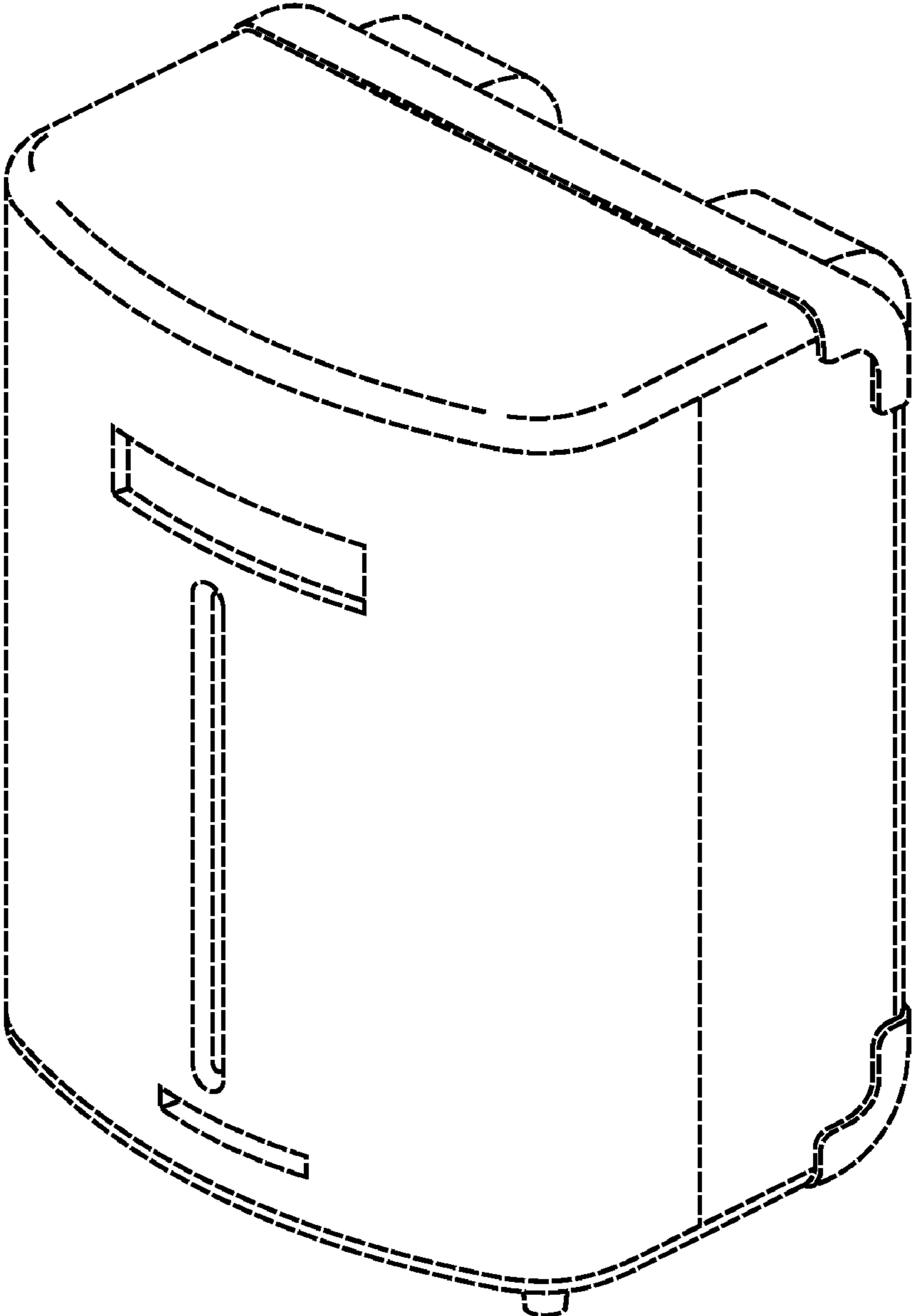


FIG. 1

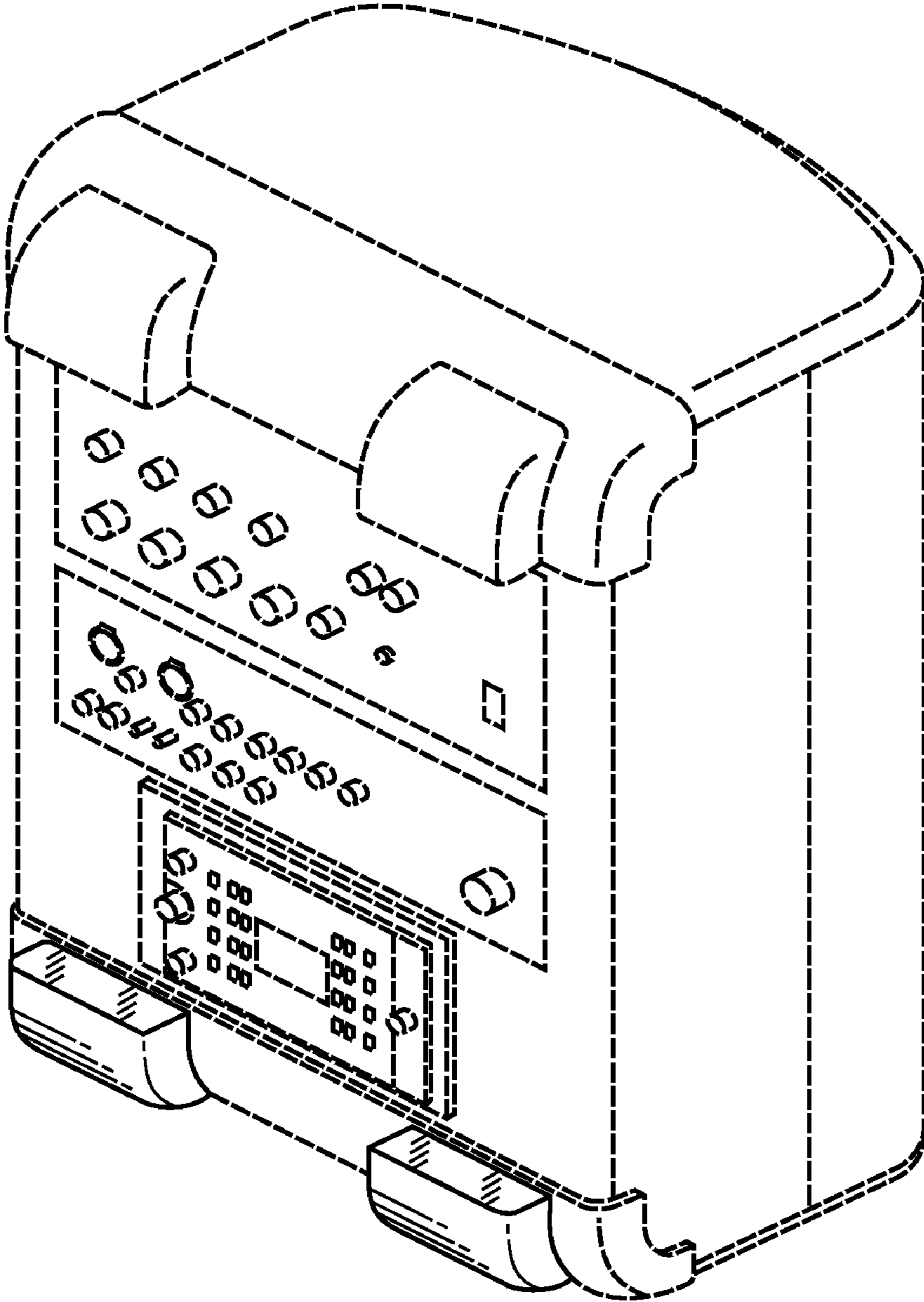


FIG. 2

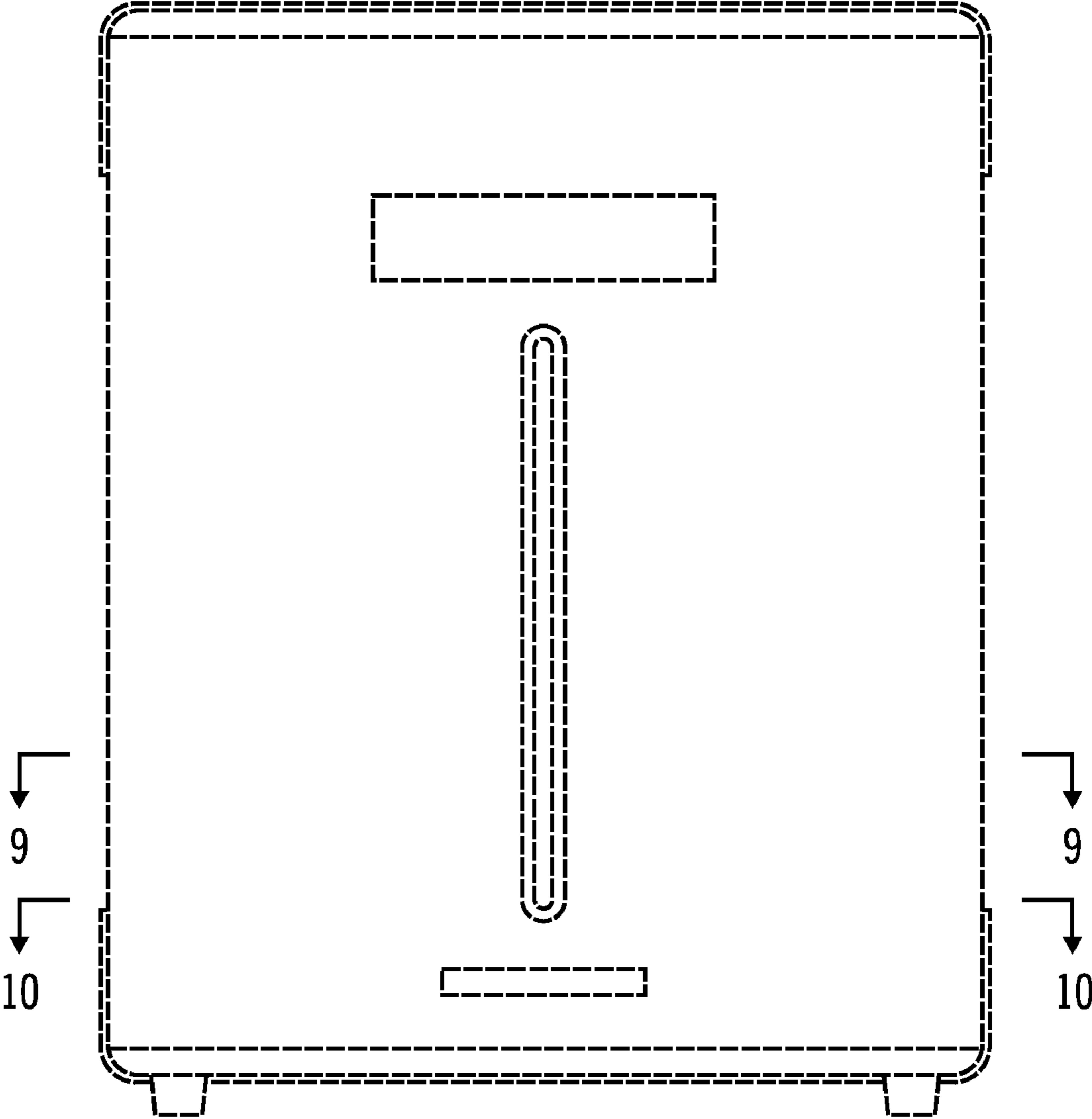


FIG. 3

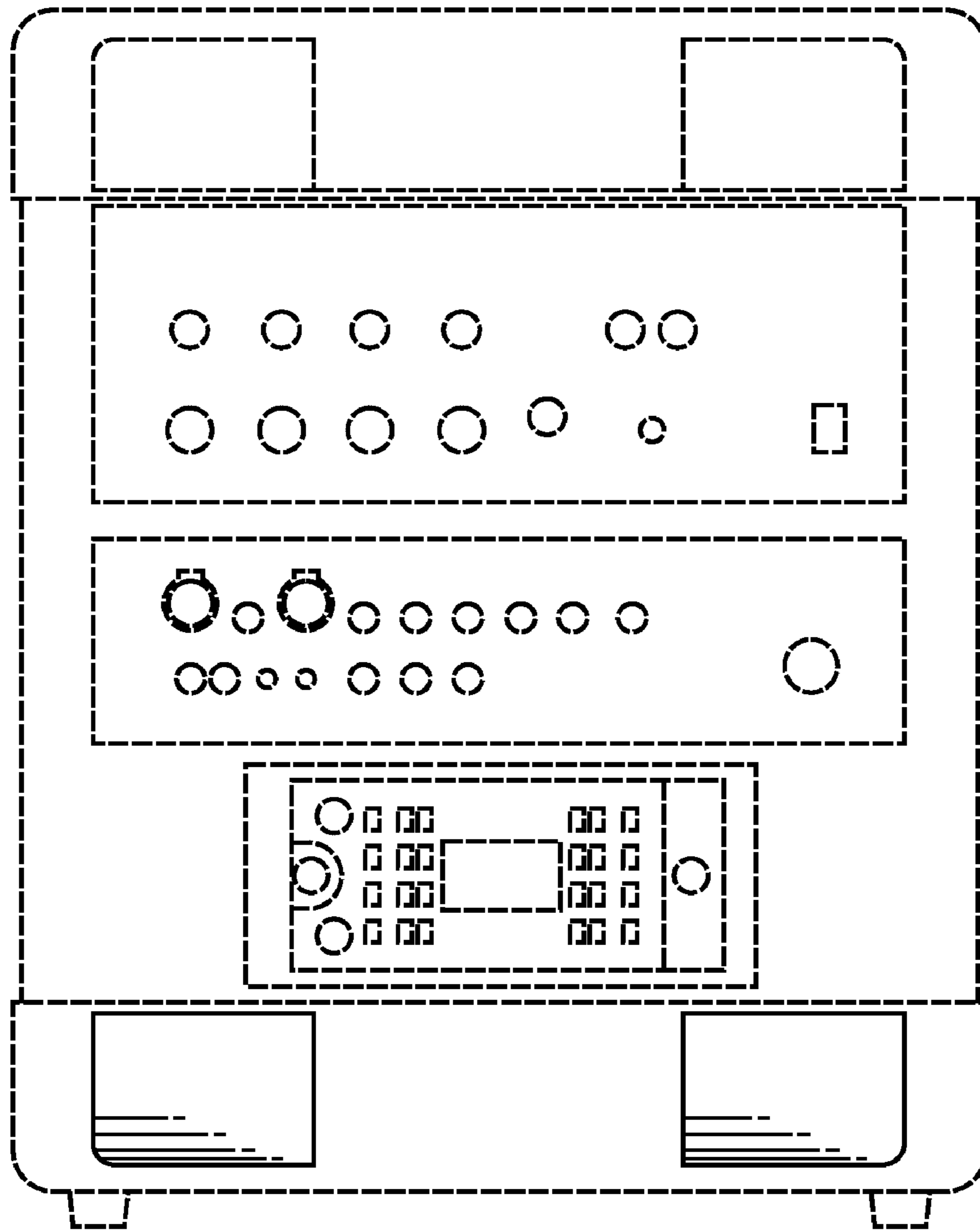


FIG. 4

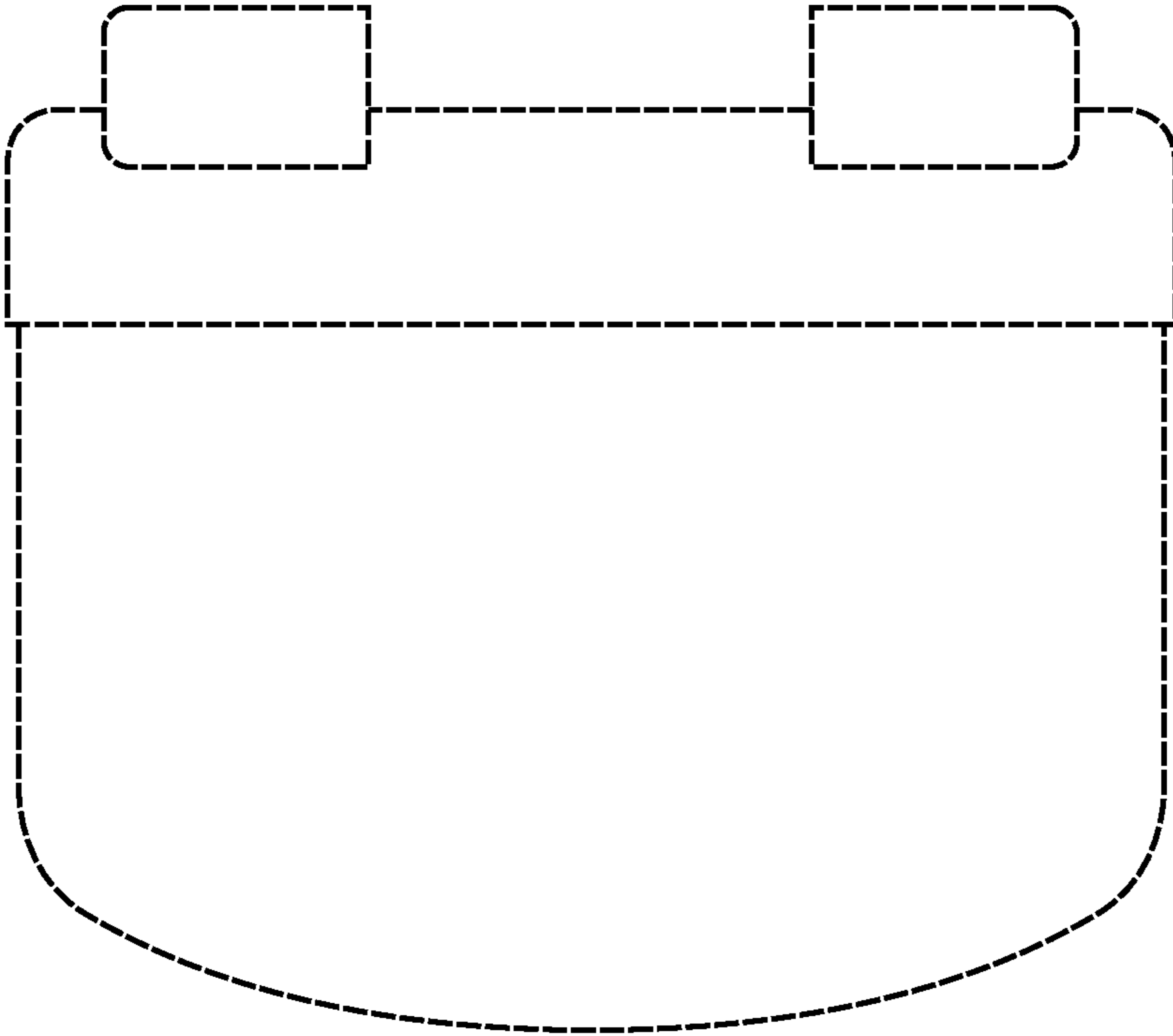


FIG. 5

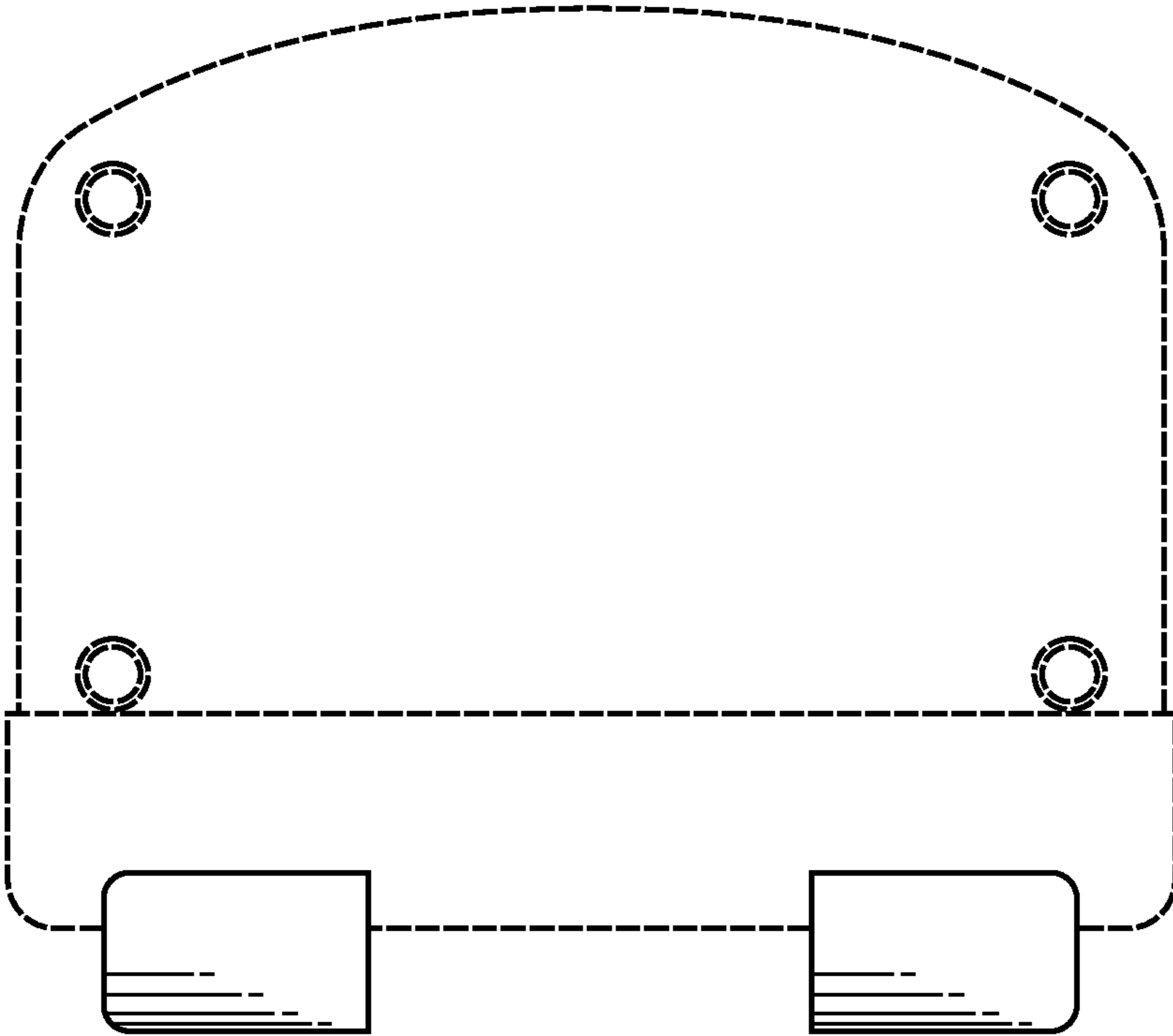


FIG. 6

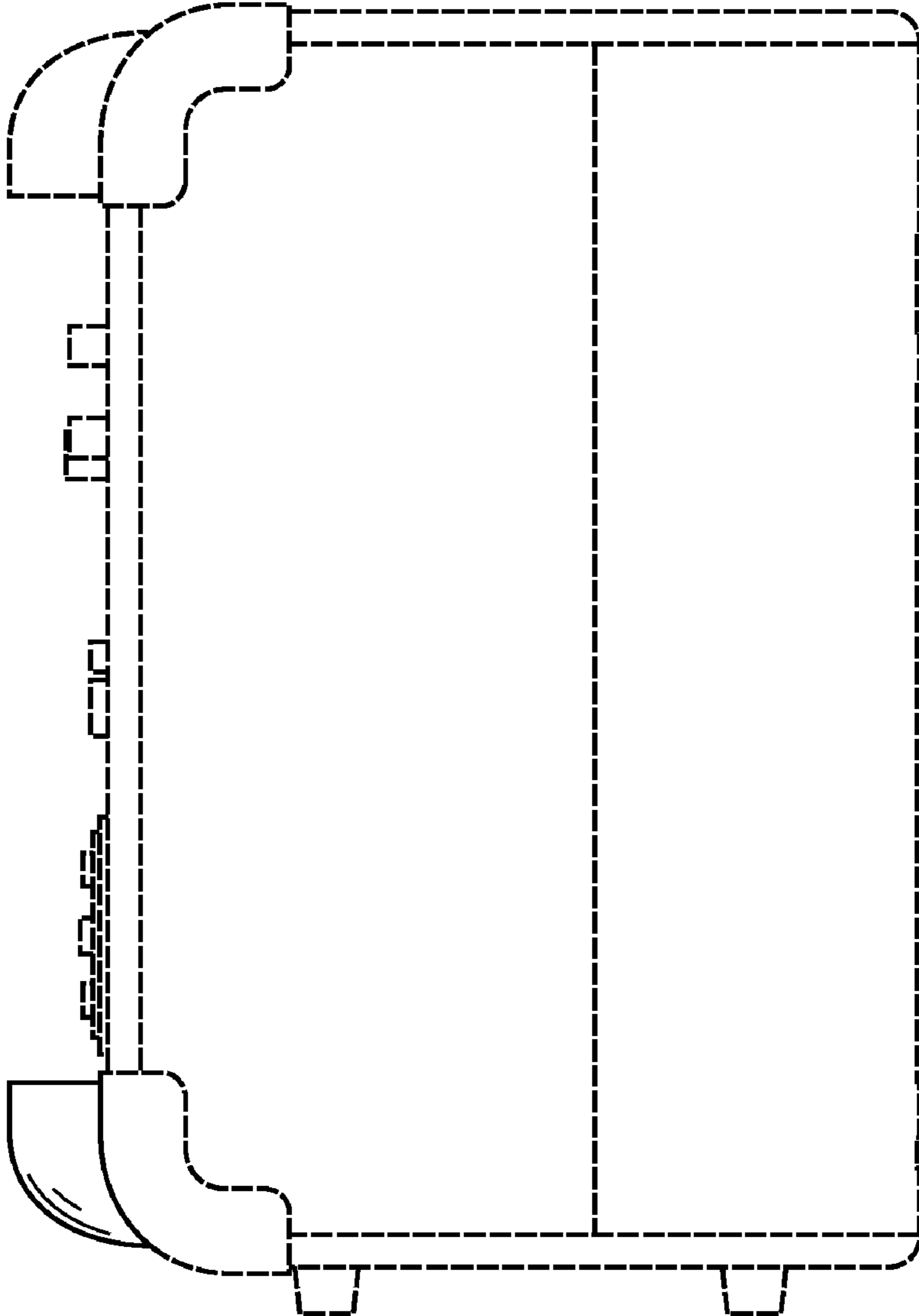


FIG. 7

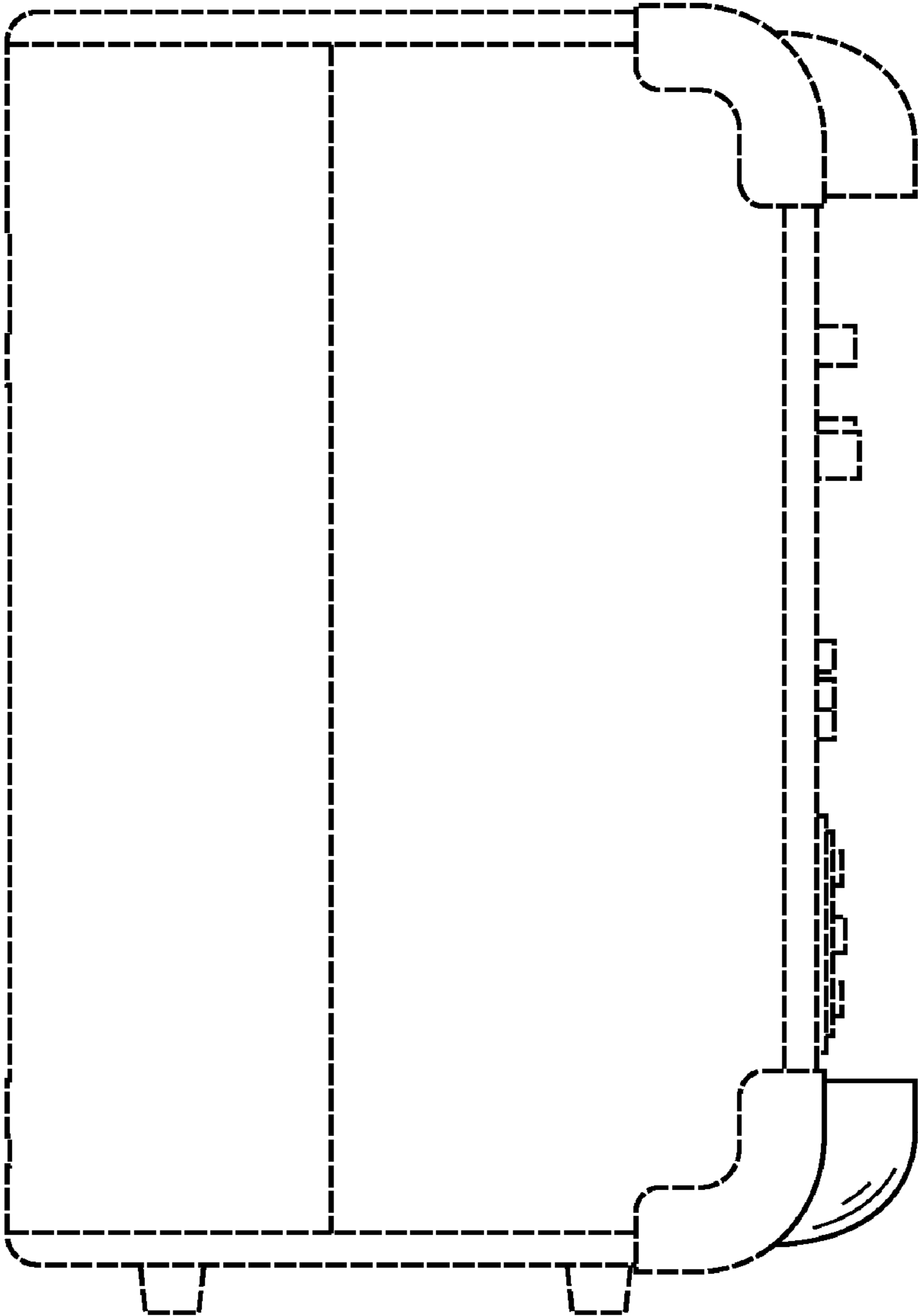


FIG. 8

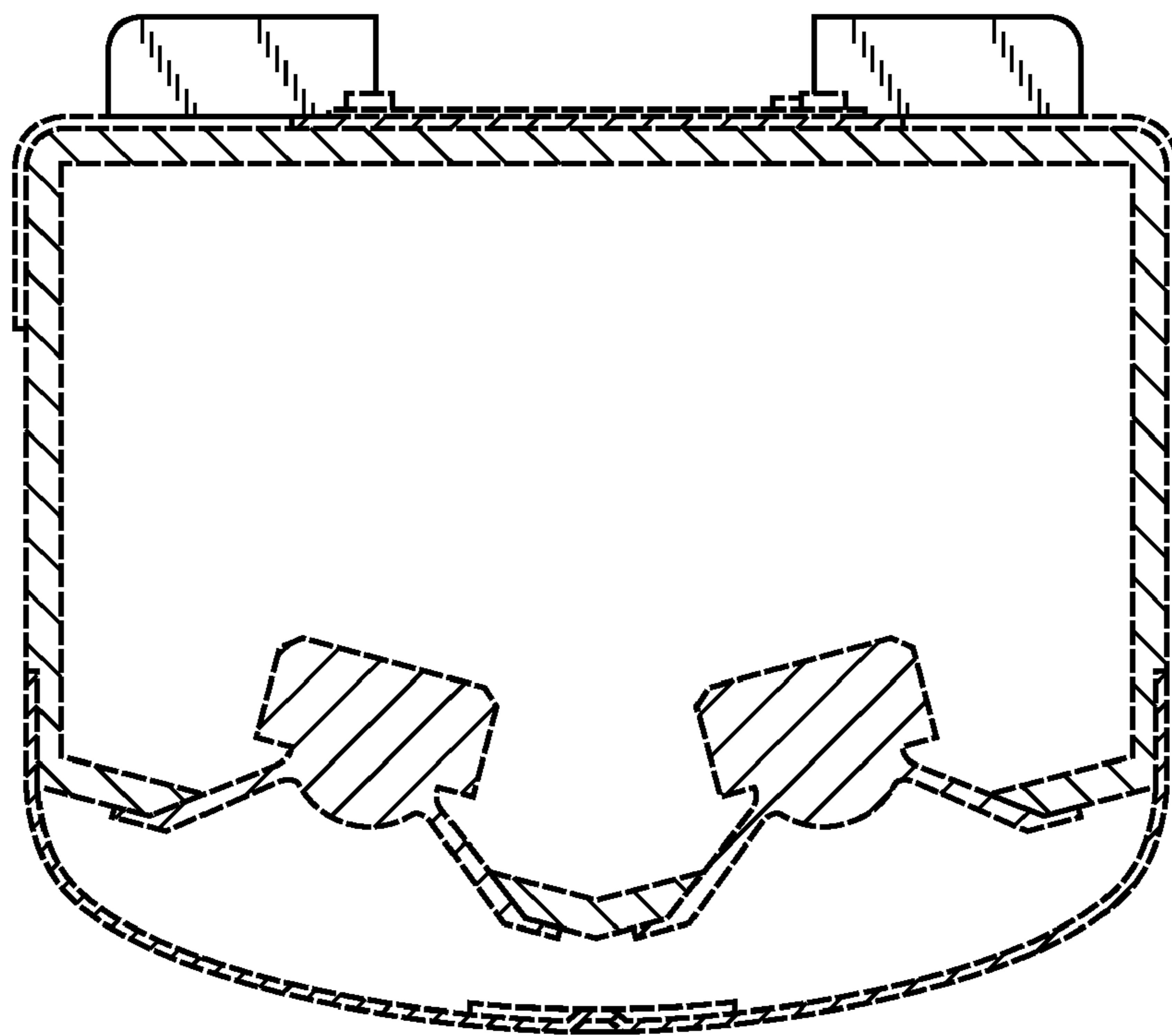


FIG. 9

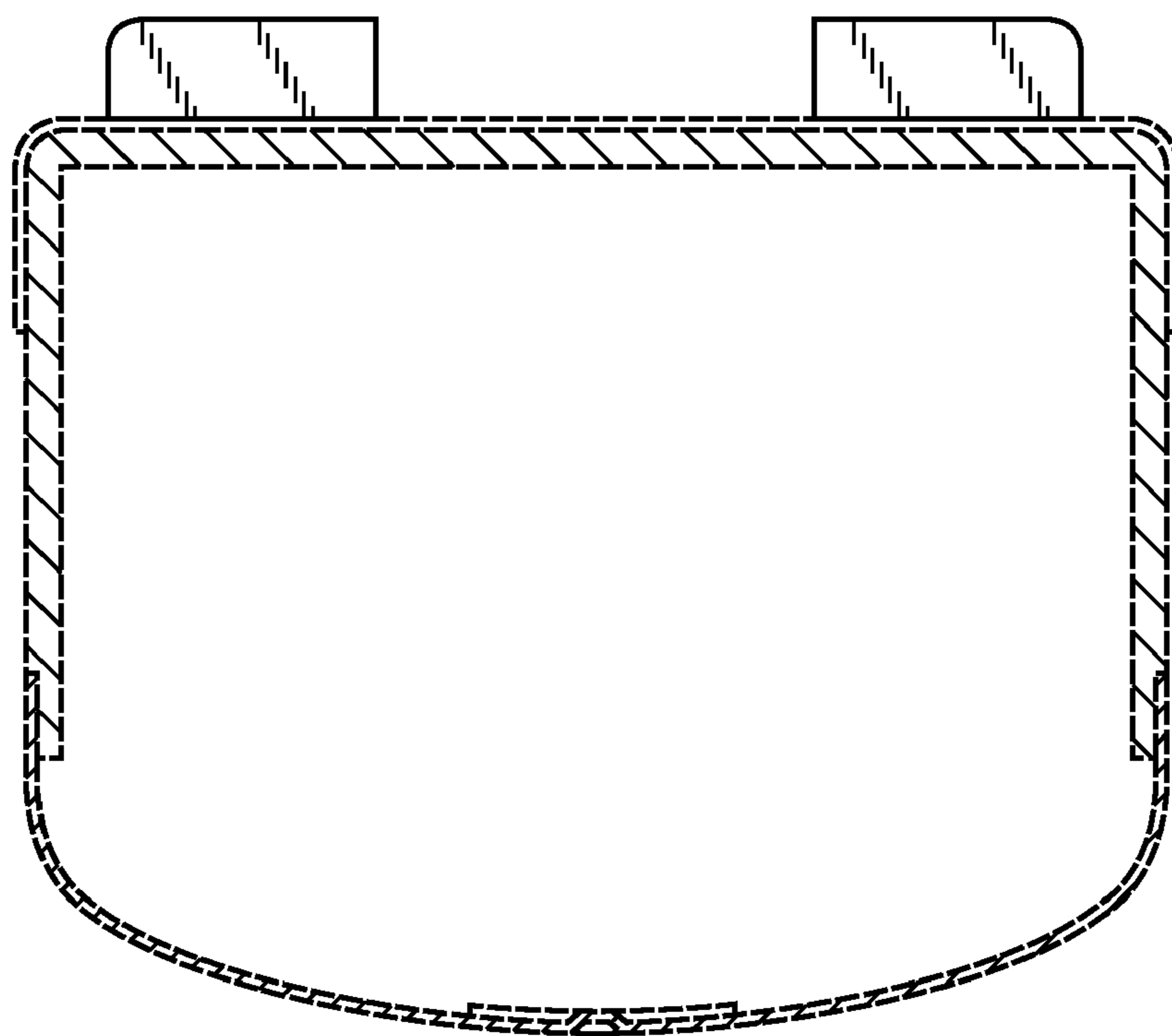


FIG. 10