



US00D638387S

(12) **United States Design Patent**
Honda

(10) **Patent No.:** **US D638,387 S**

(45) **Date of Patent:** **** May 24, 2011**

(54) **TELEVISION TUNER**

(75) Inventor: **Tatsuya Honda**, Kanagawa-ken (JP)

(73) Assignee: **Kabushiki Kaisha Toshiba**, Tokyo (JP)

(**) Term: **14 Years**

(21) Appl. No.: **29/382,134**

(22) Filed: **Dec. 29, 2010**

(30) **Foreign Application Priority Data**

Oct. 7, 2010 (JP) 2010-024085

(51) **LOC (9) Cl.** **14-03**

(52) **U.S. Cl.** **D14/125**

(58) **Field of Classification Search** D14/125-134,
D14/168, 188, 197, 198, 371, 374-377; 312/7.1,
312/7.2; 348/836, 838, 180, 184, 325, 739;
341/12; 349/58; 720/600, 619, 646, 647,
720/655; 455/347-351; 369/75.11, 75.21
See application file for complete search history.

(56) **References Cited**

U.S. PATENT DOCUMENTS

D489,731 S * 5/2004 Huang D14/203.7
D502,936 S * 3/2005 Oas D14/188
D530,342 S * 10/2006 Lee et al. D14/480.3
D533,863 S * 12/2006 Yamaji D14/167
D538,779 S * 3/2007 Nohara D14/167
D558,226 S * 12/2007 Honda D14/496
D558,788 S * 1/2008 Yu et al. D14/496
D567,798 S * 4/2008 Oka D14/167
D581,943 S * 12/2008 Pedersen et al. D14/496
D583,797 S * 12/2008 Obata D14/167

D596,061 S * 7/2009 Kurumagawa et al. D10/106
D618,203 S * 6/2010 Bradford D14/496
D620,479 S * 7/2010 Hao et al. D14/215

FOREIGN PATENT DOCUMENTS

JP D1228170 1/2005
JP D1229870 2/2005
JP D1307340 8/2007
JP D1349156 1/2009

* cited by examiner

Primary Examiner — Raphael Barkai

Assistant Examiner — Randall Gholson

(74) *Attorney, Agent, or Firm* — Banner & Witcoff, Ltd.

(57) **CLAIM**

The ornamental design for a television tuner, as shown and described.

DESCRIPTION

FIG. 1 is a front perspective view of a television tuner showing my new design,
FIG. 2 is a rear perspective view thereof,
FIG. 3 is a front elevational view thereof,
FIG. 4 is a rear elevational view thereof,
FIG. 5 is a top plan view thereof,
FIG. 6 is a bottom plan view thereof,
FIG. 7 is a right side elevational view thereof,
FIG. 8 is a left side elevational view thereof,
FIG. 9 is a front elevational view showing an article in an opened position thereof; and,
FIG. 10 is a perspective view showing the article in the opened position thereof.

1 Claim, 7 Drawing Sheets

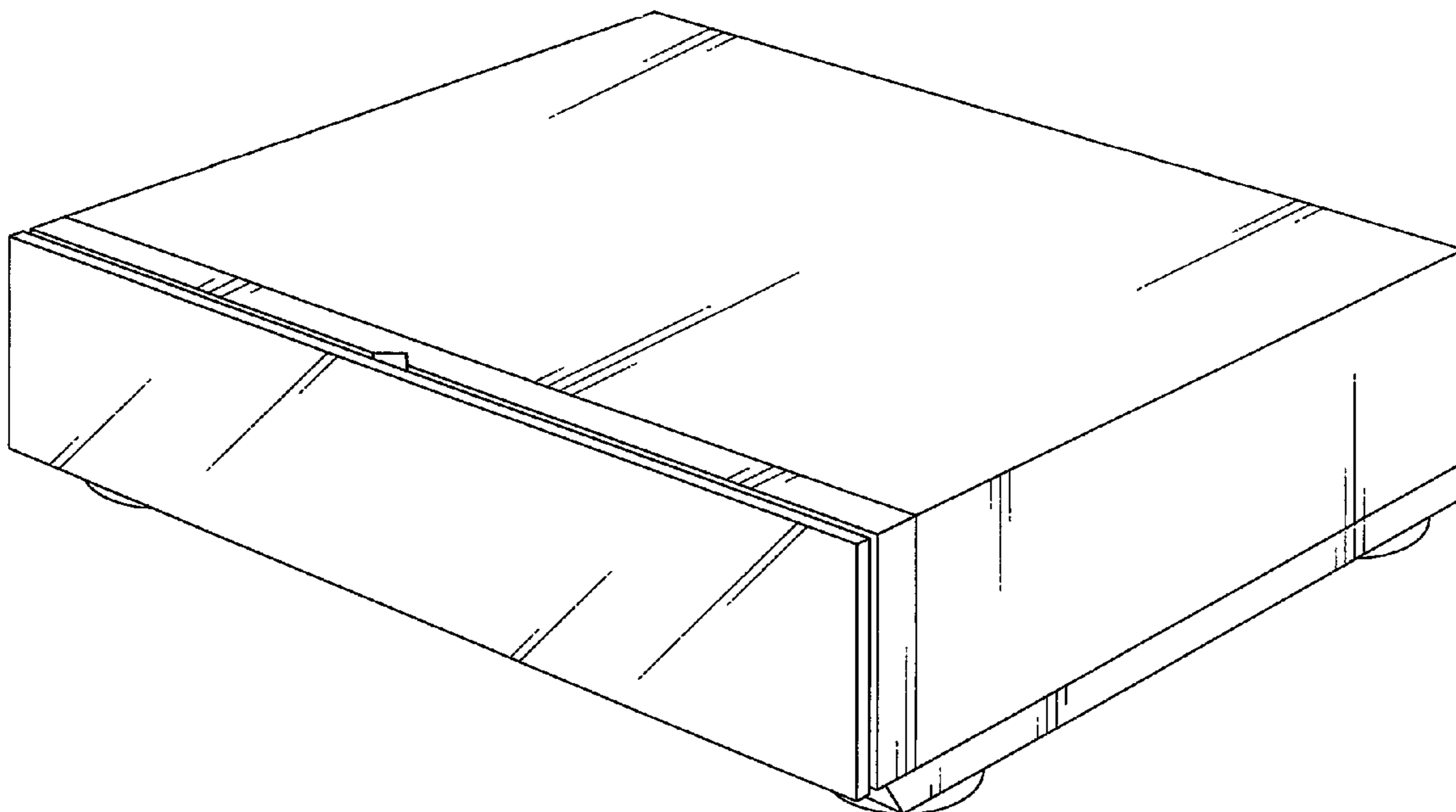


Fig. 1

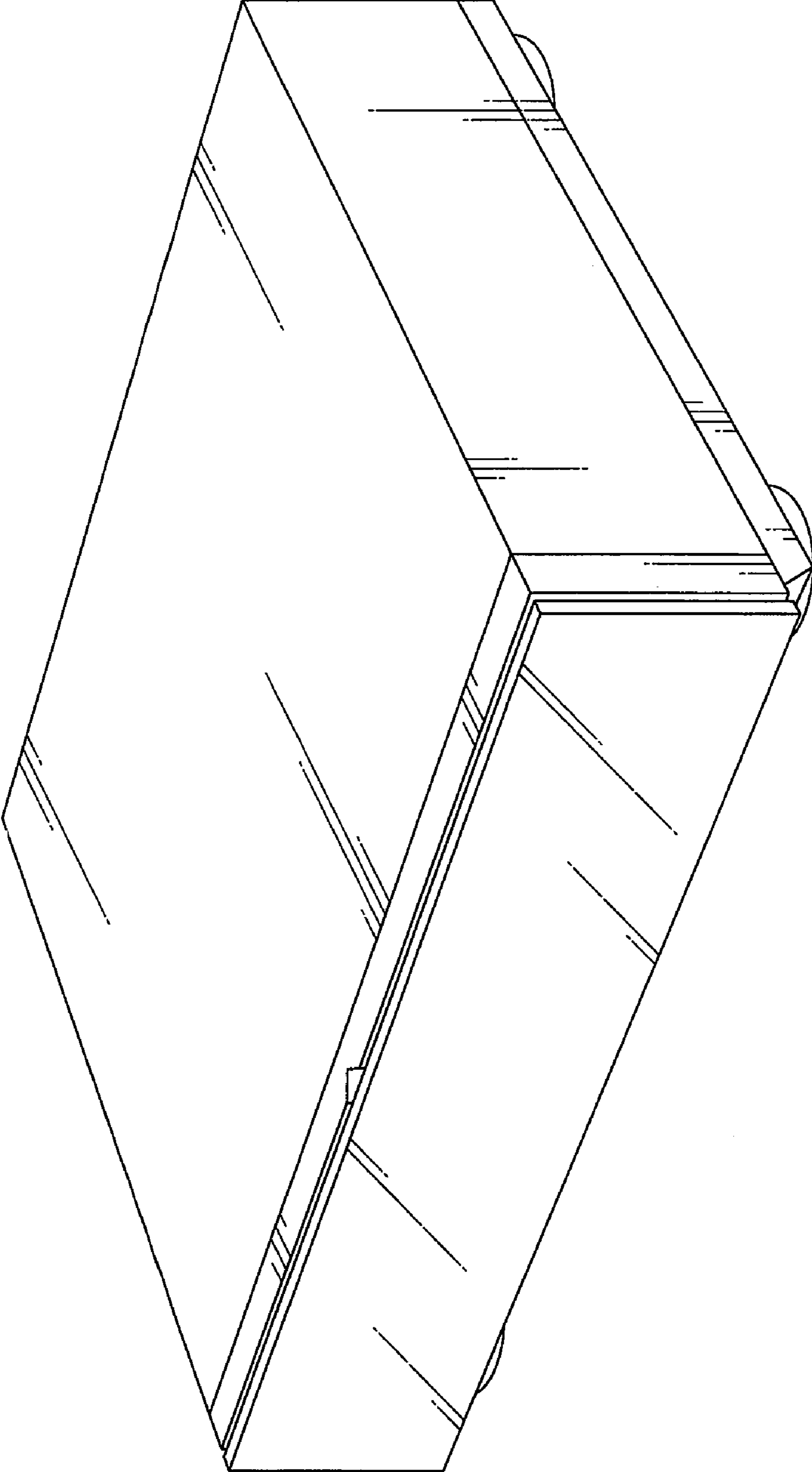


Fig. 2

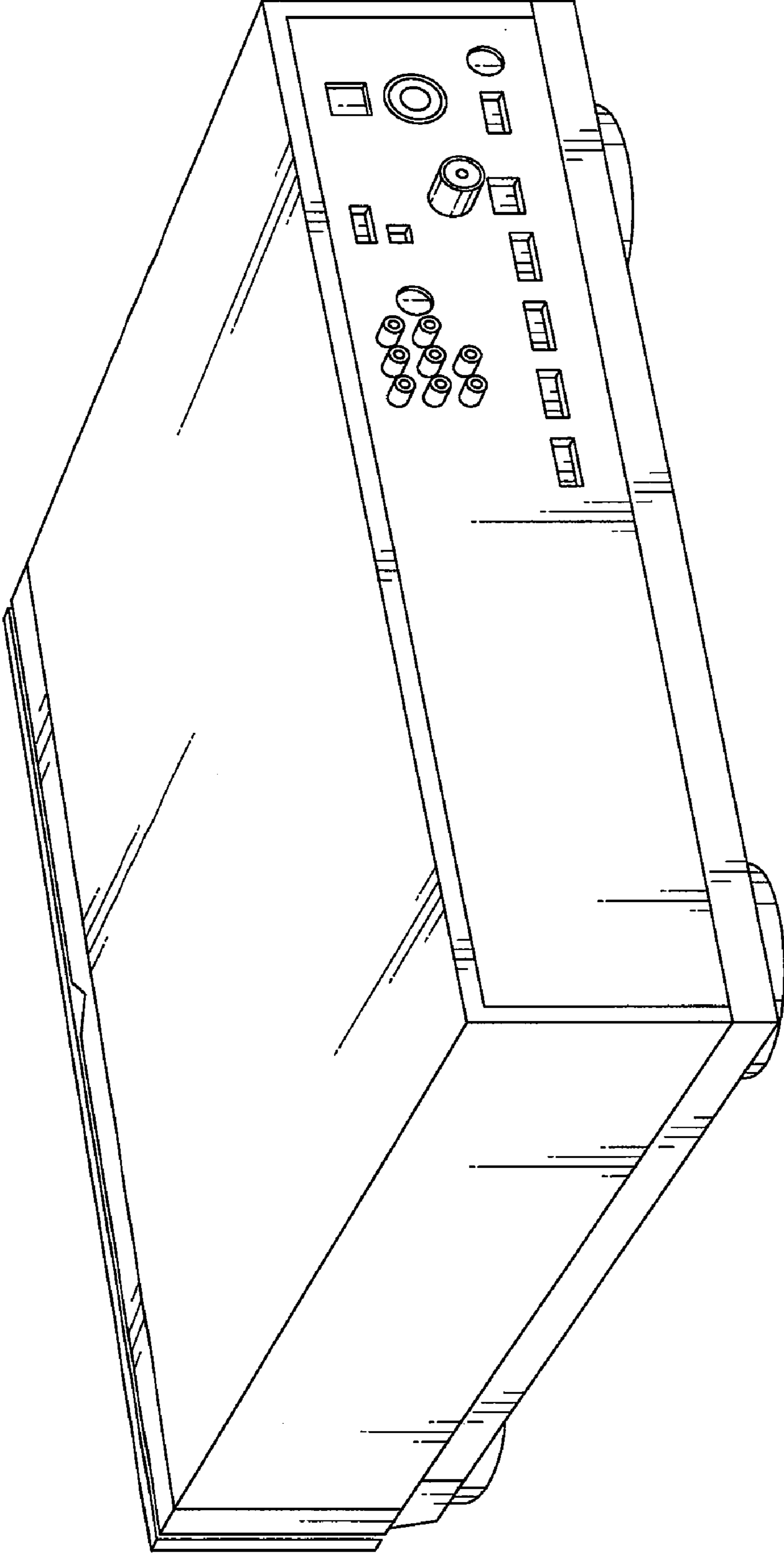


Fig. 3

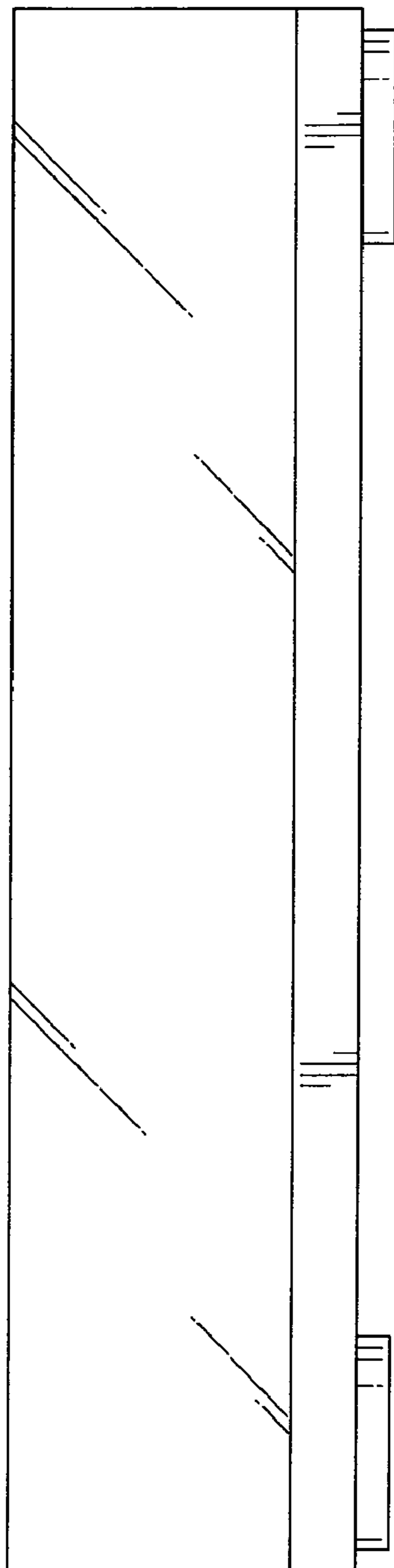


Fig. 4

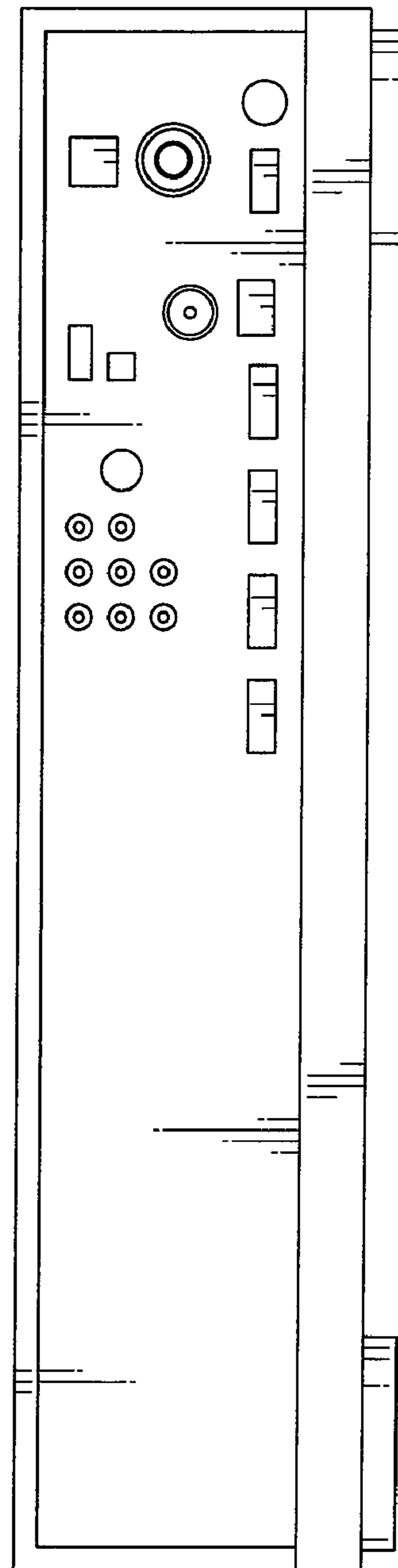


Fig. 5

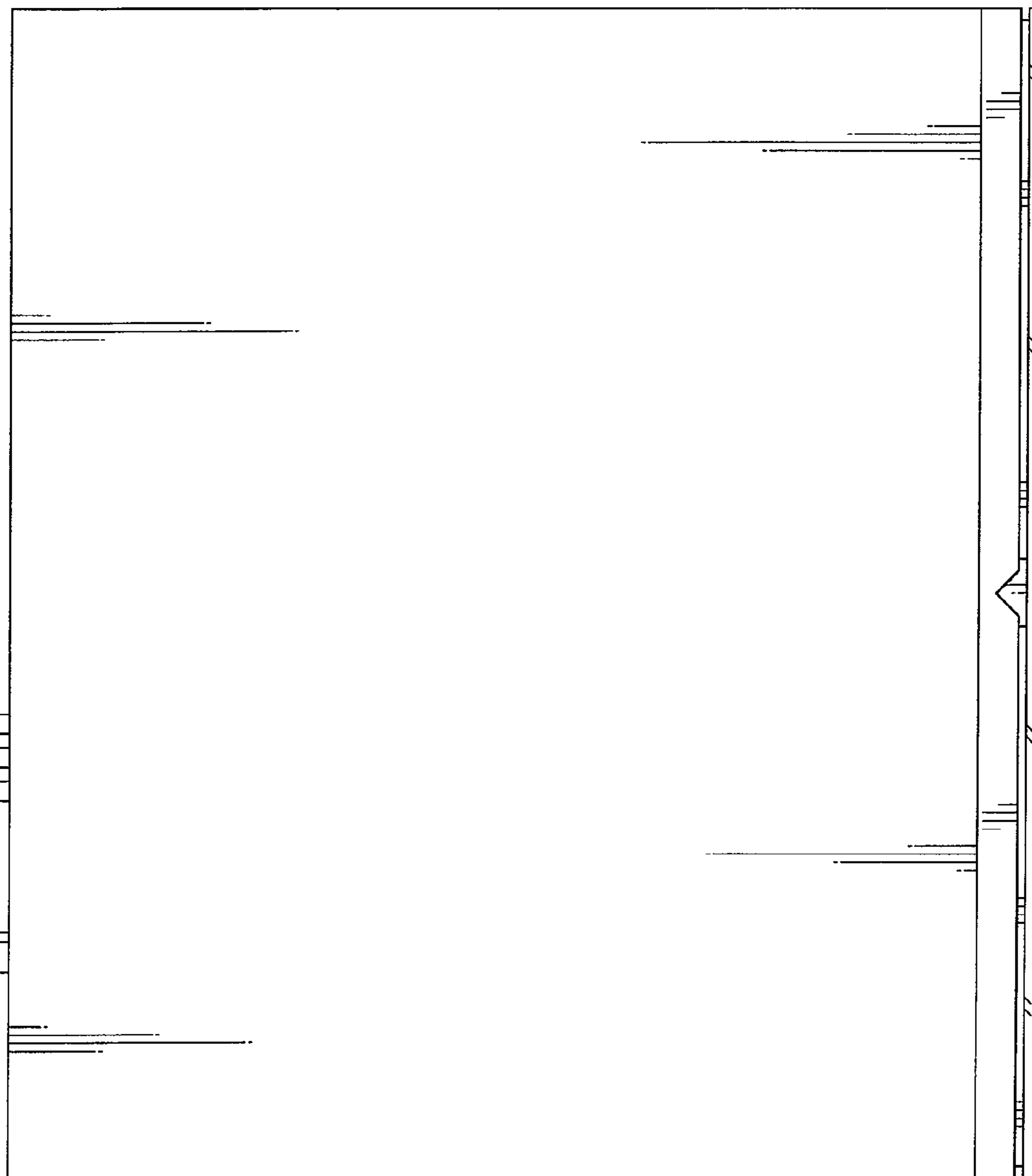


Fig. 6

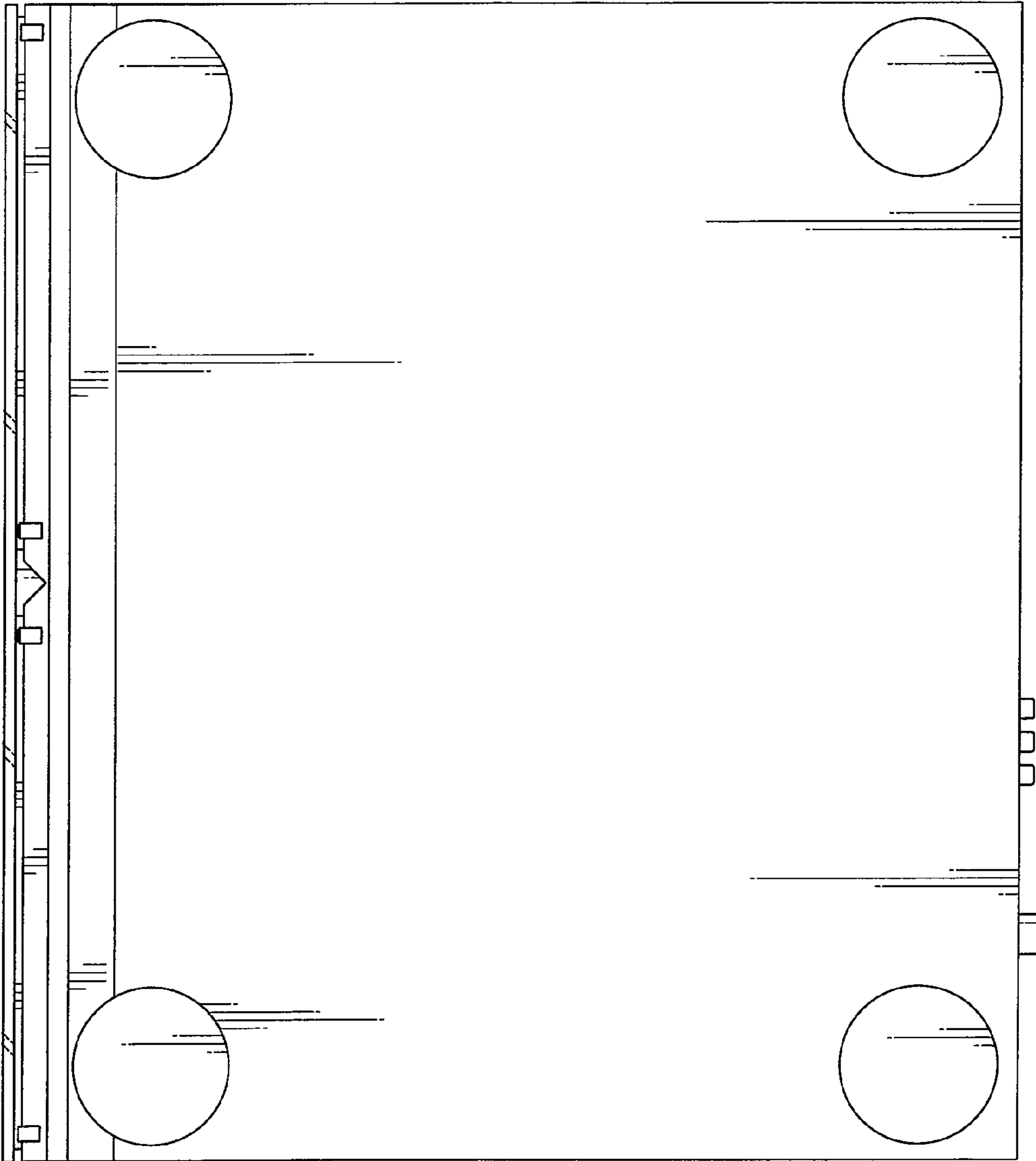


Fig. 7

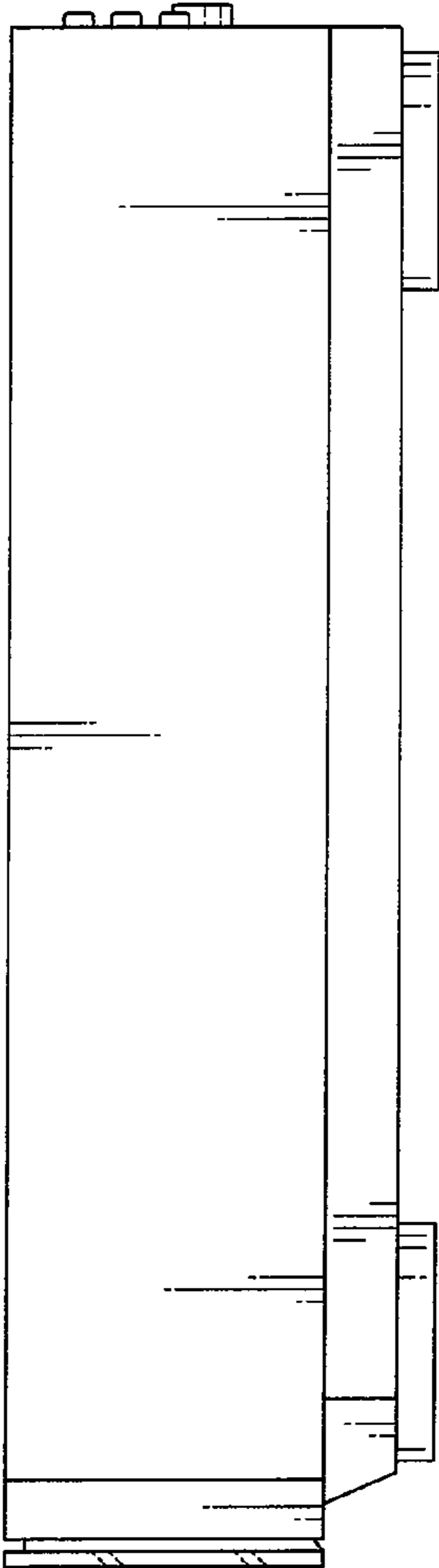


Fig. 8

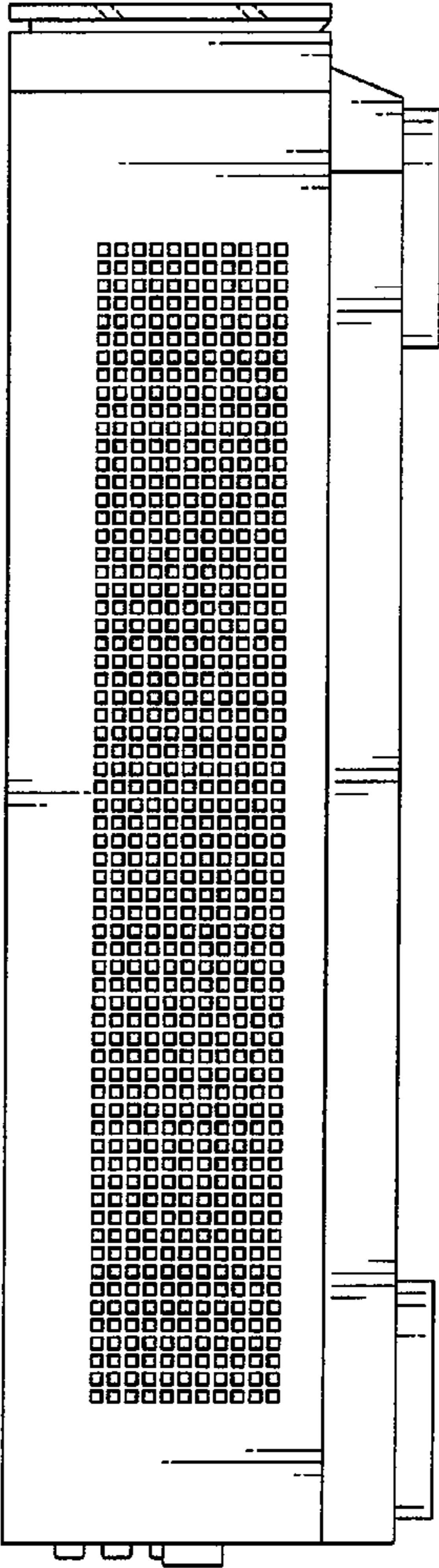


Fig. 9

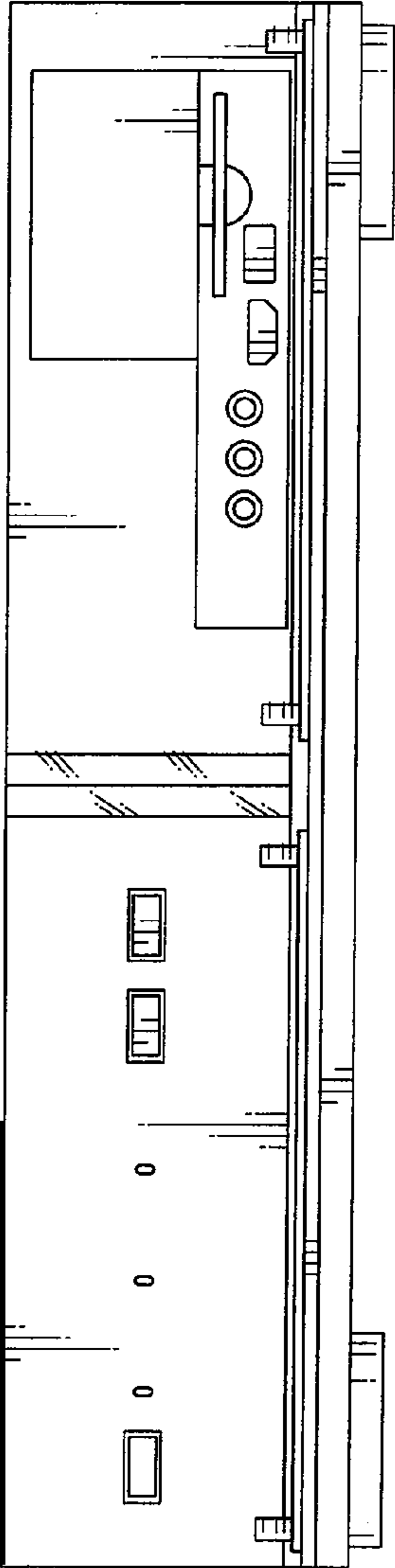


Fig. 10

