

US00D638386S

(12) **United States Design Patent**
Mosher

(10) **Patent No.:** **US D638,386 S**

(45) **Date of Patent:** **** May 24, 2011**

(54) **RECEIVER HOUSING**

(75) Inventor: **Brodie Mosher**, Niagara Falls (CA)

(73) Assignee: **Circus World Displays Limited**,
Niagara Falls, Ontario (CA)

(**) Term: **14 Years**

(21) Appl. No.: **29/375,100**

(22) Filed: **Sep. 17, 2010**

(51) **LOC (9) Cl.** **14-03**

(52) **U.S. Cl.** **D14/125**

(58) **Field of Classification Search** D14/125-13,
D14/168, 188, 197, 198, 371, 374-377; 312/7.1,
312/7.2; 348/836, 838, 180, 184, 325, 739;
341/12; 349/58; 720/600, 619, 646, 647,
720/655; 455/347-351; 369/75.11, 75.21

See application file for complete search history.

(56) **References Cited**

U.S. PATENT DOCUMENTS

3,950,054	A *	4/1976	Ward et al.	439/135
5,731,545	A *	3/1998	Reed	174/66
6,234,846	B1 *	5/2001	Lemut	439/638
6,366,671	B1 *	4/2002	Beavers	379/438
D511,529	S *	11/2005	Sassano	D14/203.3

D556,199	S *	11/2007	Song	D14/357
D596,177	S *	7/2009	Steele et al.	D14/358
D601,583	S *	10/2009	Andre et al.	D14/496
D601,585	S *	10/2009	Andre et al.	D14/496
D602,891	S *	10/2009	Luo	D14/125
D606,034	S *	12/2009	Suzuki	D14/125
D627,318	S *	11/2010	Petersen et al.	D14/125
2007/0064926	A1 *	3/2007	Kielian	379/423

* cited by examiner

Primary Examiner — Raphael Barkai

Assistant Examiner — Randall Gholson

(74) *Attorney, Agent, or Firm* — Hodgson Russ LLP

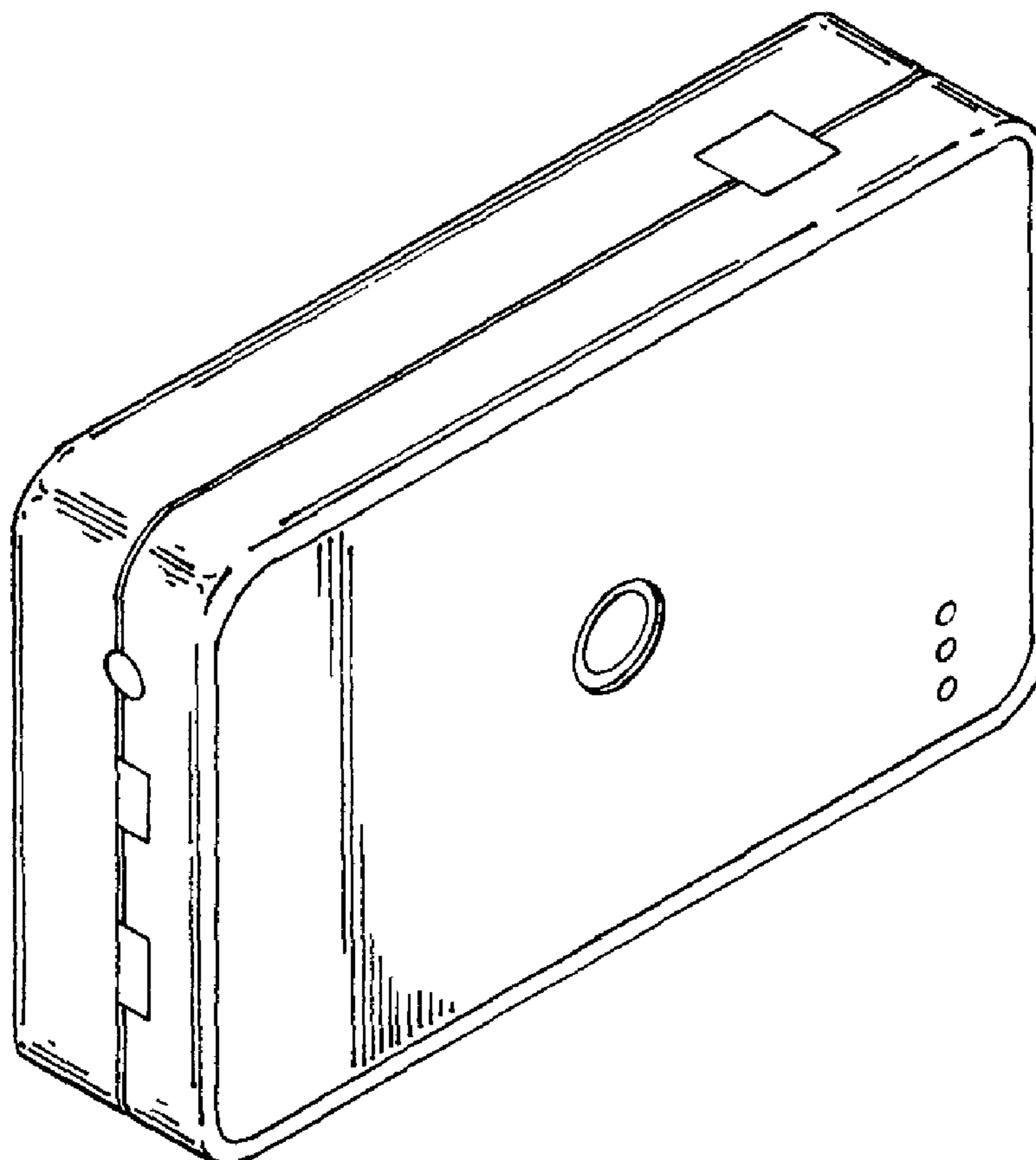
(57) **CLAIM**

The ornamental design for a receiver housing, as shown and described.

DESCRIPTION

FIG. 1 is a perspective view of a receiver housing showing my new design,
FIG. 2 is a front elevational view thereof;
FIG. 3 is a back elevational view thereof;
FIG. 4 is a left side elevational view;
FIG. 5 is a right side elevational view;
FIG. 6 is a top plan view; and,
FIG. 7 is bottom plan view.

1 Claim, 1 Drawing Sheet



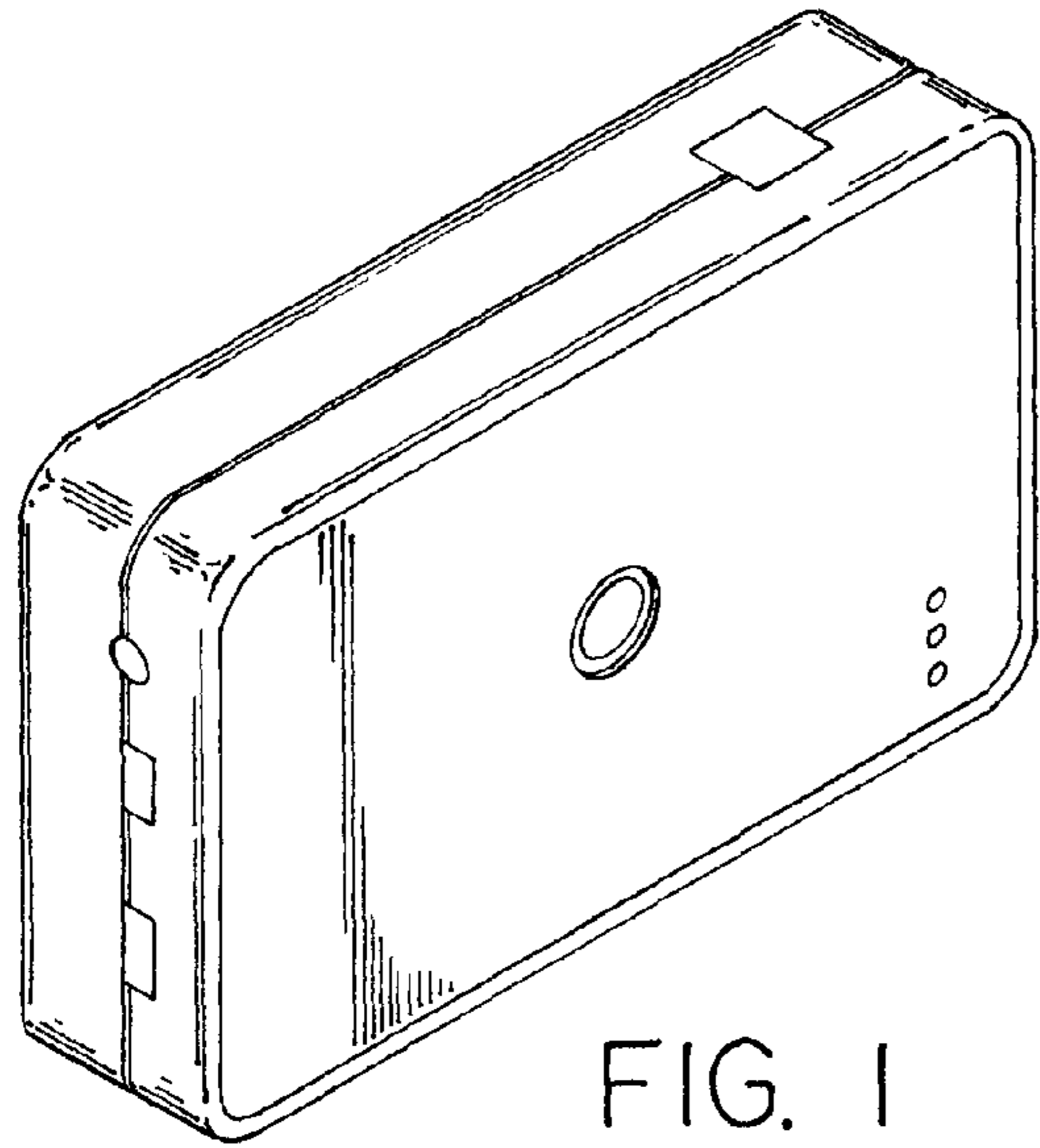


FIG. 1

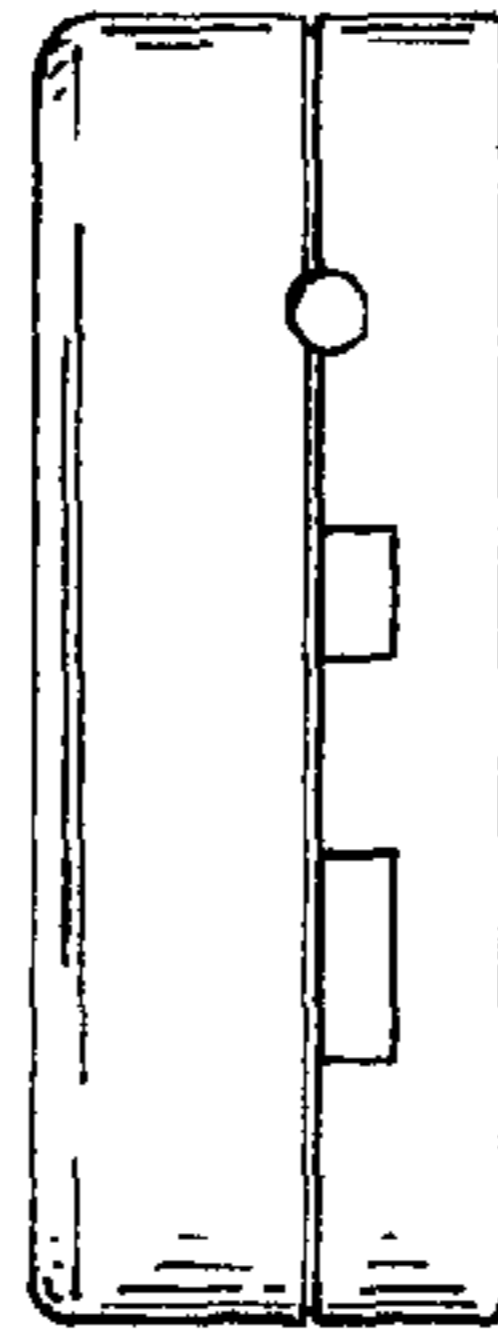


FIG. 4

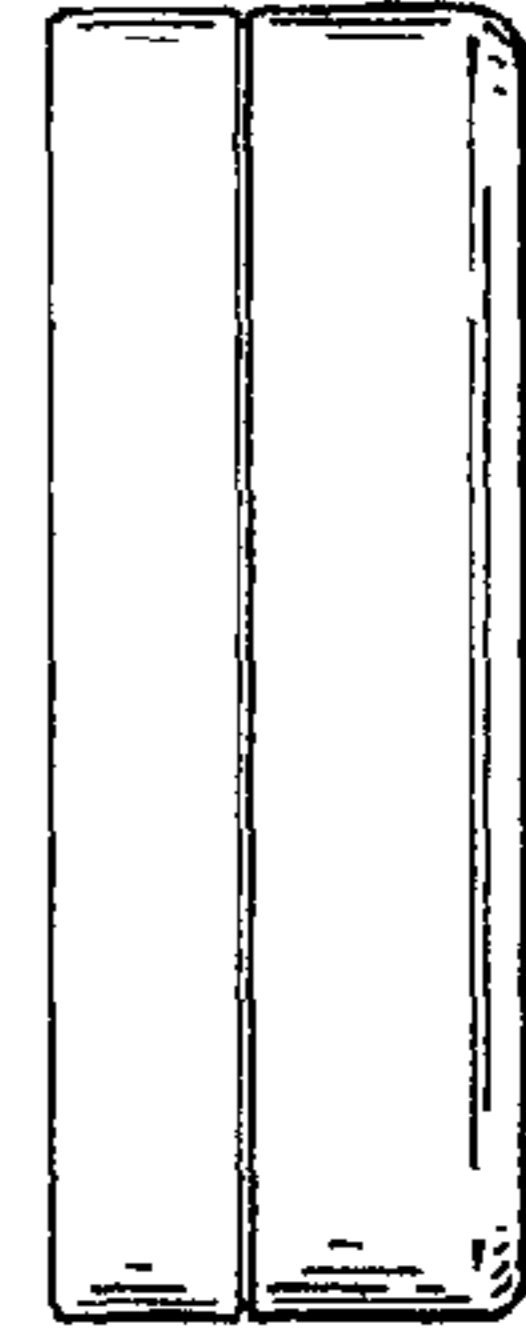


FIG. 5

FIG. 2

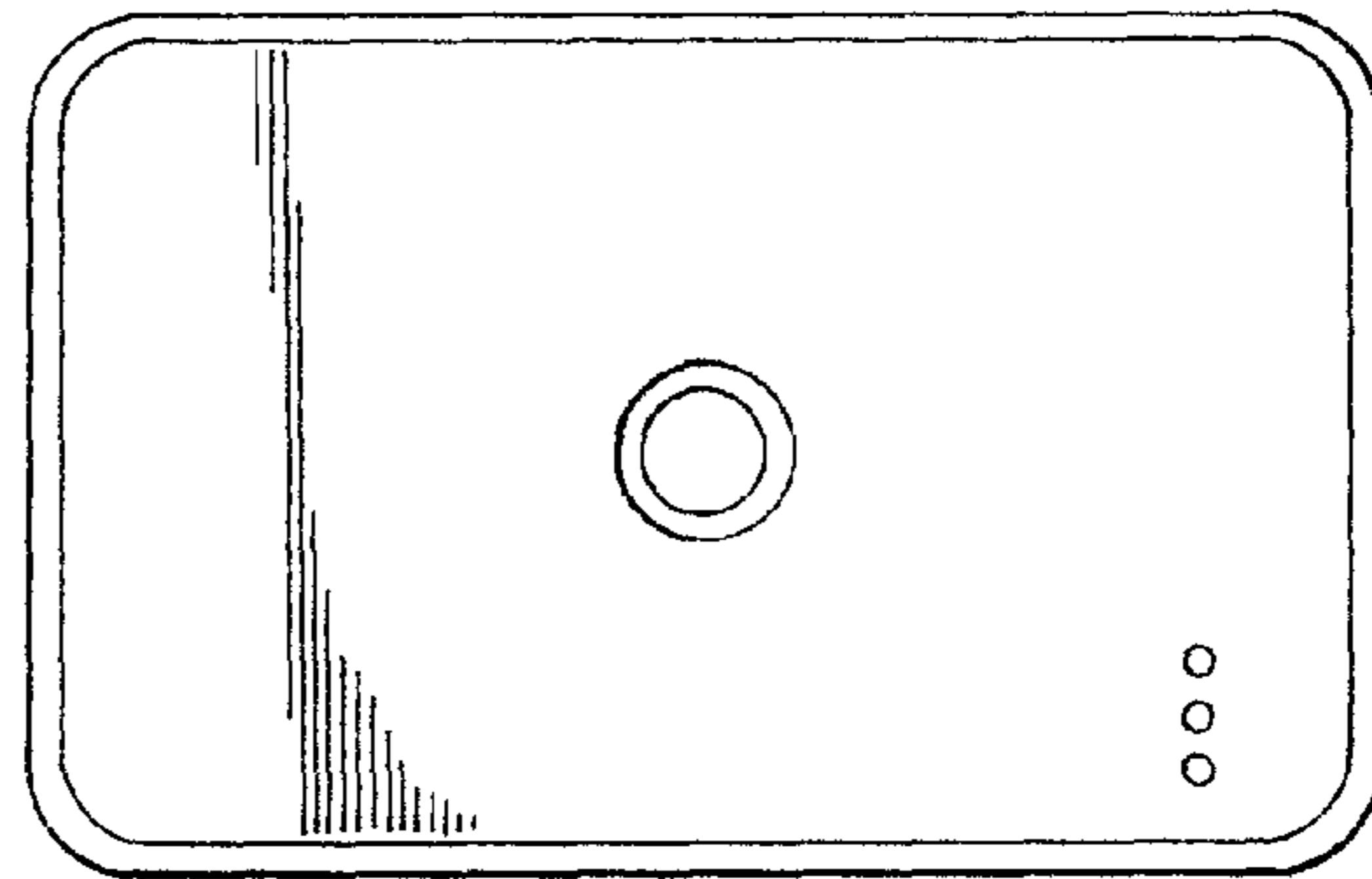


FIG. 3

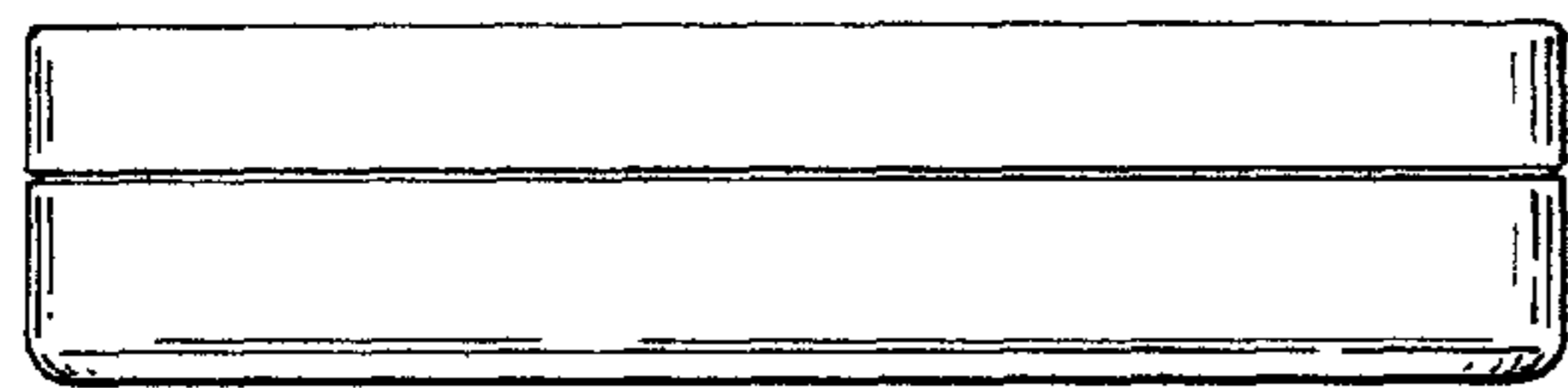
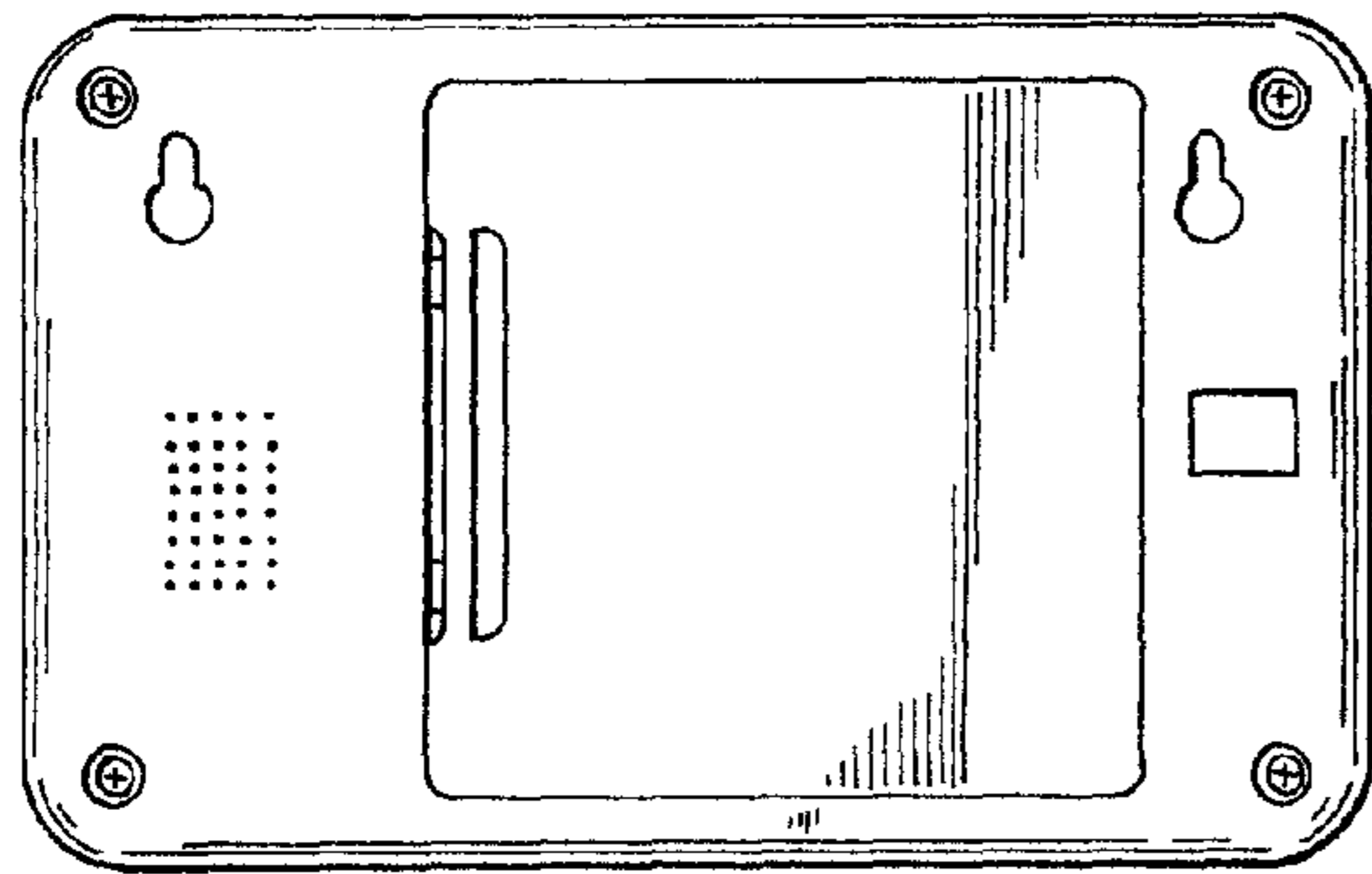


FIG. 7

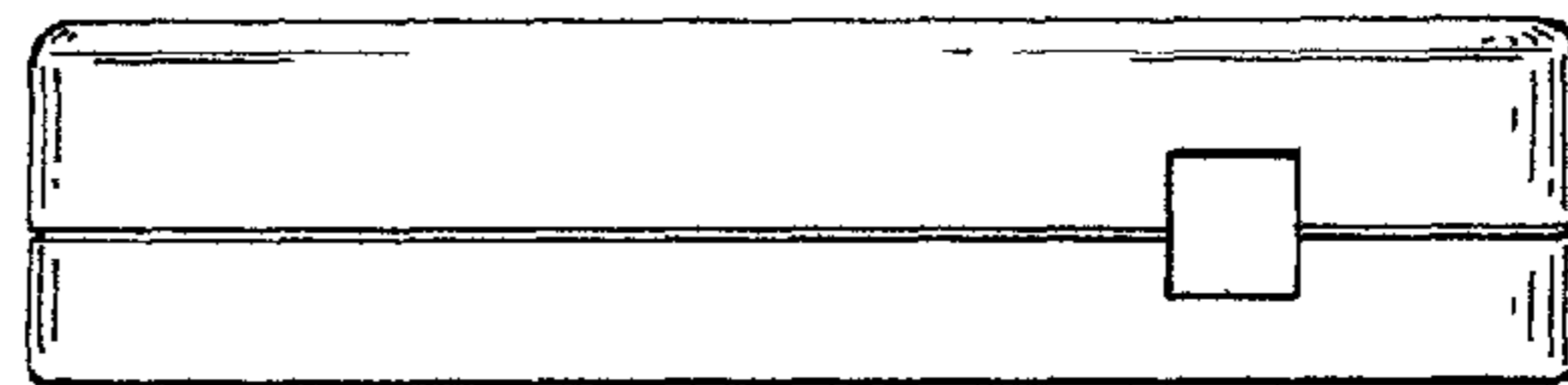


FIG. 6