



US00D638385S

(12) **United States Design Patent**  
**Wong**

(10) **Patent No.:** **US D638,385 S**

(45) **Date of Patent:** **\*\* May 24, 2011**

(54) **HD SET-TOP BOX**

(75) Inventor: **Andrew Wong**, Munich (DE)

(73) Assignee: **British Sky Broadcasting Limited** (GB)

(\*\*) Term: **14 Years**

(21) Appl. No.: **29/364,379**

(22) Filed: **Jun. 23, 2010**

(30) **Foreign Application Priority Data**

Dec. 23, 2009 (EM) ..... 001652009

(51) **LOC (9) Cl.** ..... **14-03**

(52) **U.S. Cl.** ..... **D14/125**

(58) **Field of Classification Search** ..... D14/125,  
D14/357-358, 496, 188, 242, 432; D13/184;  
348/10, 460, 706, 731; 340/825.03; 455/6.1,  
455/6.2; 312/223.1, 7.2  
See application file for complete search history.

(56) **References Cited**

**U.S. PATENT DOCUMENTS**

D511,151 S \* 11/2005 Wells ..... D14/125

D566,065 S \* 4/2008 Whittaker et al. .... D14/125

D566,667 S \* 4/2008 Whittaker et al. .... D14/125

D566,668 S \* 4/2008 Whittaker et al. .... D14/125

D571,743 S \* 6/2008 Tu ..... D14/125

D577,693 S \* 9/2008 King et al. .... D14/125

D584,253 S \* 1/2009 Whittaker et al. .... D14/125

\* cited by examiner

*Primary Examiner* — Raphael Barkai

*Assistant Examiner* — Randall Gholson

(74) *Attorney, Agent, or Firm* — Kilpatrick, Townsend and Stockton LLP.; M. Henry Heines

(57) **CLAIM**

The ornamental design for a HD set-top box, as shown and described.

**DESCRIPTION**

FIG. 1 is a perspective view of a HD set-top box showing my new design;

FIG. 2 is a front elevation view thereof;

FIG. 3 is a rear elevation view thereof;

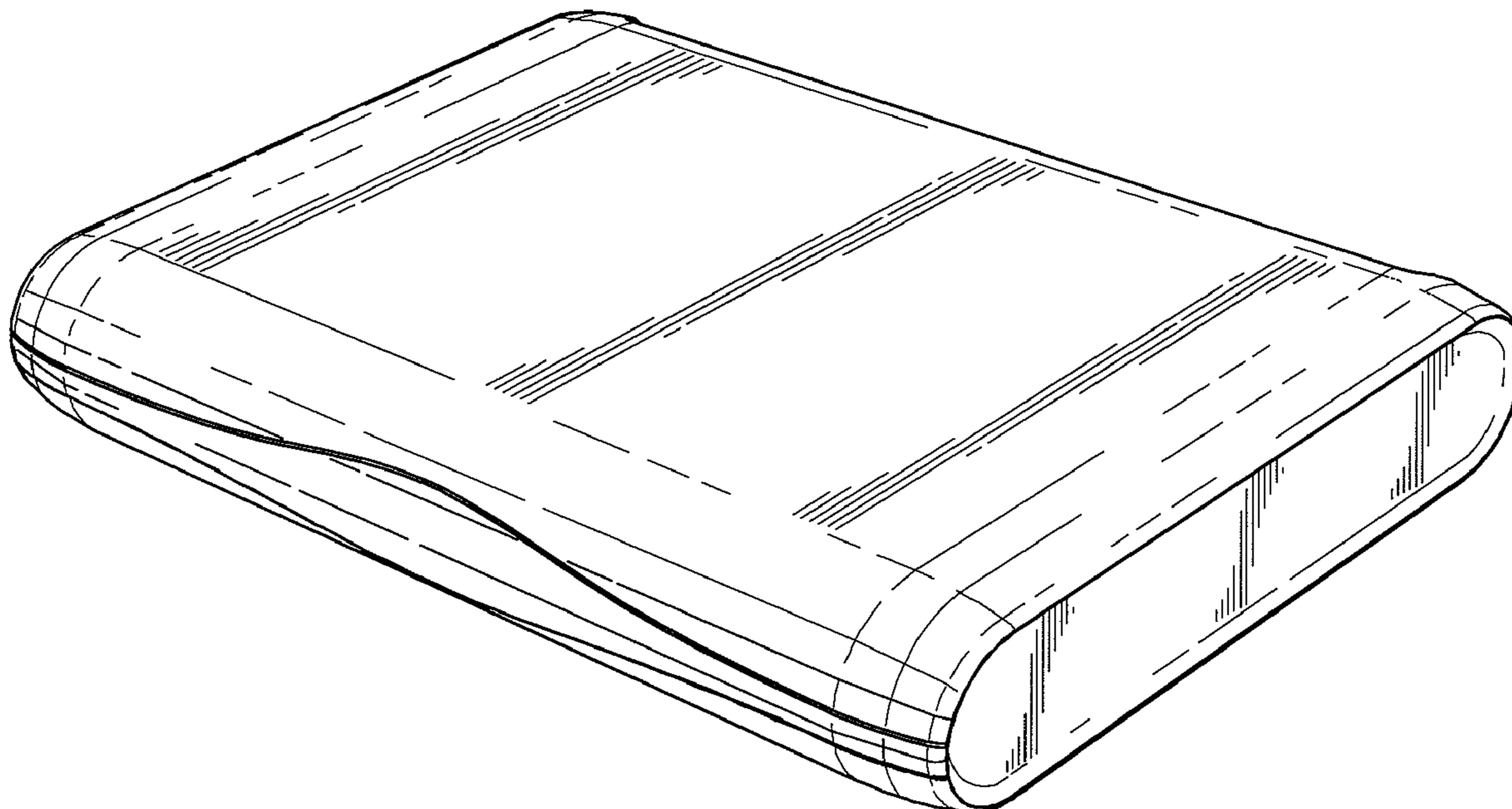
FIG. 4 is a left side view thereof;

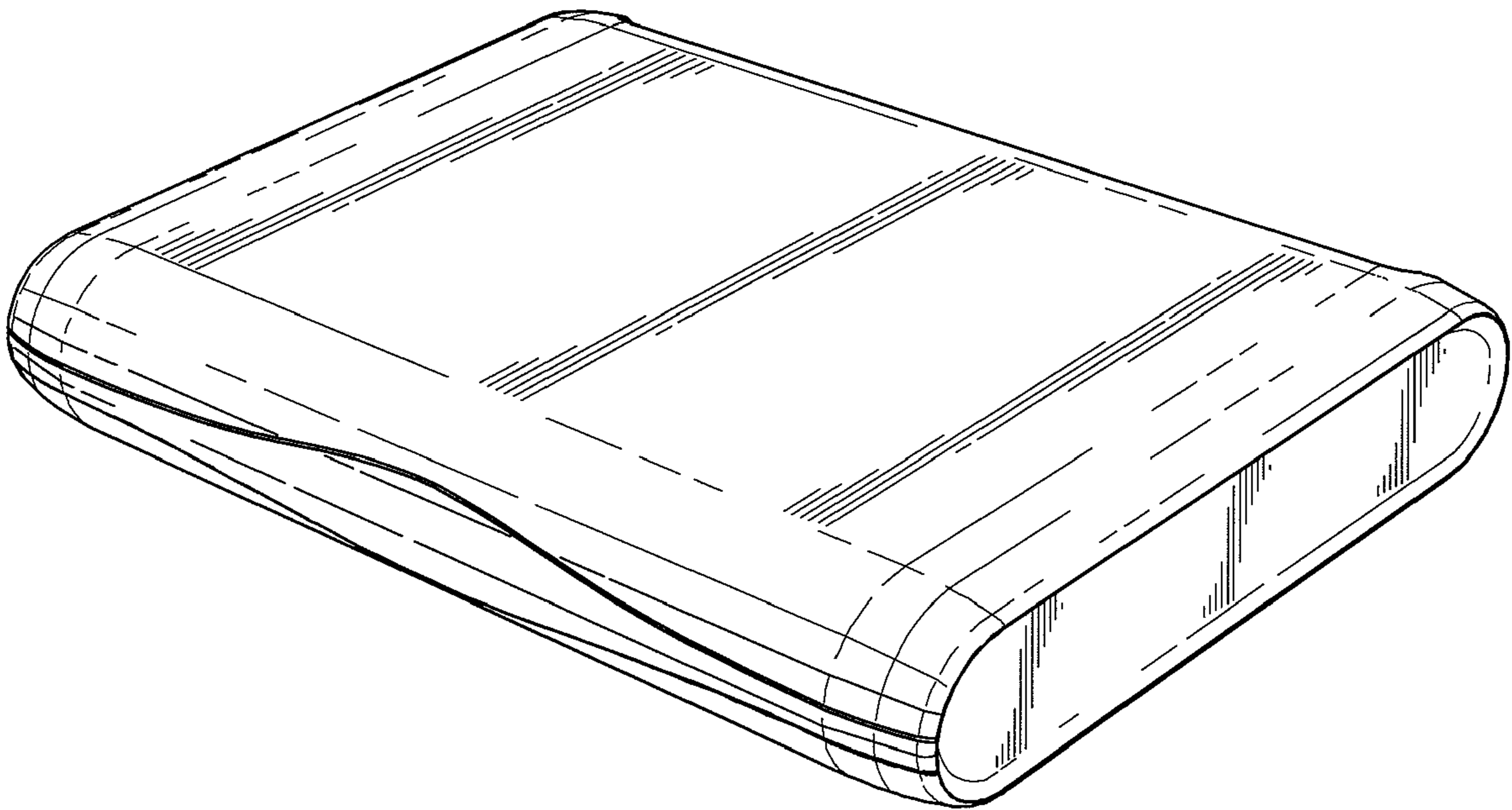
FIG. 5 is a right side view thereof;

FIG. 6 is a top plan view thereof; and,

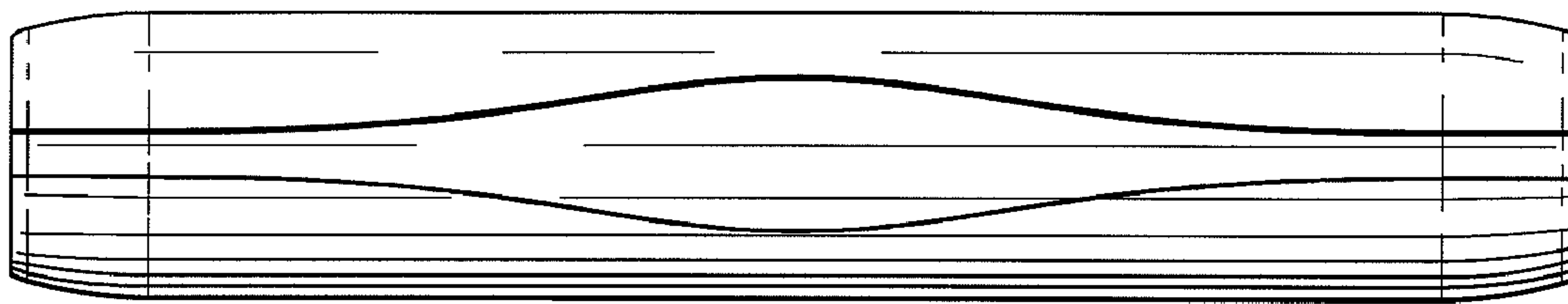
FIG. 7 is a bottom plan view thereof.

**1 Claim, 3 Drawing Sheets**

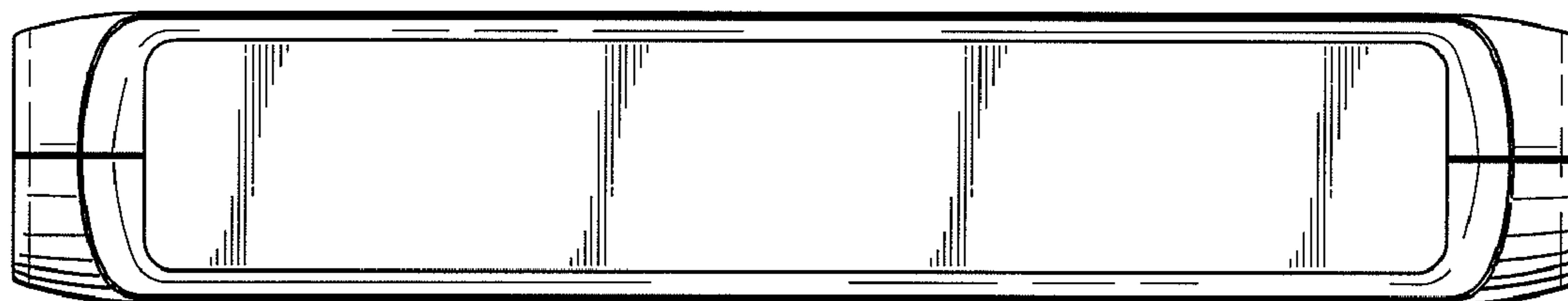




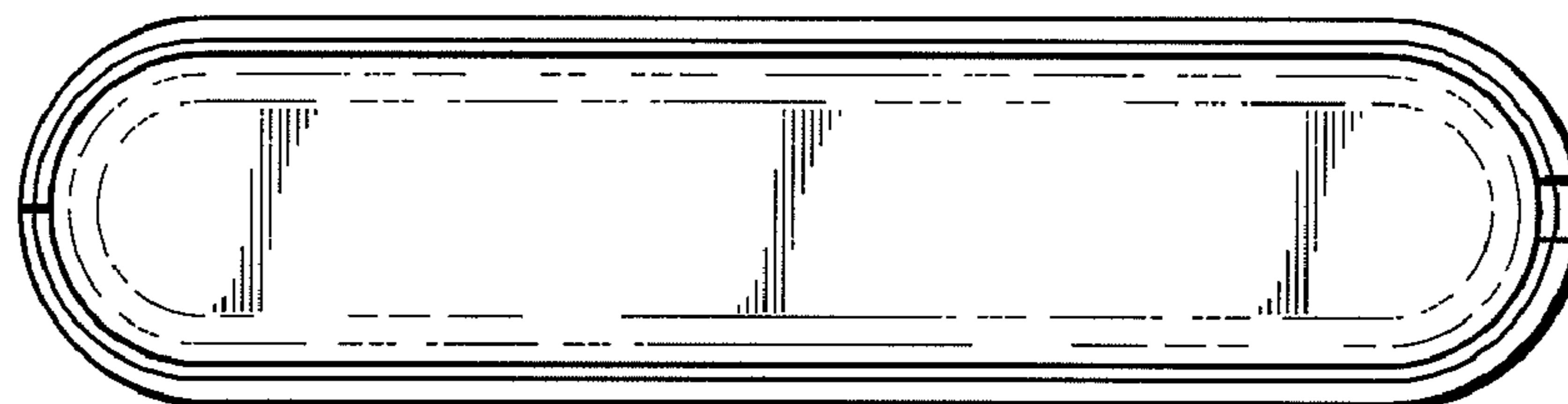
*FIG. 1*



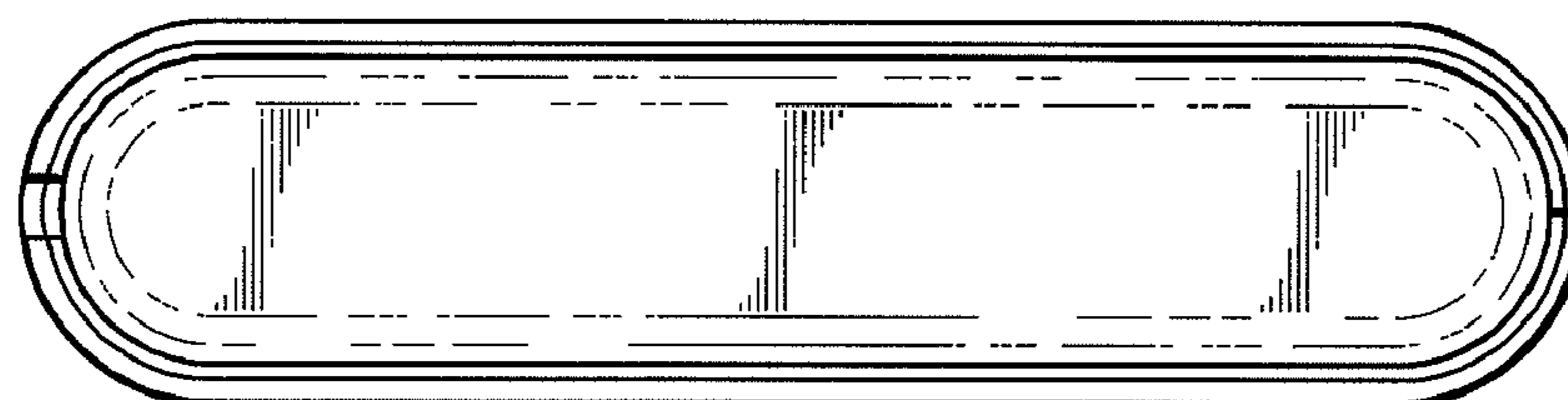
*FIG. 2*



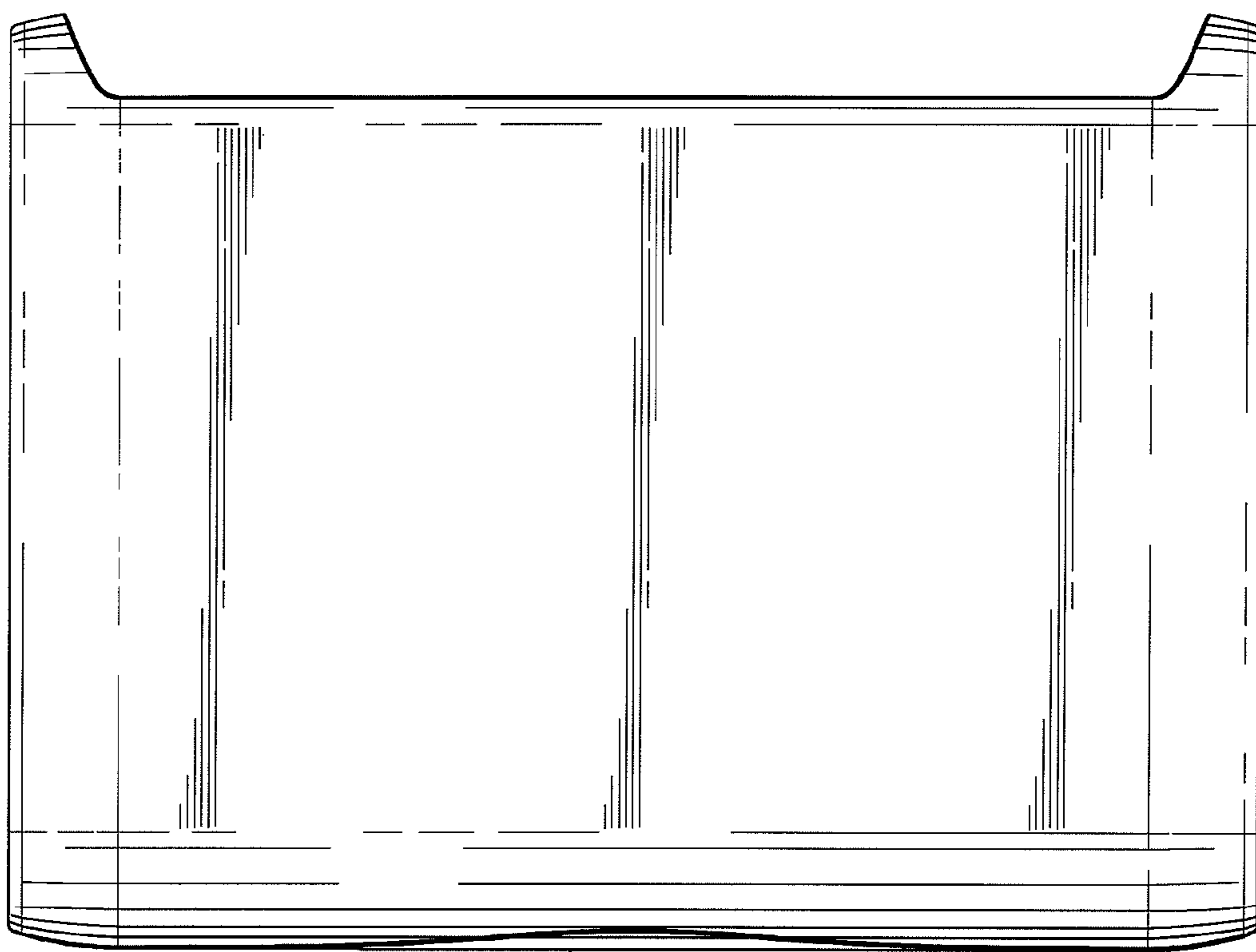
*FIG. 3*



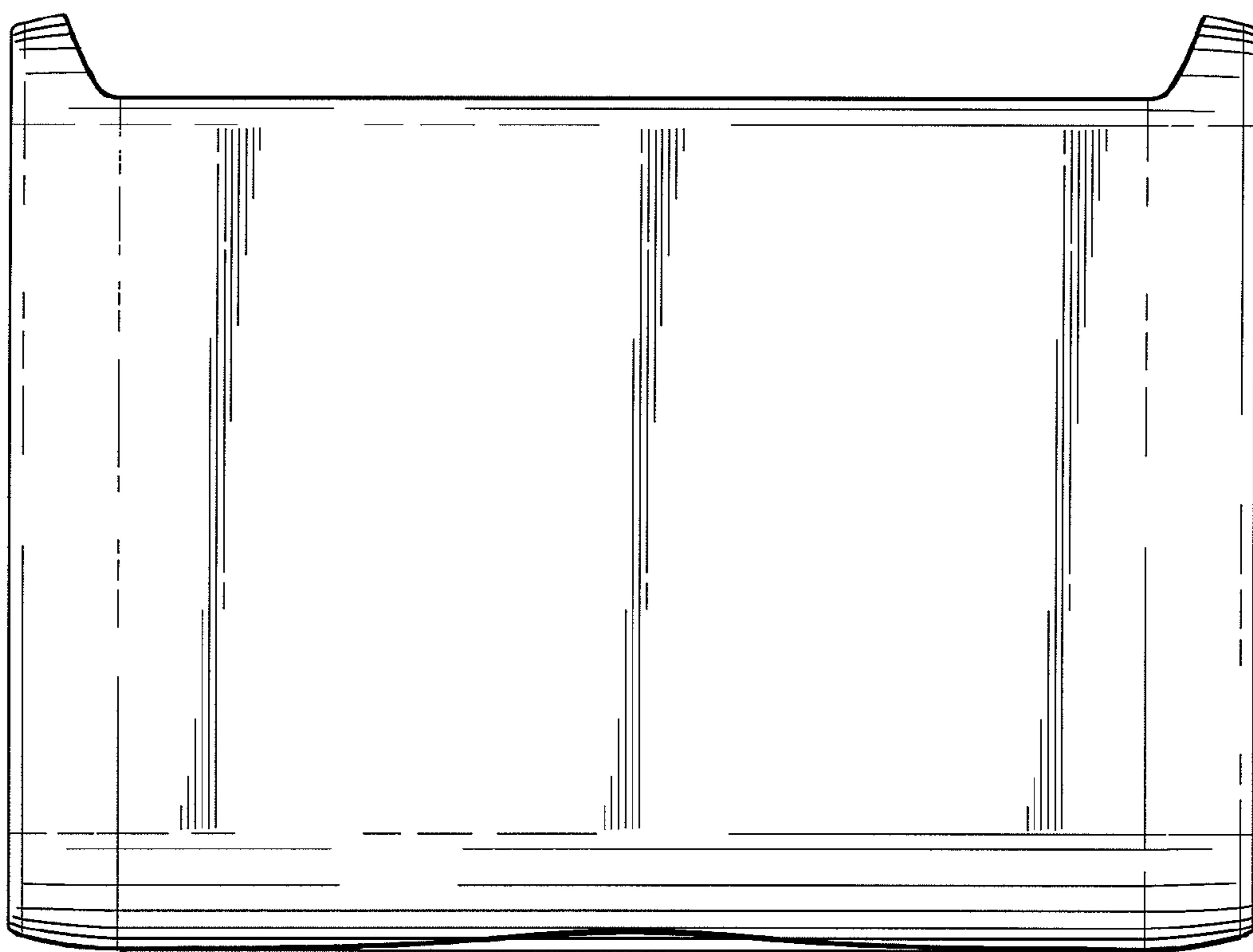
*FIG. 4*



*FIG. 5*



*FIG. 6*



*FIG. 7*