



US00D638384S

(12) **United States Design Patent**
Ishibashi

(10) **Patent No.:** **US D638,384 S**

(45) **Date of Patent:** **** May 24, 2011**

(54) **SET-TOP BOX**

(75) Inventor: **Hiroshi Ishibashi**, Osaka (JP)

(73) Assignee: **Funai Electric Co., Ltd.**, Tokyo (JP)

(**) Term: **14 Years**

(21) Appl. No.: **29/353,201**

(22) Filed: **Jan. 5, 2010**

(51) **LOC (9) Cl.** **14-03**

(52) **U.S. Cl.** **D14/125**

(58) **Field of Classification Search** D14/125,
D14/357-358, 496, 188, 242, 432; D13/184;
348/10, 460, 706, 731; 340/825.03; 455/6.1,
455/6.2; 312/223.1, 7.2

See application file for complete search history.

(56) **References Cited**

U.S. PATENT DOCUMENTS

D608,310 S *	1/2010	Cho et al.	D14/125
D608,744 S *	1/2010	Kim et al.	D14/125
D610,102 S *	2/2010	Cho et al.	D14/125
D610,103 S *	2/2010	Miller et al.	D14/125
D613,703 S *	4/2010	Chen	D14/125

D616,398 S * 5/2010 Miller et al. D14/125

* cited by examiner

Primary Examiner — Raphael Barkai

Assistant Examiner — Randall Gholson

(74) *Attorney, Agent, or Firm* — Sughrue Mion, PLLC

(57) **CLAIM**

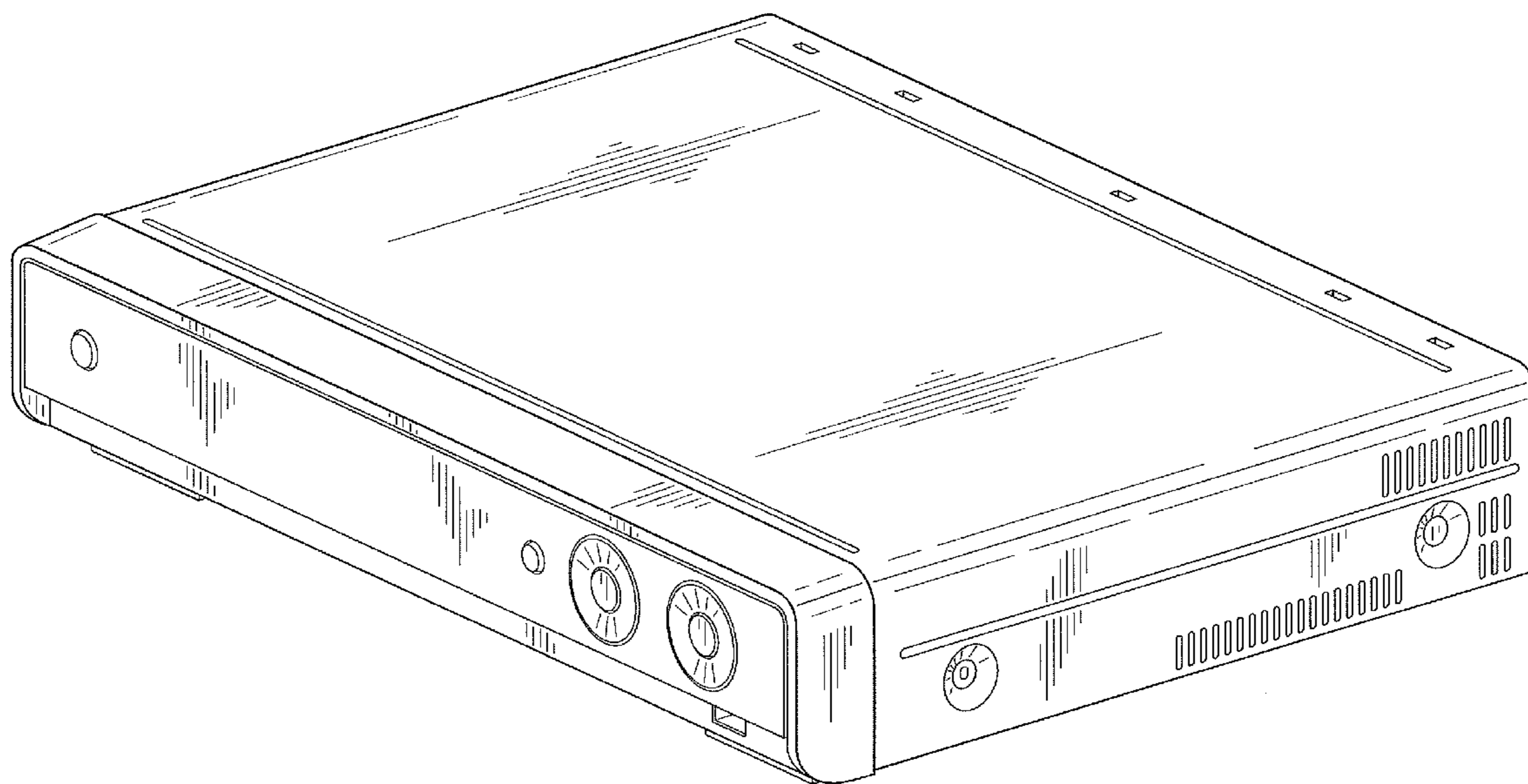
The ornamental design for a set top box, as shown and described.

DESCRIPTION

FIG. 1 is a perspective view of top, front and right side of a set-top box showing my new design;
FIG. 2 is a front view thereof;
FIG. 3 is a rear view thereof;
FIG. 4 is a left side view thereof;
FIG. 5 is a right side view thereof;
FIG. 6 is a top plan view thereof; and,
FIG. 7 is a bottom view thereof.

The portions of the article in broken lines are shown for illustrative purposes only and form no part of the claimed design.

1 Claim, 5 Drawing Sheets



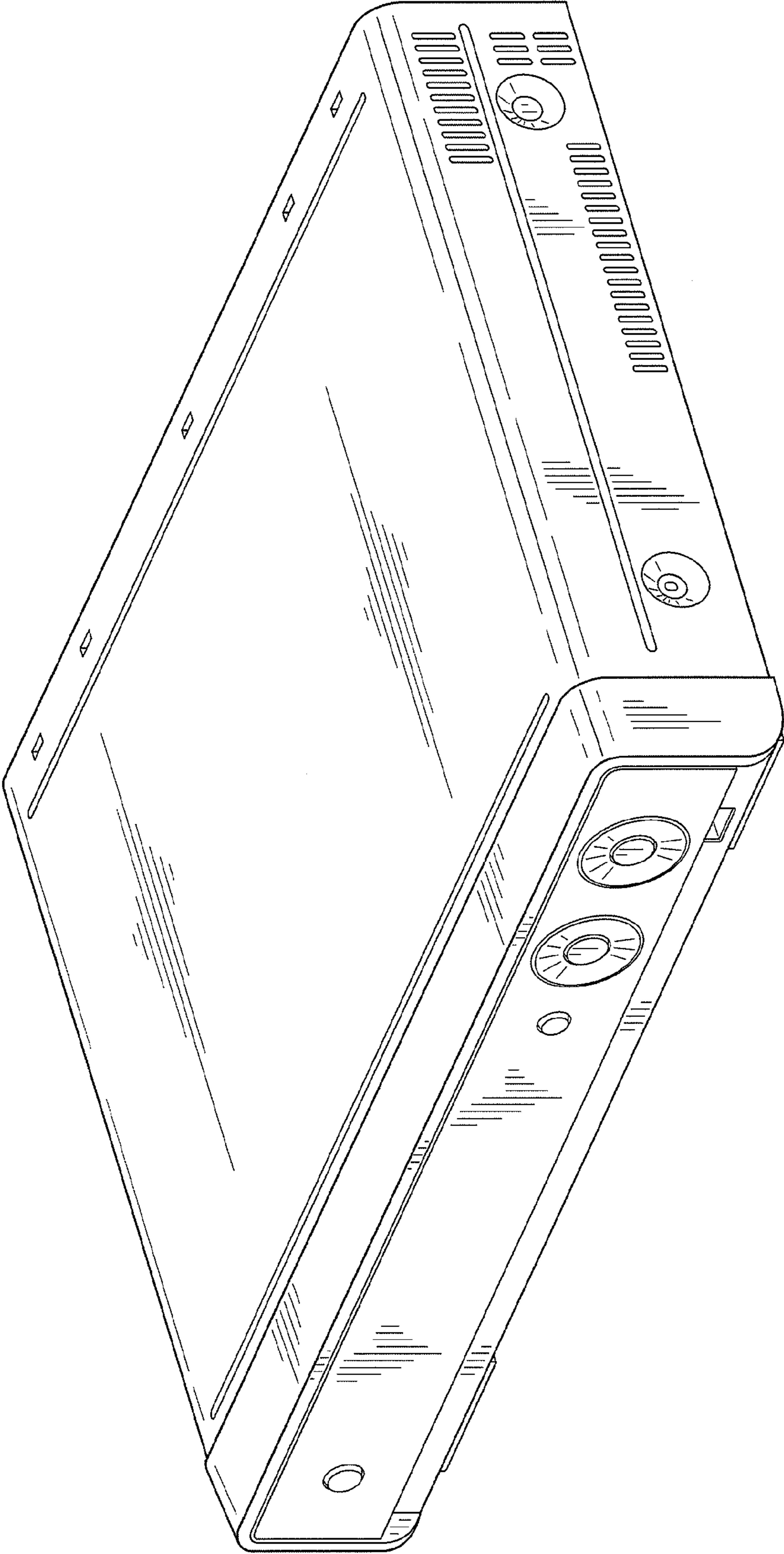


FIG. 1

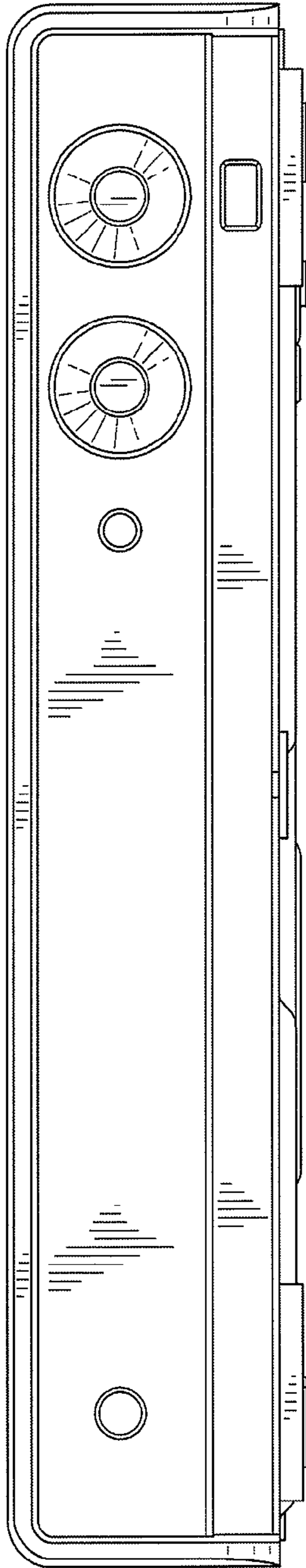


FIG. 2

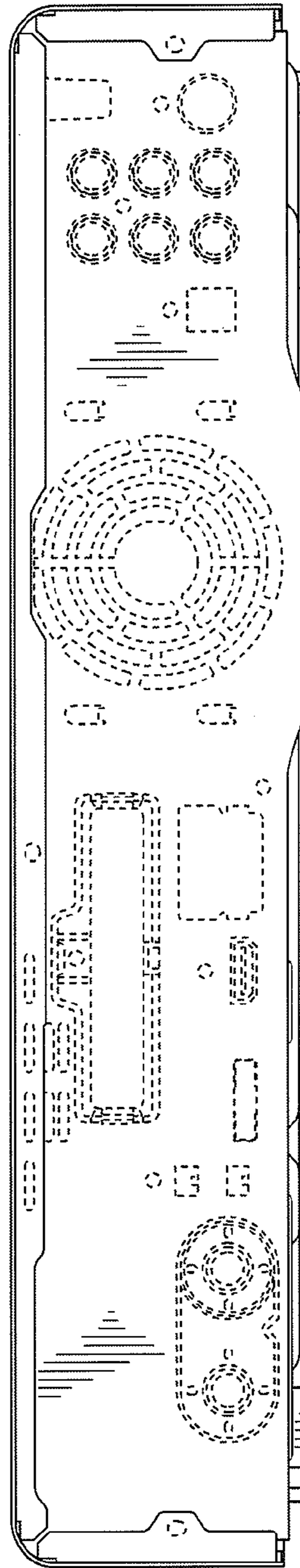


FIG. 3

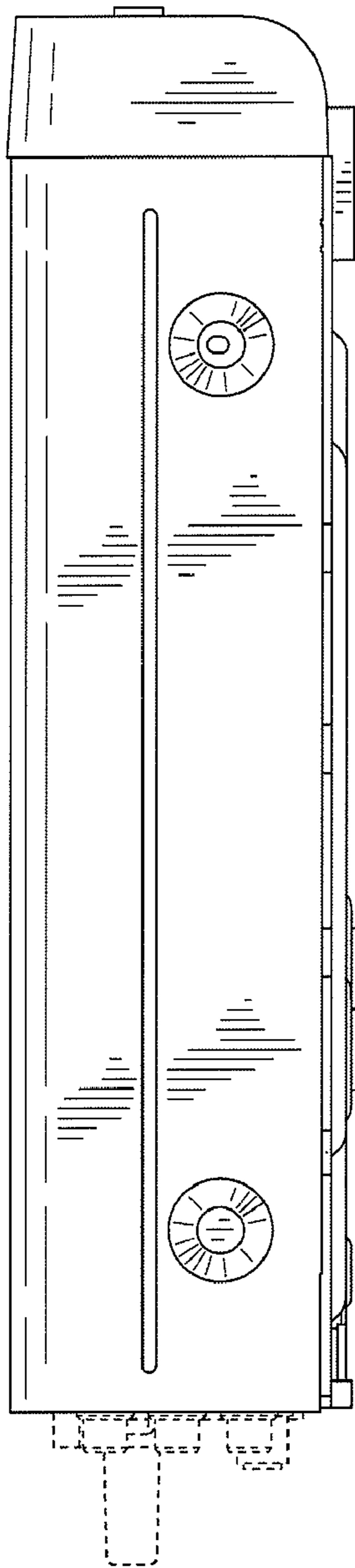


FIG. 4

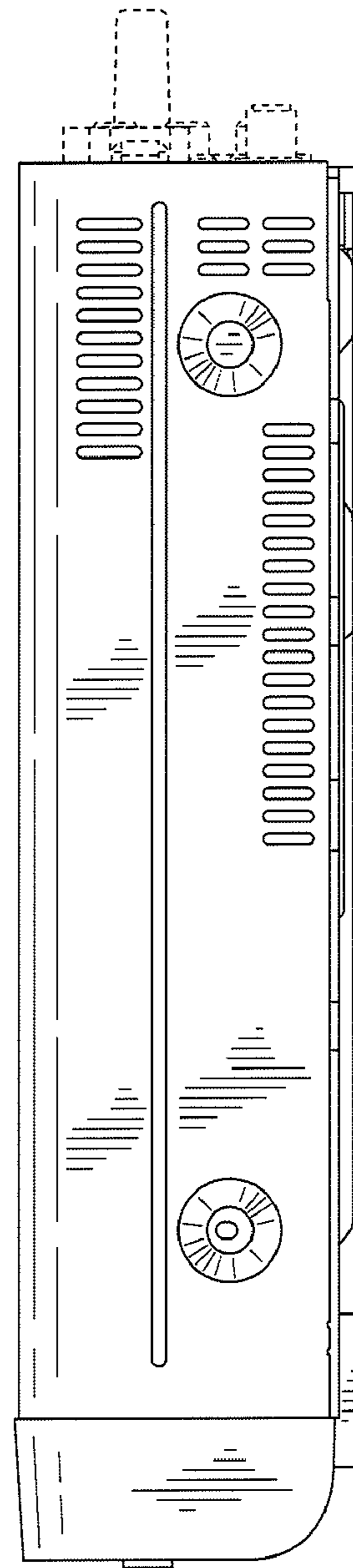


FIG. 5

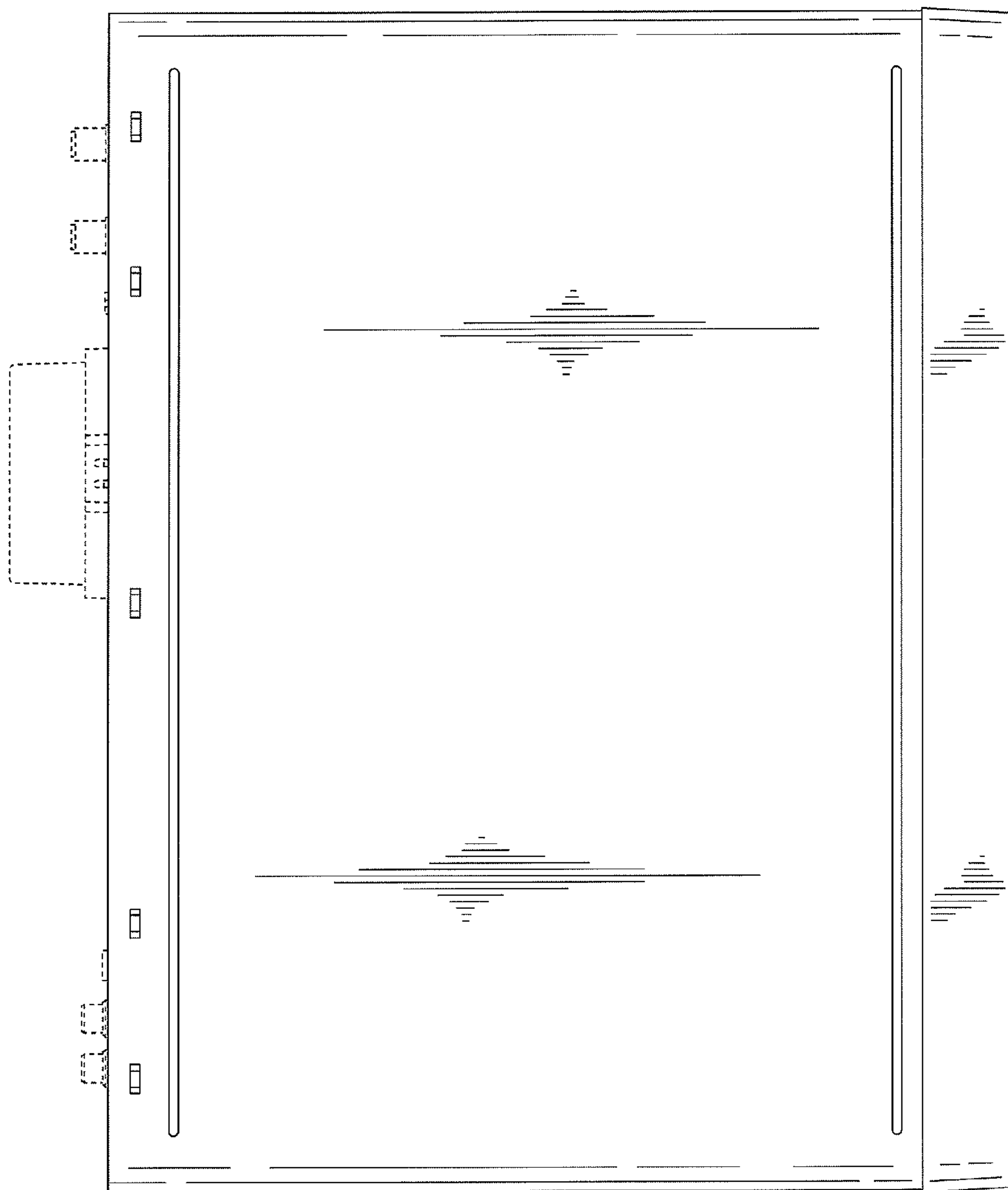


FIG. 6

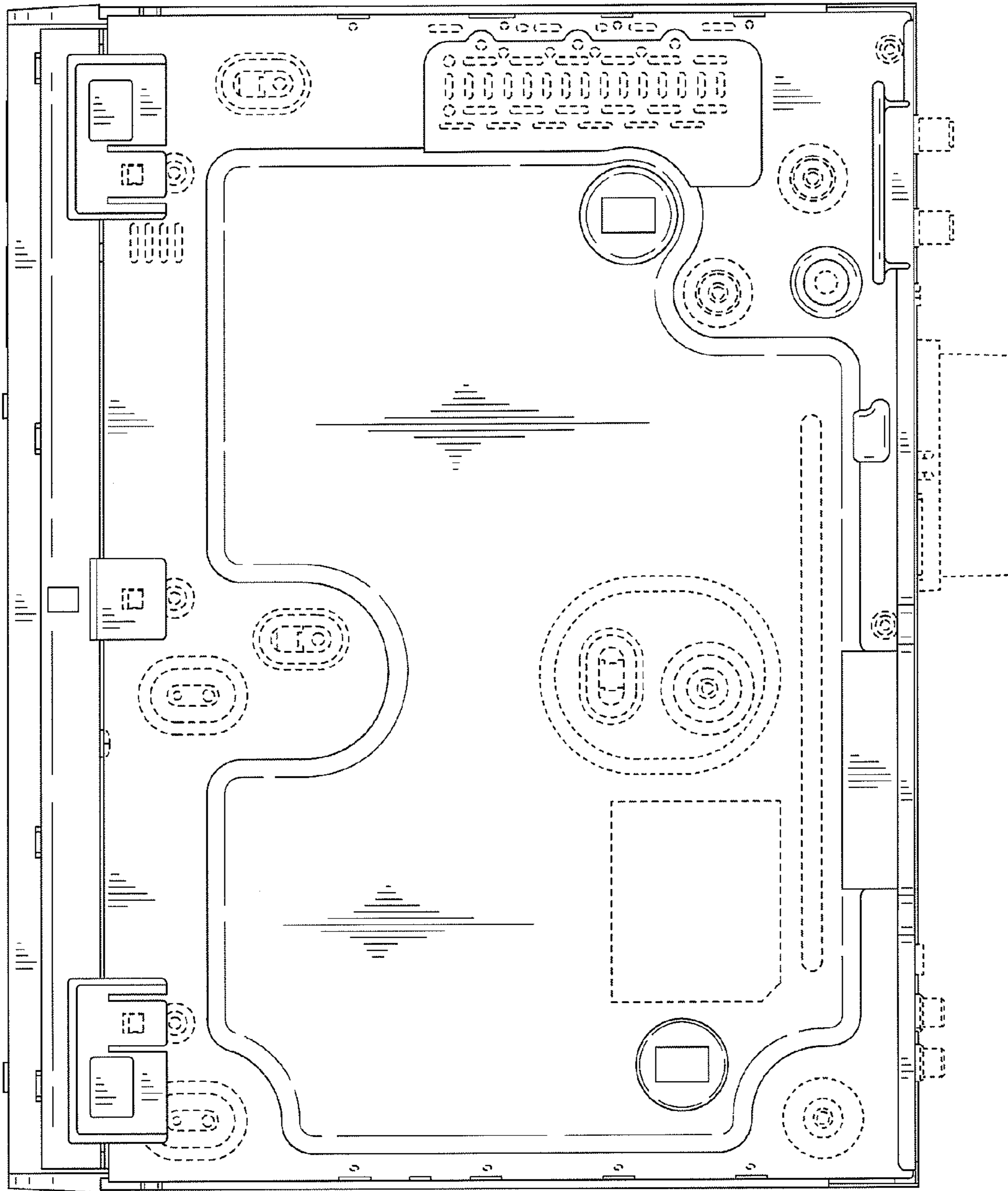


FIG. 7