



US00D638378S

(12) **United States Design Patent**
Ko et al.

(10) **Patent No.:** **US D638,378 S**

(45) **Date of Patent:** **** *May 24, 2011**

(54) **LEAD FRAME**

(75) Inventors: **Bo-Yu Ko**, Hsinchu (TW); **Ya-Hsien Chang**, Hsinchu (TW); **Chun-Wei Wang**, Hsinchu (TW)

(73) Assignee: **Lextar Electronics Corporation**, Hsinchu (TW)

(*) Notice: This patent is subject to a terminal disclaimer.

(**) Term: **14 Years**

(21) Appl. No.: **29/367,264**

(22) Filed: **Aug. 5, 2010**

(30) **Foreign Application Priority Data**

Feb. 10, 2010 (TW) 99300670

(51) **LOC (9) Cl.** **13-03**

(52) **U.S. Cl.** **D13/180**

(58) **Field of Classification Search** D13/180;
D26/2; 257/79, 80, 81, 88, 89, 95, 98, 99,
257/100, E33.058; 313/483, 498, 500; 362/555,
362/800

See application file for complete search history.

(56) **References Cited**

U.S. PATENT DOCUMENTS

D562,272	S	*	2/2008	Su et al.	D13/180
D568,834	S	*	5/2008	Nishida et al.	D13/180
D599,750	S	*	9/2009	Kim et al.	D13/180
D608,308	S	*	1/2010	Hsieh	D13/180
D622,680	S	*	8/2010	Lin et al.	D13/180
D627,310	S	*	11/2010	Lin et al.	D13/180
D628,541	S	*	12/2010	Lin	D13/180
2006/0163602	A1	*	7/2006	Isokawa	257/100
2006/0220205	A1	*	10/2006	Hongo et al.	257/680

* cited by examiner

Primary Examiner — Selina Sikder

(74) *Attorney, Agent, or Firm* — Kirton & McConkie; Evan R. Witt

(57) **CLAIM**

The ornamental design for a lead frame, as shown and described.

DESCRIPTION

FIG. 1 is a three dimensional view of a lead frame showing our new design;

FIG. 2 is a right side view thereof;

FIG. 3 is a top view thereof;

FIG. 4 is a front view thereof;

FIG. 5 is a bottom view thereof;

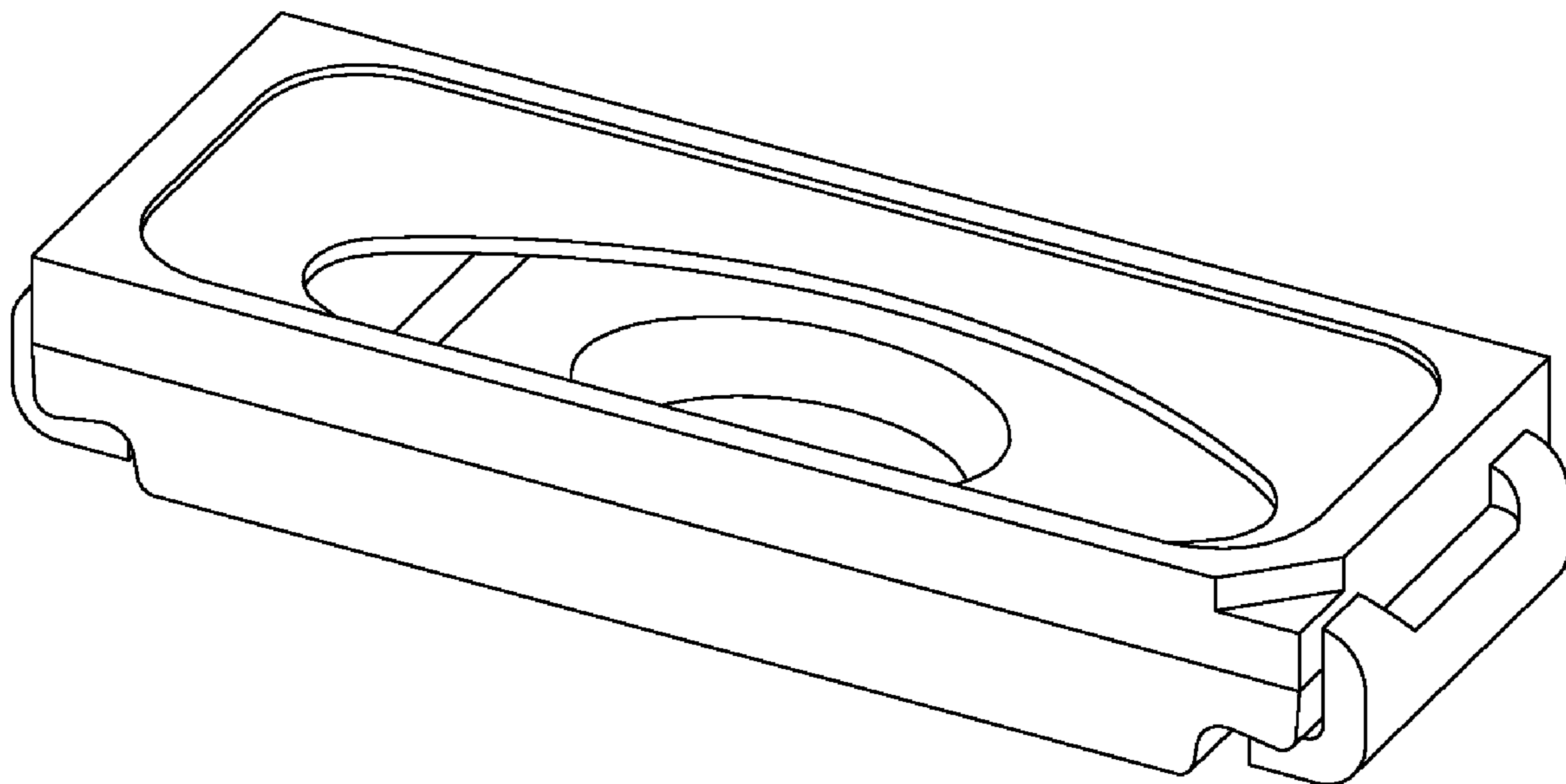
FIG. 6 is a left side view thereof;

FIG. 7 is a rear view thereof;

FIG. 8 is a cross-sectional view of the lead frame of FIG. 4, taken along the line A—A; and,

FIG. 9 is a cross-sectional view of the lead frame of FIG. 4, taken along the line B—B.

1 Claim, 9 Drawing Sheets



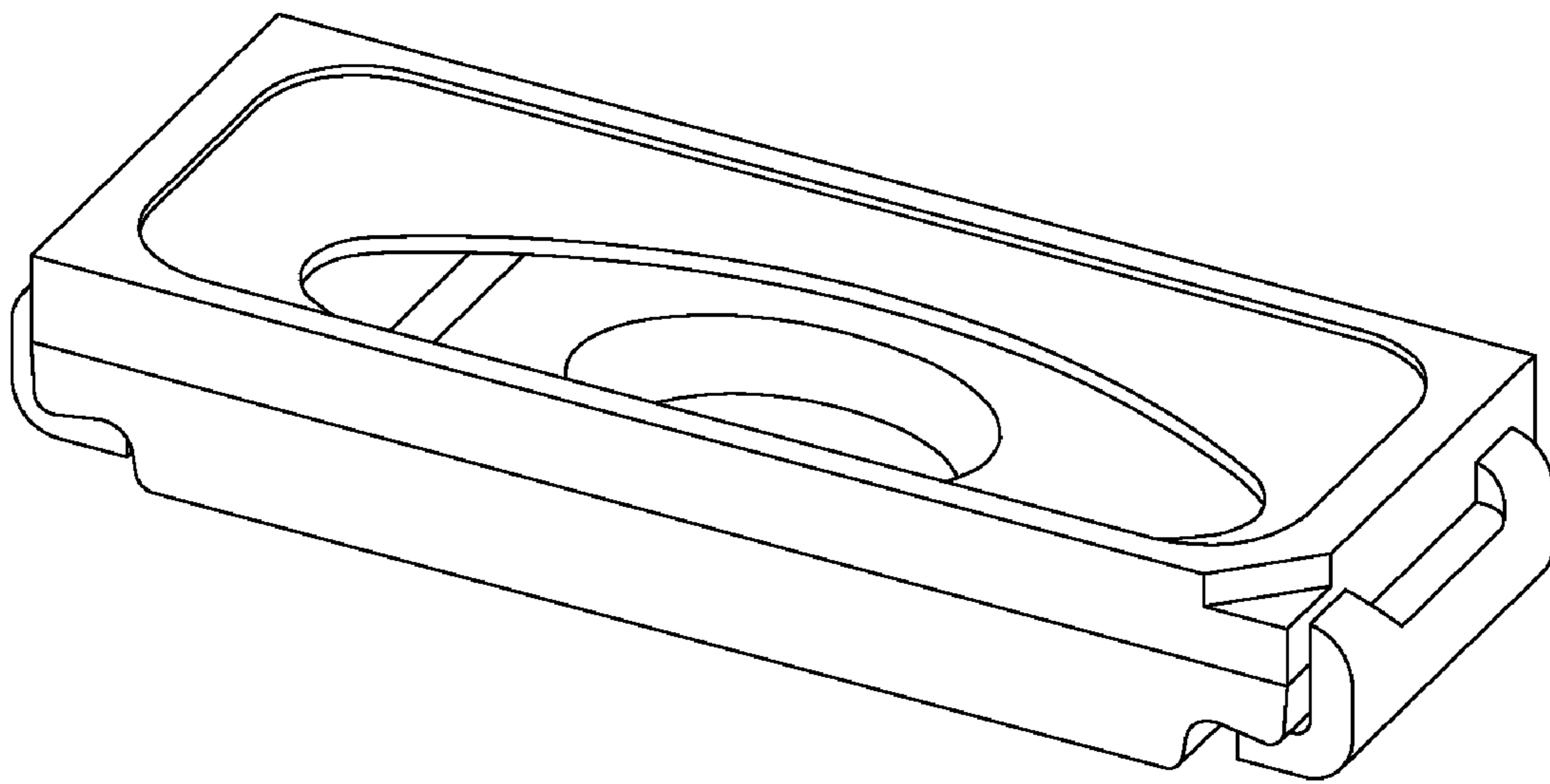


FIG. 1

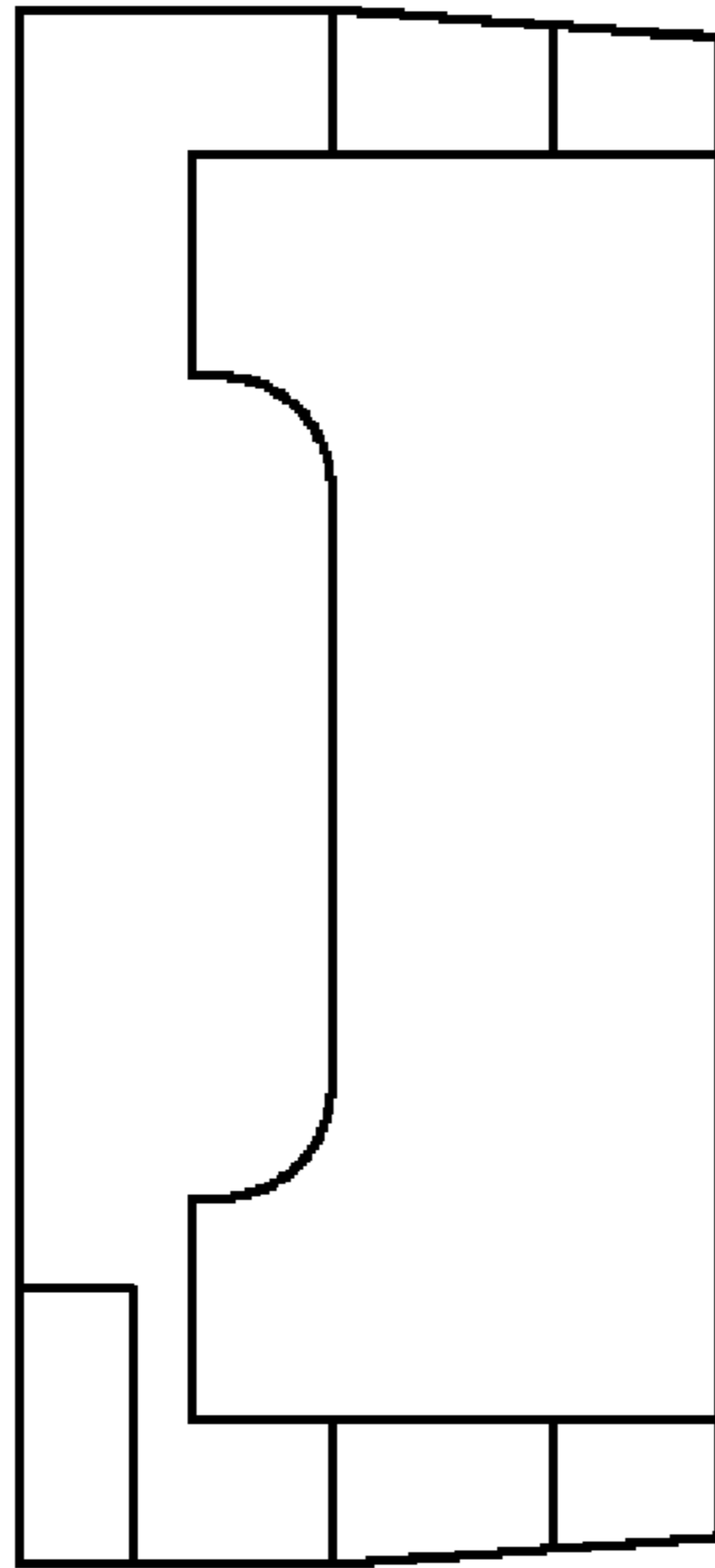


FIG. 2

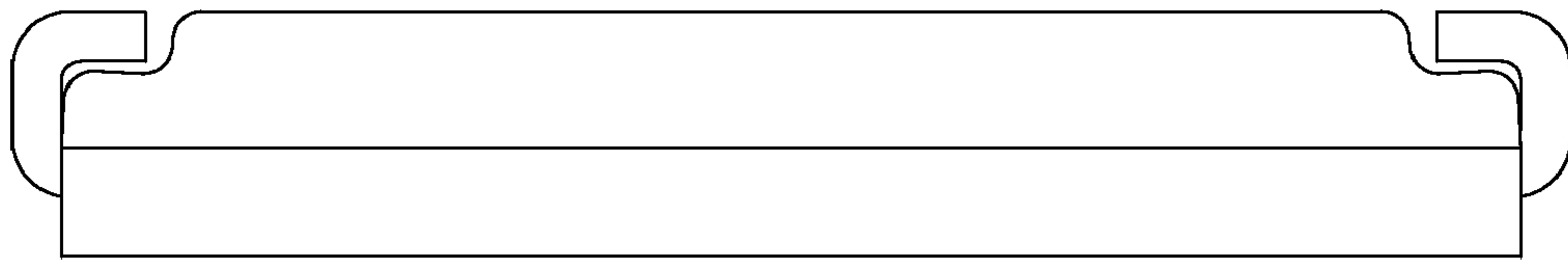


FIG. 3

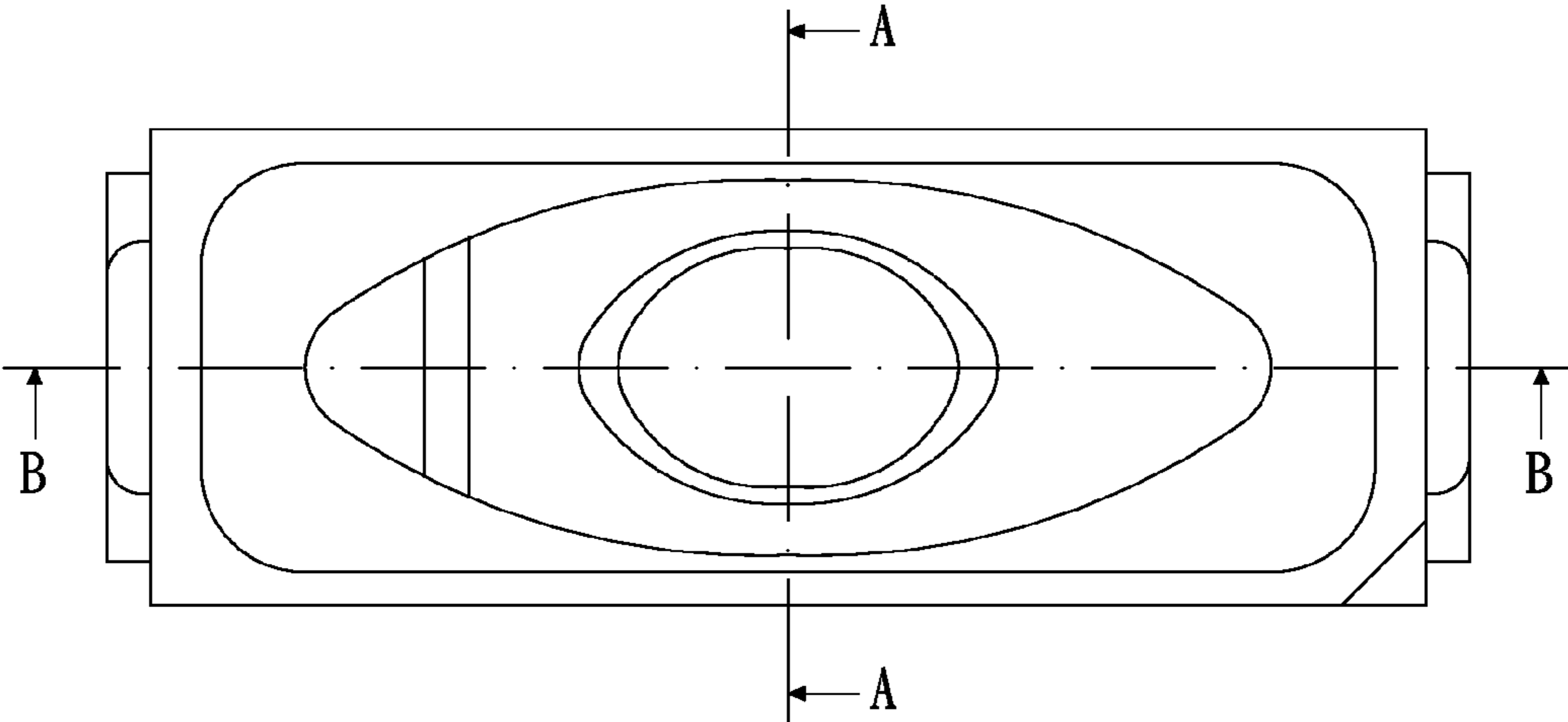


FIG. 4

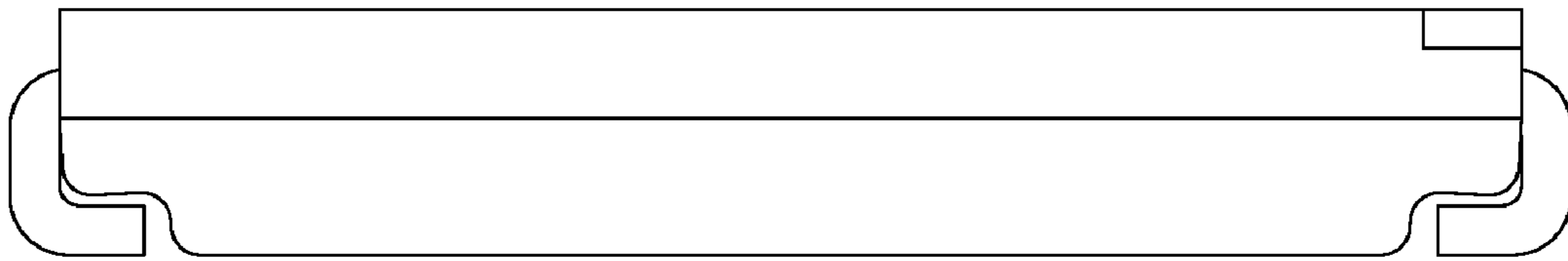


FIG. 5

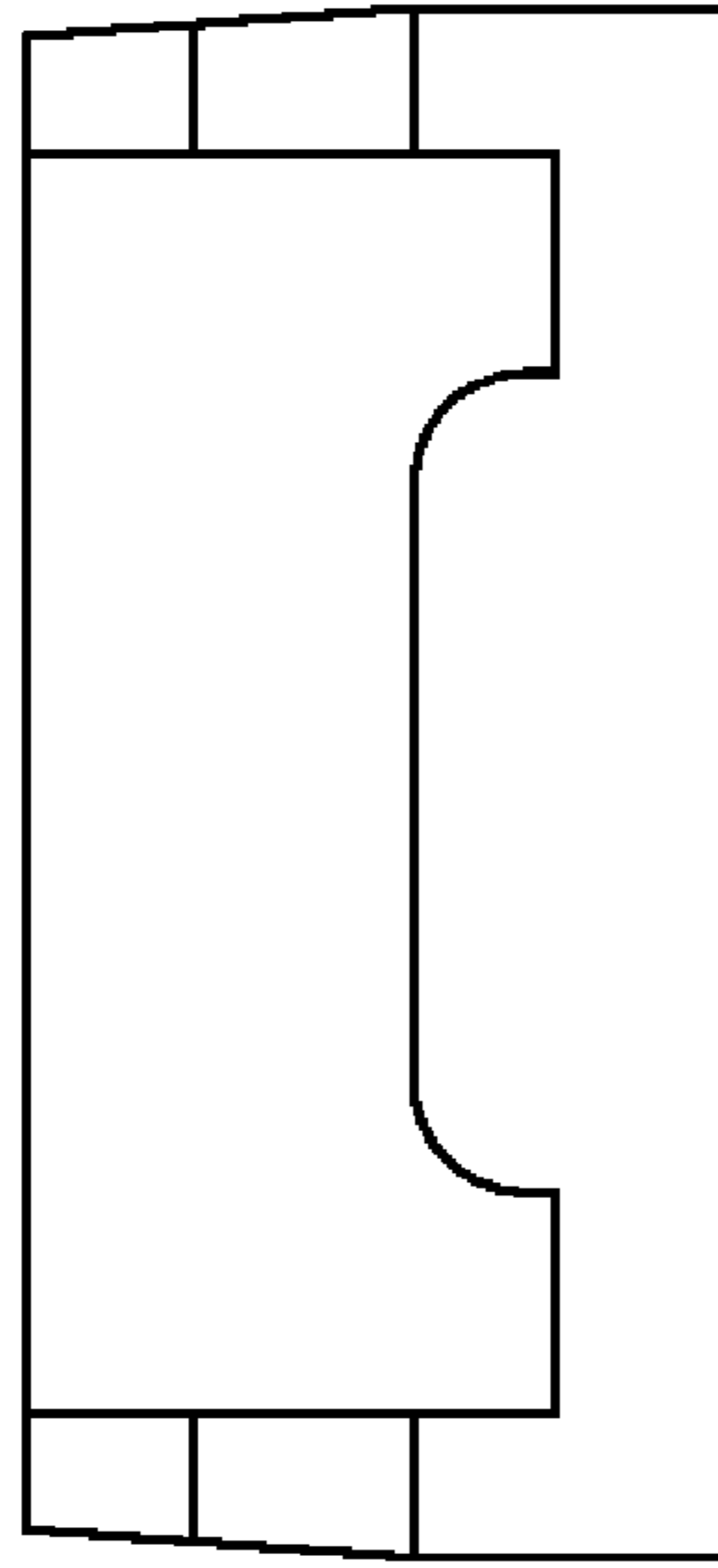


FIG. 6

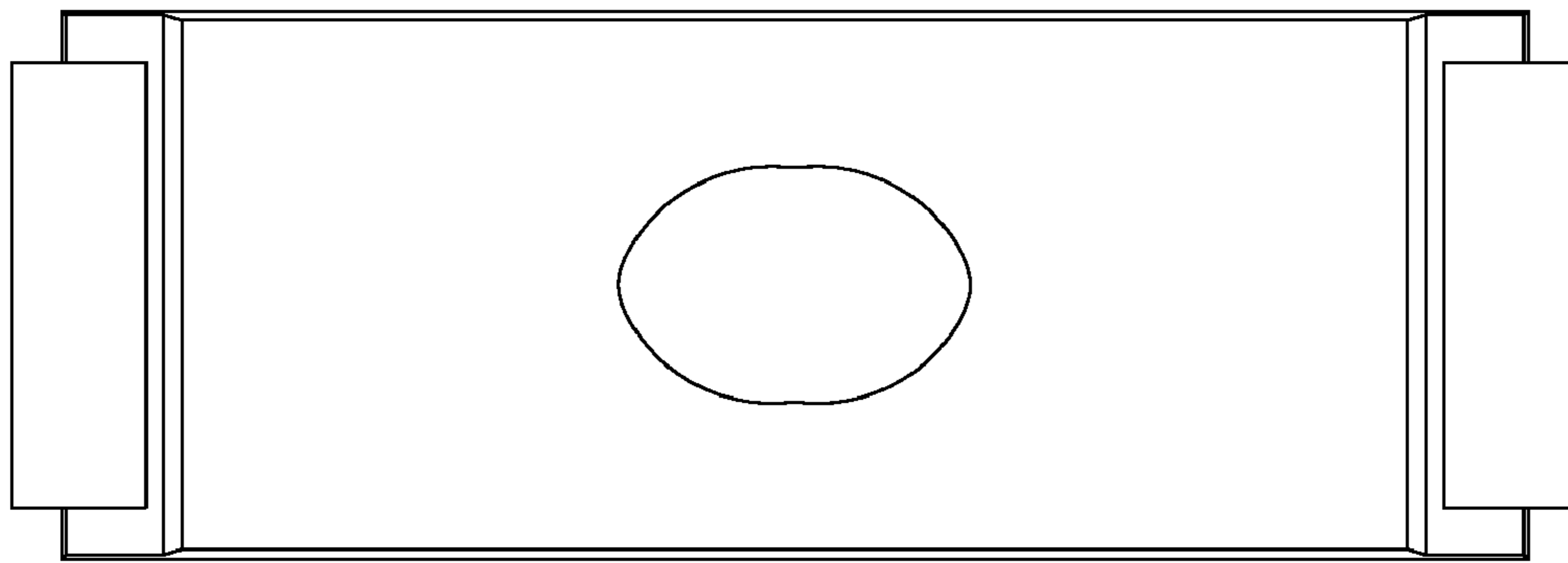


FIG. 7

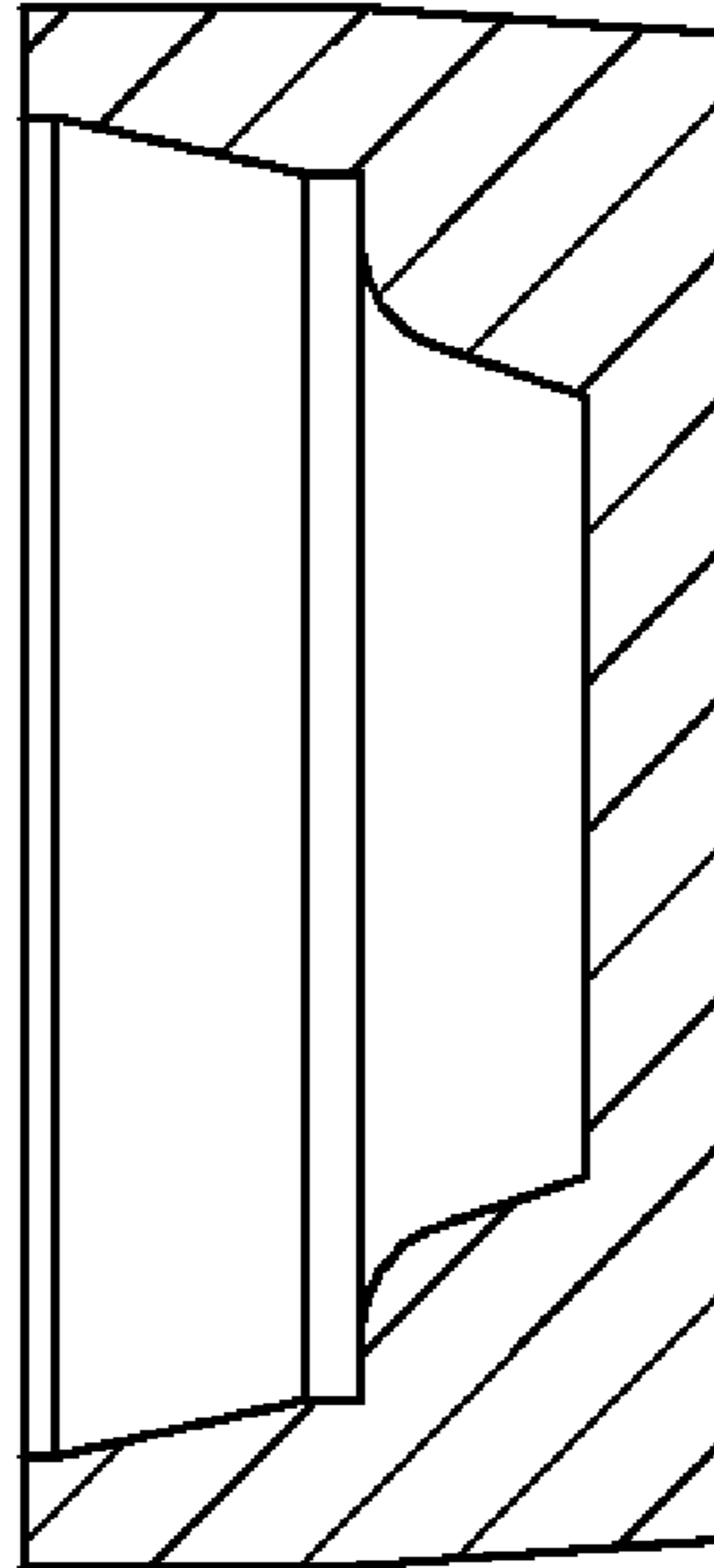


FIG. 8

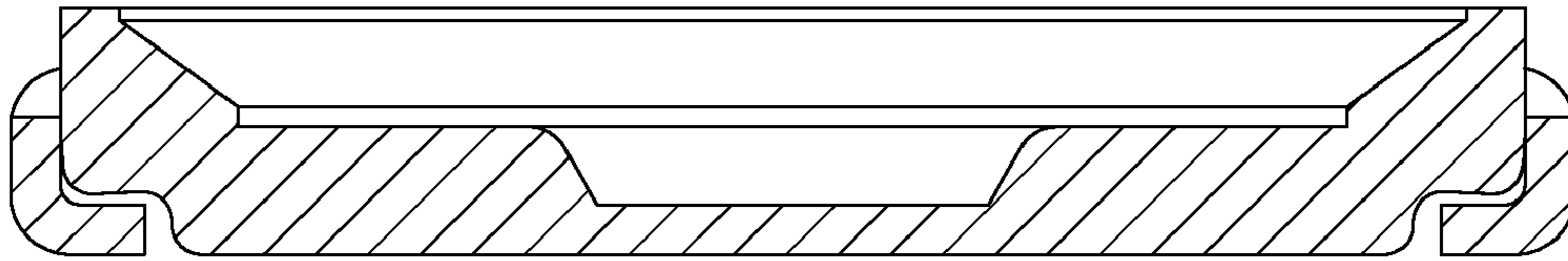


FIG. 9