



US00D638377S

(12) **United States Design Patent**
Yan et al.

(10) **Patent No.:** **US D638,377 S**

(45) **Date of Patent:** **** May 24, 2011**

(54) **HIGH-POWER LIGHT EMITTING DIODE CHIP**

(76) Inventors: **Liang-Jyi Yan**, Daya Township (TW);
Yea-Chen Lee, Daya Township (TW);
Chih-Sung Chang, Daya Township (TW)

(**) Term: **14 Years**

(21) Appl. No.: **29/358,105**

(22) Filed: **Mar. 23, 2010**

(51) **LOC (9) Cl.** **13-03**

(52) **U.S. Cl.** **D13/180**

(58) **Field of Classification Search** D13/180;
D26/2; 257/79, 80, 81, 88, 89, 95, 98, 99,
257/100, E33.058; 313/483, 498, 500; 362/555,
362/800

See application file for complete search history.

(56) **References Cited**

U.S. PATENT DOCUMENTS

6,307,218	B1 *	10/2001	Steigerwald et al.	257/99
6,344,665	B1 *	2/2002	Sung et al.	257/91
6,847,052	B2 *	1/2005	Fan et al.	257/79
D559,802	S *	1/2008	Hsu et al.	D13/180
D578,536	S *	10/2008	Lei et al.	D14/435
D580,888	S *	11/2008	Liu	D13/180

D582,865	S *	12/2008	Edmond et al.	D13/180
D593,968	S *	6/2009	Edmond et al.	D13/180
D606,949	S *	12/2009	Liu	D13/180
D619,976	S *	7/2010	Liu et al.	D13/180
D620,460	S *	7/2010	Liu	D13/180
D620,897	S *	8/2010	Shan et al.	D13/180
2005/0052878	A1 *	3/2005	Yamada et al.	362/460
2007/0085089	A1 *	4/2007	Hsu	257/81

* cited by examiner

Primary Examiner — Selina Sikder

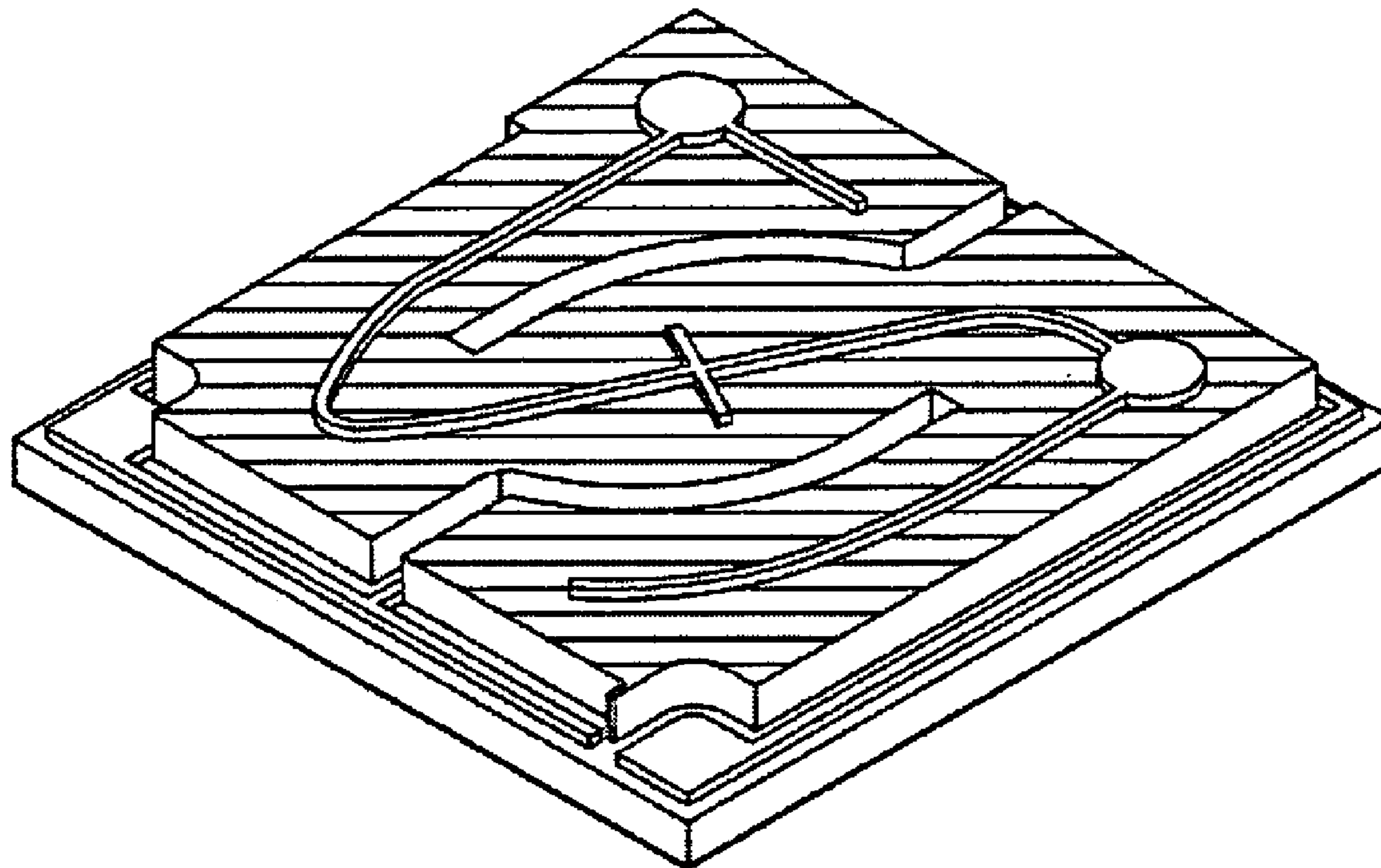
(57) **CLAIM**

The ornamental design for a high-power light emitting diode chip, as shown and described.

DESCRIPTION

FIG. 1 is a perspective view of a high-power light emitting diode chip showing our new design;
FIG. 2 is a front side view of the embodiment shown in FIG. 1;
FIG. 3 is a back side view of the embodiment shown in FIG. 1;
FIG. 4 is a left side view of the embodiment shown in FIG. 1;
FIG. 5 is a right side view of the embodiment shown in FIG. 1;
FIG. 6 is a top view of the embodiment shown in FIG. 1; and,
FIG. 7 is a bottom view of the embodiment shown in FIG. 1.

1 Claim, 5 Drawing Sheets



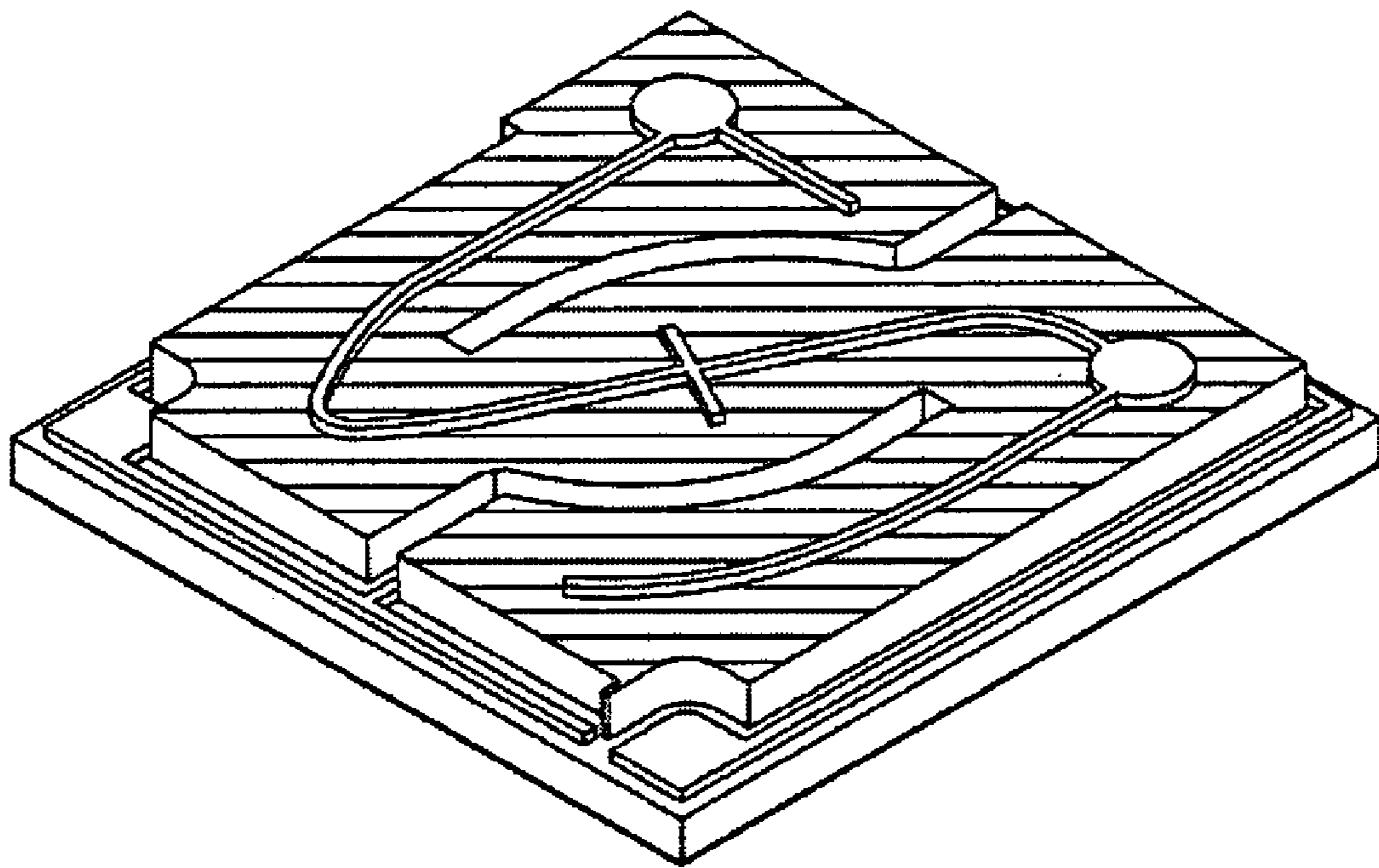


FIG. 1



FIG. 2



FIG. 3

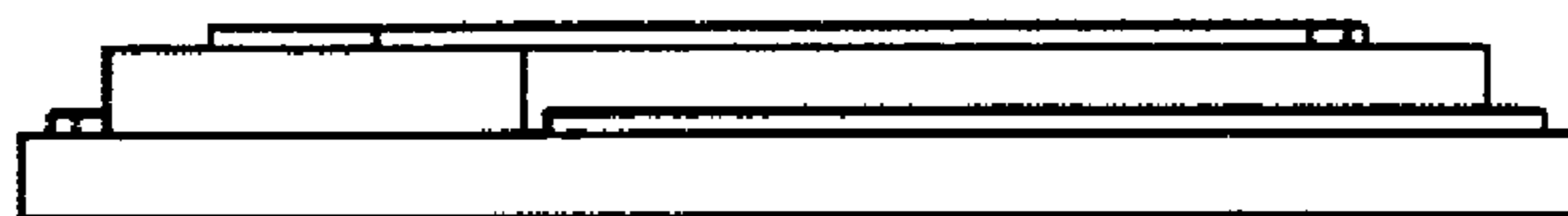


FIG. 4

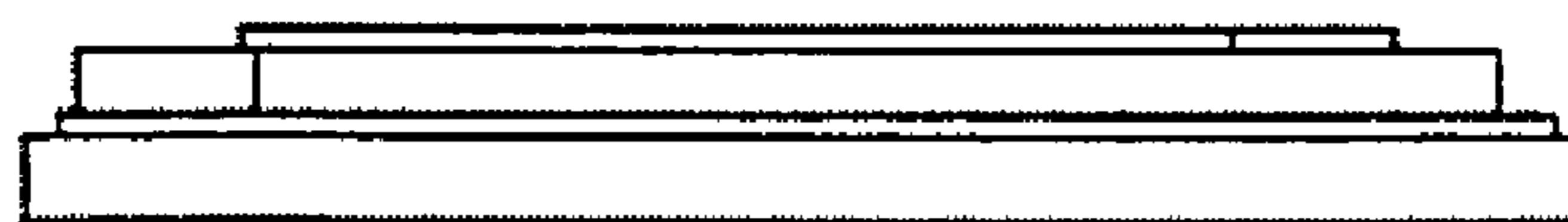


FIG. 5

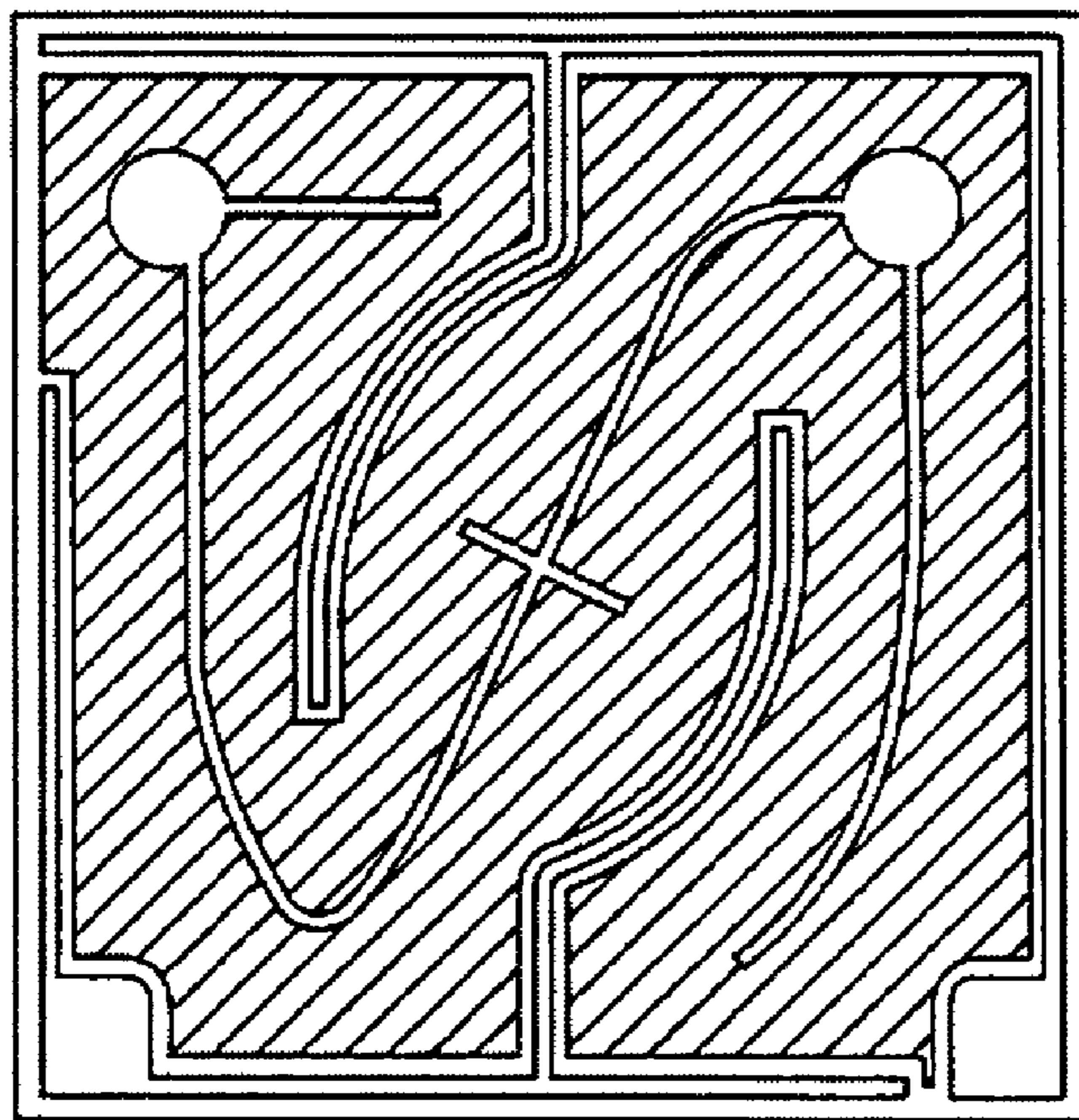


FIG. 6

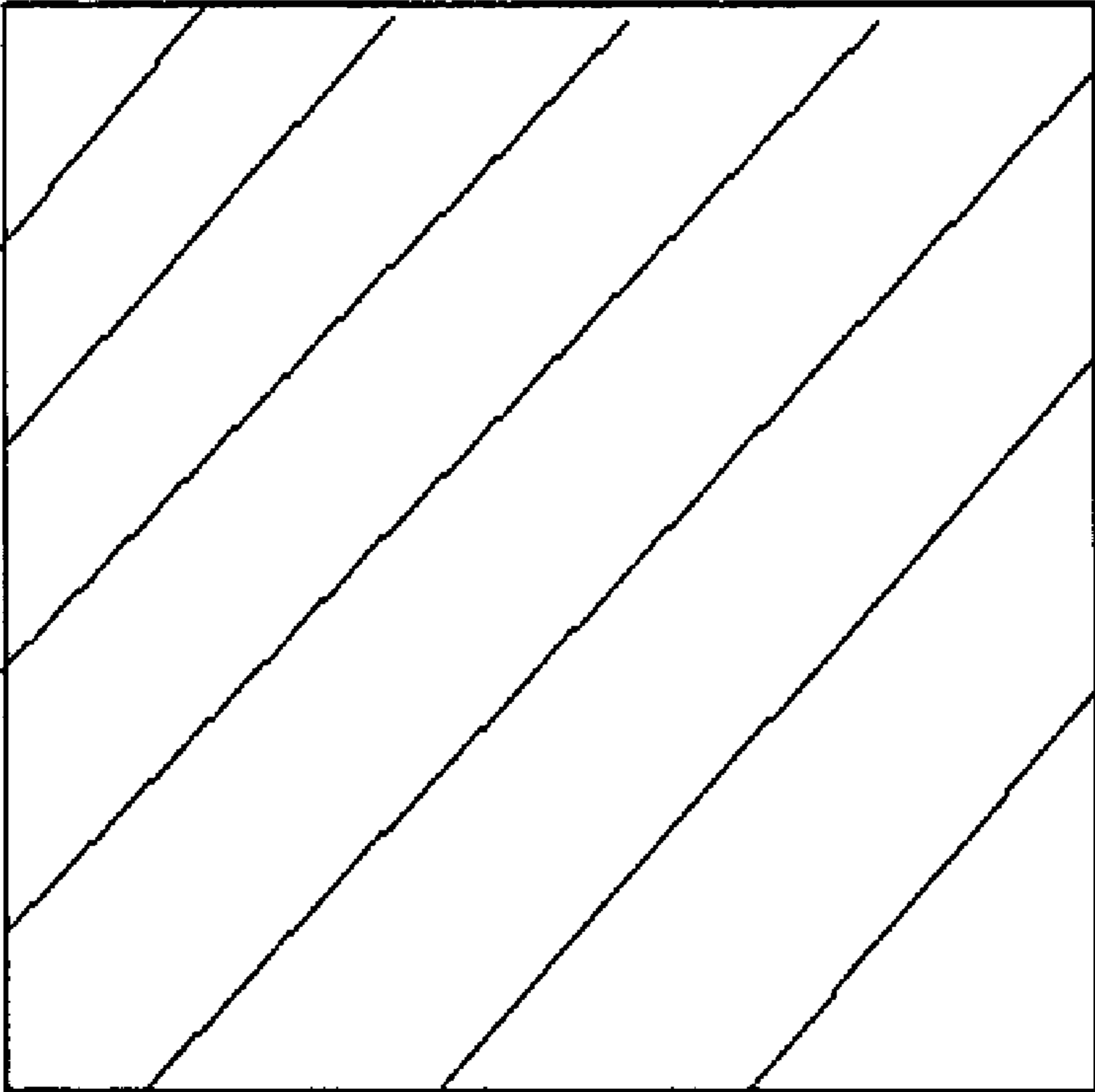


FIG. 7