



US00D638376S

(12) **United States Design Patent**
Herrmann et al.

(10) **Patent No.:** **US D638,376 S**

(45) **Date of Patent:** **** May 24, 2011**

(54) **PASSIVE COOLING ELEMENT**

(75) Inventors: **Gregory Lucius Herrmann**, Decatur, GA (US); **William George Mahoney**, Suwanee, GA (US)

(73) Assignee: **Cisco Technology, Inc.**, San Jose, CA (US)

(**) Term: **14 Years**

(21) Appl. No.: **29/367,422**

(22) Filed: **Aug. 6, 2010**

(51) **LOC (9) Cl.** **13-03**

(52) **U.S. Cl.** **D13/179**

(58) **Field of Classification Search** D13/123,
D13/152, 179, 184; 165/80.3, 104.33, 151,
165/122, 185; 257/706, 707, 718-722; 361/687,
361/695, 697, 700, 702, 704, 709, 710, 711,
361/719

See application file for complete search history.

(56) **References Cited**

U.S. PATENT DOCUMENTS

D336,074	S	*	6/1993	Friend et al.	D13/184
D367,469	S	*	2/1996	Widmayer et al.	D13/179
5,582,240	A	*	12/1996	Widmayer	165/80.3
D379,799	S	*	6/1997	Widmayer et al.	D13/179
D416,873	S	*	11/1999	Korsunsky et al.	D14/140.5
D458,228	S	*	6/2002	Jacobson	D13/152
6,418,020	B1	*	7/2002	Lin	361/703
6,847,525	B1	*	1/2005	Smith et al.	361/703
7,408,777	B2	*	8/2008	Jeong	361/704
D613,258	S	*	4/2010	Walker et al.	D13/179
2003/0007328	A1	*	1/2003	Fischer	361/704

* cited by examiner

(74) *Attorney, Agent, or Firm* — Merchant & Gould, PC

(57) **CLAIM**

The ornamental design for a passive cooling element, as shown and described.

DESCRIPTION

FIG. 1 is a top perspective of a first embodiment for a passive cooling element in accord with the present disclosure; in FIG. 1 phantom lines indicating portions not specifically forming part of the claimed embodiment and solid lines indicating surfaces of a heat dissipating member;

FIG. 2 is a front elevational view of the passive cooling element of FIG. 1, an opposite bottom view being devoid of ornamentation;

FIG. 3 is a first side perspective view of the passive cooling element of FIG. 1; a second, opposite, view being substantially a mirror image;

FIG. 4 is a top elevational view of the passive cooling element of FIG. 1; and

FIG. 5 is a bottom elevational view of the passive cooling element of FIG. 1;

FIG. 6 is a bottom elevational view of a second embodiment of the passive cooling element of FIG. 1 illustrating a straight outward-edged fin;

FIG. 7 is a bottom elevational view of a third embodiment of the passive cooling element of FIG. 1 illustrating a rectangular fin interruption;

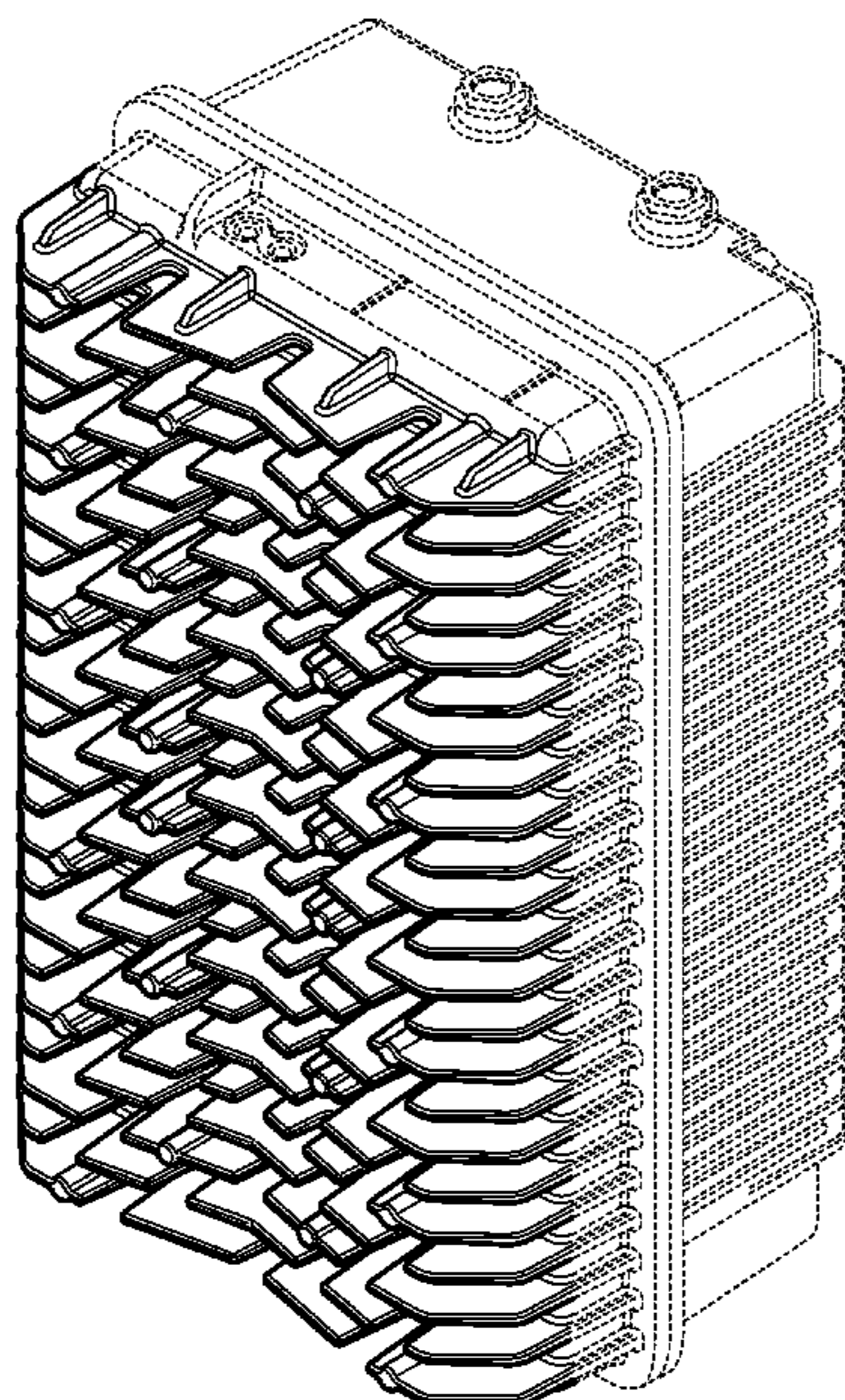
FIG. 8 is a bottom elevational view of a fourth embodiment of the passive cooling element of FIG. 1 illustrating a straight side-edged fin; and,

FIG. 9 is a bottom elevational view of a fifth embodiment of the passive cooling element of FIG. 1 illustrating additional fin interruptions.

The broken lines defining portions of the passive cooling element are for illustrative purposes only and form no part of the claimed design.

Primary Examiner — Selina Sikder

1 Claim, 5 Drawing Sheets



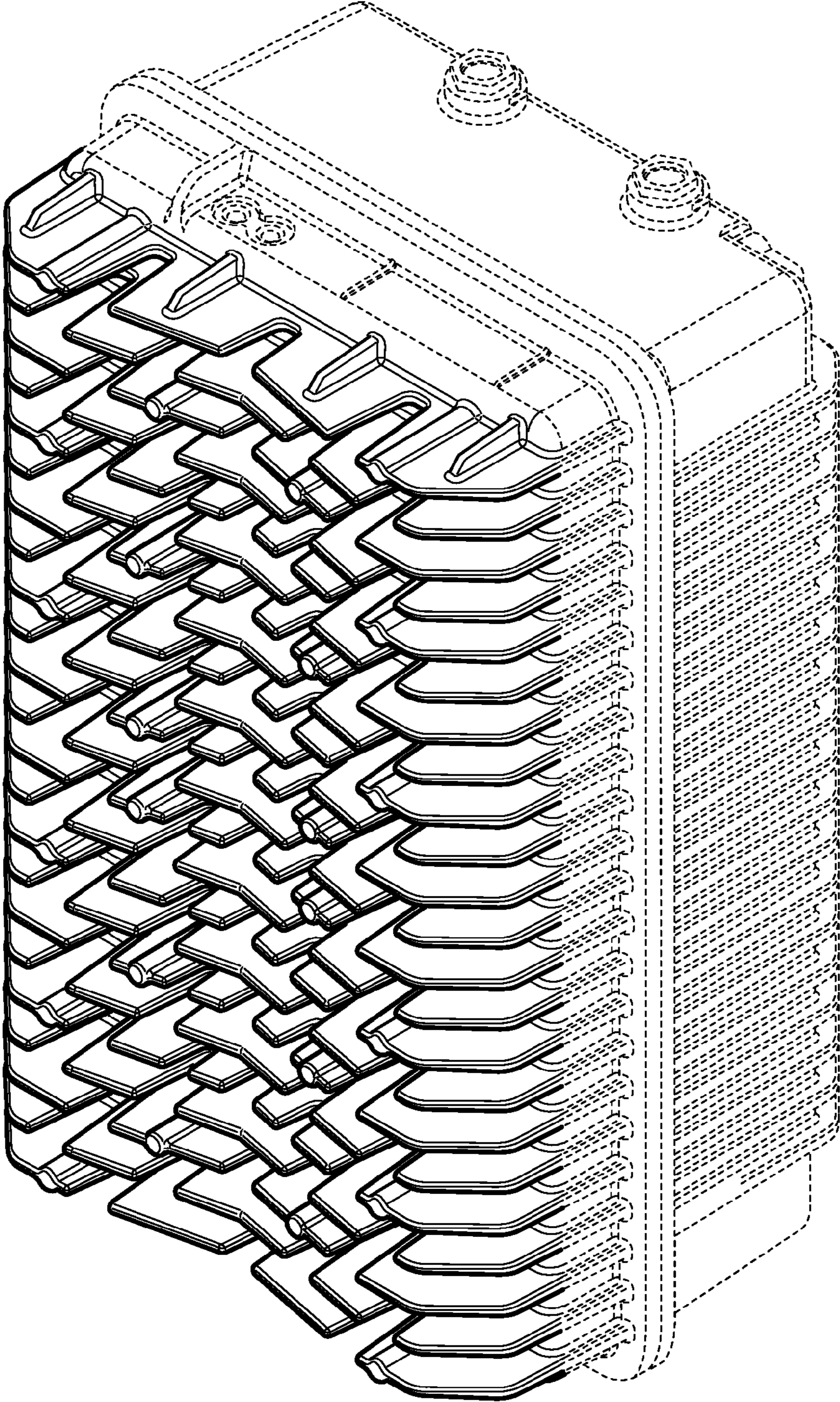


FIG. 1

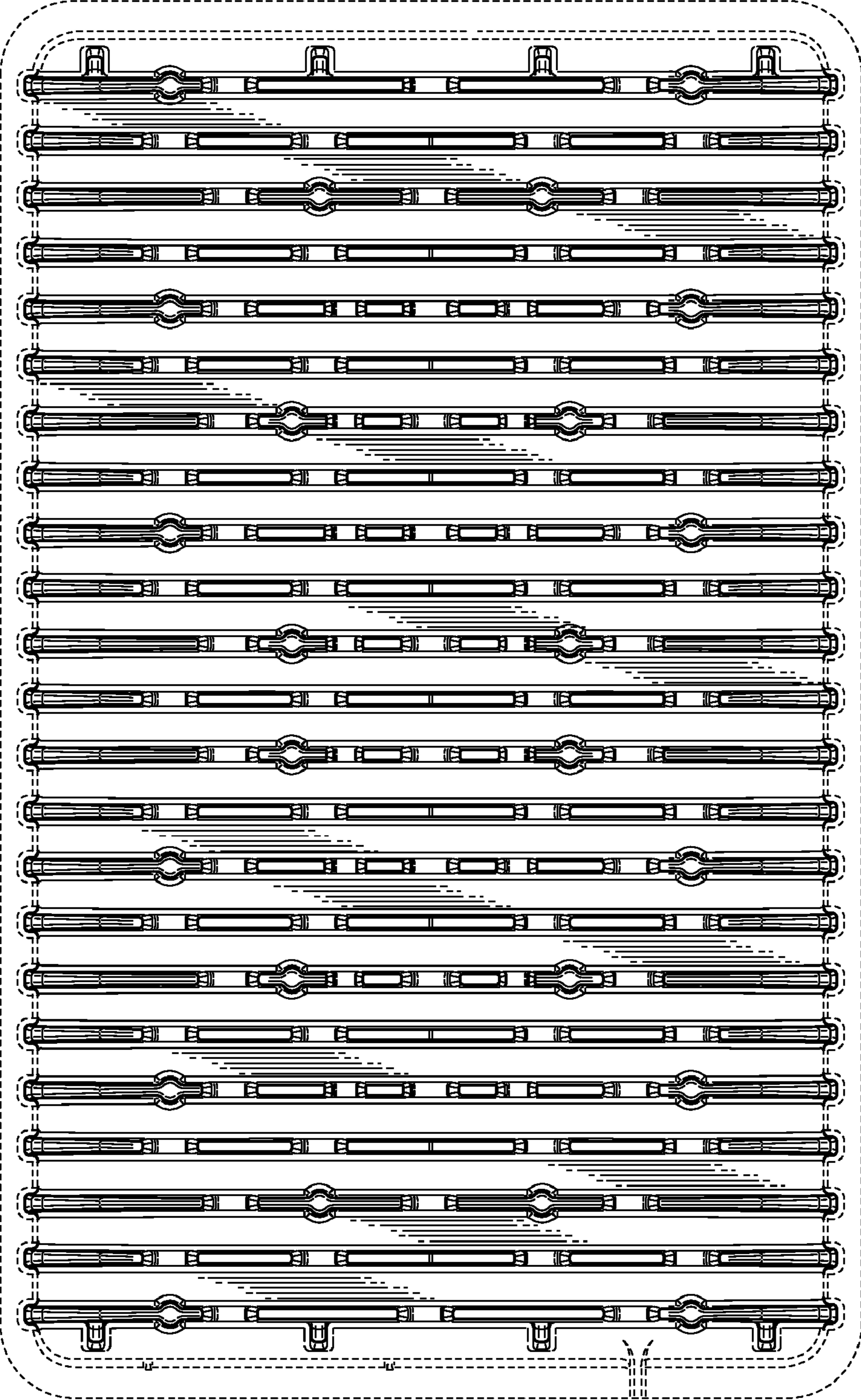


FIG. 2

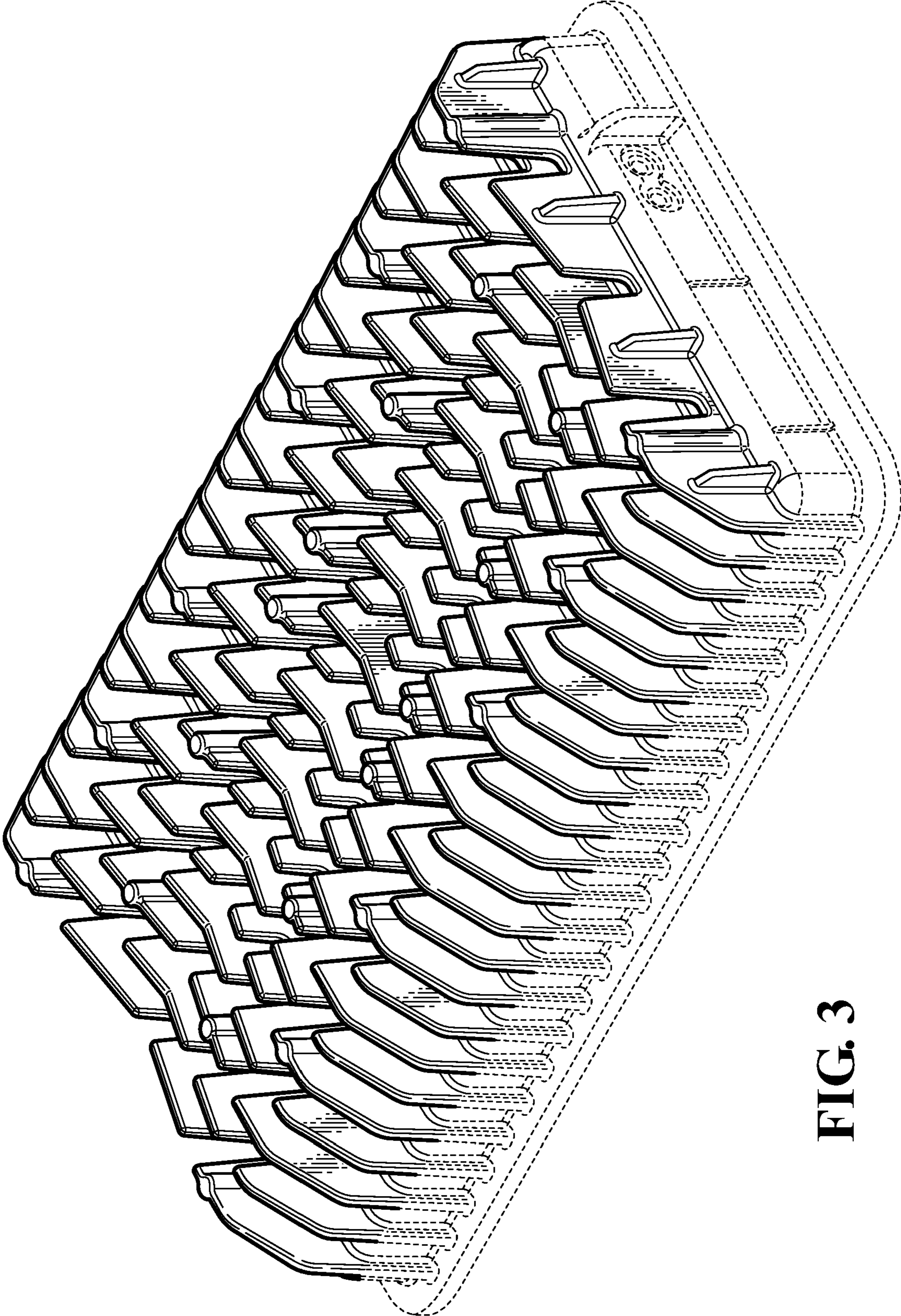


FIG. 3

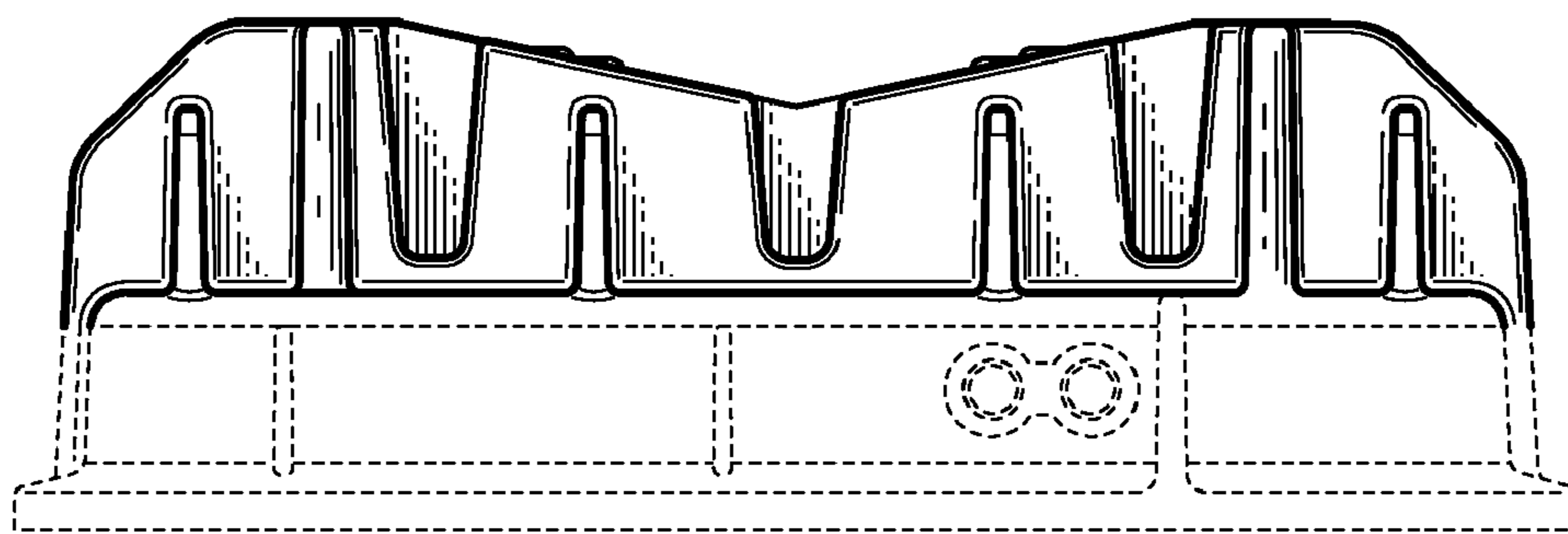


FIG. 4

FIG. 5

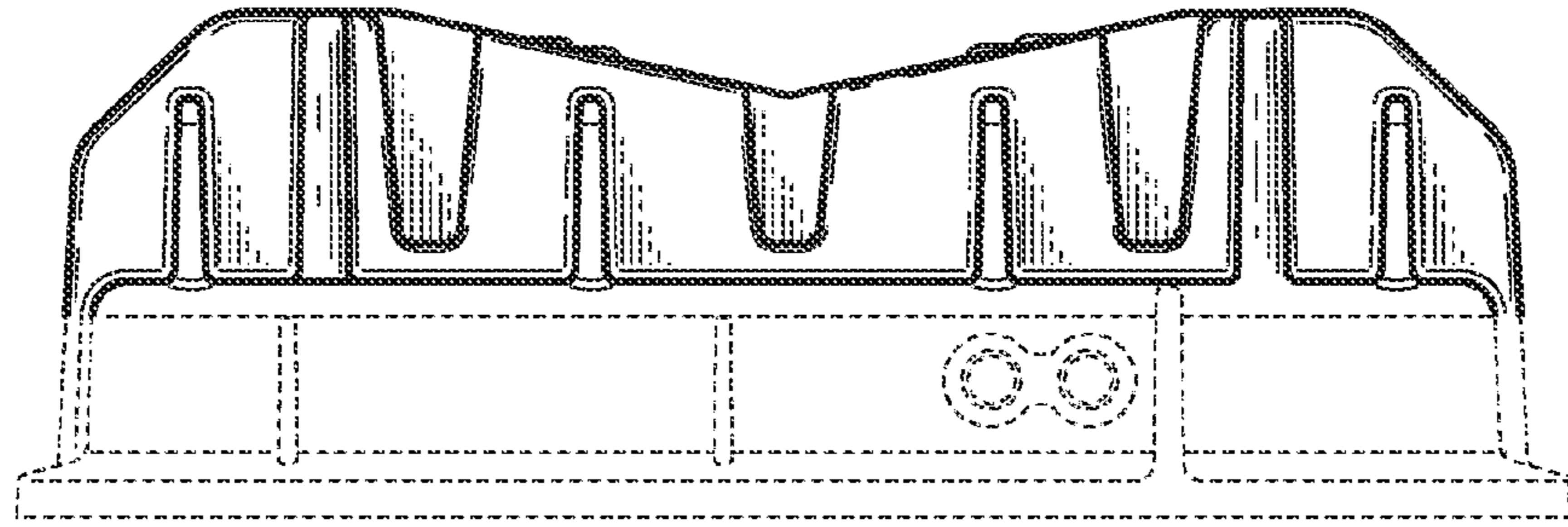


FIG. 6

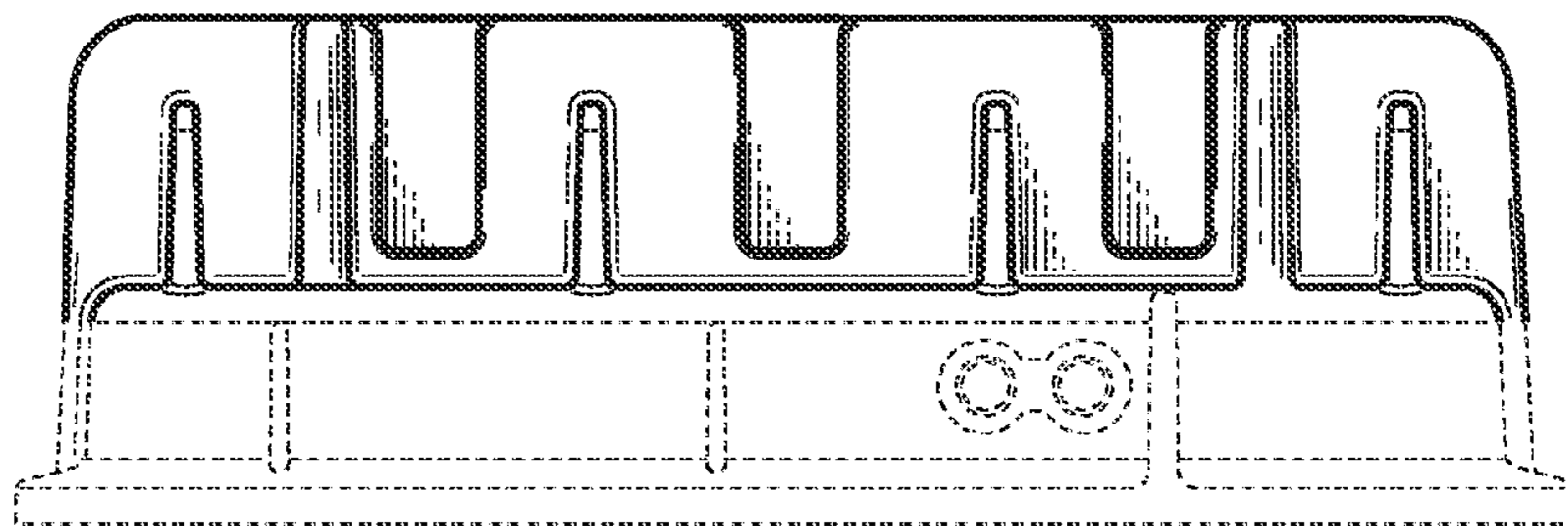


FIG. 7

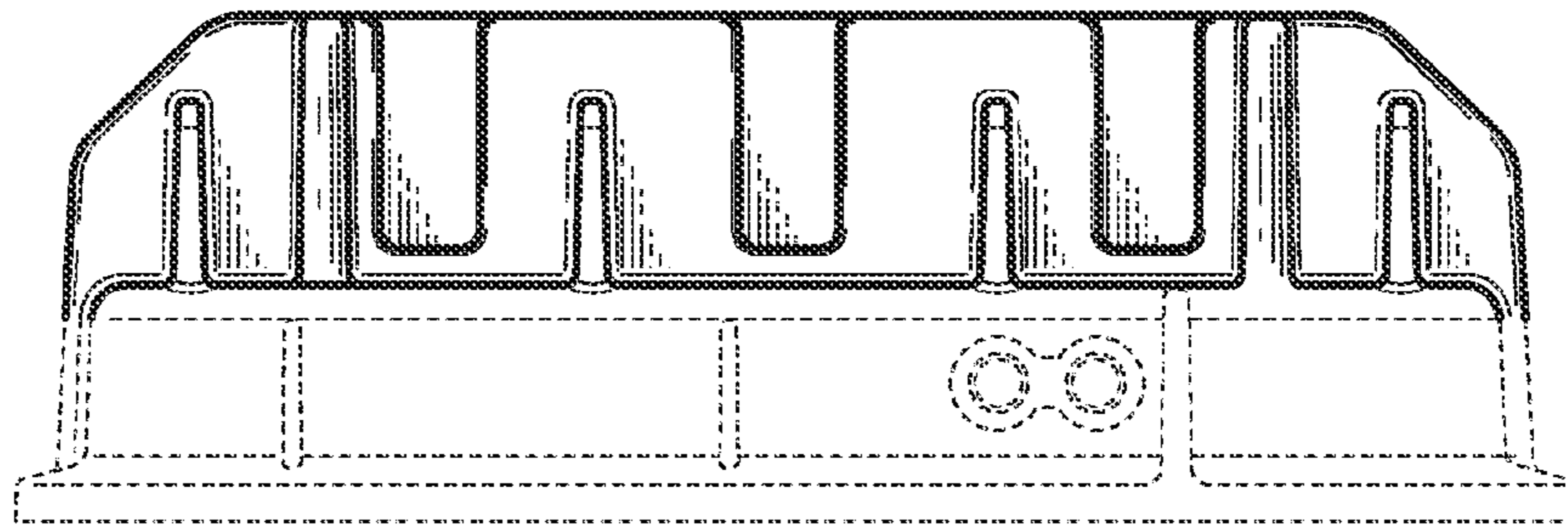


FIG. 8

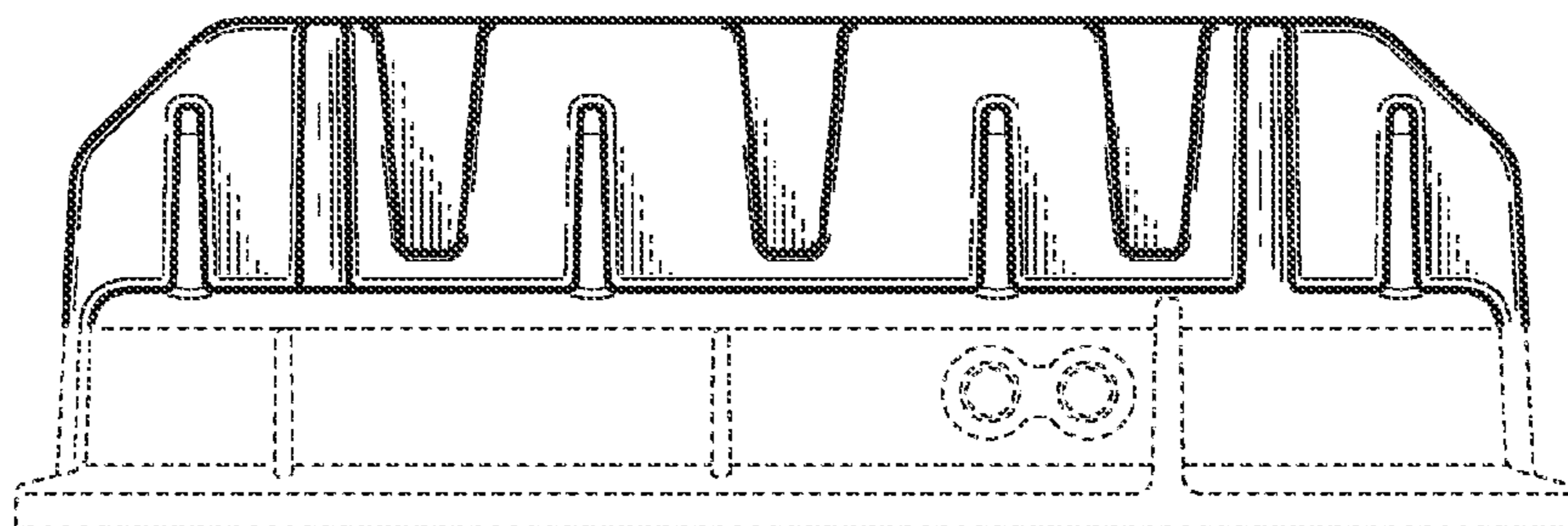


FIG. 9

