



US00D638371S

(12) **United States Design Patent**
Giordanino et al.

(10) **Patent No.:** **US D638,371 S**

(45) **Date of Patent:** **** May 24, 2011**

(54) **SOCKETS FOR RELAYS**

(75) Inventors: **Piero Giordanino**, Almese (IT); **Valter Morra**, Almese (IT)

(73) Assignee: **Finder S.p.A.**, Turin (IT)

(**) Term: **14 Years**

(21) Appl. No.: **29/378,150**

(22) Filed: **Oct. 29, 2010**

D238,366	S	1/1976	Fujita et al.
4,854,897	A	8/1989	Grobber
D334,937	S	4/1993	Kerr et al.
5,848,917	A	12/1998	Bechaz et al.
D456,772	S	5/2002	Grant et al.
D457,500	S	5/2002	Blashewski et al.
D471,158	S	3/2003	Mori et al.
D471,866	S	3/2003	Yano et al.
D472,878	S	4/2003	Kitamura
D606,493	S	12/2009	Yuan
2002/0132504	A1	9/2002	Mori et al.
2002/0142643	A1	10/2002	Quinn et al.
2002/0168903	A1	11/2002	Habedank et al.
2007/0093121	A1	4/2007	Helmreich

Related U.S. Application Data

(62) Division of application No. 29/326,203, filed on Oct. 14, 2008.

Primary Examiner — Thomas J Johannes

(74) *Attorney, Agent, or Firm* — Sughrue Mion, PLLC

(30) **Foreign Application Priority Data**

Apr. 14, 2008	(EM)	000915822-0001
Apr. 14, 2008	(EM)	000915822-0002
Apr. 14, 2008	(EM)	000915822-0003
Apr. 14, 2008	(EM)	000915822-0004

(57) **CLAIM**

The ornamental designs for sockets for relays, as shown and described.

(51) **LOC (9) Cl.** **13-03**

(52) **U.S. Cl.** **D13/159**

(58) **Field of Classification Search** D13/146,
D13/147, 151, 159, 184, 199; 439/709, 715,
439/716, 717, 157; 361/823

See application file for complete search history.

DESCRIPTION

FIG. 1 is a perspective view of the top, front and left side of a socket;
FIG. 2 is a top plan view of the socket;
FIG. 3 is a bottom plan view of the socket;
FIG. 4 is a front view of the socket;
FIG. 5 is a back view of the socket;
FIG. 6 is a right side view of the socket; and,
FIG. 7 is a left side view of the socket.

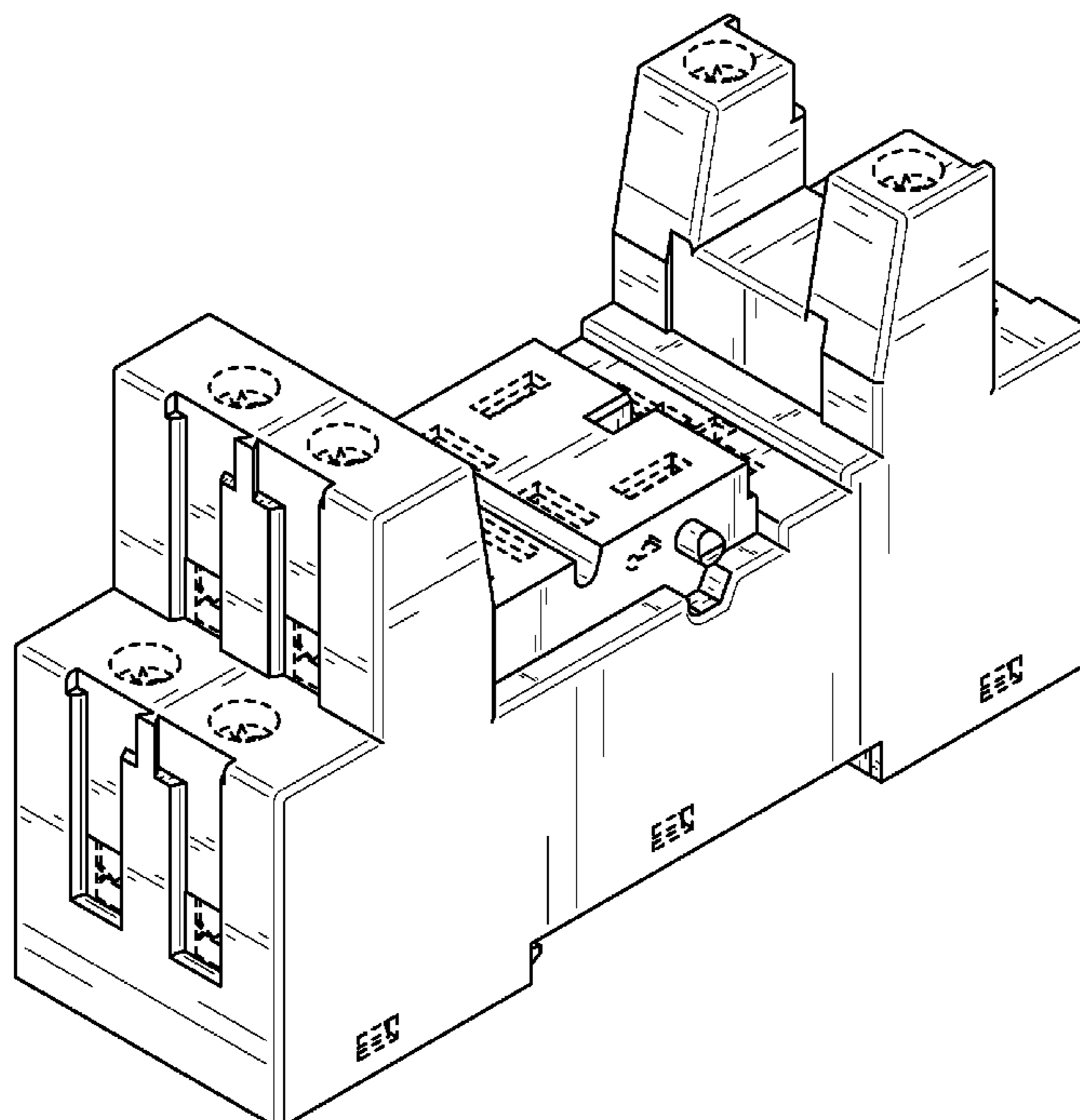
The broken line portion of the figure drawings is included to show unclaimed subject matter only and forms no part of the claimed design.

(56) **References Cited**

U.S. PATENT DOCUMENTS

D222,470	S	10/1971	Fujita et al.
3,643,210	A	2/1972	Fujita
D223,493	S	4/1972	Fujita et al.

1 Claim, 4 Drawing Sheets



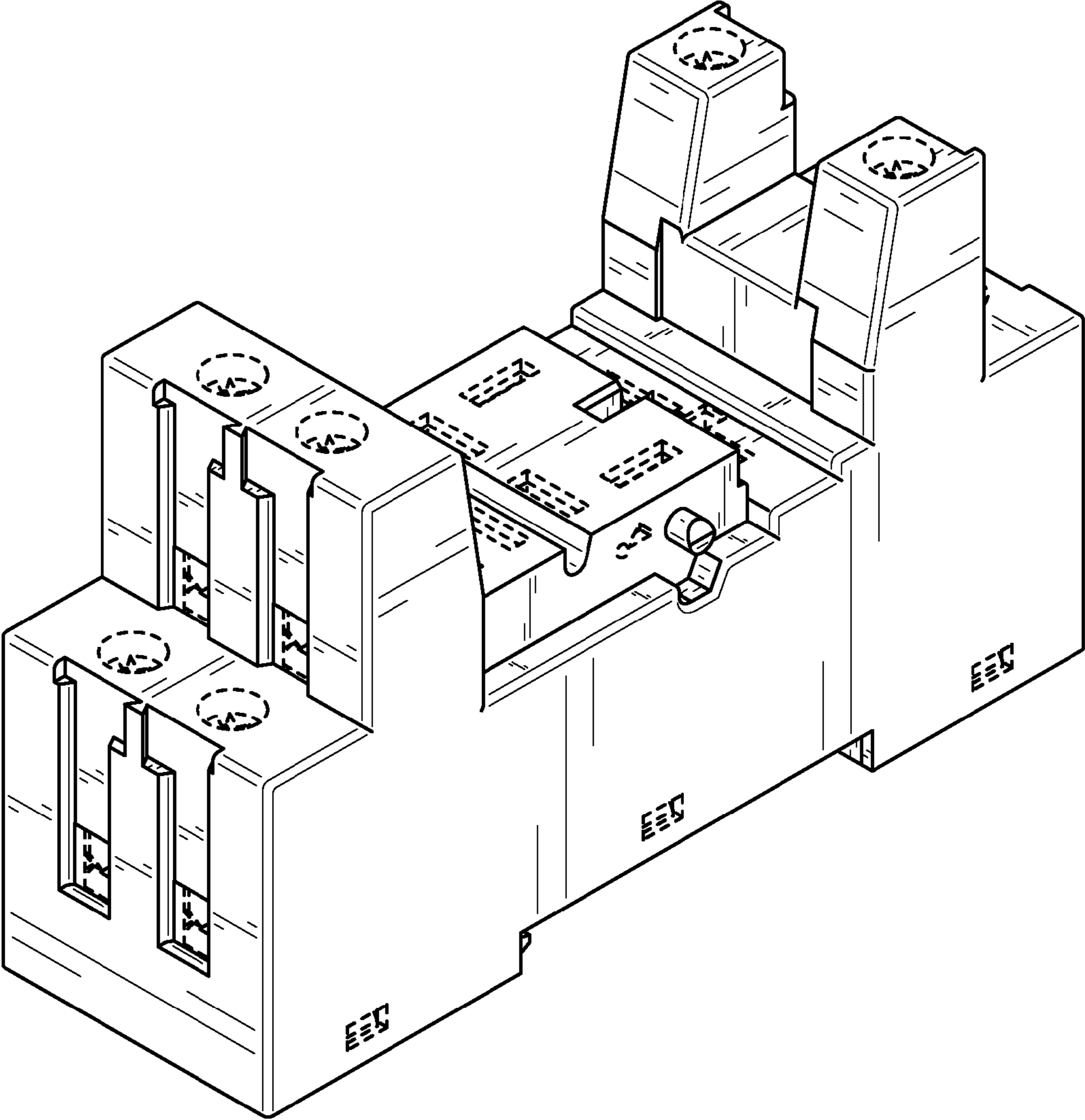


FIG. 1

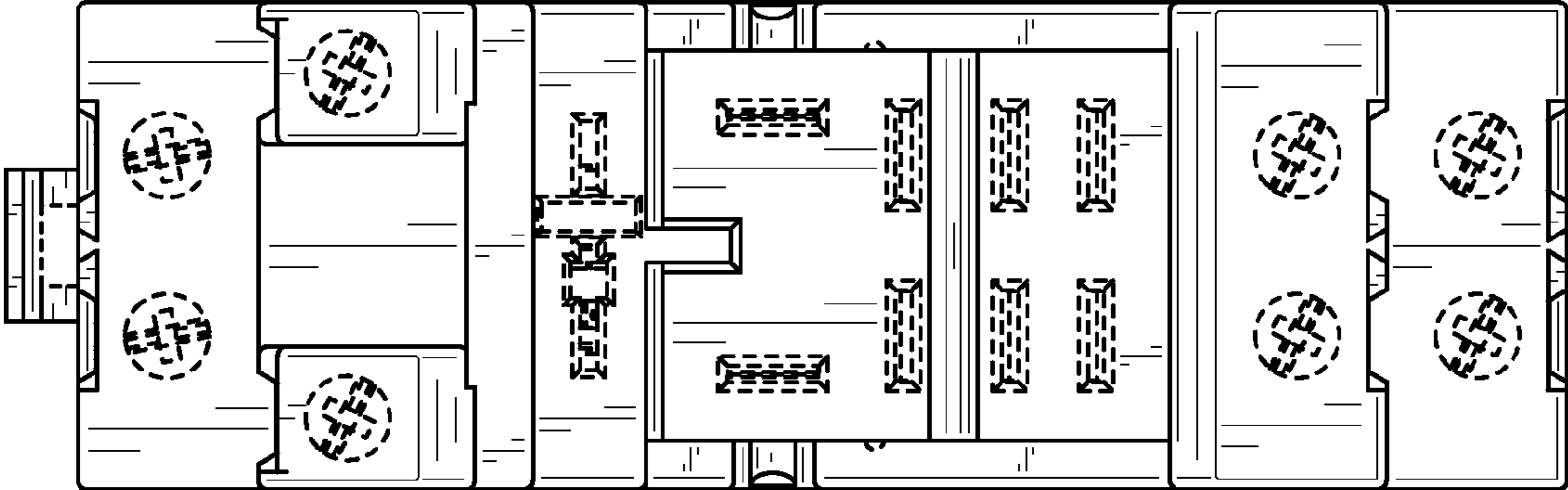


FIG. 2

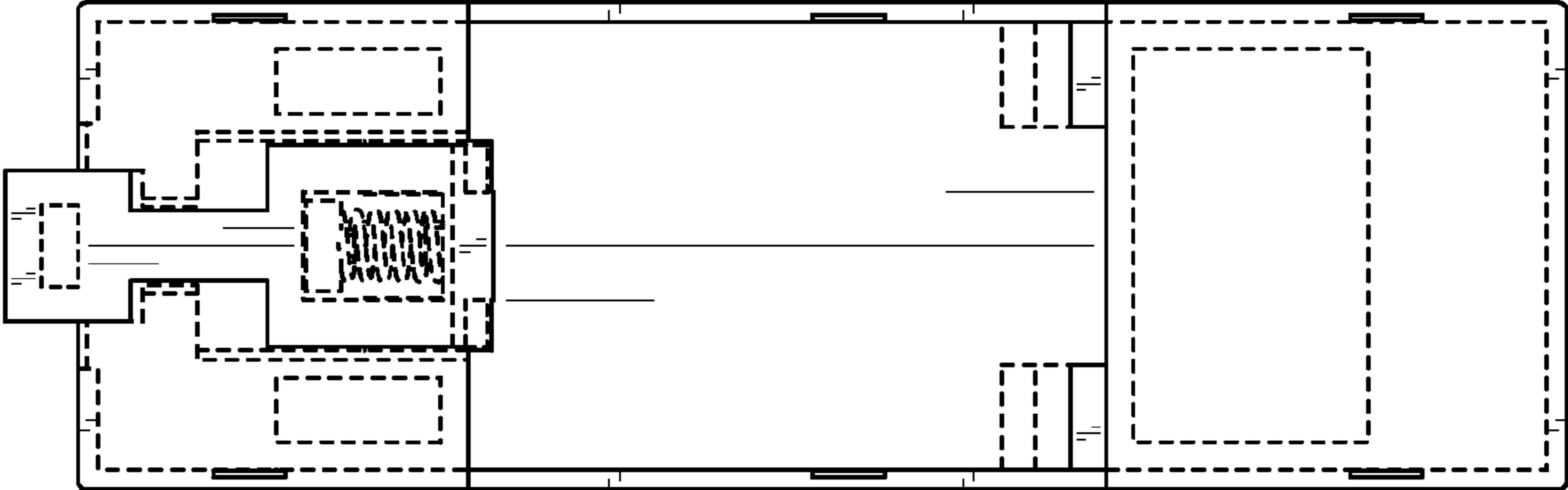


FIG. 3

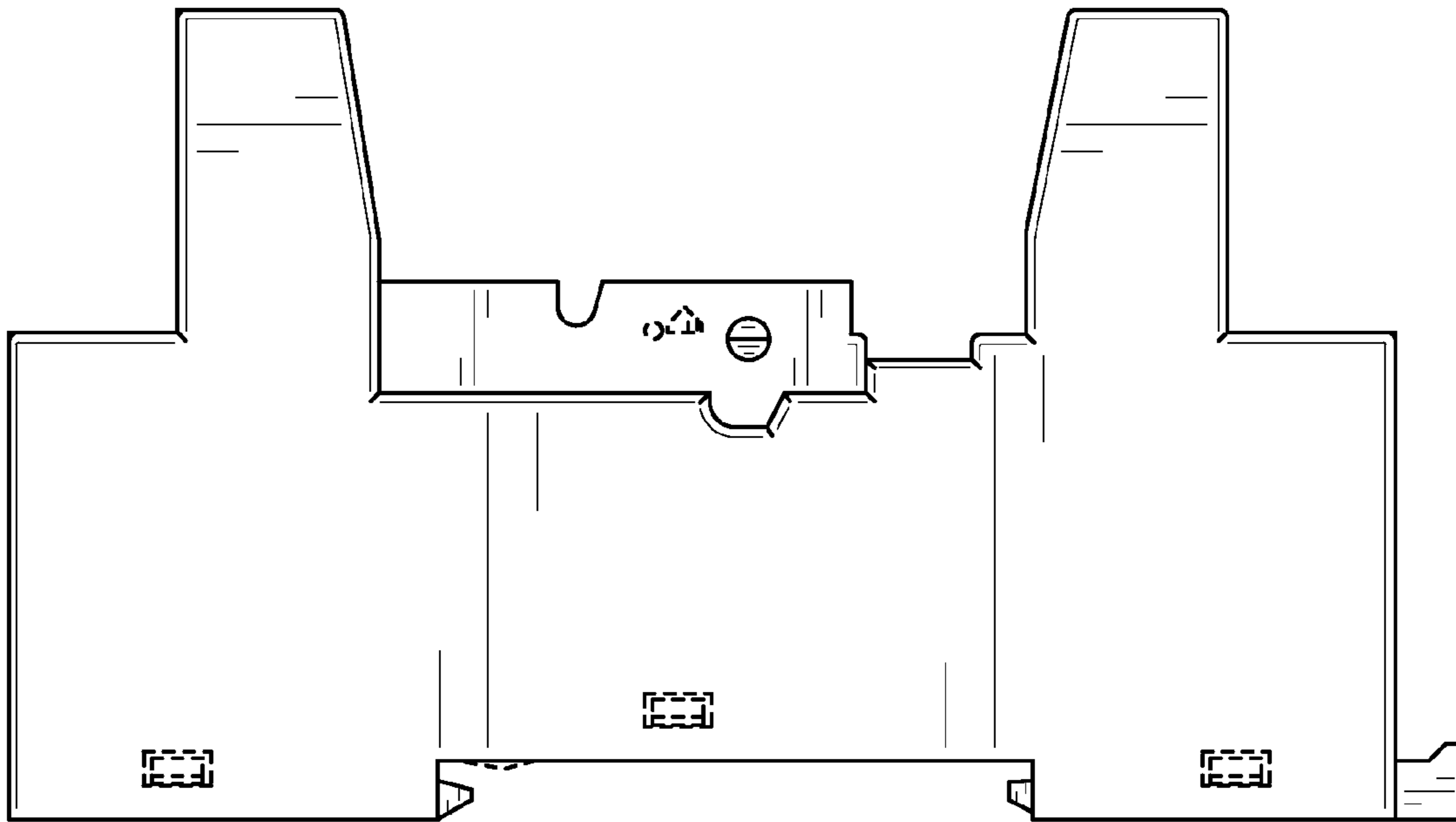


FIG. 4

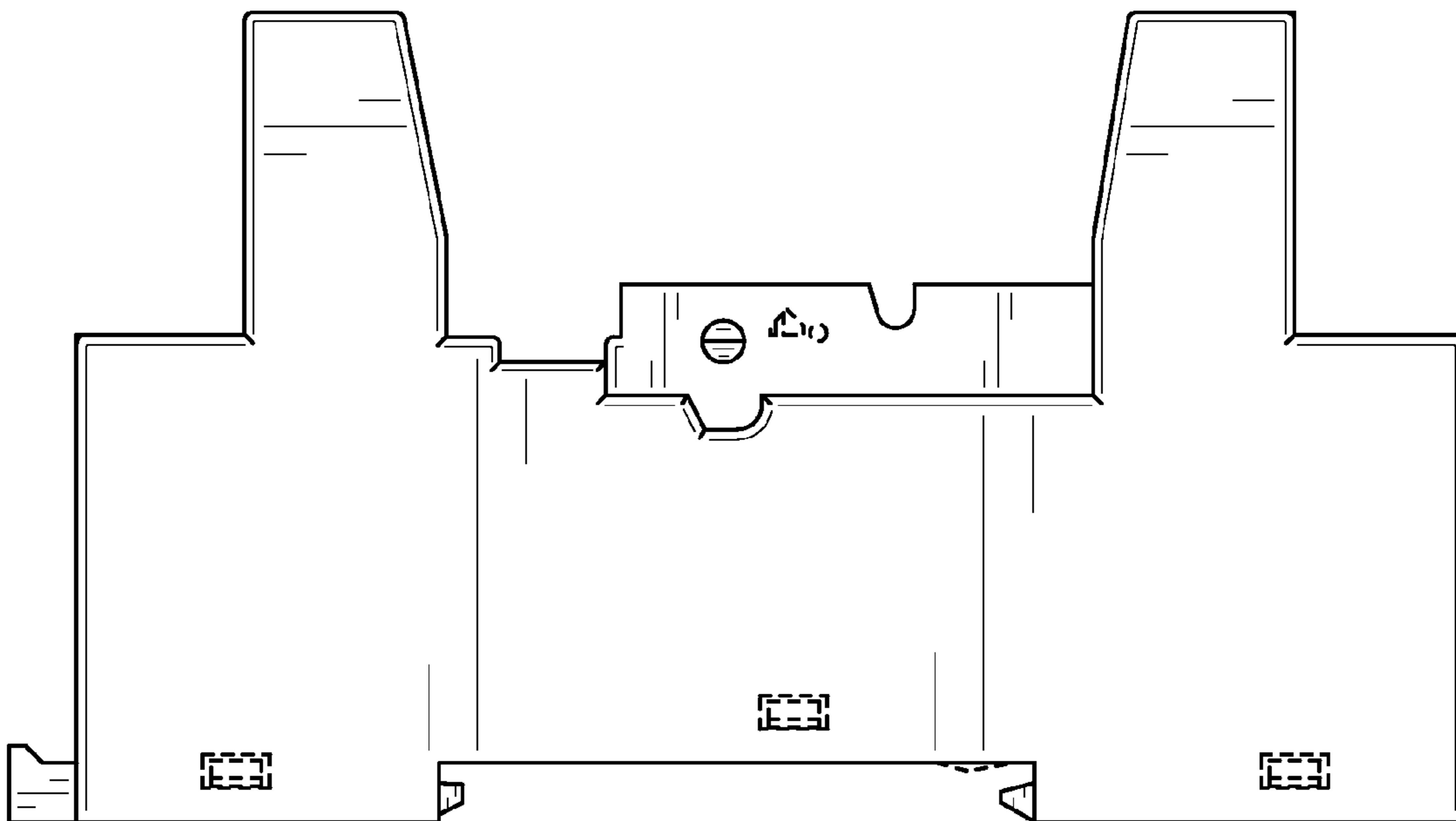


FIG. 5

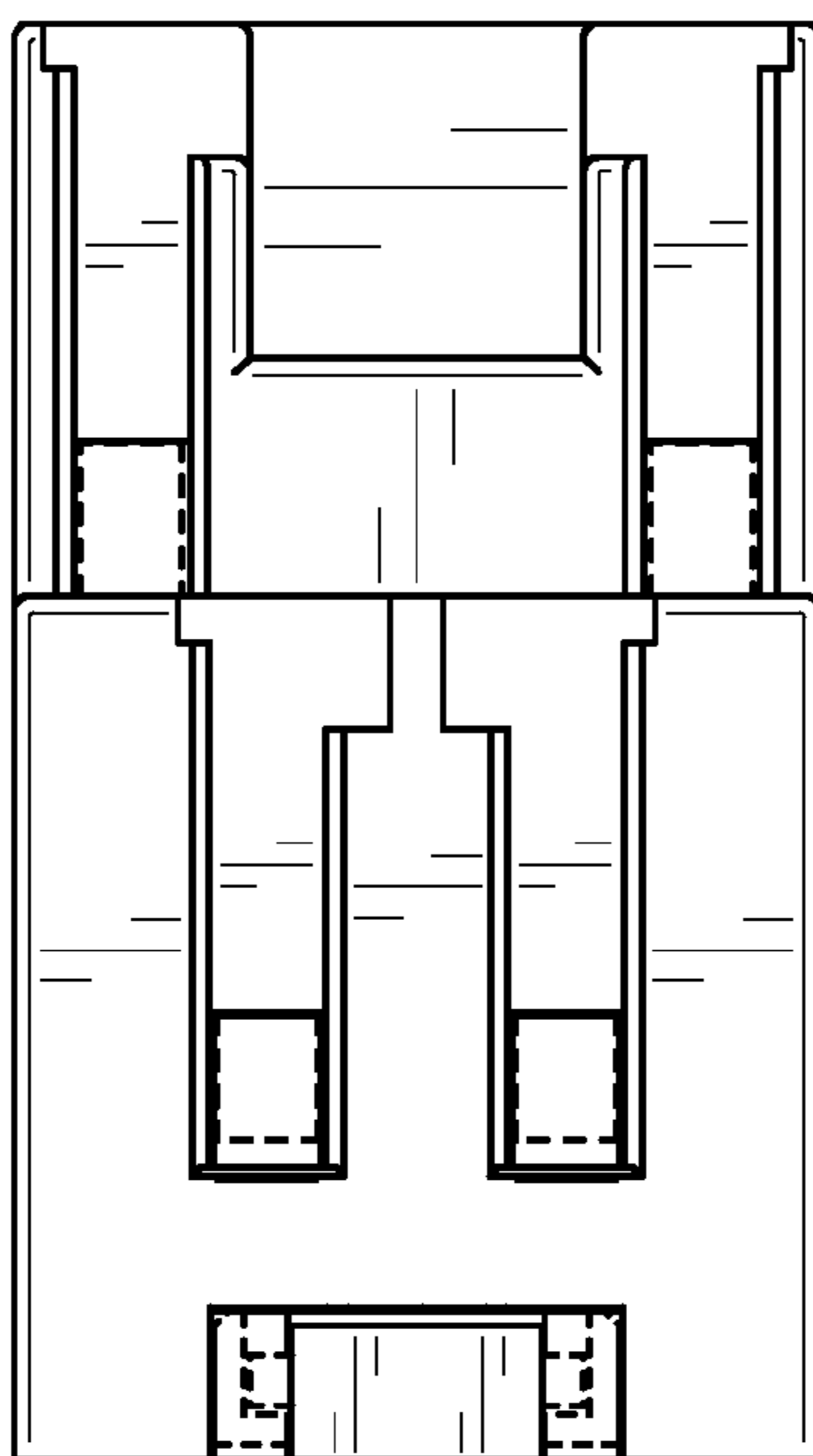


FIG. 6

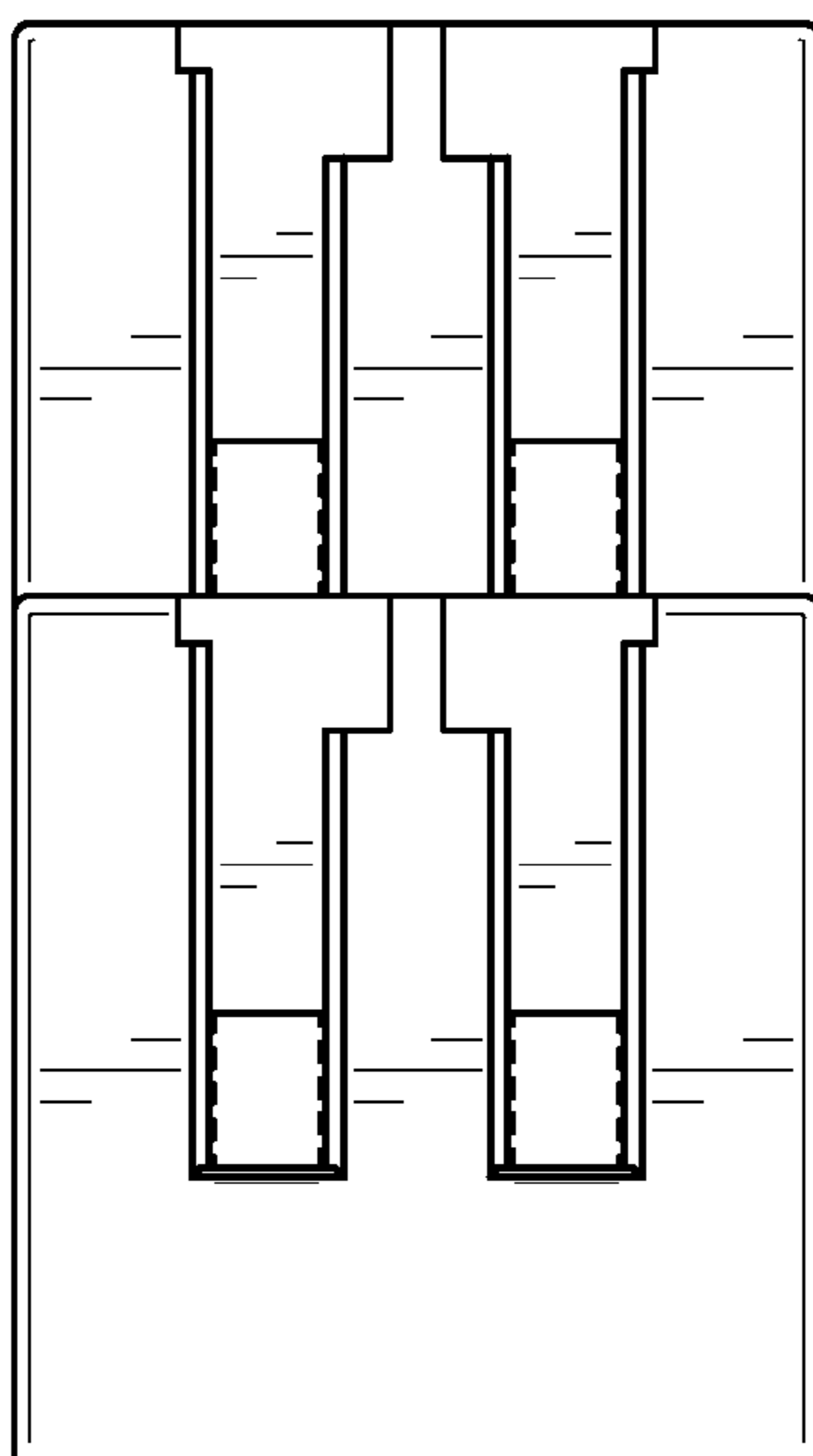


FIG. 7