



US00D638365S

(12) **United States Design Patent**  
**Hsu et al.**

(10) **Patent No.:** **US D638,365 S**

(45) **Date of Patent:** **\*\* May 24, 2011**

(54) **PLUG CONNECTOR**

(75) Inventors: **Ya-Hui Hsu**, Tu-Cheng (TW);  
**Hung-Chi Wang**, Tu-Cheng (TW);  
**Mei-Chuan Yang**, Tu-Cheng (TW)

(73) Assignee: **Cheng Uei Precision Industry Co., Ltd.**, Tu-Cheng, Taipei Hsien (TW)

(\*\*) Term: **14 Years**

(21) Appl. No.: **29/367,887**

(22) Filed: **Aug. 13, 2010**

(51) **LOC (9) Cl.** ..... **13-03**

(52) **U.S. Cl.** ..... **D13/147**

(58) **Field of Classification Search** ..... D13/133,  
D13/146-147, 154, 184; 439/538, 539, 607.01,  
439/607.04, 607.05, 607.17, 607.25, 607.34,  
439/607.41, 607.53, 660, 676, 680, 712,  
439/716

See application file for complete search history.

(56) **References Cited**

U.S. PATENT DOCUMENTS

D390,828 S \* 2/1998 Aramaki ..... D13/147  
D490,377 S \* 5/2004 Sato ..... D13/147  
D517,489 S \* 3/2006 Kawase et al. .... D13/147

D552,553 S \* 10/2007 Lin et al. .... D13/147  
D587,209 S \* 2/2009 Tsai et al. .... D13/147  
D617,282 S \* 6/2010 Tung et al. .... D13/147

\* cited by examiner

*Primary Examiner* — Daniel D Bui

(74) *Attorney, Agent, or Firm* — Cheng-Ju Chiang

(57) **CLAIM**

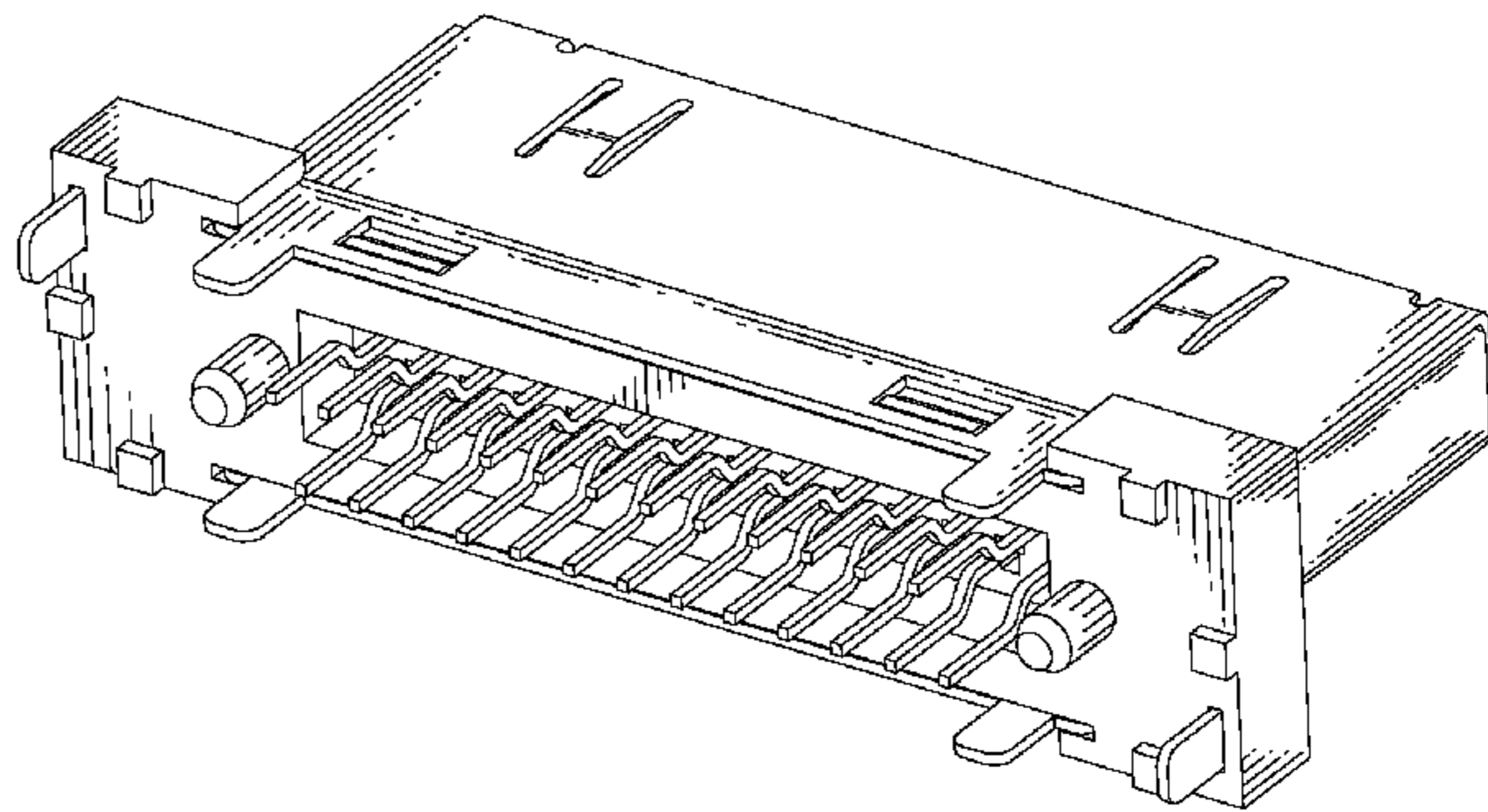
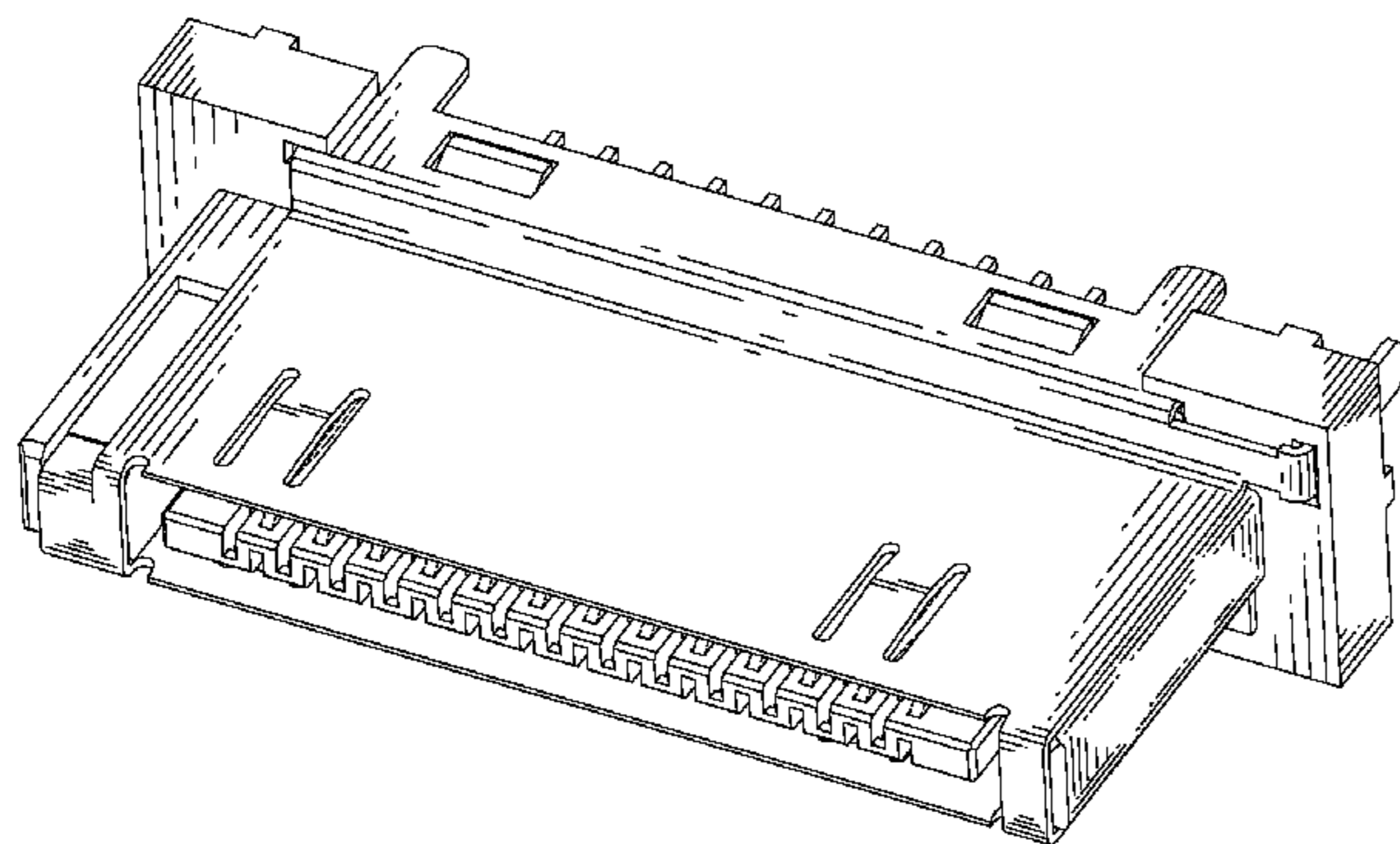
The ornamental design for a plug connector, as shown and described.

**DESCRIPTION**

FIG. 1 is a perspective view of a plug connector showing our new design;  
FIG. 2 is a front elevational view thereof;  
FIG. 3 is a rear elevational view thereof;  
FIG. 4 is a left side elevational view thereof;  
FIG. 5 is a right side elevational view thereof;  
FIG. 6 is a top plan view thereof;  
FIG. 7 is a bottom plan view thereof; and,  
FIG. 8 is another perspective view of the plug connector showing our new design.

The broken line portion of the figure drawings is included to show unclaimed subject matter only and forms no part of the claimed design.

**1 Claim, 8 Drawing Sheets**



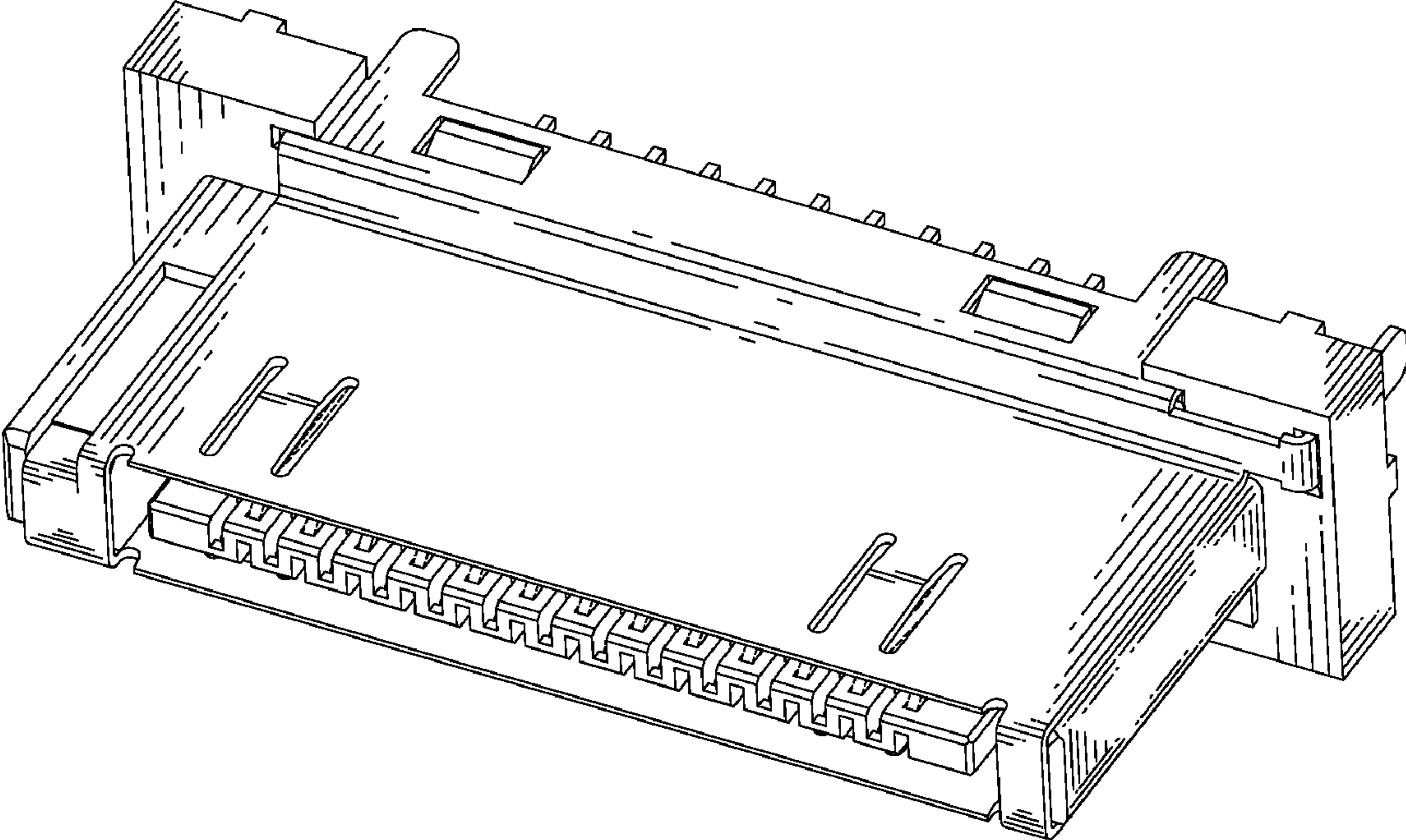


FIG. 1

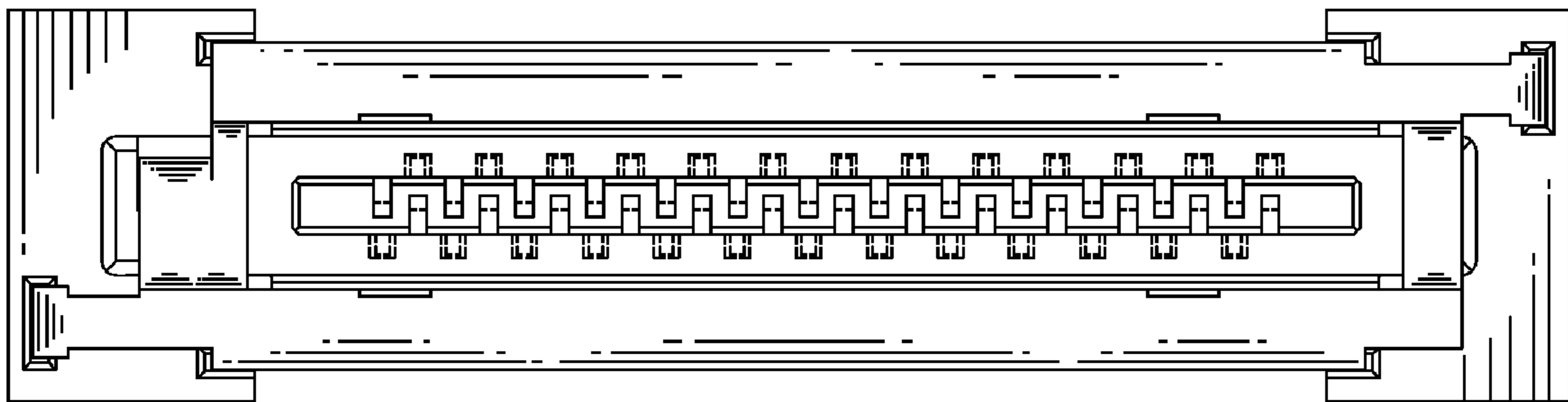


FIG. 2

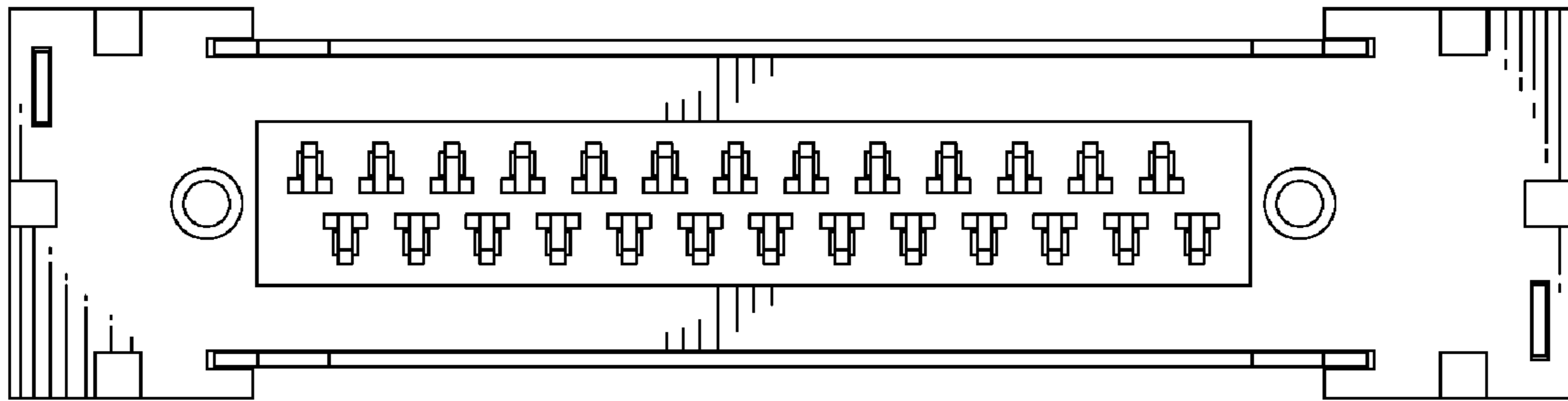


FIG. 3

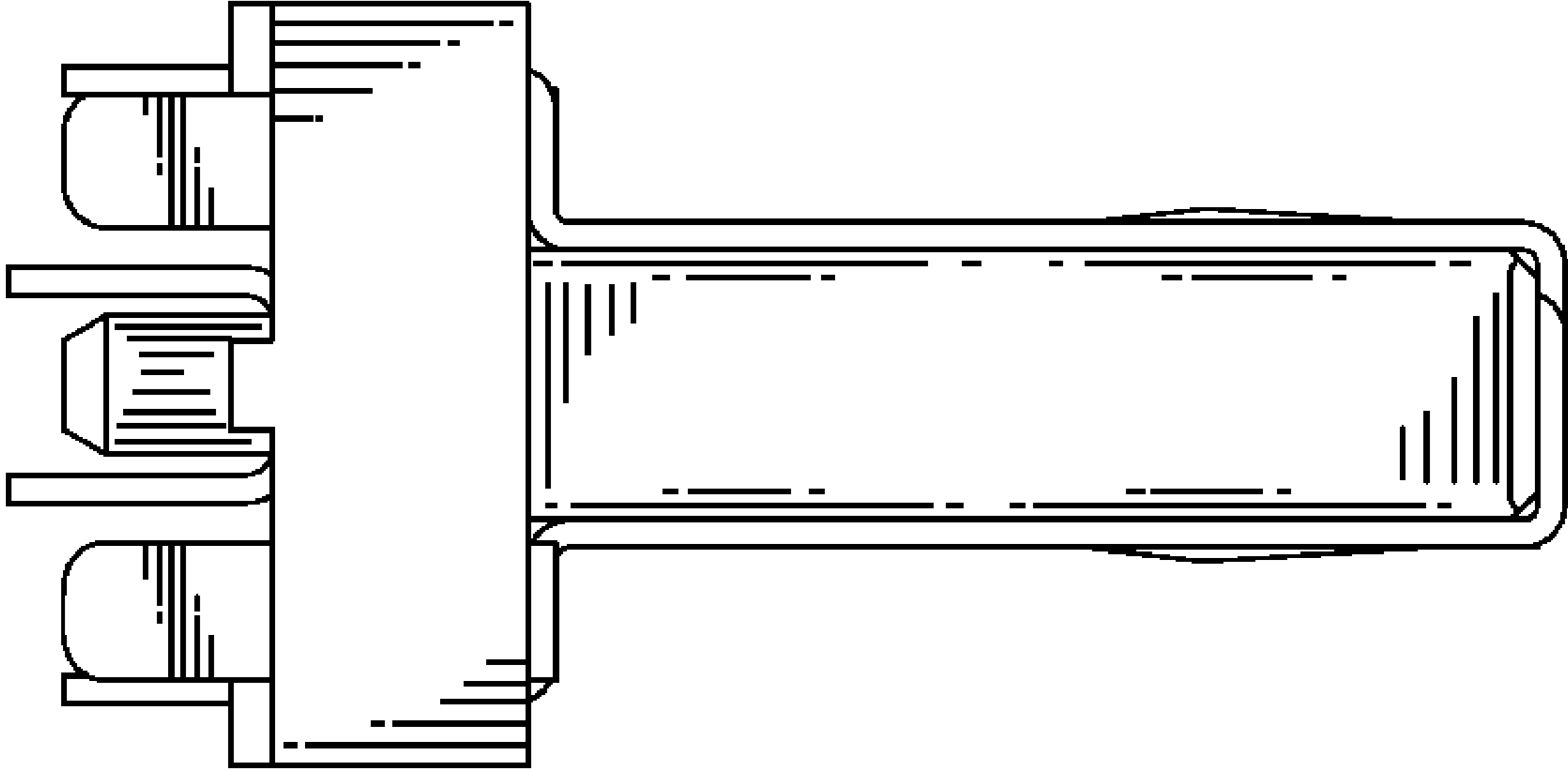


FIG. 4

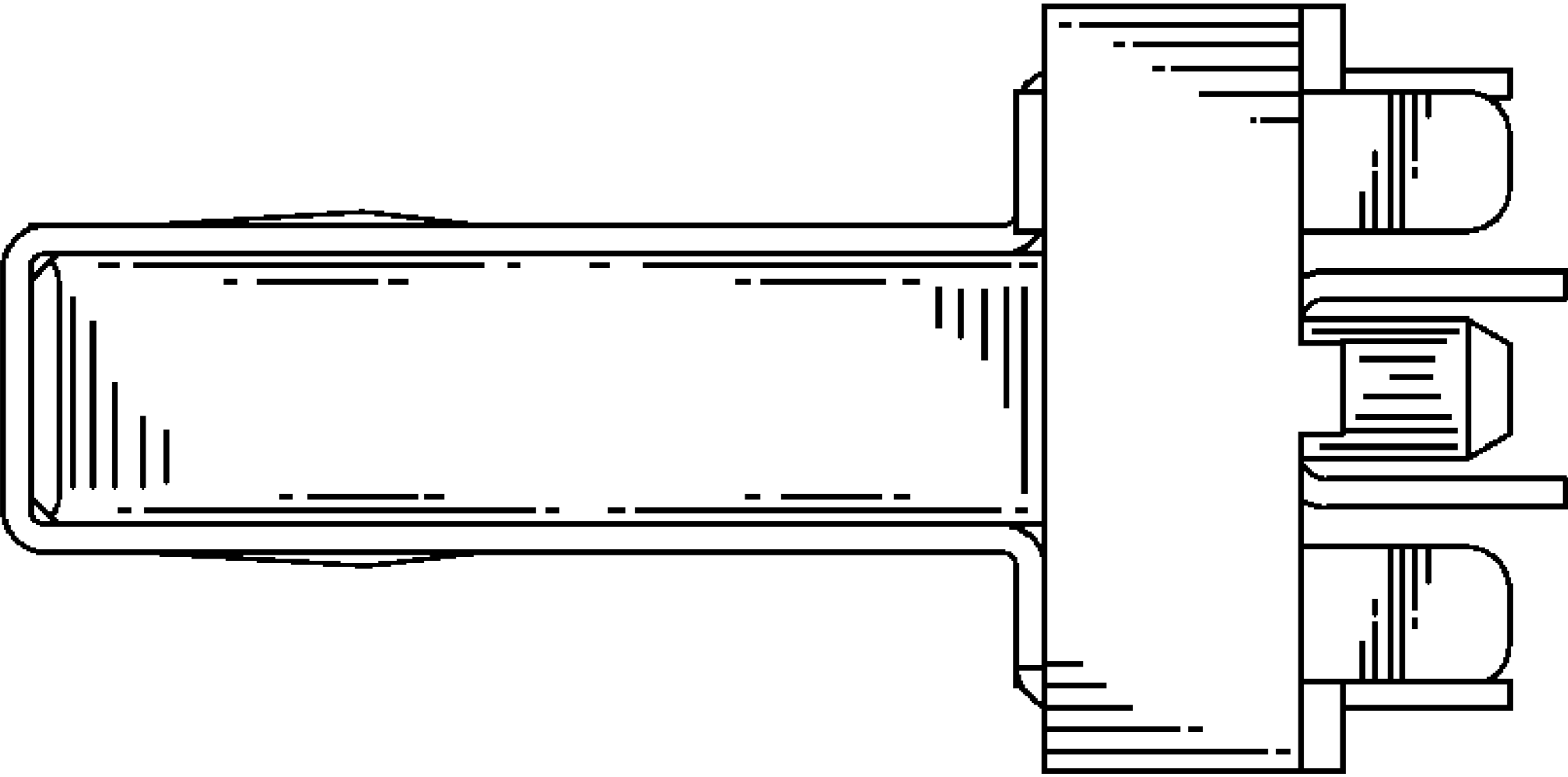


FIG. 5

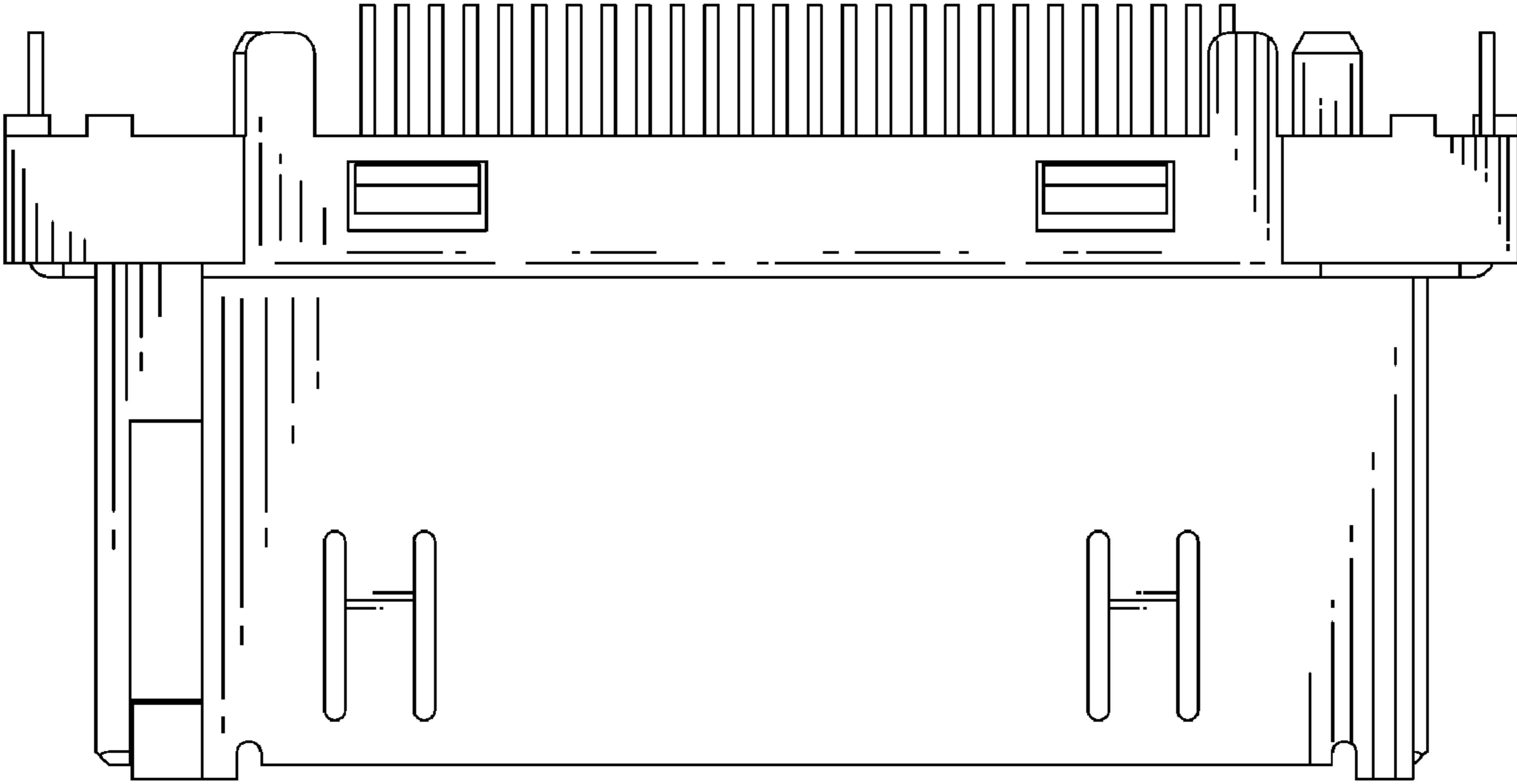


FIG. 6

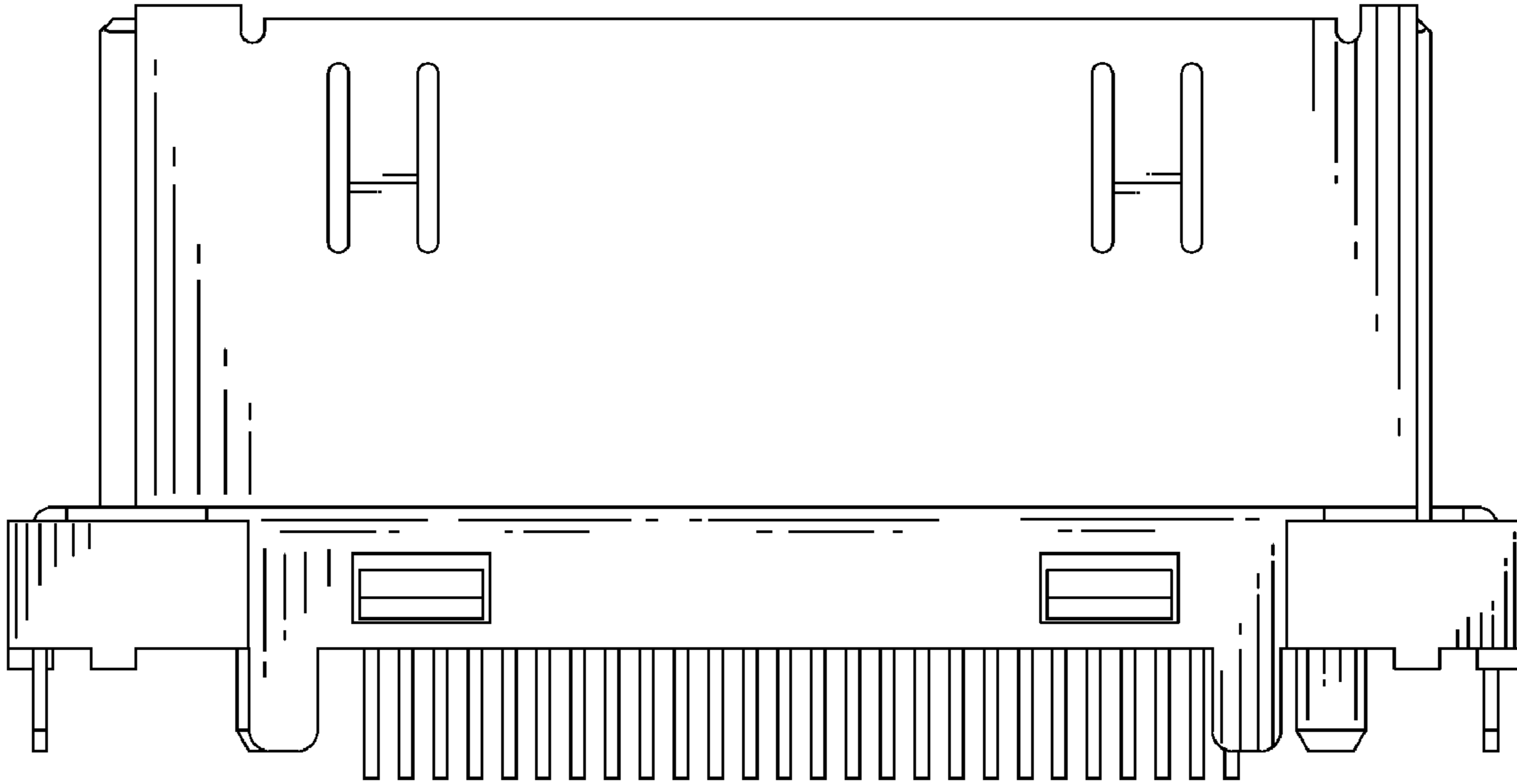


FIG. 7



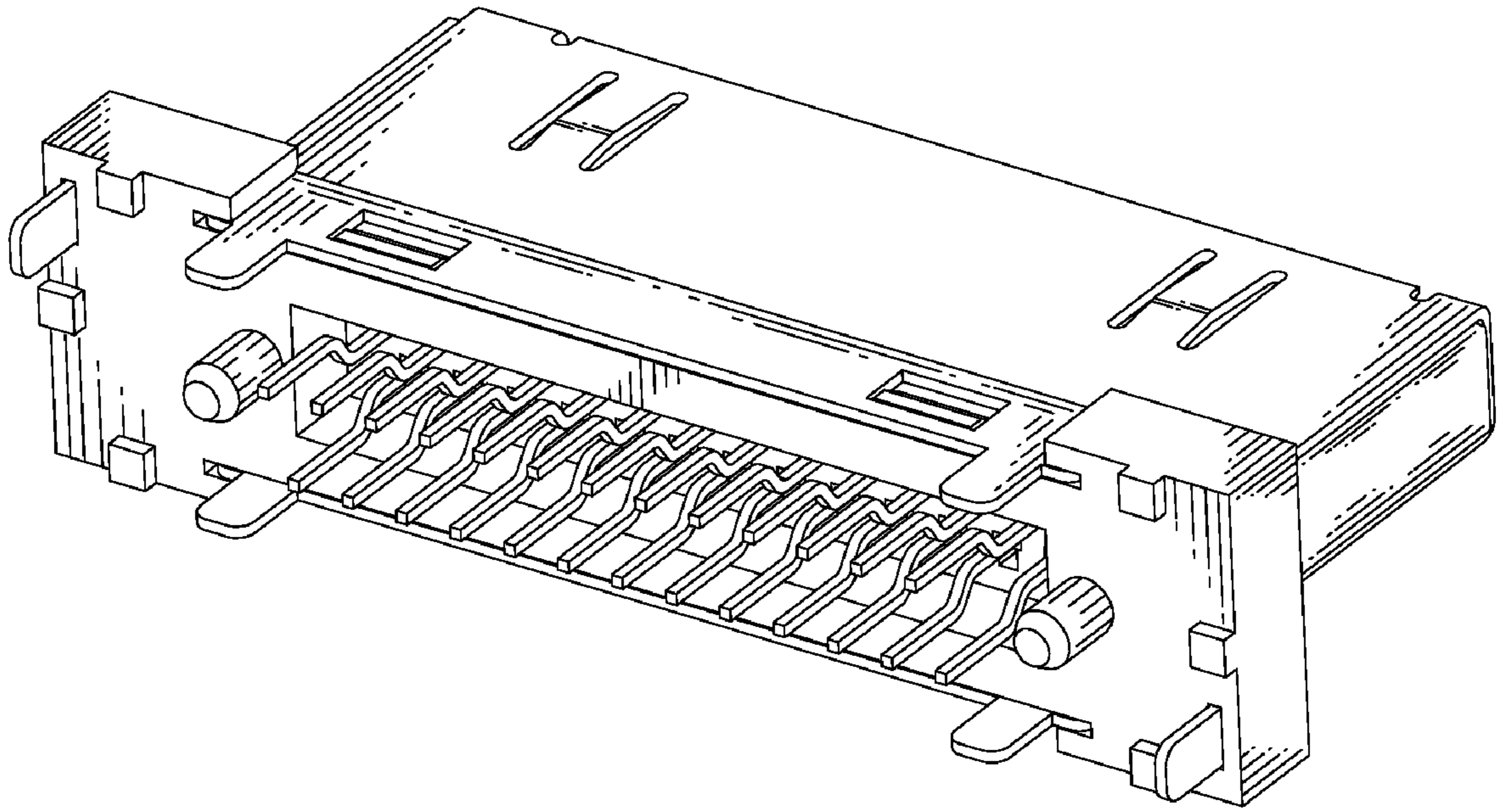


FIG. 8