



US00D638364S

(12) **United States Design Patent**  
**Ledbetter et al.**

(10) **Patent No.:** **US D638,364 S**

(45) **Date of Patent:** **\*\* May 24, 2011**

(54) **CONNECTOR PLUG**

(75) Inventors: **Carl J. Ledbetter**, Mercer Island, WA (US); **Alex Diener**, Seattle, WA (US); **Claire M. Gerhardt**, Seattle, WA (US)

(73) Assignee: **Microsoft Corporation**, Redmond, WA (US)

(\*\*) Term: **14 Years**

(21) Appl. No.: **29/362,456**

(22) Filed: **May 25, 2010**

(51) **LOC (9) Cl.** ..... **13-03**

(52) **U.S. Cl.** ..... **D13/147**

(58) **Field of Classification Search** ..... D13/133, D13/146-147, 153, 154, 156, 184; 439/79, 439/248, 258, 274, 350, 353, 358, 447, 476.1, 439/607.01, 607.04, 607.05, 607.17, 607.25, 439/607.34, 607.41, 607.53, 660, 668, 680  
See application file for complete search history.

(56) **References Cited**

**U.S. PATENT DOCUMENTS**

D414,743	S	*	10/1999	Katoh	.....	D13/147
D482,330	S	*	11/2003	Suzuki et al.	.....	D13/147
D558,145	S		12/2007	Stavoe et al.		
D559,193	S		1/2008	Stavoe et al.		
D576,619	S	*	9/2008	Udagawa et al.	.....	D14/358
D584,238	S	*	1/2009	Victor	.....	D13/156
D588,545	S	*	3/2009	Andre et al.	.....	D13/154

D600,652	S	*	9/2009	Hong et al.	.....	D13/154
D610,547	S	*	2/2010	Zhao et al.	.....	D13/147
D619,963	S	*	7/2010	Hou	.....	D13/133

**OTHER PUBLICATIONS**

Images of Microsoft Xbox 360 video connectors, date believed to be 2005.

\* cited by examiner

*Primary Examiner* — Daniel D Bui

(74) *Attorney, Agent, or Firm* — Banner & Witcoff, Ltd.

(57) **CLAIM**

The ornamental design for a connector plug, as shown and described.

**DESCRIPTION**

FIG. 1 is a front perspective view of a connector plug showing our new design;

FIG. 2 is a top view thereof;

FIG. 3 is a bottom view thereof;

FIG. 4 is a right side view thereof;

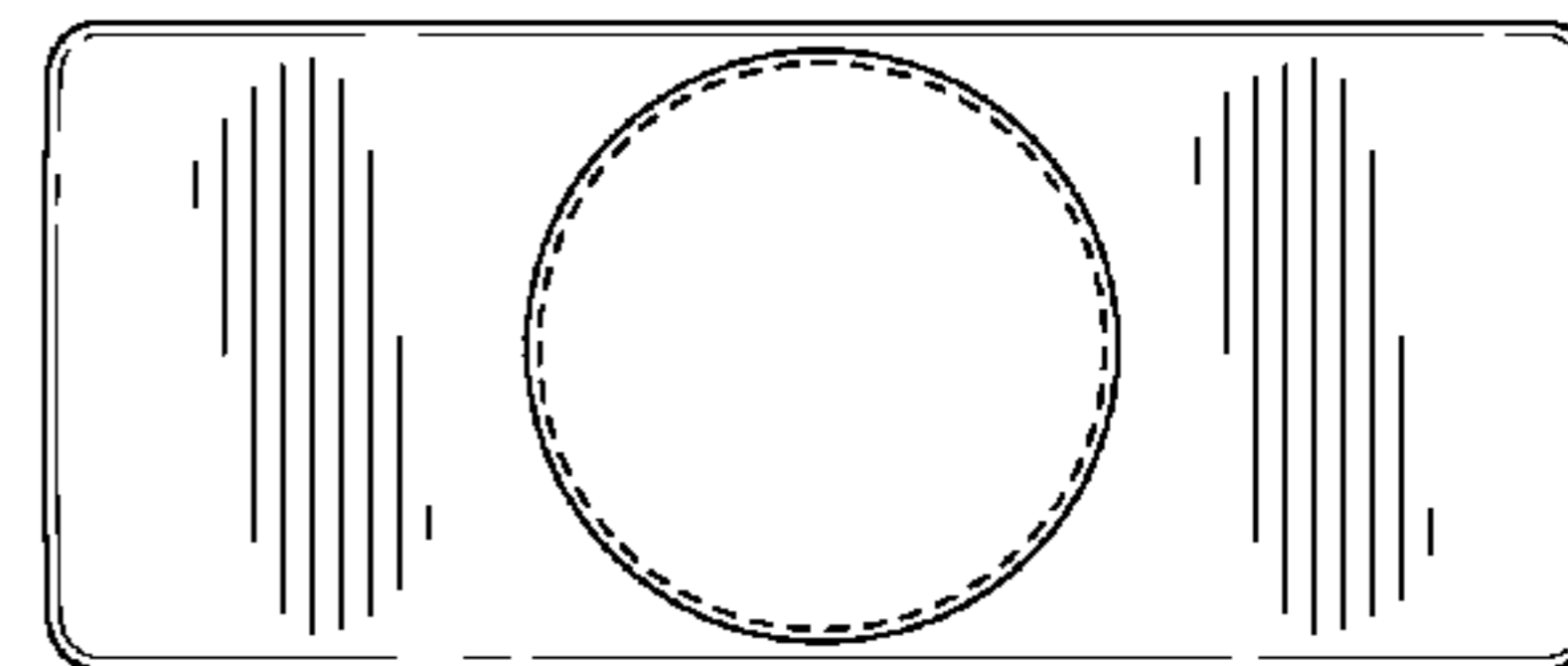
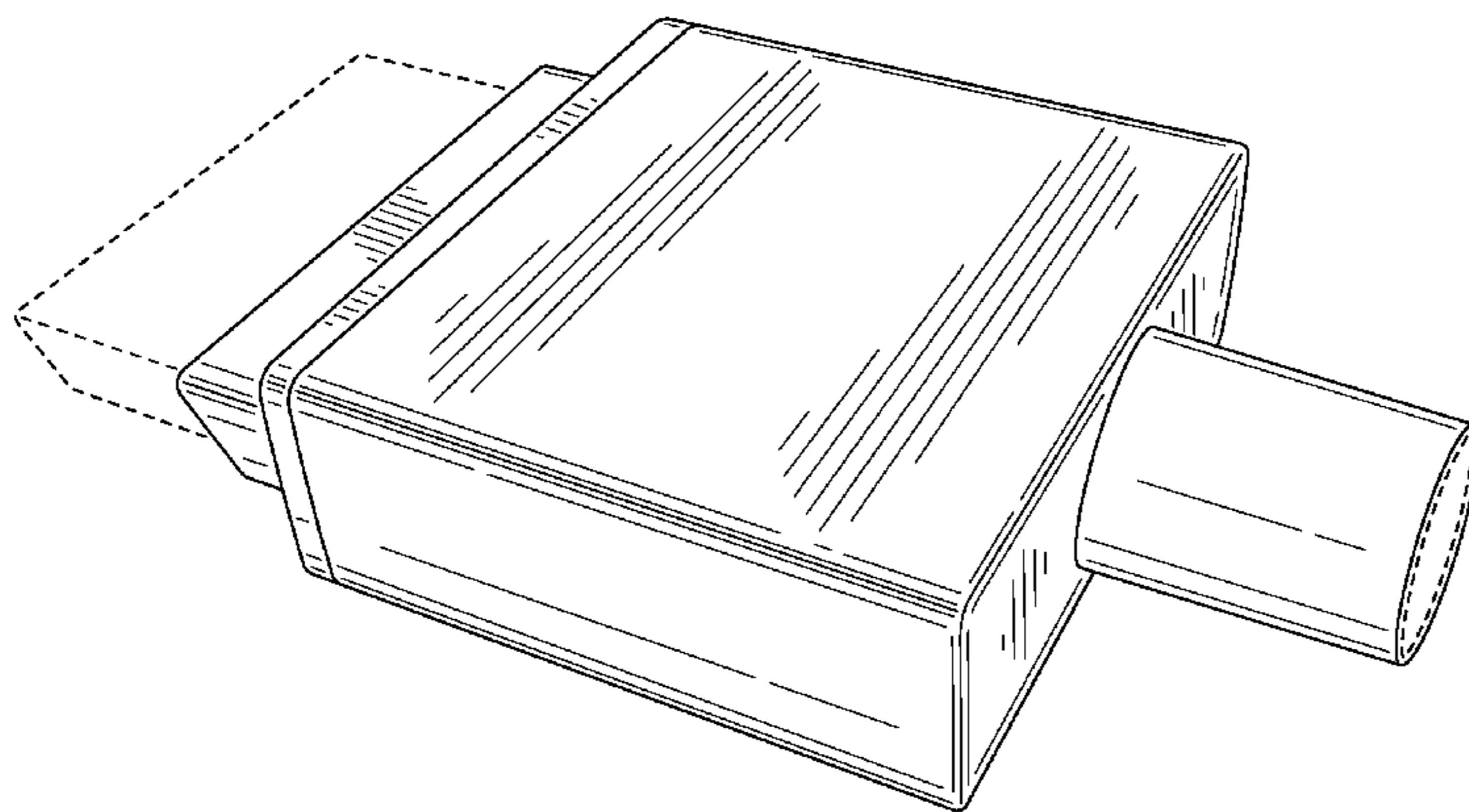
FIG. 5 is a left side view thereof;

FIG. 6 is a front view thereof; and,

FIG. 7 is a rear view thereof.

The broken line portion of the figure drawings is included to show unclaimed subject matter only and forms no part of the claimed design.

**1 Claim, 5 Drawing Sheets**



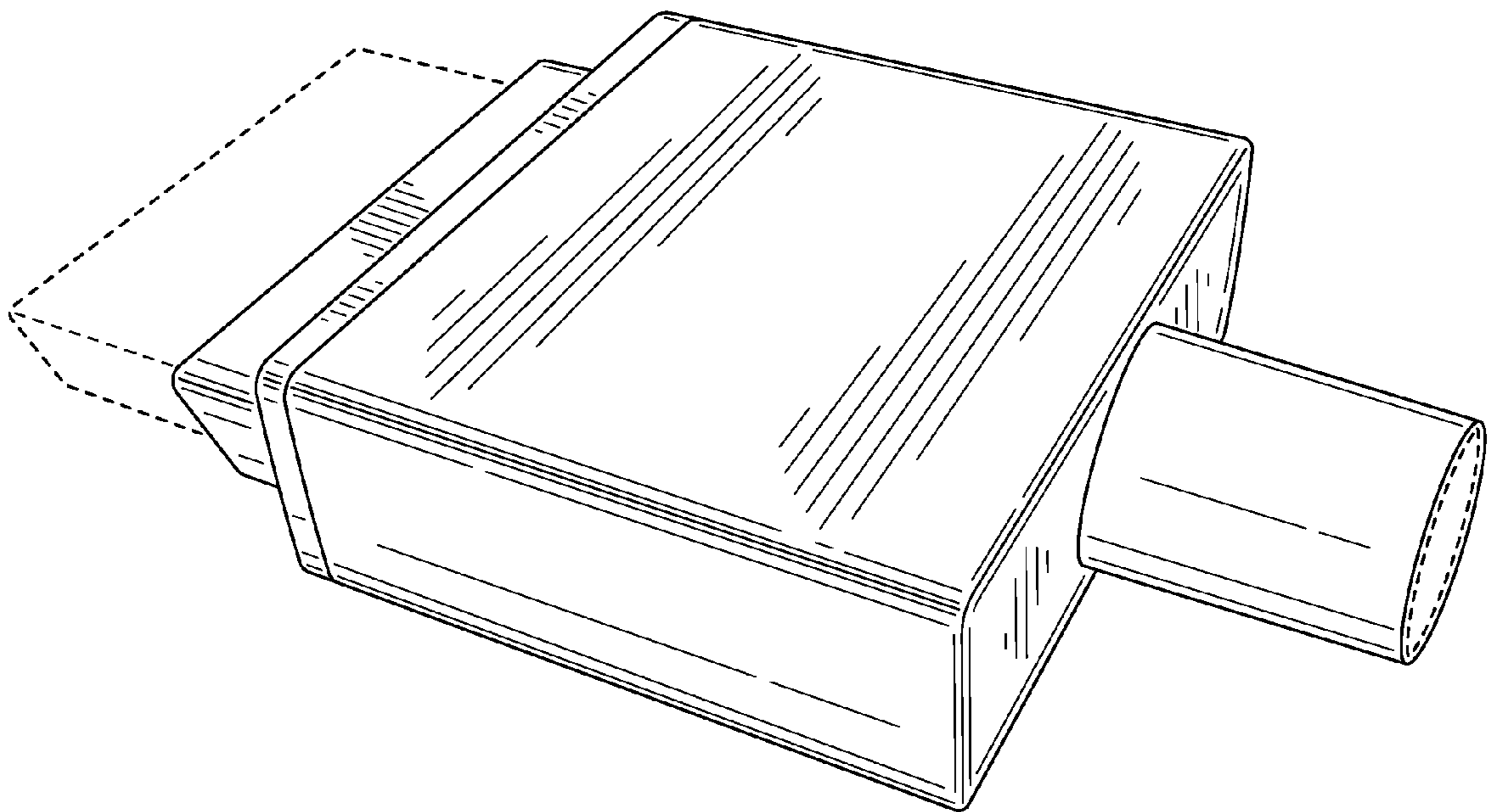


FIG. 1

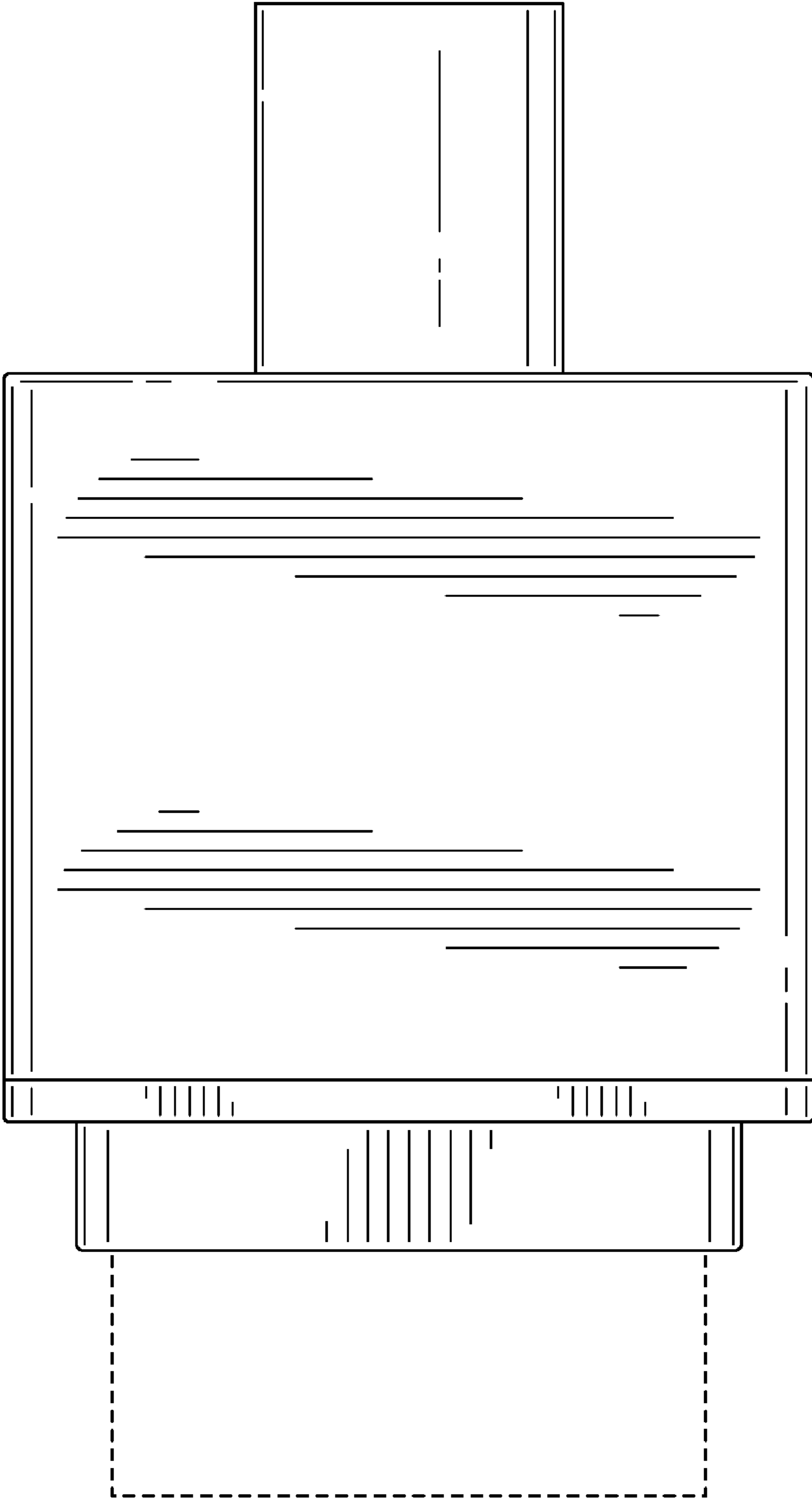


FIG. 2

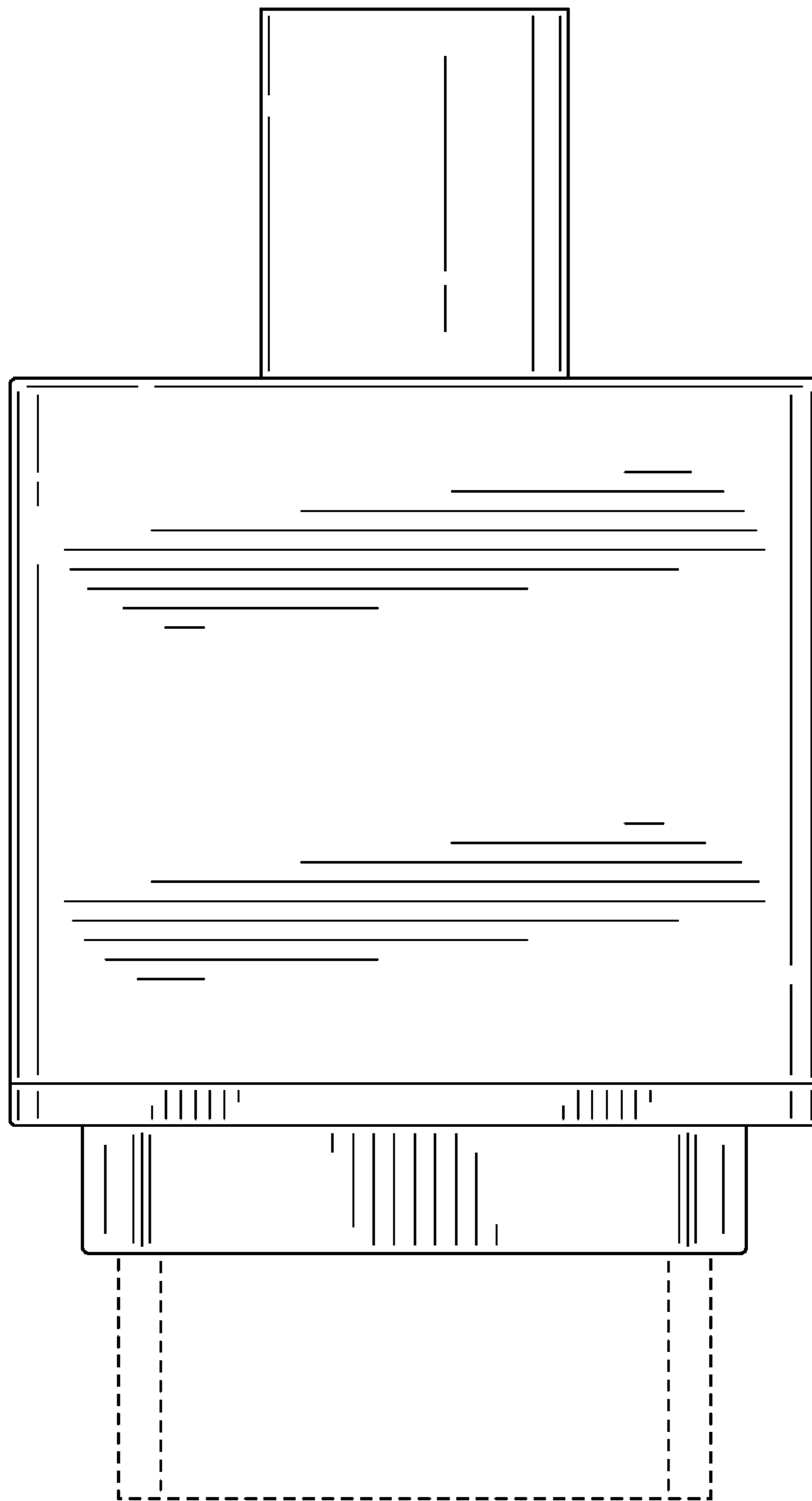


FIG. 3

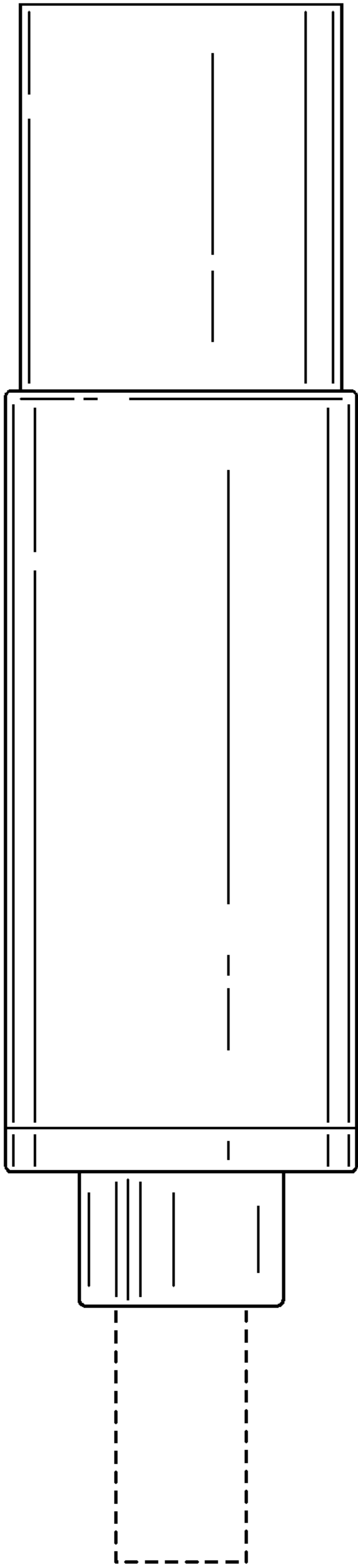


FIG. 4

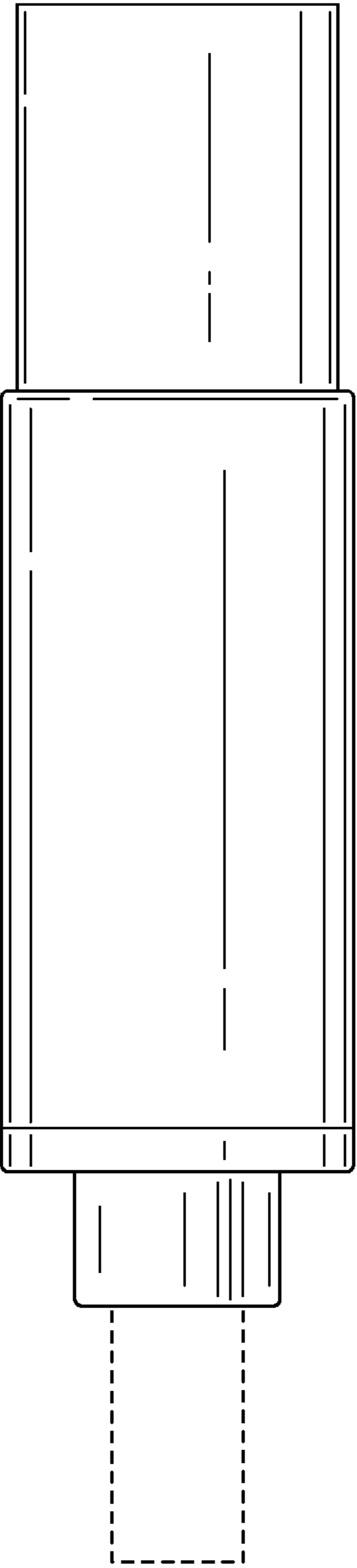


FIG. 5

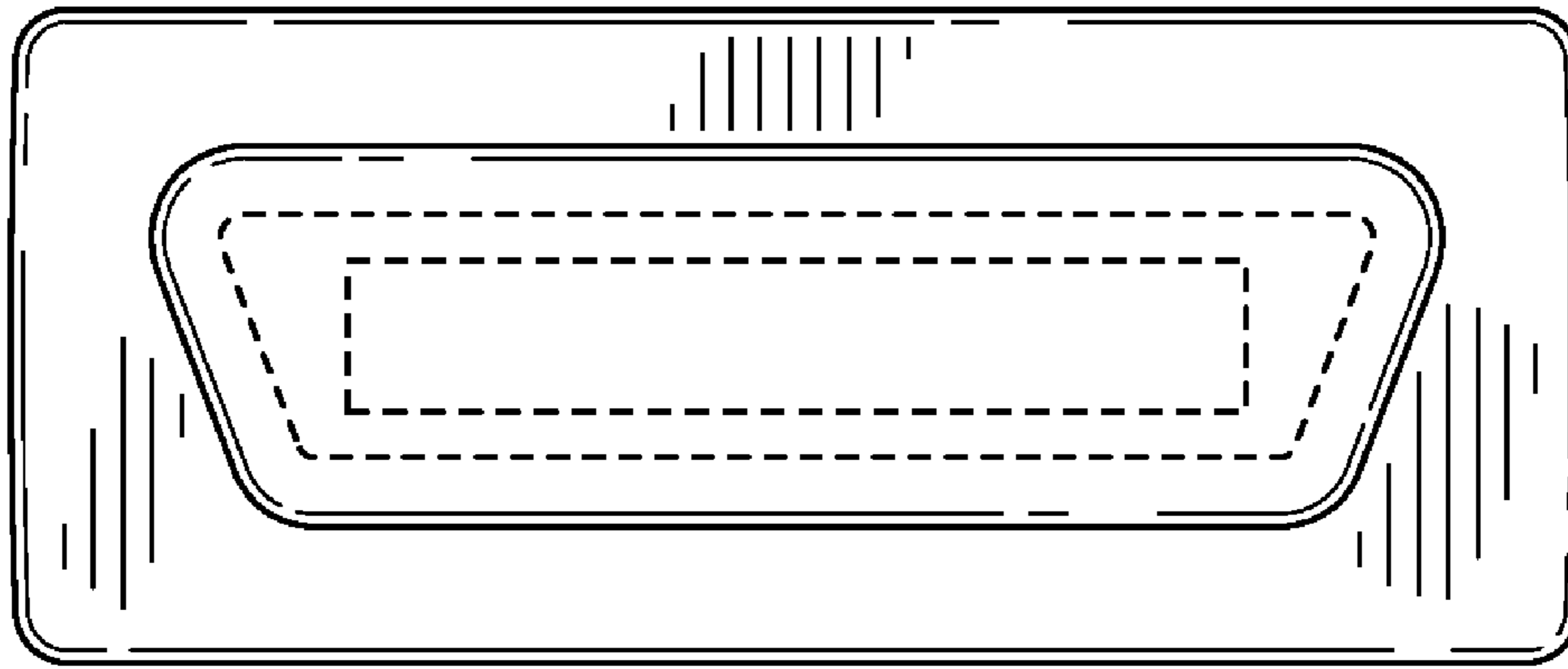


FIG. 6

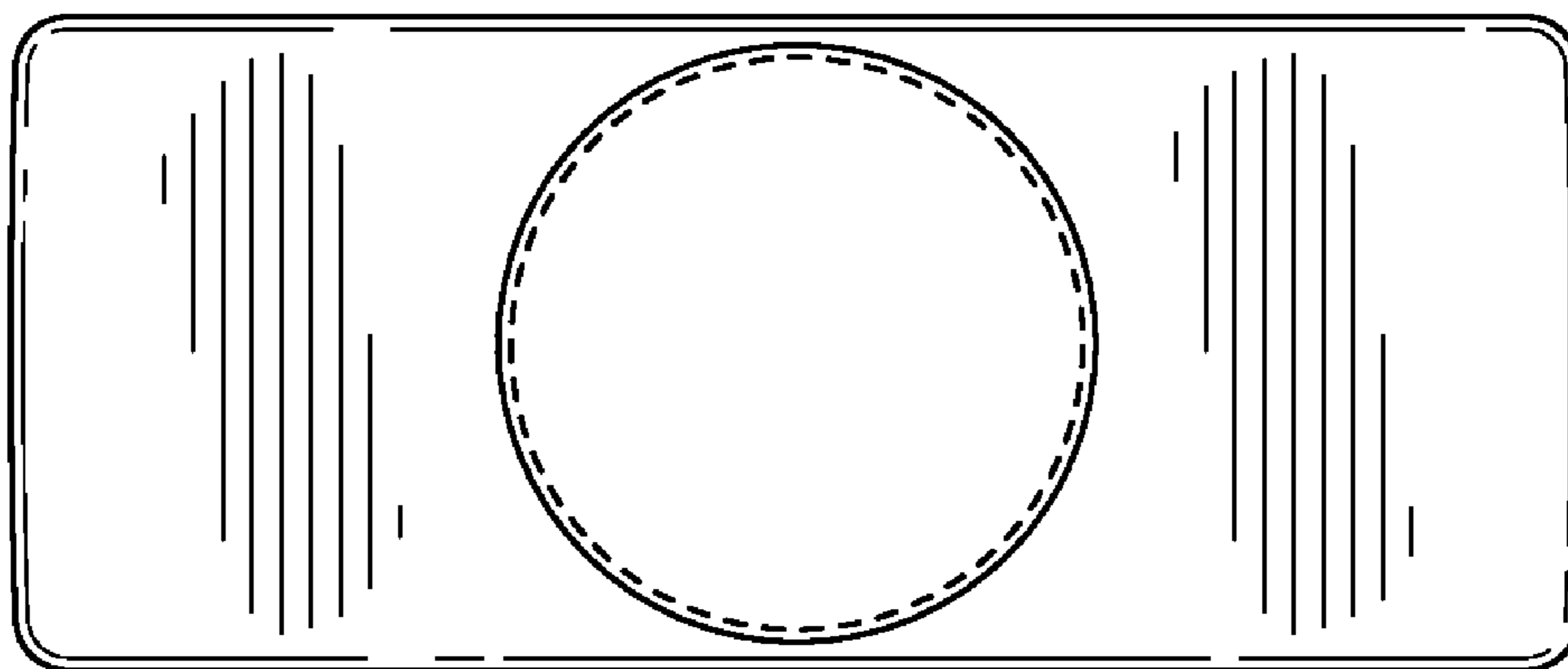


FIG. 7