



US00D638360S

(12) **United States Design Patent**
Kan

(10) **Patent No.:** **US D638,360 S**

(45) **Date of Patent:** **** May 24, 2011**

(54) **POP-UP SOCKET**

(75) Inventor: **Chi Hang Kan**, New Territories (HK)

(73) Assignee: **Luen Yick Electrical Mfg. Co., Ltd.**,
New Territories (HK)

(**) Term: **14 Years**

(21) Appl. No.: **29/364,802**

(22) Filed: **Jun. 29, 2010**

(51) **LOC (9) Cl.** **13-03**

(52) **U.S. Cl.** **D13/139.4**

(58) **Field of Classification Search** ... D13/137.1-137.4,
D13/139.1-139.8, 160, 162, 164, 178, 184,
D13/199; 361/118, 119; 439/106-108, 131,
439/133-136, 141, 188, 535, 571, 650-654;
174/480, 482-483, 486-489, 53, 55-57
See application file for complete search history.

(56) **References Cited**

U.S. PATENT DOCUMENTS

5,351,173	A	*	9/1994	Byrne	362/127
D372,018	S	*	7/1996	Byrne	D13/139.4
5,705,772	A	*	1/1998	Brown	174/487
D407,373	S	*	3/1999	Byrne	D13/139.4
D450,038	S	*	11/2001	Yu	D13/139.4
D450,656	S	*	11/2001	Stekelenburg	D13/139.4
D456,357	S	*	4/2002	Gershfeld	D13/139.4
D460,415	S	*	7/2002	Stekelenburg	D13/139.4

D484,097	S	*	12/2003	Drane et al.	D13/139.4
D515,033	S	*	2/2006	Petrick et al.	D13/139.4
D515,503	S	*	2/2006	Lee	D13/139.4
D521,452	S	*	5/2006	Mori et al.	D13/139.8
D526,961	S	*	8/2006	Kissinger et al.	D13/139.4
D534,495	S	*	1/2007	Gershfeld	D13/139.4
D537,039	S	*	2/2007	Pincek	D13/139.4
D549,657	S	*	8/2007	Ng	D13/139.8

* cited by examiner

Primary Examiner — Rosemary K Tarcza

(74) *Attorney, Agent, or Firm* — Rabin & Berdo, P.C.

(57) **CLAIM**

The ornamental design for a pop-up socket, as shown and described.

DESCRIPTION

FIG. 1 is a front view of a pop-up socket showing my new design;

FIG. 2 is a left view thereof, the right side view being a mirror image thereof;

FIG. 3 is a top view thereof;

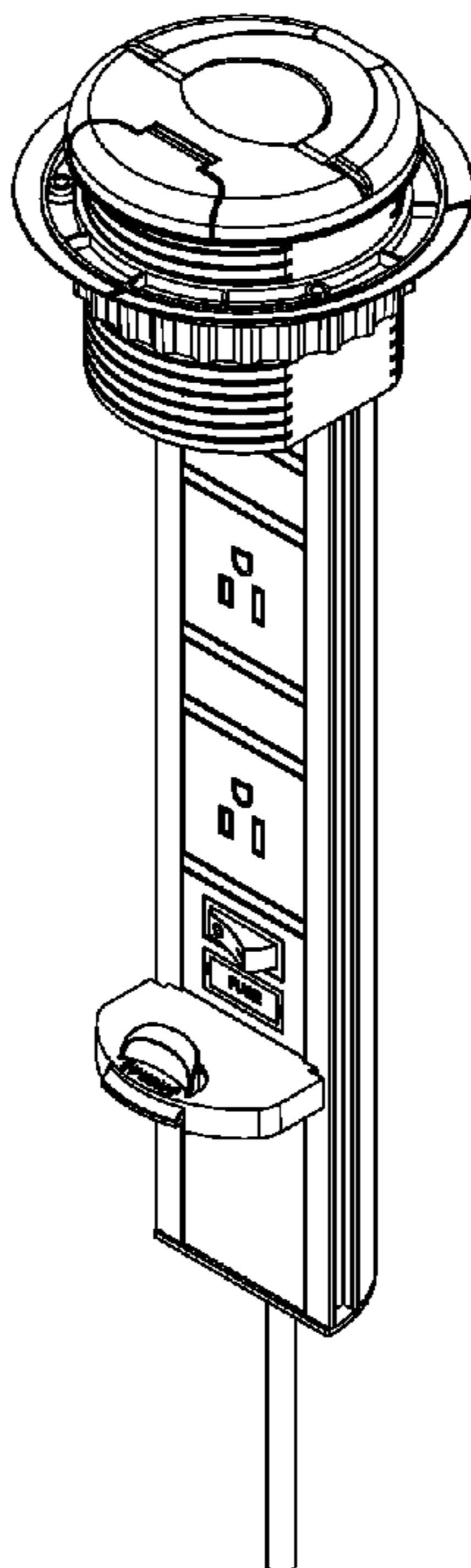
FIG. 4 is a bottom thereof;

FIG. 5 is a rear view thereof;

FIG. 6 is a perspective view thereof; and,

FIG. 7 is another perspective view thereof, shown in an alternate position.

1 Claim, 2 Drawing Sheets



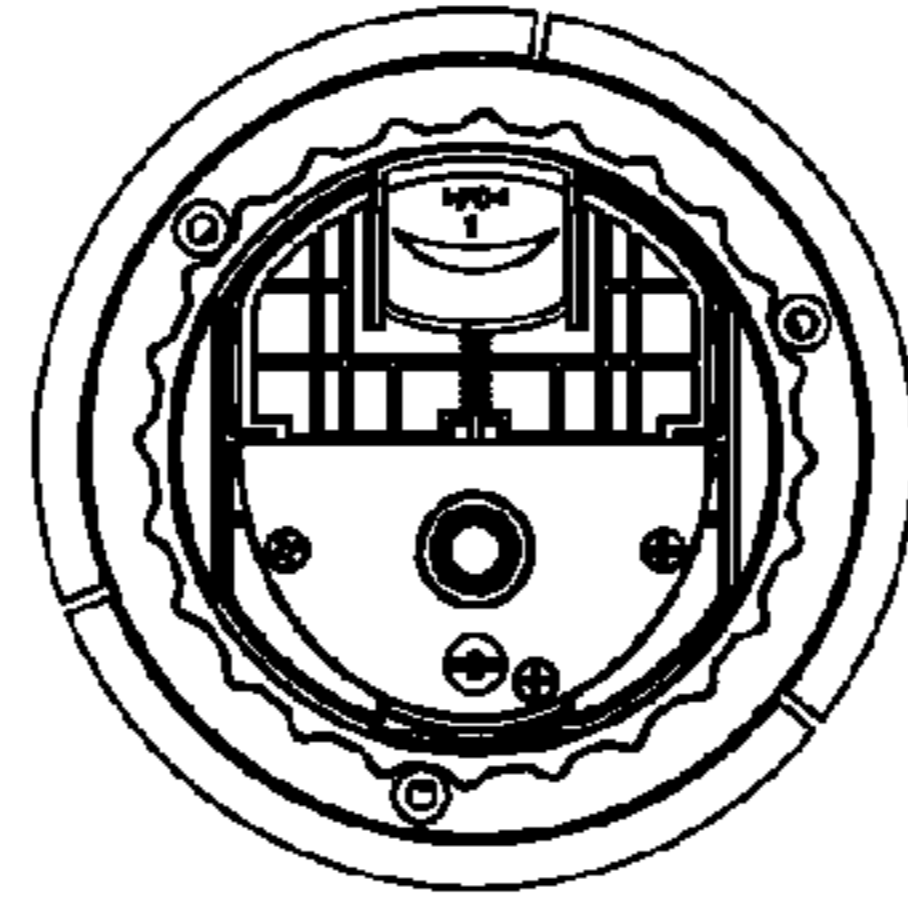


Fig. 3

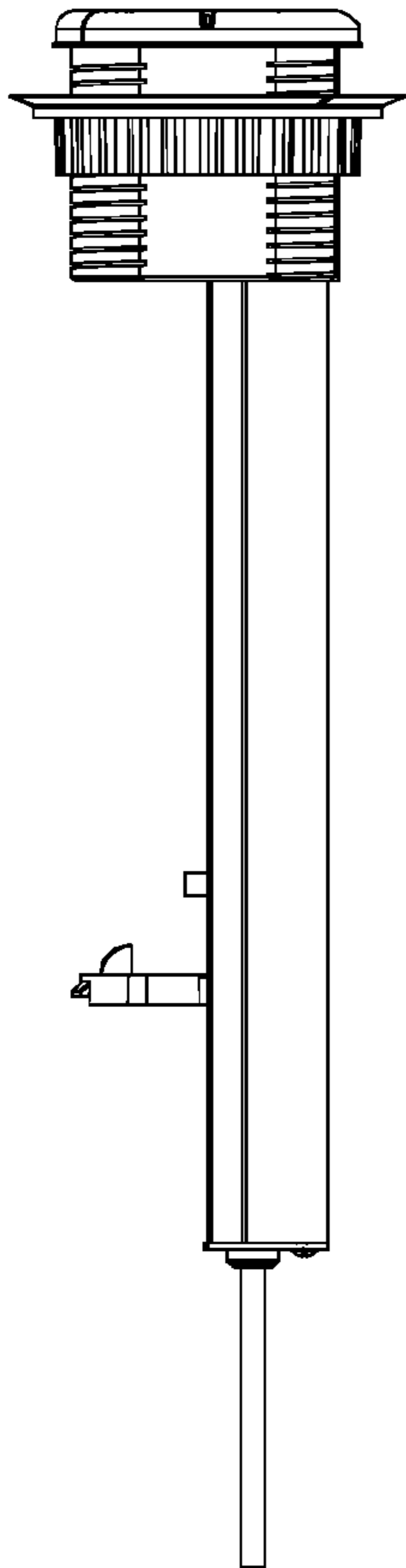


Fig. 2

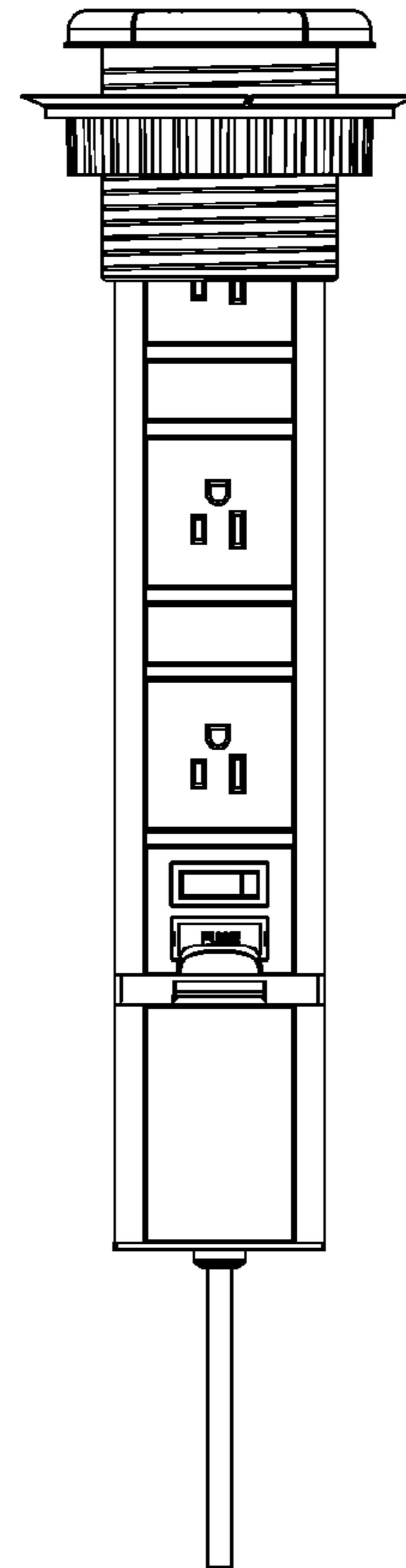


Fig. 1

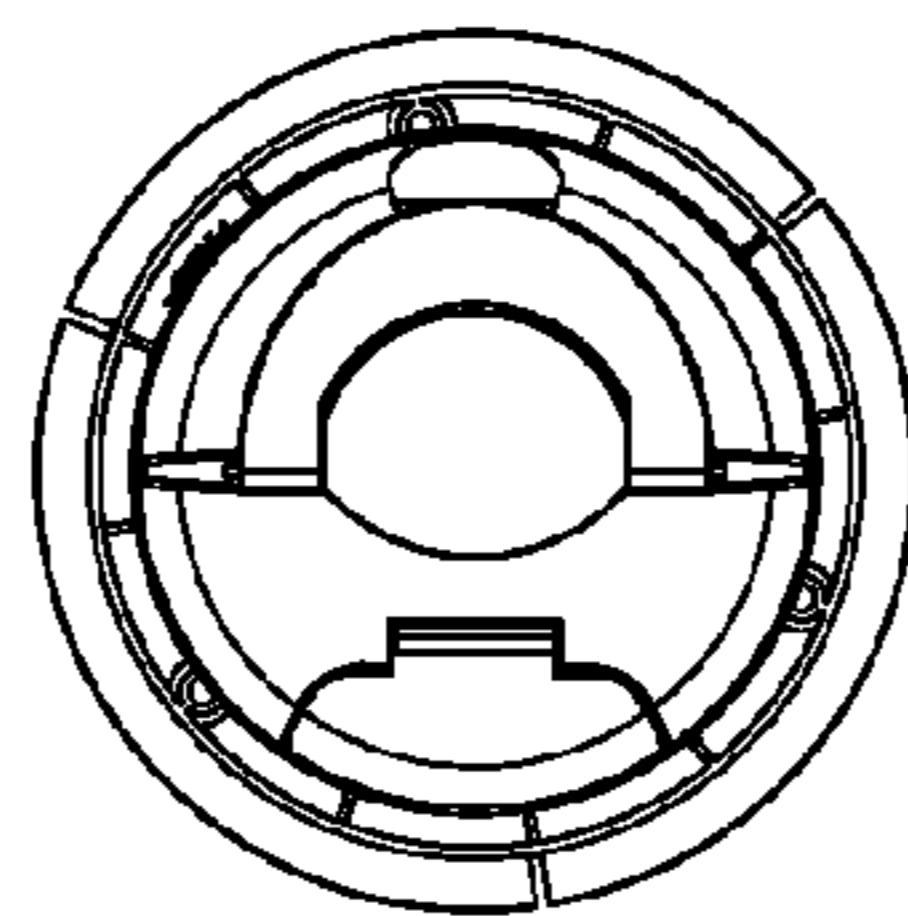


Fig. 4

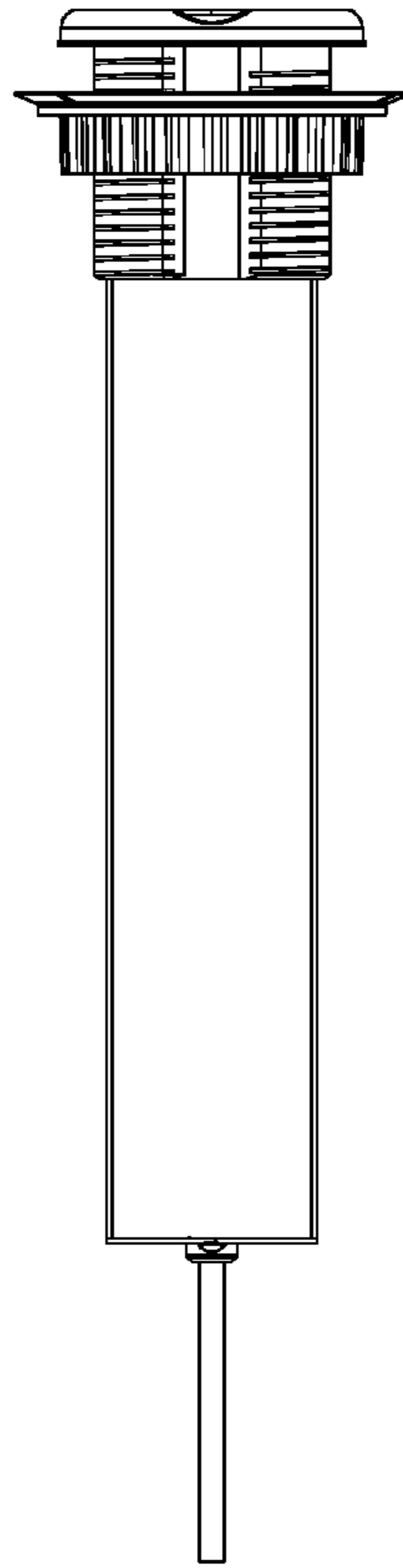


Fig. 5

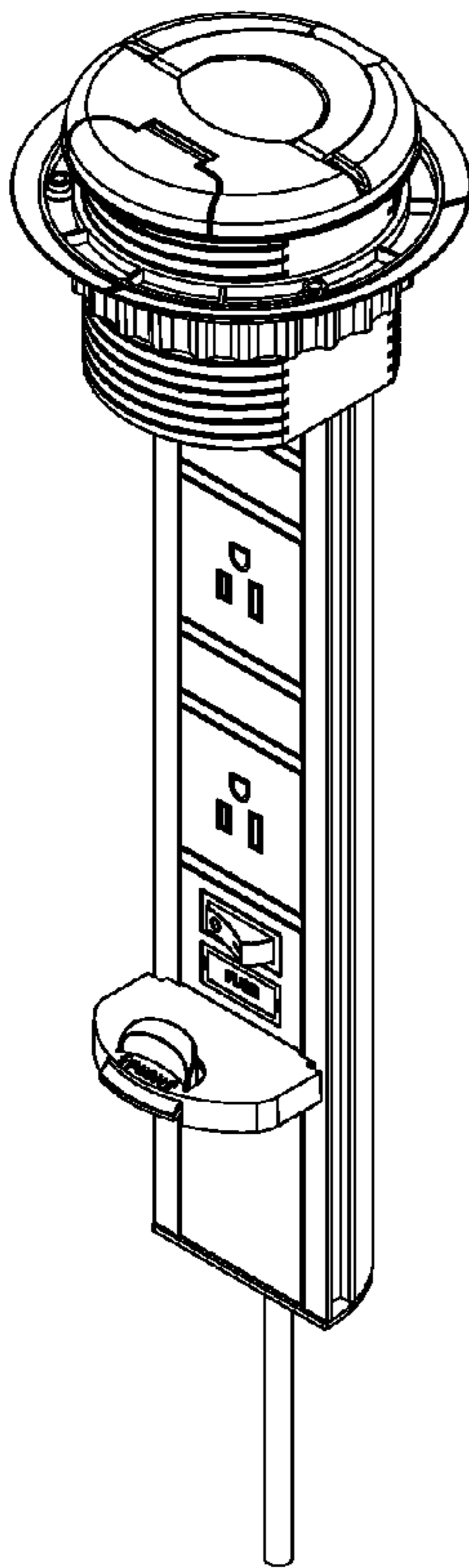


Fig. 6

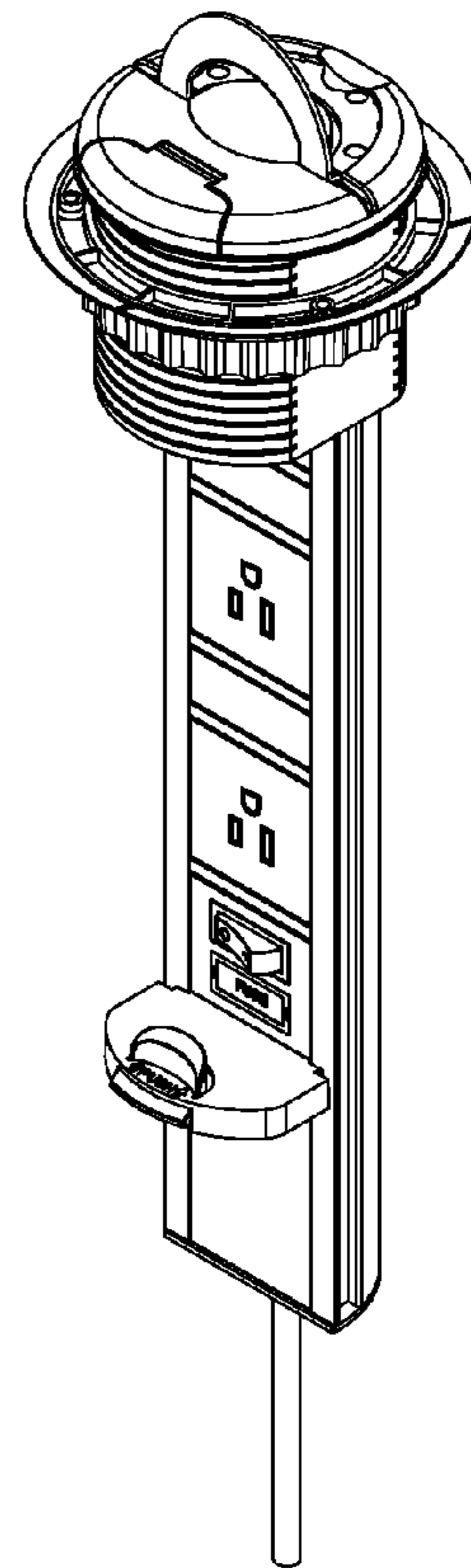


Fig. 7