



US00D638358S

(12) **United States Design Patent**  
**Sauer, Jr.**

(10) **Patent No.:** **US D638,358 S**

(45) **Date of Patent:** **\*\* May 24, 2011**

(54) **WIND SAIL TURBINE**

(76) Inventor: **Dieter R. Sauer, Jr.**, Westlake Village,  
CA (US)

(\*\*) Term: **14 Years**

(21) Appl. No.: **29/370,529**

(22) Filed: **Aug. 2, 2010**

(51) **LOC (9) Cl.** ..... **13-01**

(52) **U.S. Cl.** ..... **D13/115**

(58) **Field of Classification Search** ..... D13/115,  
D13/101, 118, 199; D10/59, 60; D12/214;  
D21/458; D23/411, 412, 413; 29/889.6,  
29/889.7; 290/44, 49, 54, 55; 415/4.2, 4.4,  
415/191, 916; 416/37, 132 B, 141, 176,  
416/177, 196 A, 197 A, 227 A, 227 R, 242  
See application file for complete search history.

(56) **References Cited**

**U.S. PATENT DOCUMENTS**

D265,998	S	*	8/1982	Wagle et al.	.....	D15/1
4,383,801	A	*	5/1983	Pryor	.....	416/17
D300,932	S	*	5/1989	Sikes	.....	D15/1
D440,103	S	*	4/2001	Throne	.....	D6/580

6,345,957	B1	*	2/2002	Szpur	.....	416/197 A
D508,893	S	*	8/2005	Kato et al.	.....	D13/115
6,926,491	B2	*	8/2005	Migler	.....	415/4.4
D560,791	S	*	1/2008	Shirahama	.....	D23/413

\* cited by examiner

*Primary Examiner* — Stella M Reid

*Assistant Examiner* — Derrick Holland

(74) *Attorney, Agent, or Firm* — Edward E. Roberts

(57) **CLAIM**

The ornamental design for a wind sail turbine, as shown and described.

**DESCRIPTION**

FIG. 1 is a perspective view of the wind sail turbine of my new design;

FIG. 2 is a front elevational view thereof;

FIG. 3 is a right side elevational view thereof;

FIG. 4 is a rear elevational view thereof;

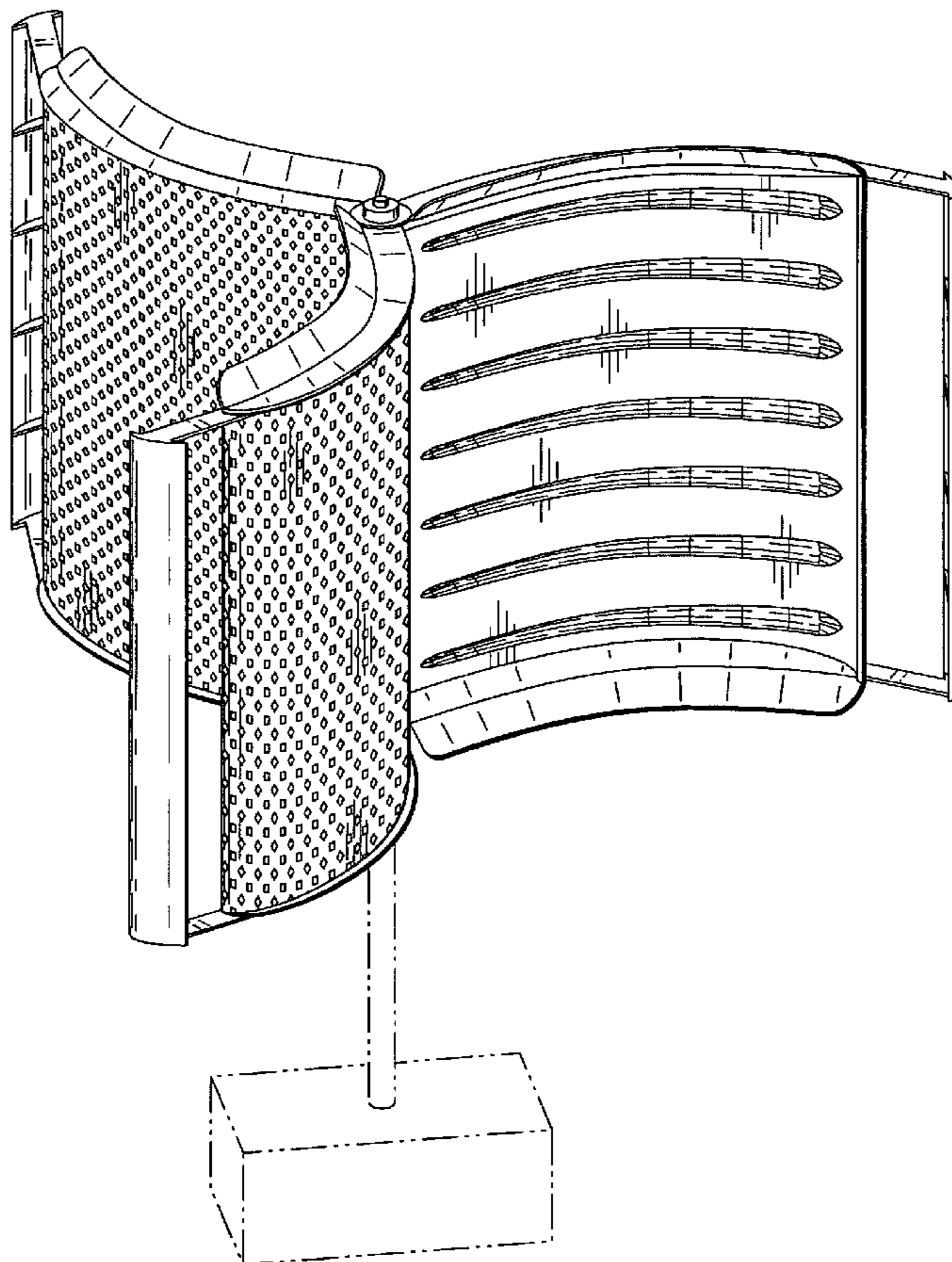
FIG. 5 is a left side elevational view thereof;

FIG. 6 is a top plan view thereof; and,

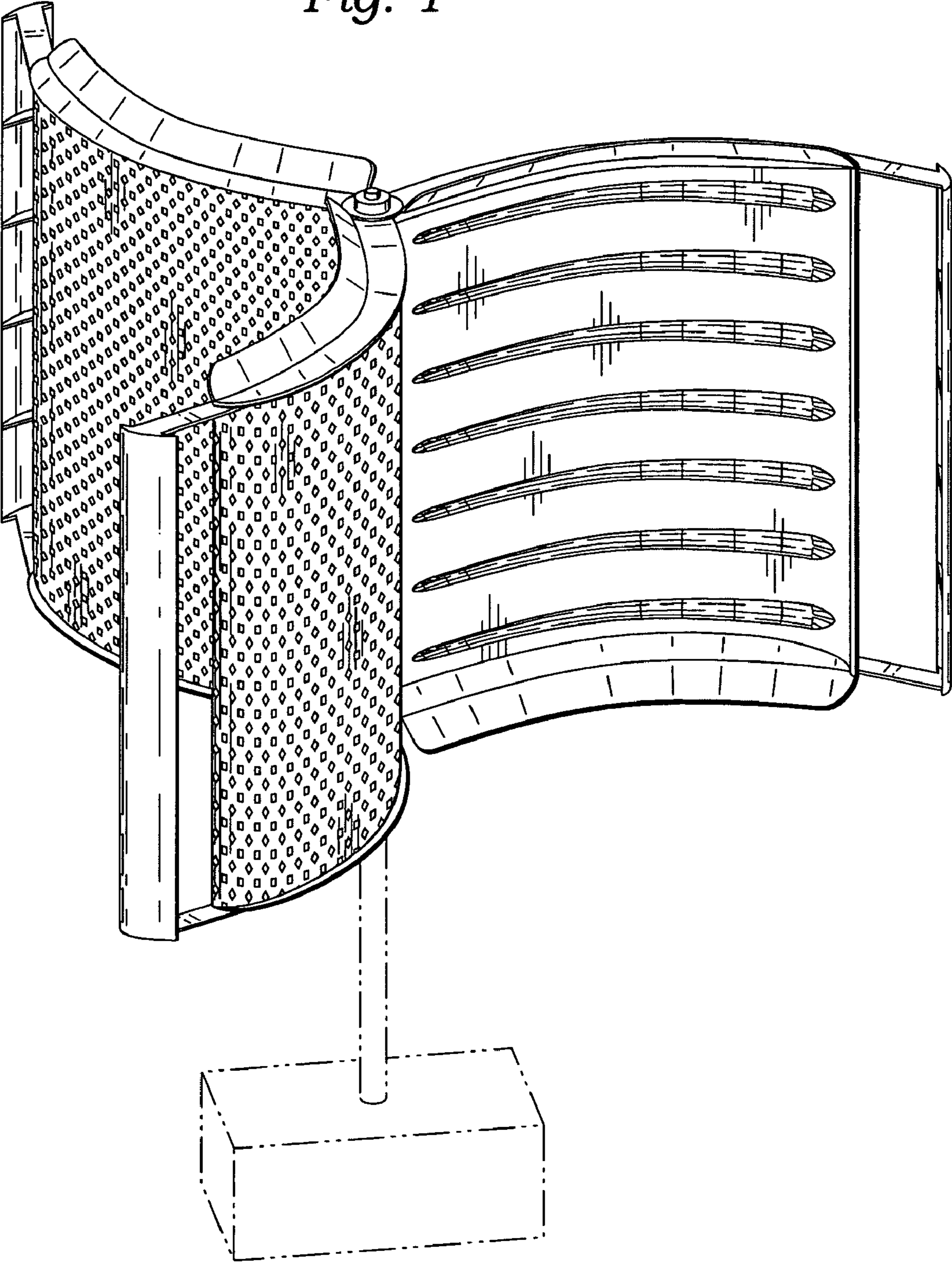
FIG. 7 is a bottom plan view thereof.

The broken lines shown in FIGS. 1-7 are for illustrative purposes only and form no part of the claimed design.

**1 Claim, 6 Drawing Sheets**



*Fig. 1*



*Fig. 2*

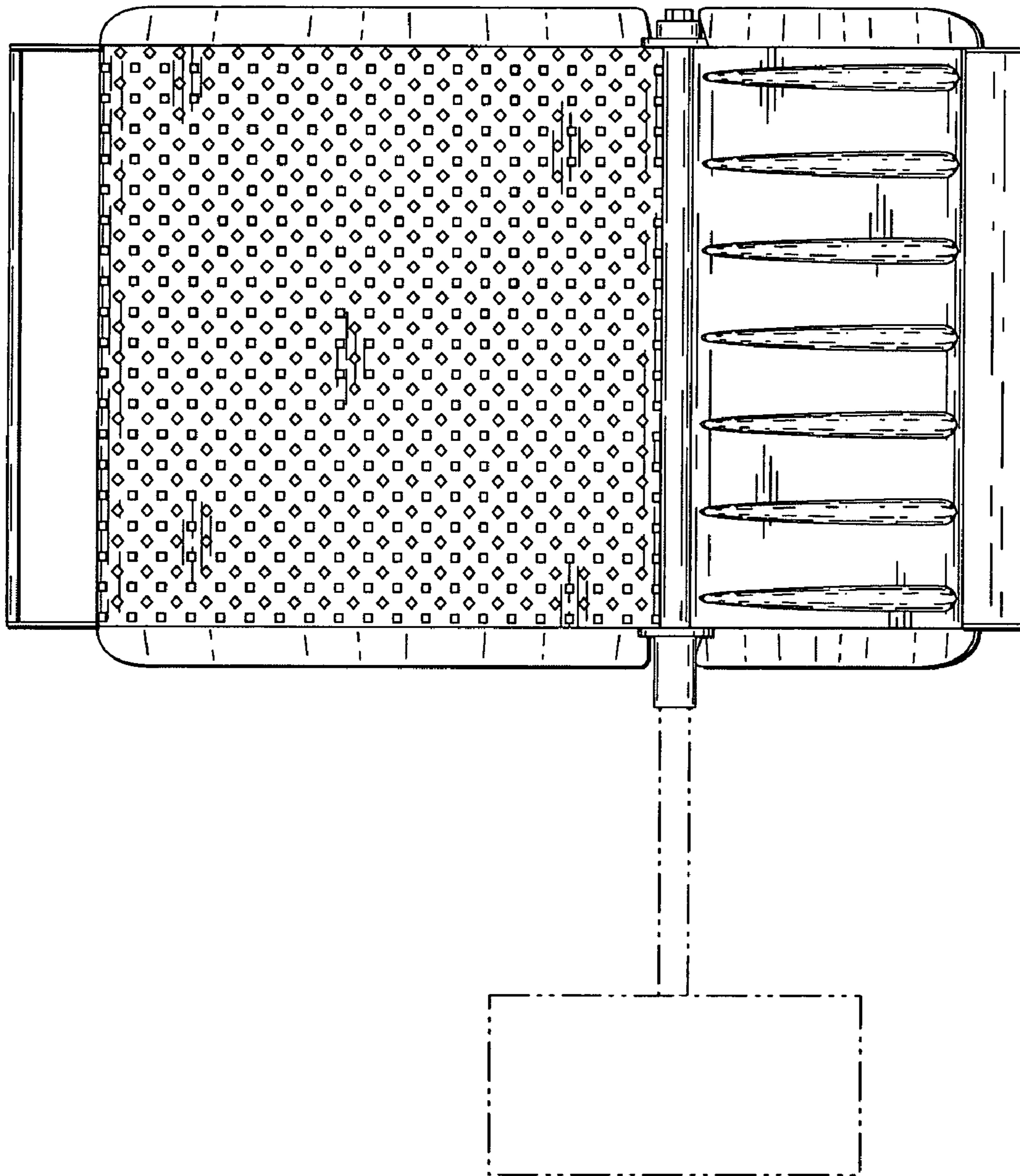


Fig. 3

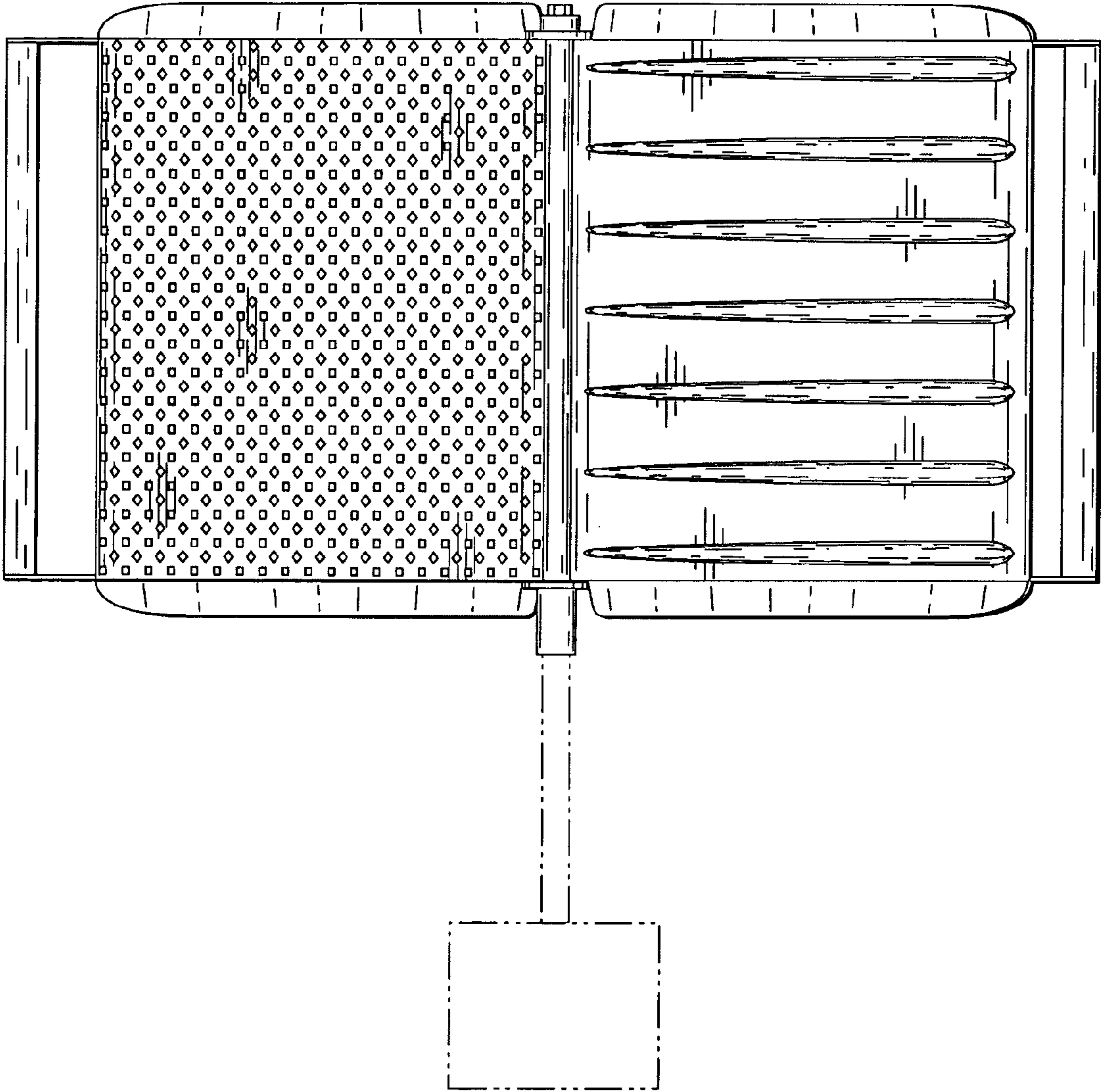
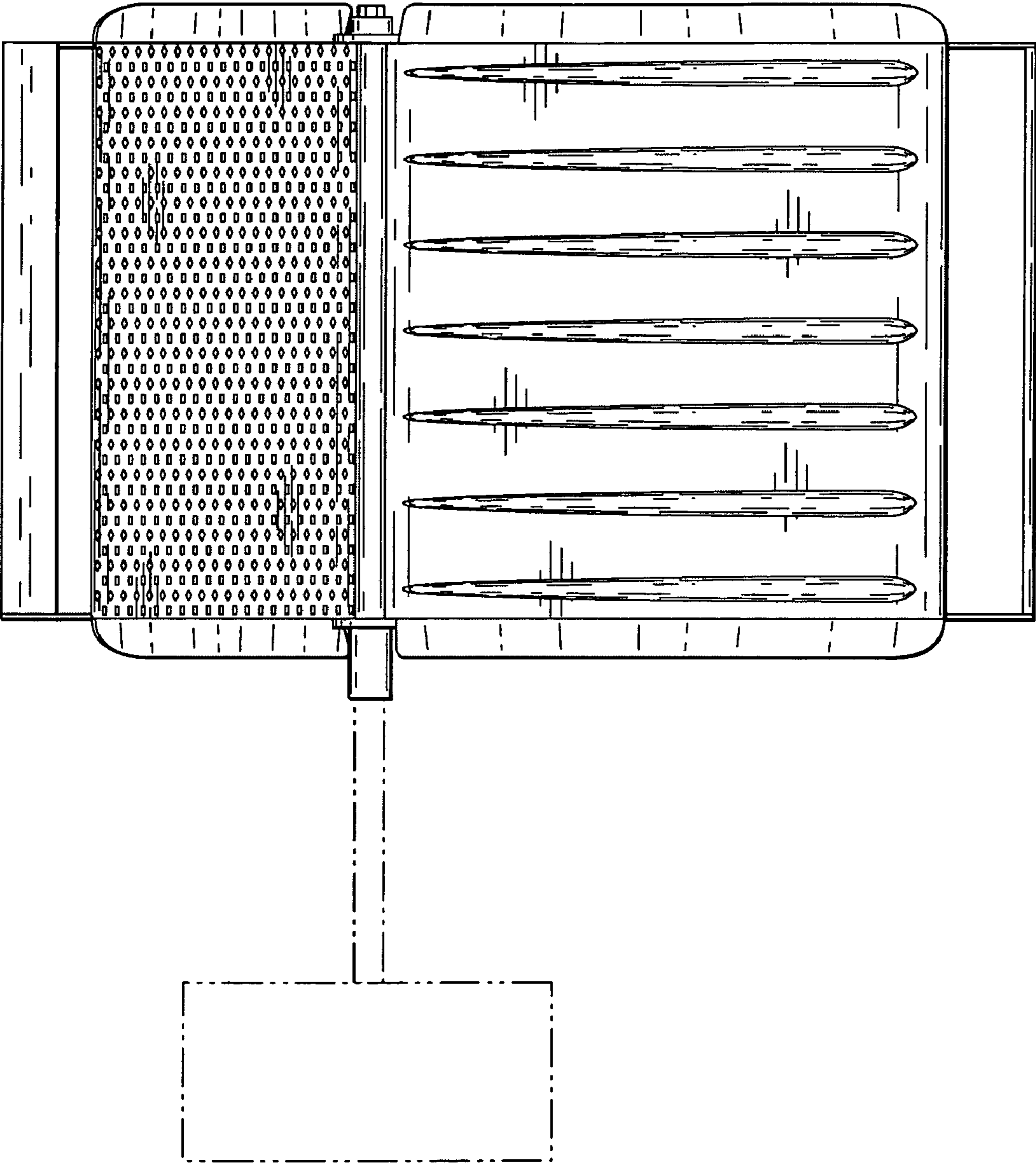
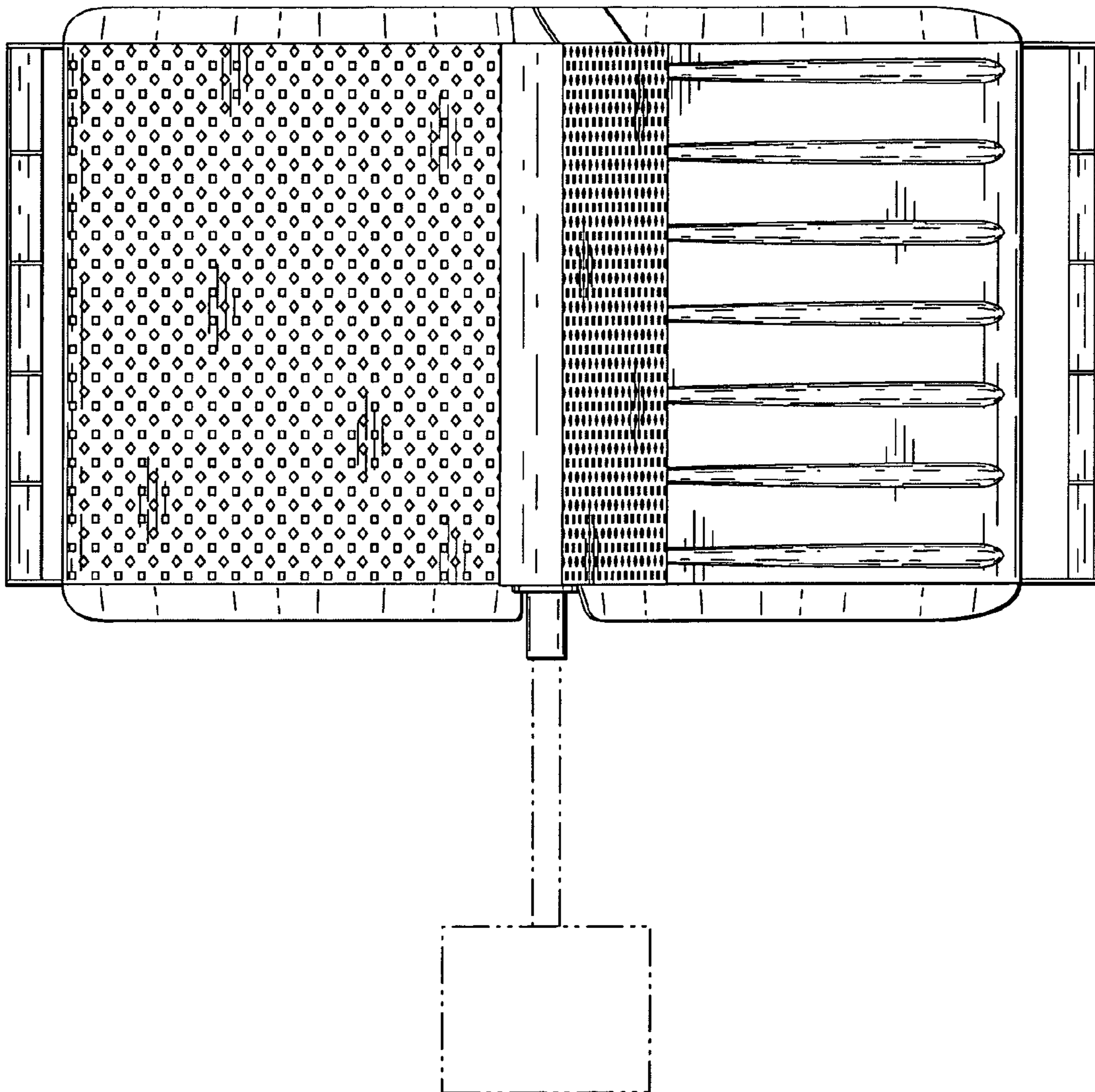
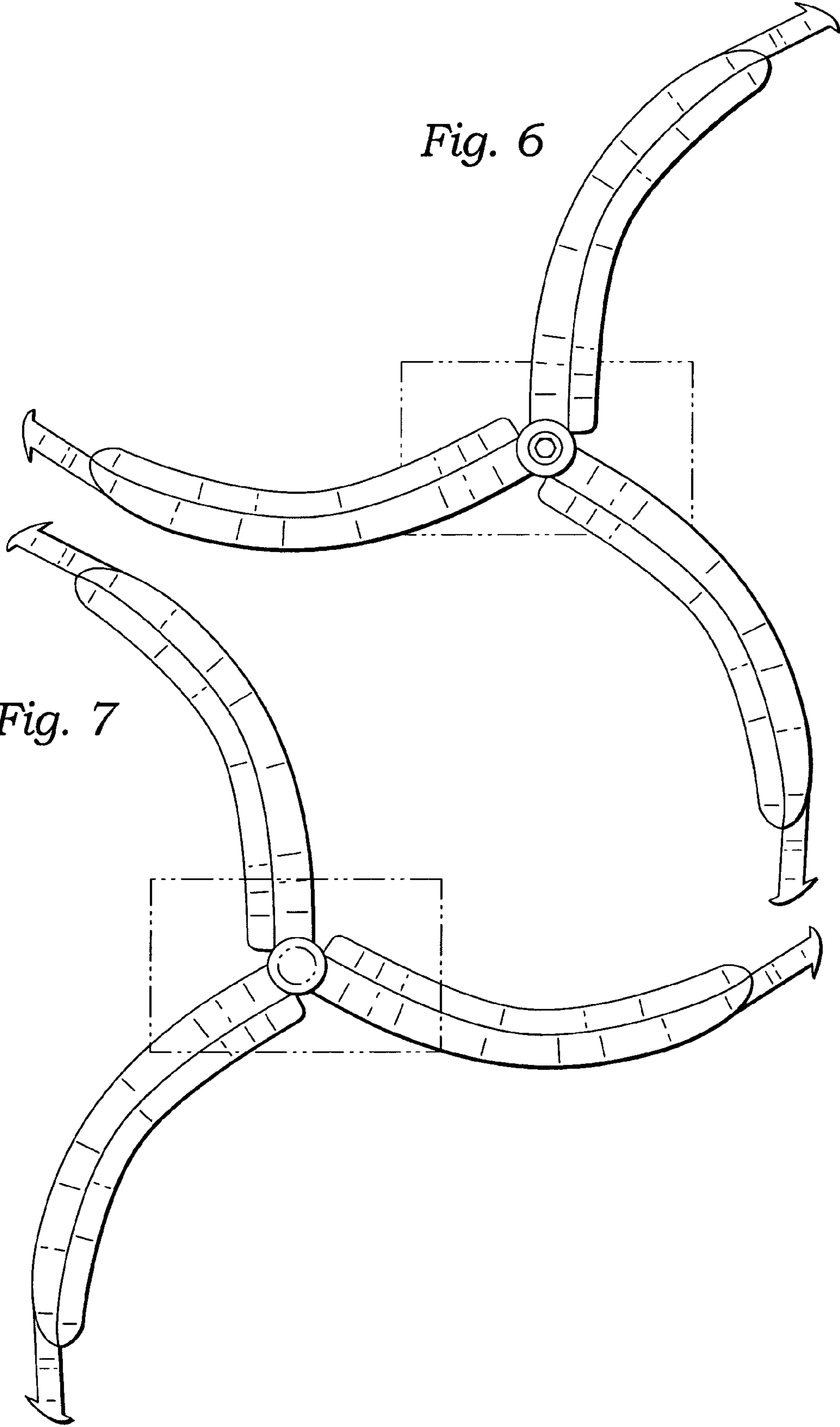


Fig. 4



*Fig. 5*





*Fig. 6*

*Fig. 7*