



US00D638357S

(12) **United States Design Patent**
Sasada et al.

(10) **Patent No.:** **US D638,357 S**

(45) **Date of Patent:** **** May 24, 2011**

(54) **AC/DC CONVERTER**

(75) Inventors: **Motohiro Sasada**, Moriguchi (JP);
Shinji Oda, Moriguchi (JP)

(73) Assignee: **Sanyo Electric Co., Ltd.**, Moriguchi-shi
(JP)

(**) Term: **14 Years**

(21) Appl. No.: **29/377,690**

(22) Filed: **Oct. 25, 2010**

(30) **Foreign Application Priority Data**

May 14, 2010 (JP) 2010-011846

(51) **LOC (9) Cl.** **13-02**

(52) **U.S. Cl.** **D13/110**

(58) **Field of Classification Search** D13/110,
D13/101, 107, 123, 133, 137.2, 138.1, 184,
D13/199; D14/240, 358, 432, 433; 307/150,
307/151; 320/111, 114; 361/601, 625; 363/15,
363/34, 146; 439/5, 131, 172, 173, 668,
439/669

See application file for complete search history.

(56) **References Cited**

U.S. PATENT DOCUMENTS

D138,086 S * 6/1944 Ludwig D13/137.2
D350,113 S * 8/1994 Nagele D13/110
5,613,863 A * 3/1997 Klaus et al. 439/131
D407,066 S * 3/1999 Renk D13/110
6,086,395 A * 7/2000 Lloyd et al. 439/172
D428,862 S * 8/2000 Queffelec et al. D13/184
D456,008 S * 4/2002 Kawanobe et al. D13/110

6,544,051 B1 * 4/2003 Su 439/131
D479,823 S * 9/2003 Andre et al. D13/110
D483,721 S * 12/2003 Kim et al. D13/110
D519,922 S * 5/2006 Andre et al. D13/110
D567,174 S * 4/2008 Jidaisho D13/110
D568,243 S * 5/2008 Jidaisho D13/110
D572,712 S * 7/2008 Ledbetter et al. D14/432
D579,410 S * 10/2008 Hanada et al. D13/110
D587,192 S * 2/2009 McGinley et al. D13/110
2003/0151938 A1 * 8/2003 Liao 363/146

OTHER PUBLICATIONS

Japanese Office Action dated Oct. 5, 2010, issued in corresponding Japanese Patent Application No. 2010-011846.

* cited by examiner

Primary Examiner — Prabhakar Deshmukh

Assistant Examiner — Derrick Holland

(74) *Attorney, Agent, or Firm* — Westerman, Hattori,
Daniels & Adrian, LLP

(57) **CLAIM**

The ornamental design for an AC/DC converter, as shown and described.

DESCRIPTION

FIG. 1 is a left front perspective view of an AC/DC converter showing our new design;

FIG. 2 is a right rear perspective view thereof;

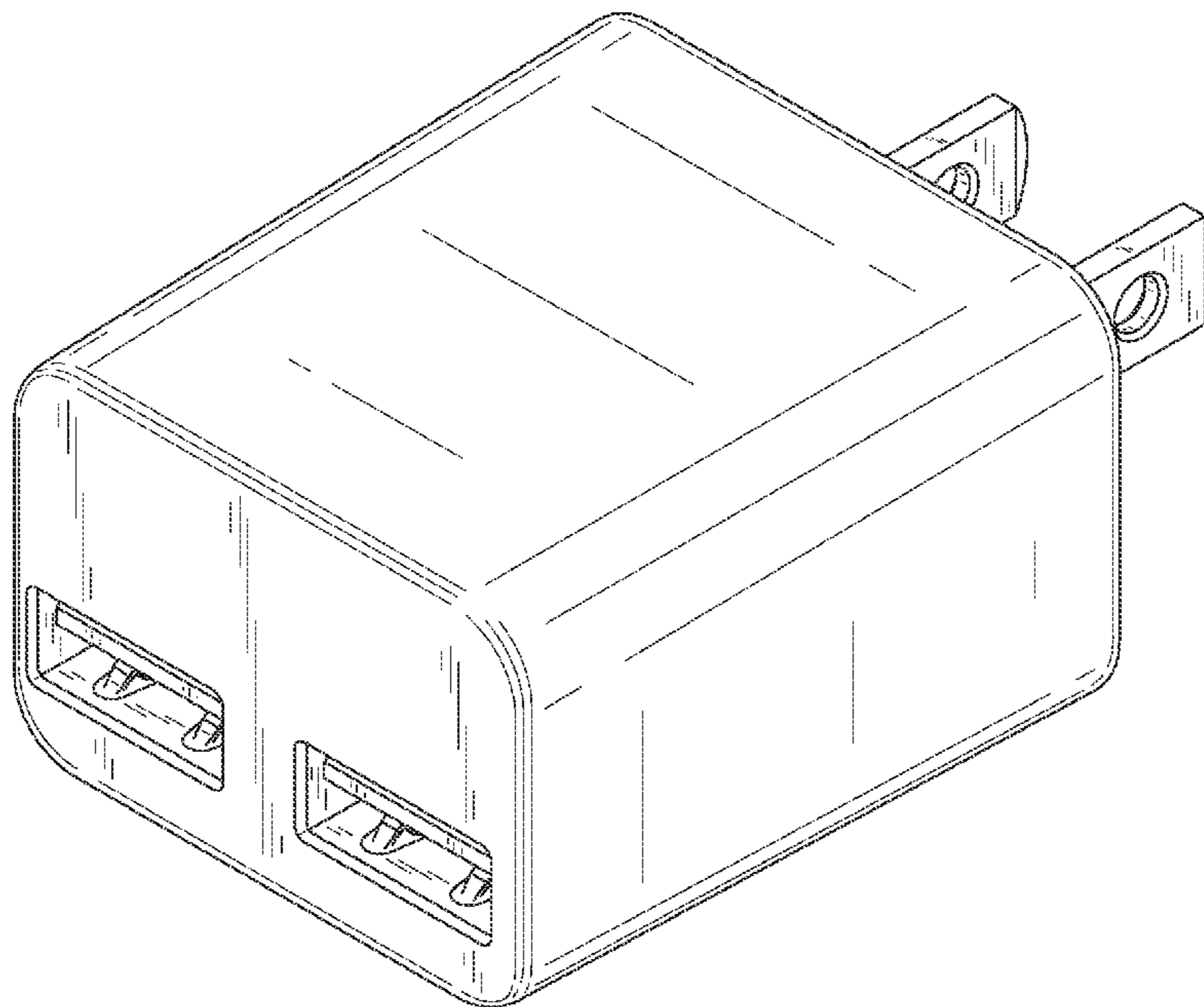
FIG. 3 is a front elevational view thereof;

FIG. 4 is a rear elevational view thereof;

FIG. 5 is a top plan view thereof, the bottom plan view being identical thereto; and,

FIG. 6 is a right side elevational view thereof, the left side elevational view being a mirror image thereof.

1 Claim, 5 Drawing Sheets



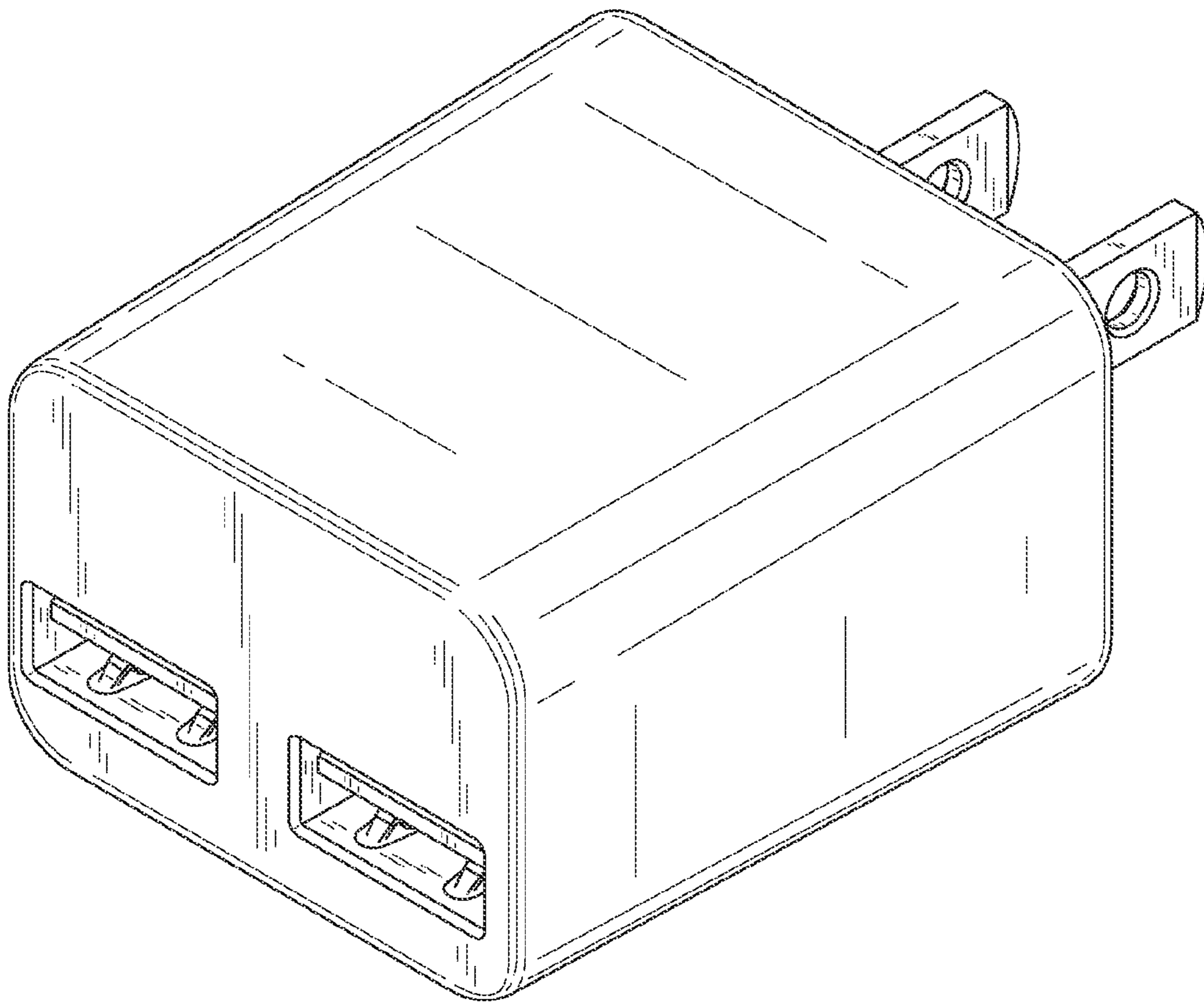


FIG. 1

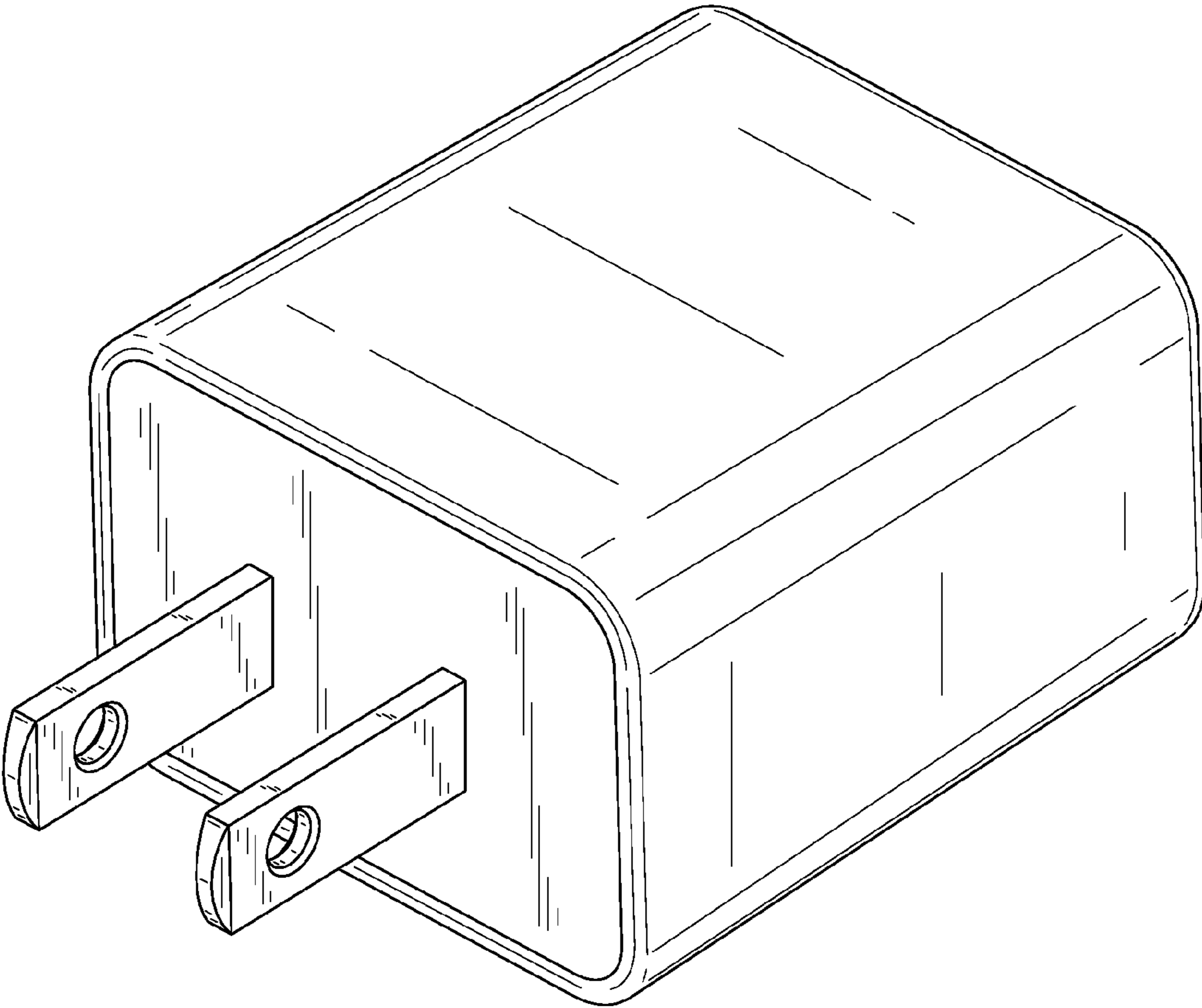


FIG.2

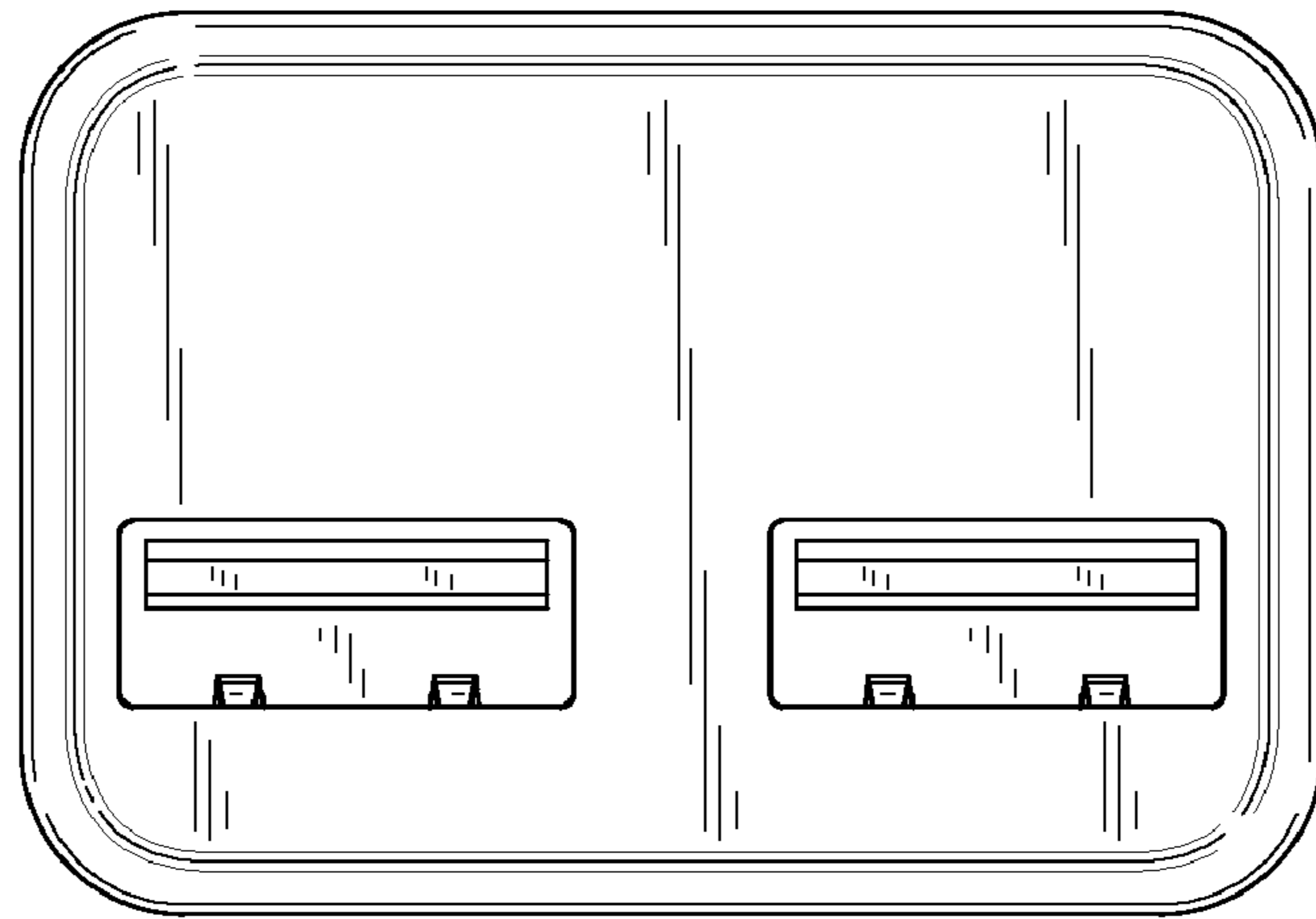


FIG.3

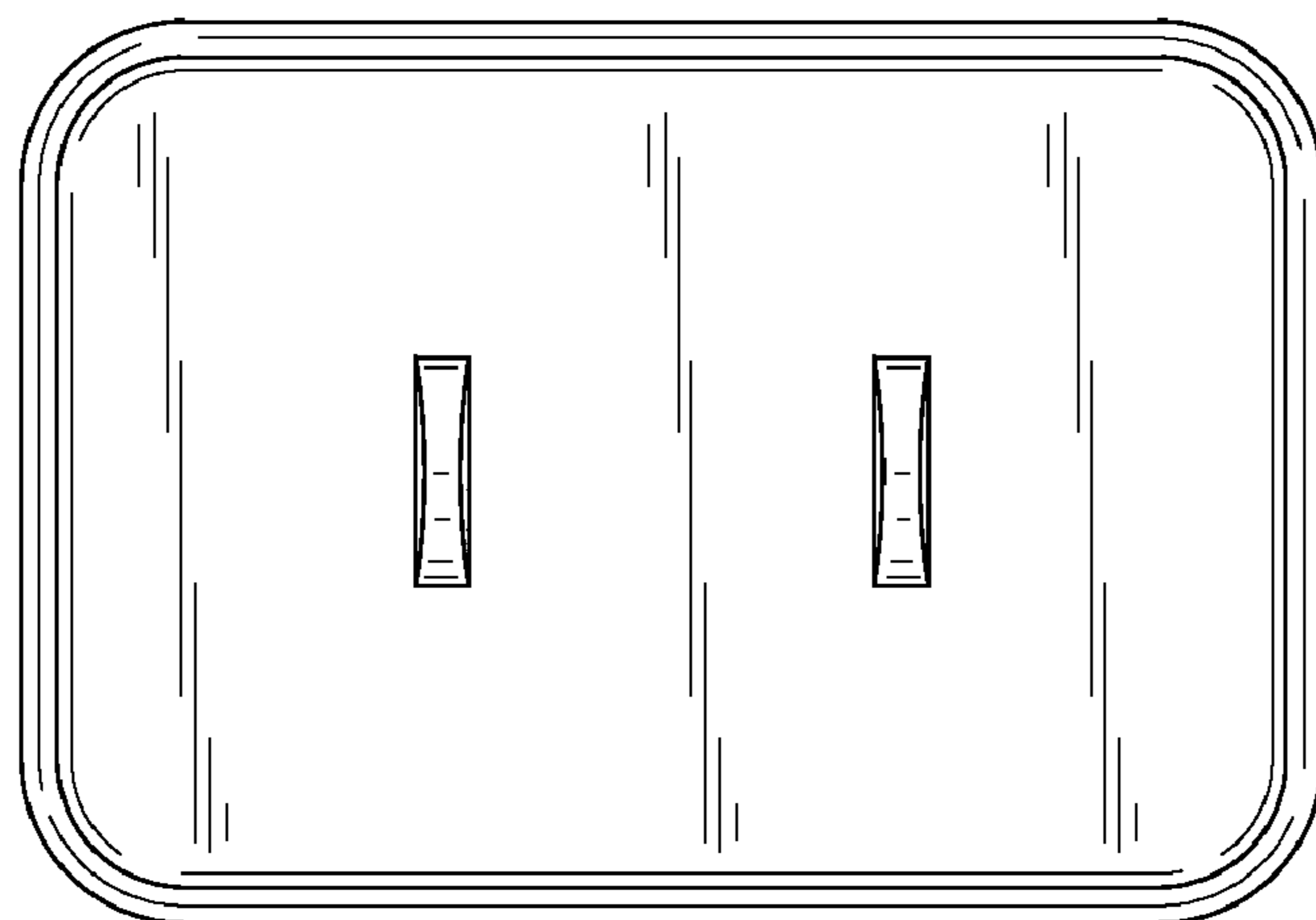


FIG.4

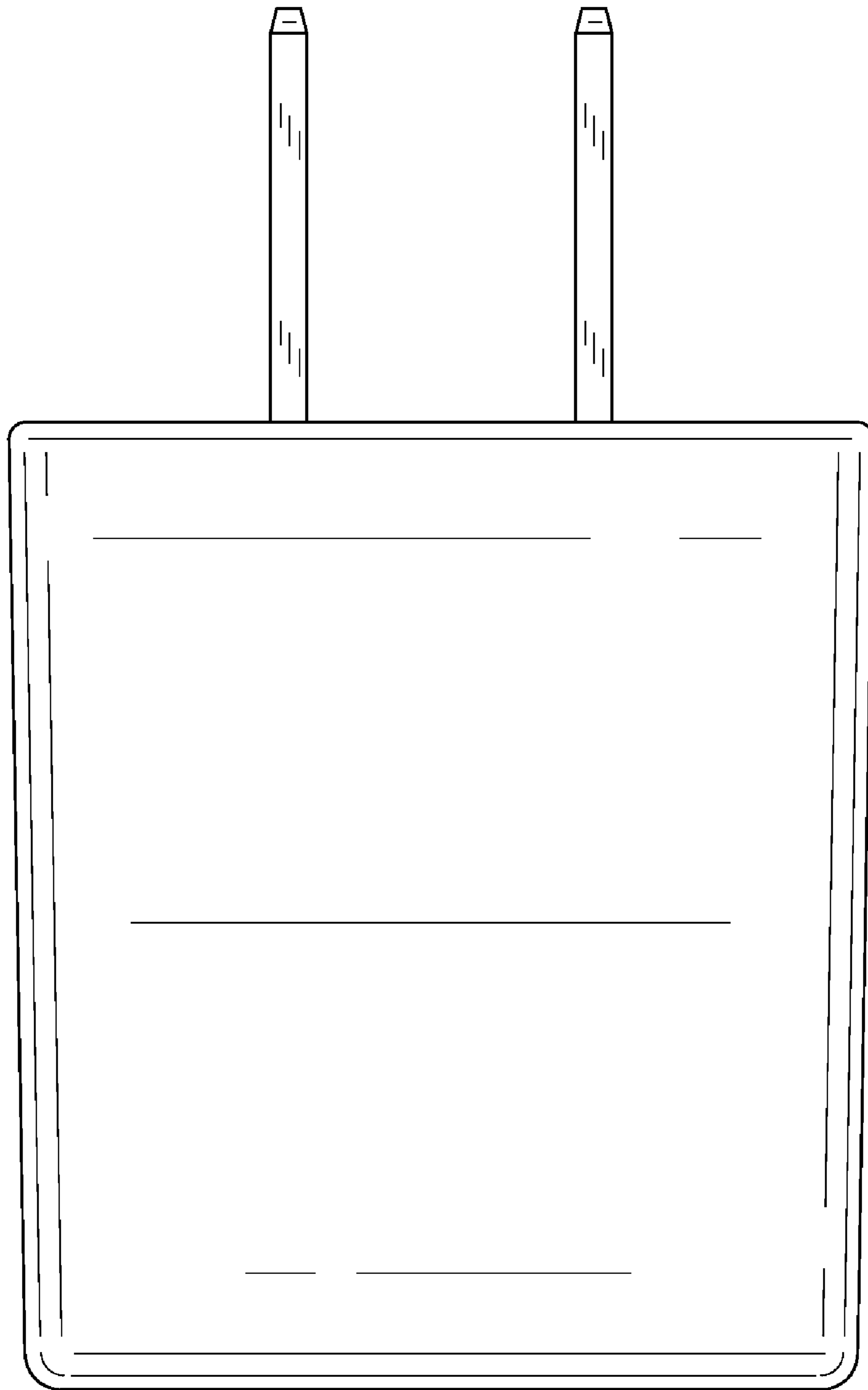


FIG. 5

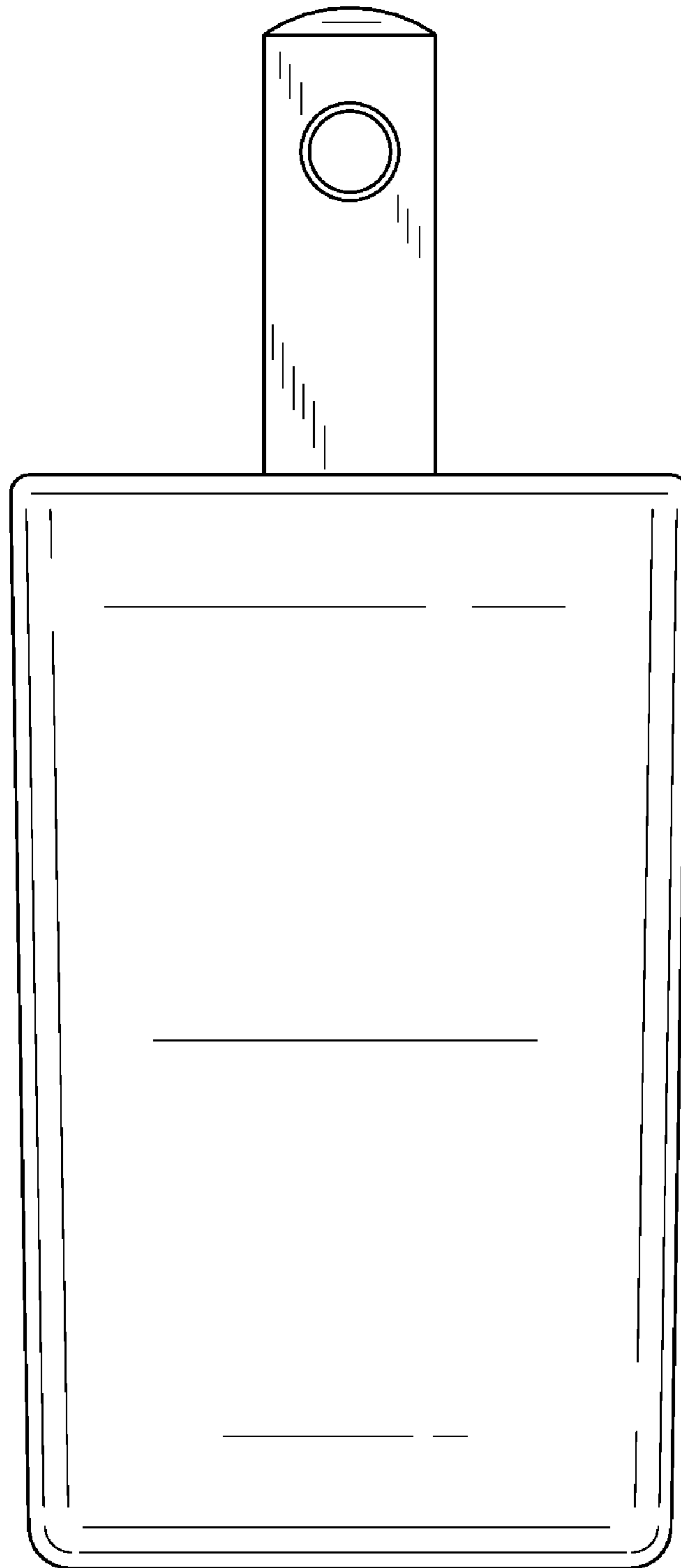


FIG.6