

US00D638356S

(12) **United States Design Patent**  
**Chen**

(10) **Patent No.:** **US D638,356 S**

(45) **Date of Patent:** **\*\* May 24, 2011**

(54) **POWER ADAPTER**

(75) Inventor: **Chih-Chung Chen**, Tu-Cheng (TW)

(73) Assignee: **Cheng Uei Precision Industry Co., Ltd.**, Tu-Cheng, Taipei Hsien (TW)

(\*\*) Term: **14 Years**

(21) Appl. No.: **29/369,708**

(22) Filed: **Sep. 13, 2010**

(51) **LOC (9) Cl.** ..... **13-02**

(52) **U.S. Cl.** ..... **D13/110**

(58) **Field of Classification Search** ..... D13/110,  
D13/107, 108, 118, 119, 123, 133, 137.1,  
D13/184, 199; D14/251, 432, 434; 174/53,  
174/54, 59, 61; 307/11, 150, 151; 320/107,  
320/111, 112, 113, 114, 115; 361/679.01;  
363/142, 146; 439/131, 172, 626, 628, 638  
See application file for complete search history.

(56) **References Cited**

**U.S. PATENT DOCUMENTS**

D350,113	S	*	8/1994	Nagele	.....	D13/110
D367,257	S	*	2/1996	Buelow et al.	.....	D13/110
5,613,863	A	*	3/1997	Klaus et al.	.....	439/131
D383,115	S	*	9/1997	Nagele et al.	.....	D13/110
5,684,689	A	*	11/1997	Hahn	.....	363/146
D416,226	S	*	11/1999	Lohrding et al.	.....	D13/110

D427,965	S	*	7/2000	Wu	.....	D13/107
6,086,395	A	*	7/2000	Lloyd et al.	.....	439/172
D428,862	S	*	8/2000	Queffelec et al.	.....	D13/184
D449,030	S	*	10/2001	Baxter et al.	.....	D13/110
D452,842	S	*	1/2002	Kajiwara et al.	.....	D13/110
D456,008	S	*	4/2002	Kawanobe et al.	.....	D13/110
D484,853	S	*	1/2004	Alviar	.....	D13/110
D567,172	S	*	4/2008	Jidaisho	.....	D13/110

\* cited by examiner

*Primary Examiner* — Stella M Reid

*Assistant Examiner* — Derrick Holland

(74) *Attorney, Agent, or Firm* — Cheng-Ju Chiang

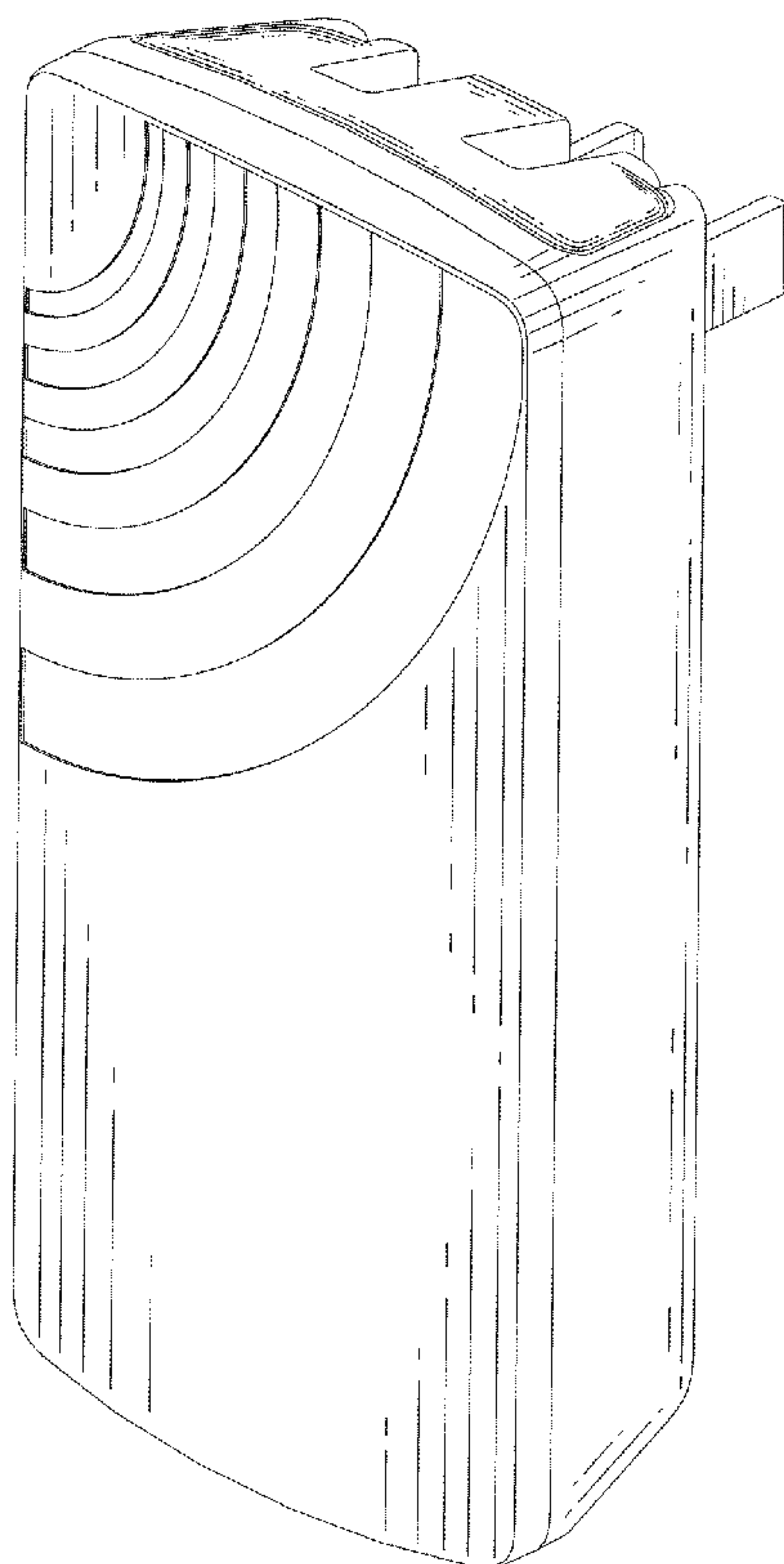
(57) **CLAIM**

The ornamental design for a power adapter, as shown and described.

**DESCRIPTION**

FIG. 1 is a perspective view of a power adapter showing my new design;  
FIG. 2 is a front elevational view thereof;  
FIG. 3 is a rear elevational view thereof;  
FIG. 4 is a left side elevational view thereof;  
FIG. 5 is a right side elevational view thereof;  
FIG. 6 is a top plan view thereof;  
FIG. 7 is a bottom plan view thereof; and,  
FIG. 8 is a perspective view of the power adapter showing two terminals thereof being received in corresponding slots defined in a body thereof.

**1 Claim, 8 Drawing Sheets**



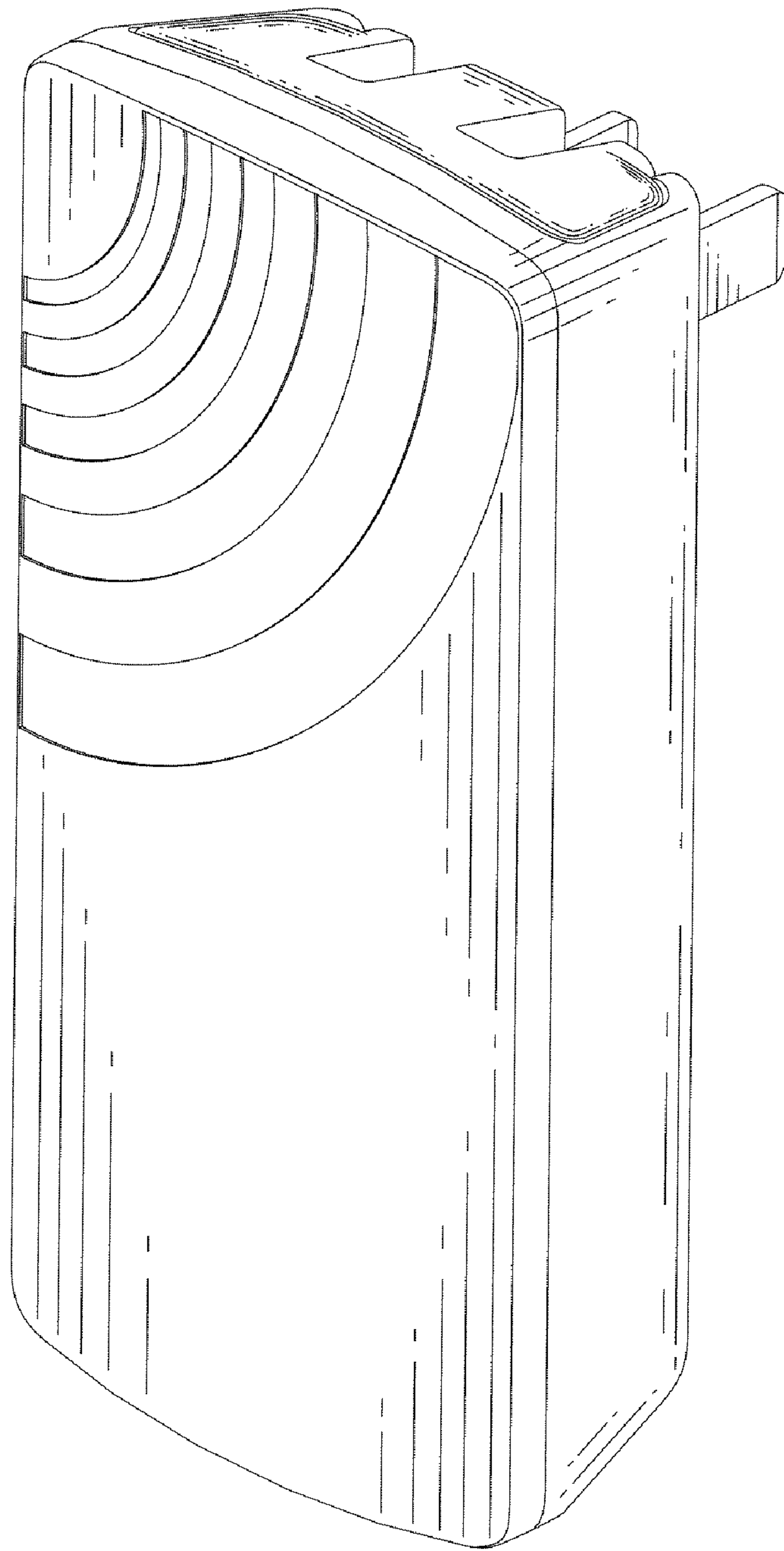


FIG. 1

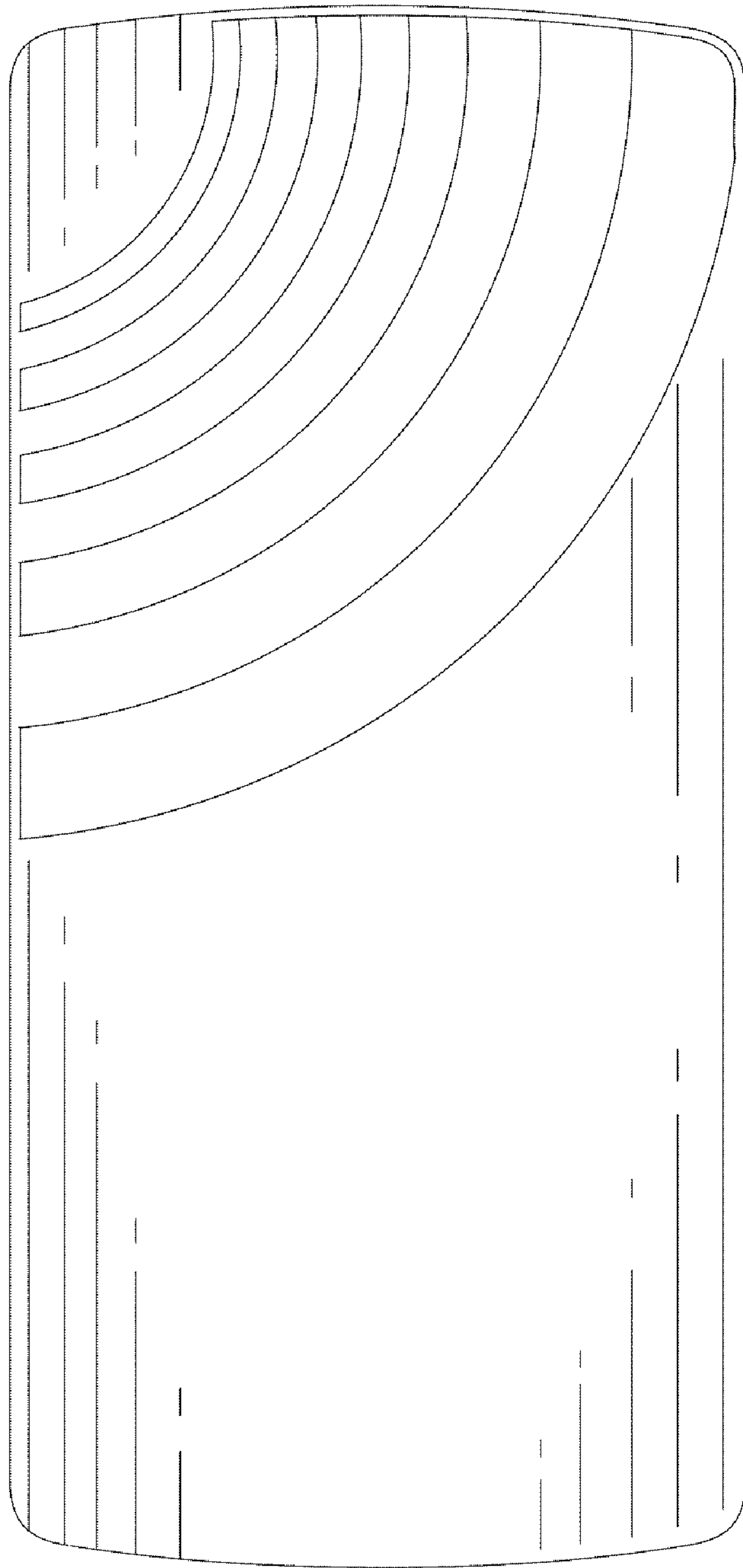


FIG. 2

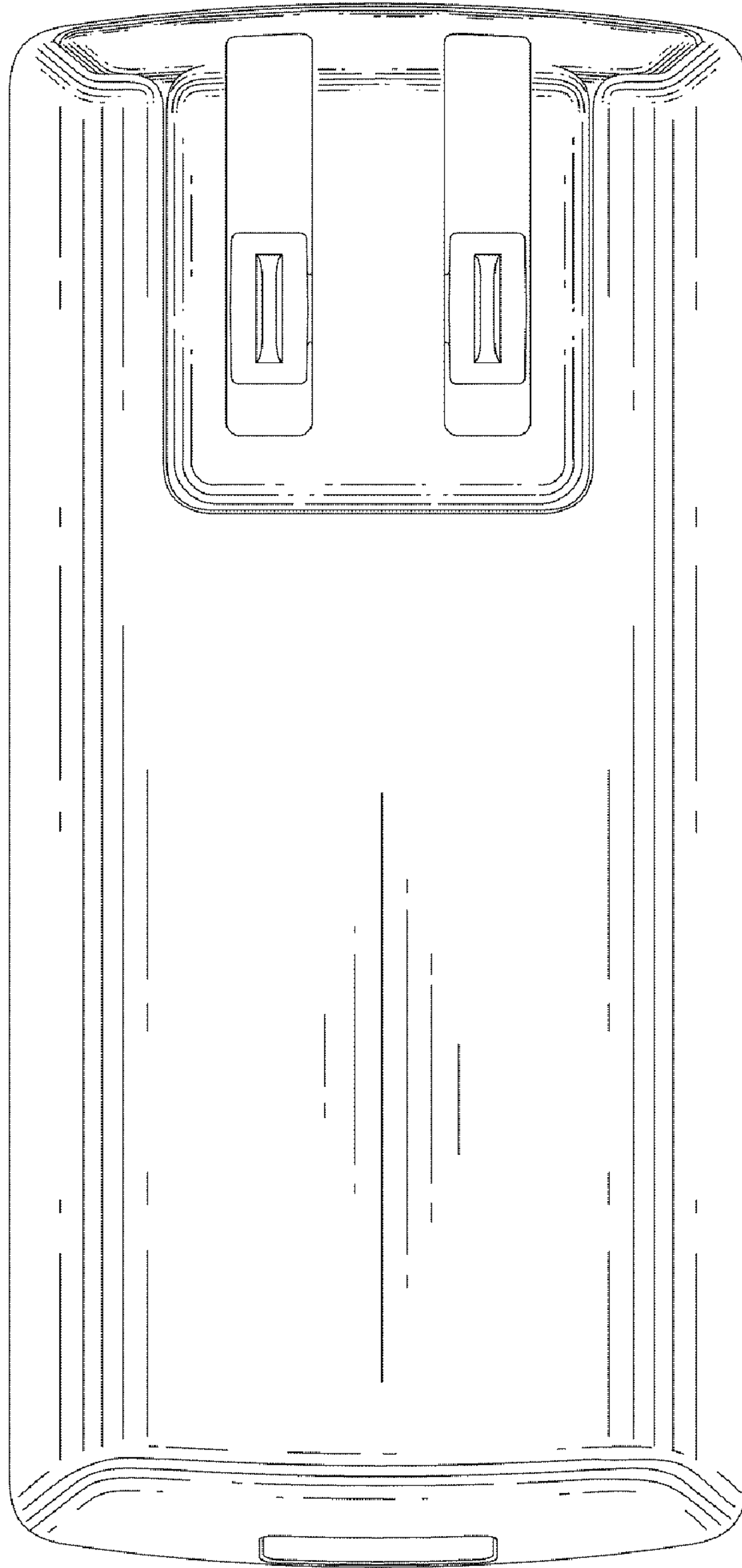


FIG. 3

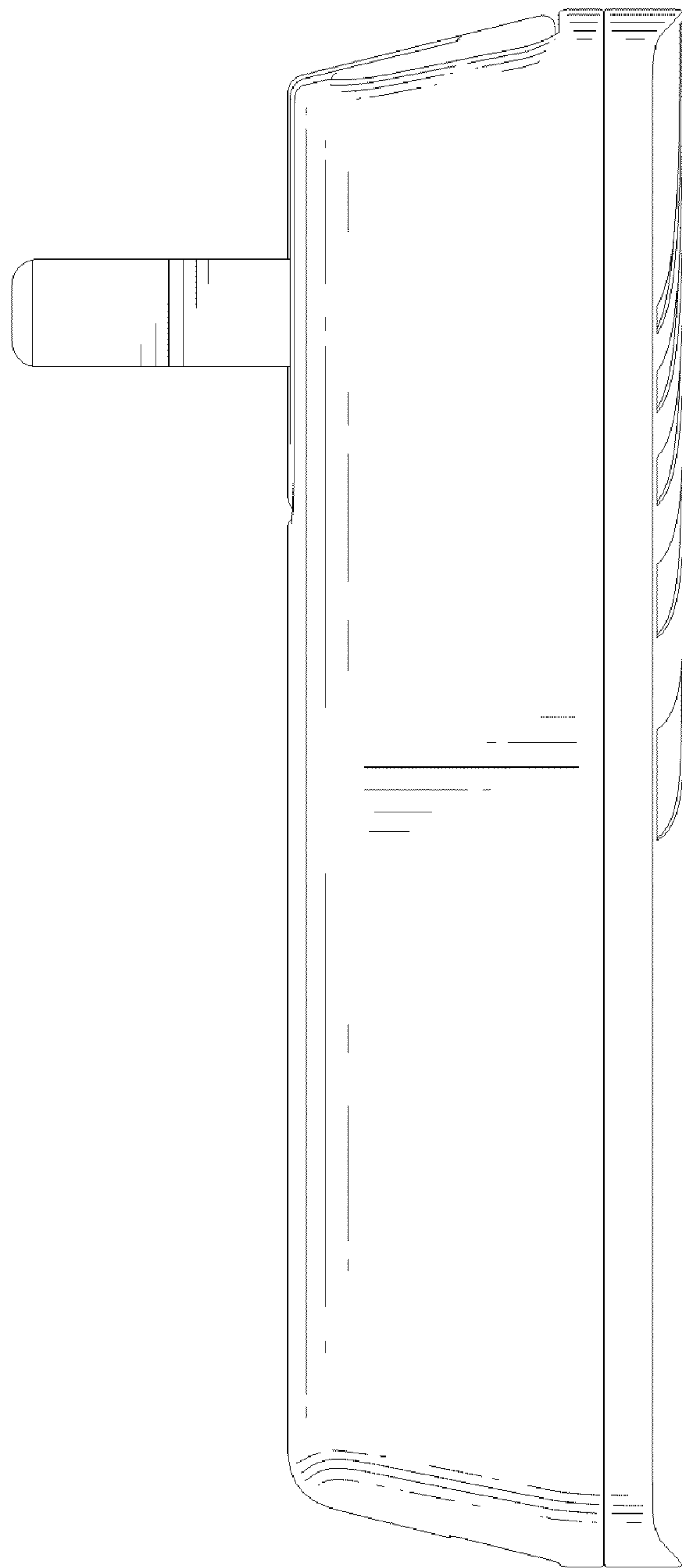


FIG. 4

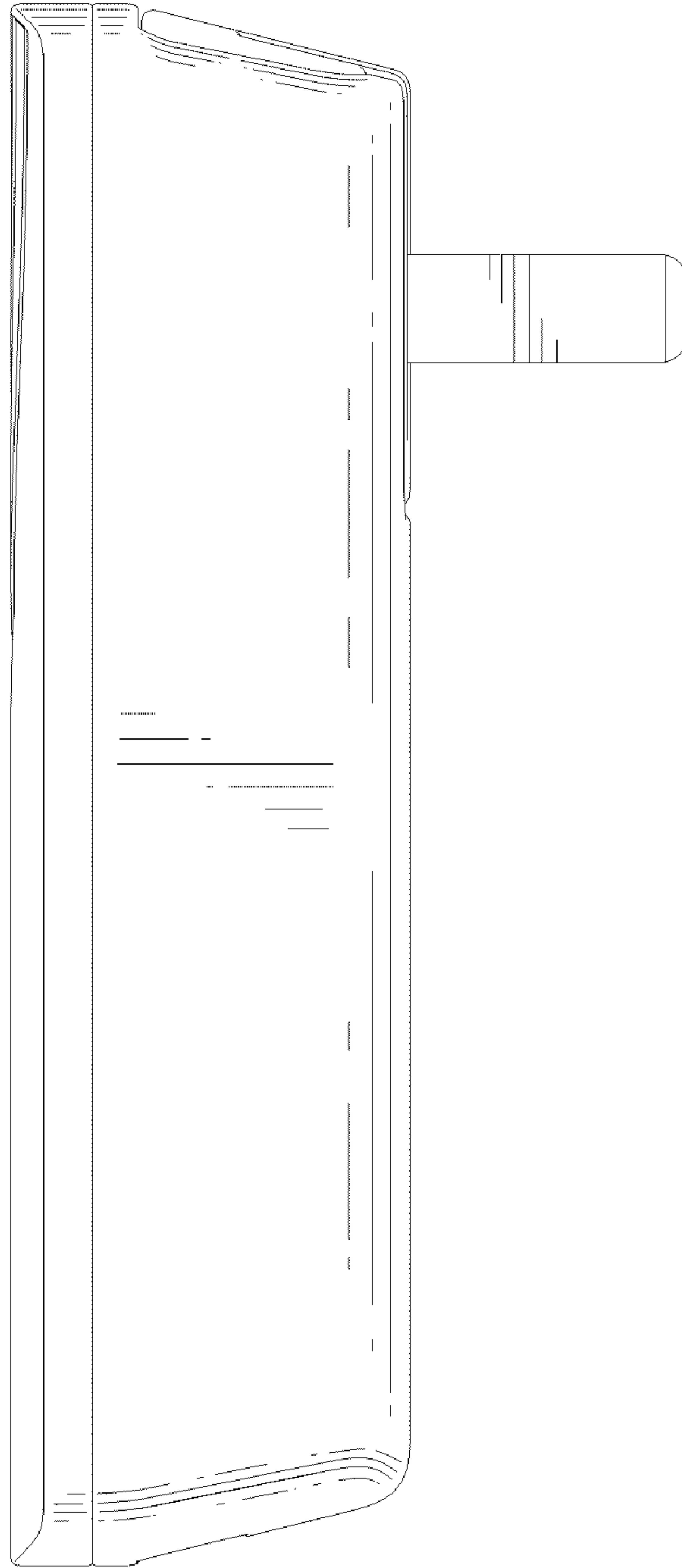


FIG. 5



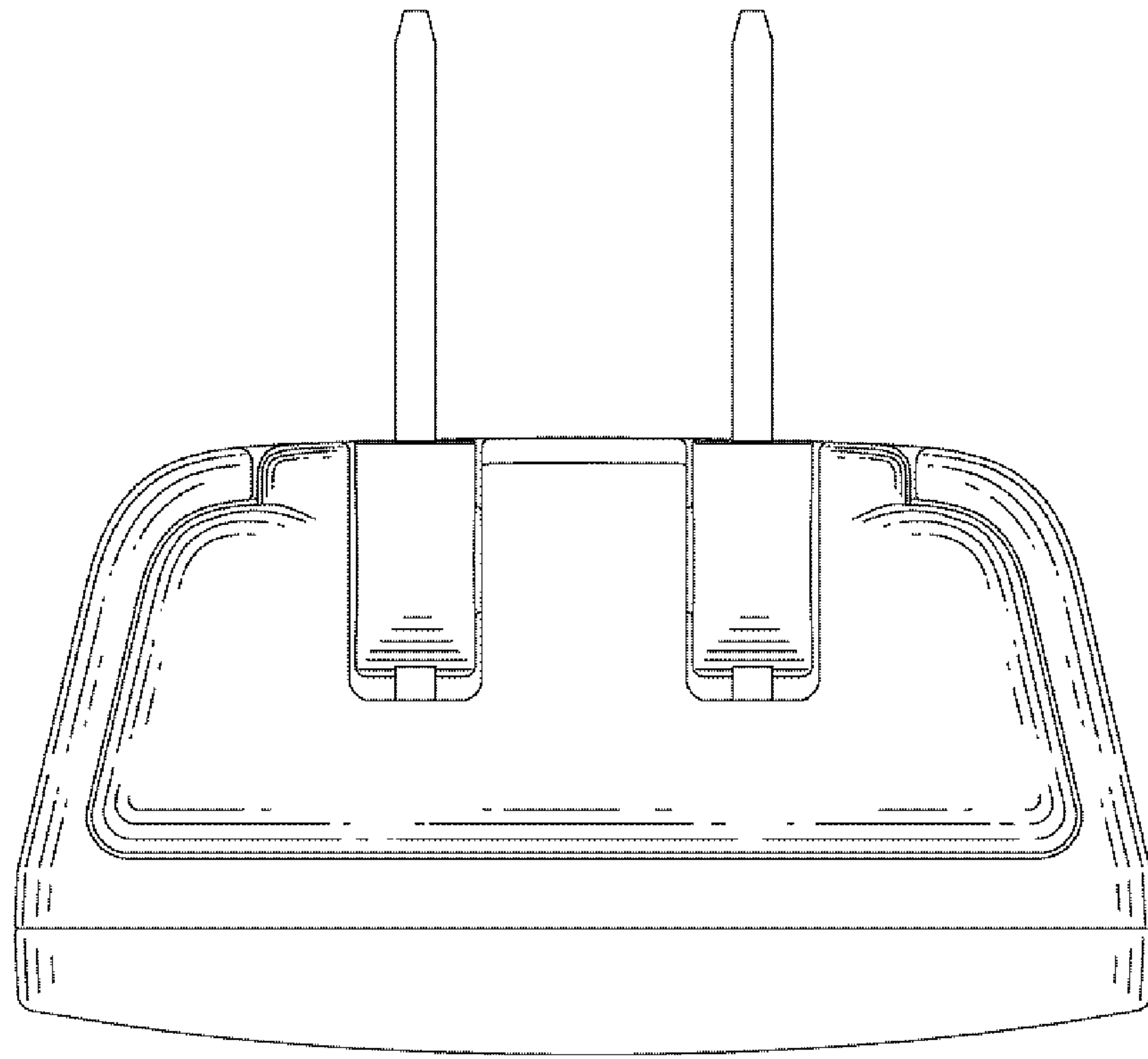


FIG. 6

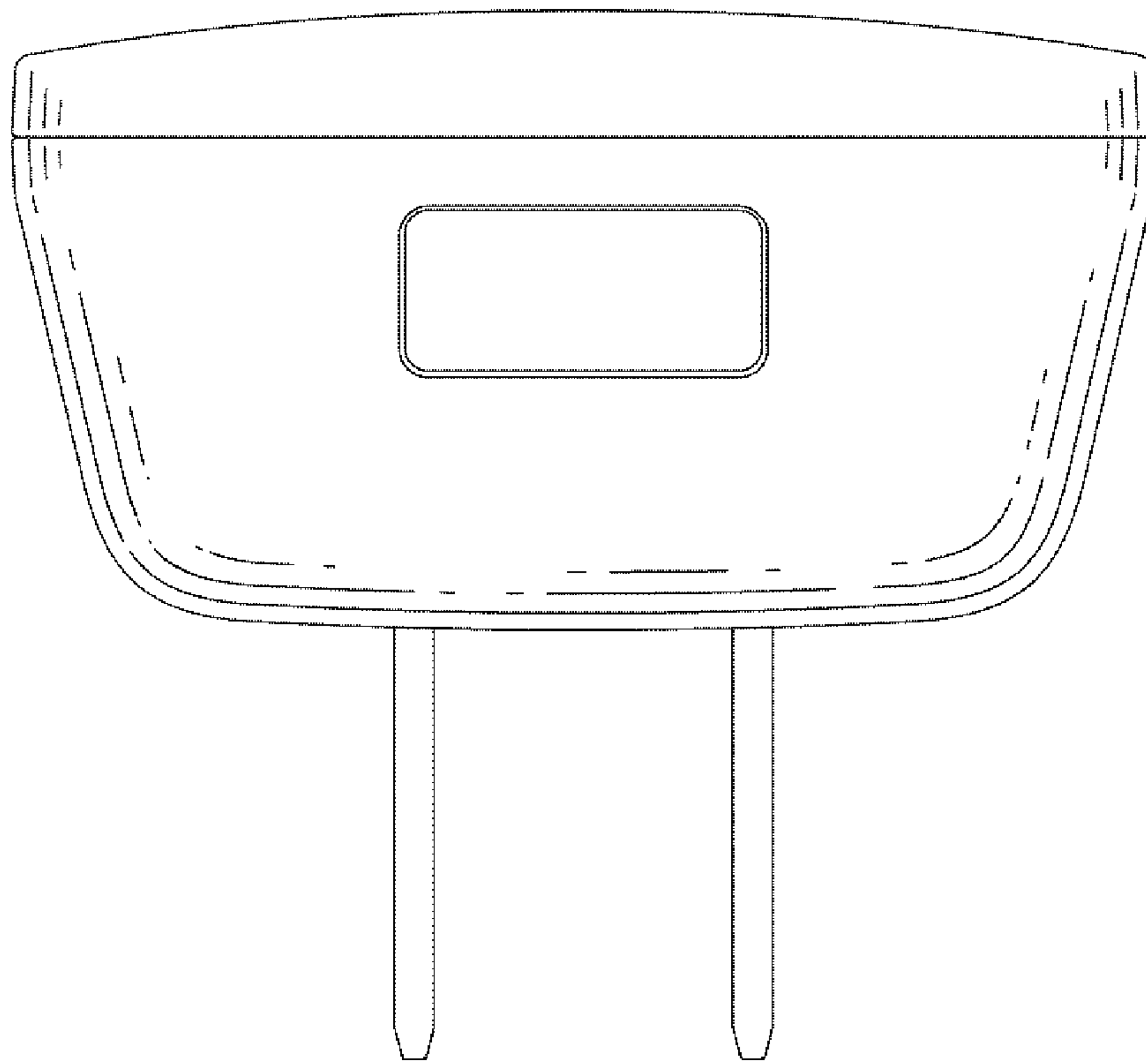


FIG. 7



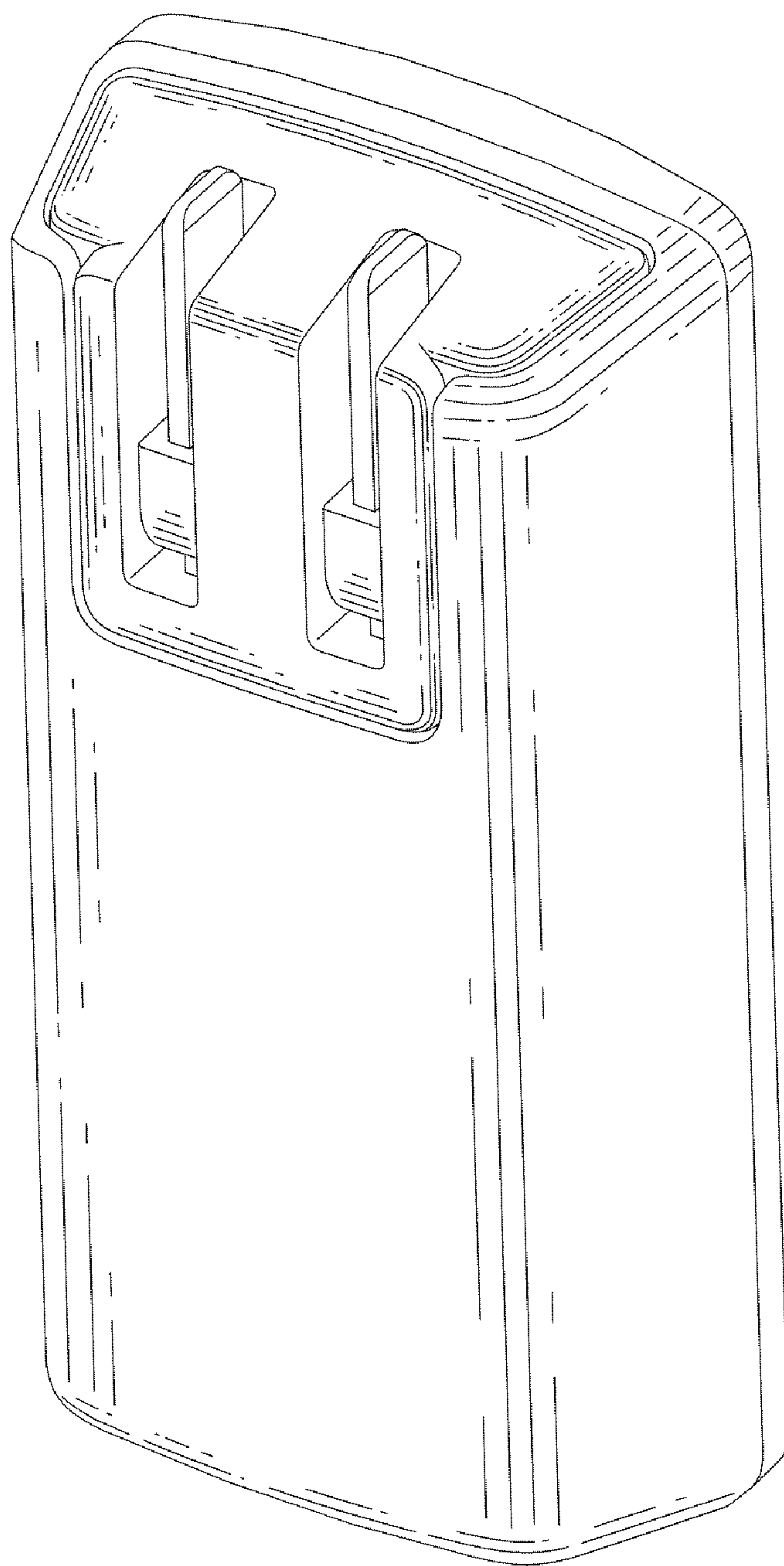


FIG. 8