



US00D638347S

(12) **United States Design Patent**
Davis

(10) **Patent No.:** **US D638,347 S**

(45) **Date of Patent:** **** *May 24, 2011**

(54) **PASSENGER INFORMATION MODULE WITH TOUCH SCREEN DISPLAY**

(75) Inventor: **Jesse H Davis**, Demarest, NJ (US)

(73) Assignee: **Creative Mobile Technologies, LLC**, Long Island, NY (US)

(*) Notice: This patent is subject to a terminal disclaimer.

(**) Term: **14 Years**

(21) Appl. No.: **29/350,209**

(22) Filed: **Nov. 12, 2009**

(51) **LOC (9) Cl.** **12-16**

(52) **U.S. Cl.** **D12/416**

(58) **Field of Classification Search** D12/415-420;
296/36; 22/539; D3/318; 224/404, 275
See application file for complete search history.

(56) **References Cited**

U.S. PATENT DOCUMENTS

D297,527 S * 9/1988 Iacovelli D12/418
D391,251 S * 2/1998 Yuyama et al. D14/132

D425,475 S * 5/2000 Herer D12/424
D443,855 S * 6/2001 Herer et al. D12/415
7,267,402 B2 * 9/2007 Chang 297/217.3
7,448,679 B2 * 11/2008 Chang 297/217.3
7,591,508 B2 * 9/2009 Chang 297/217.3
2003/0121943 A1 * 7/2003 Chou 224/275
2005/0098593 A1 * 5/2005 Schedivy 224/275

* cited by examiner

Primary Examiner — Caron Veynar

Assistant Examiner — Katrina A Kile

(74) *Attorney, Agent, or Firm* — MacDonald, Illig, Jones & Britton LLP; Robert M. Bauer

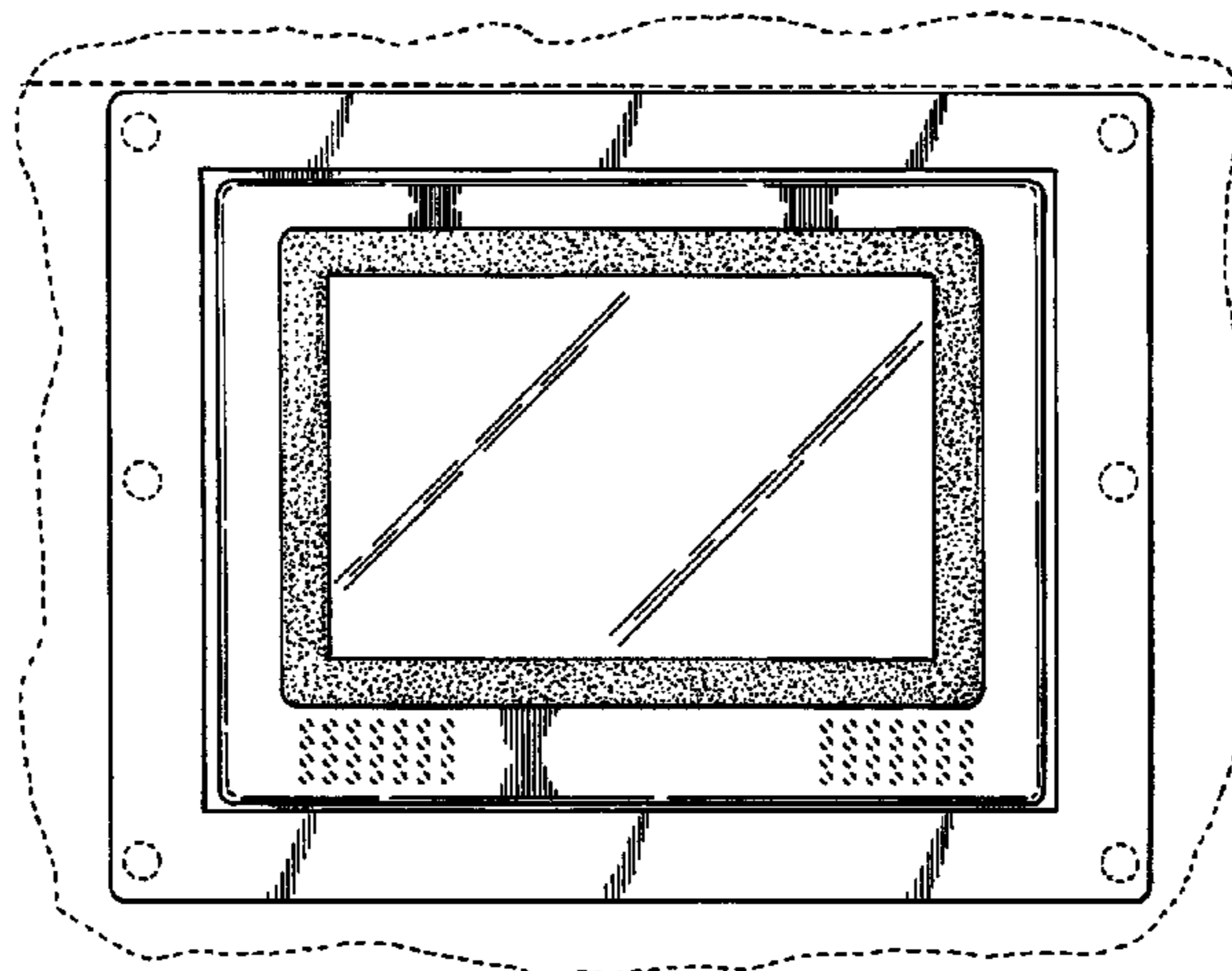
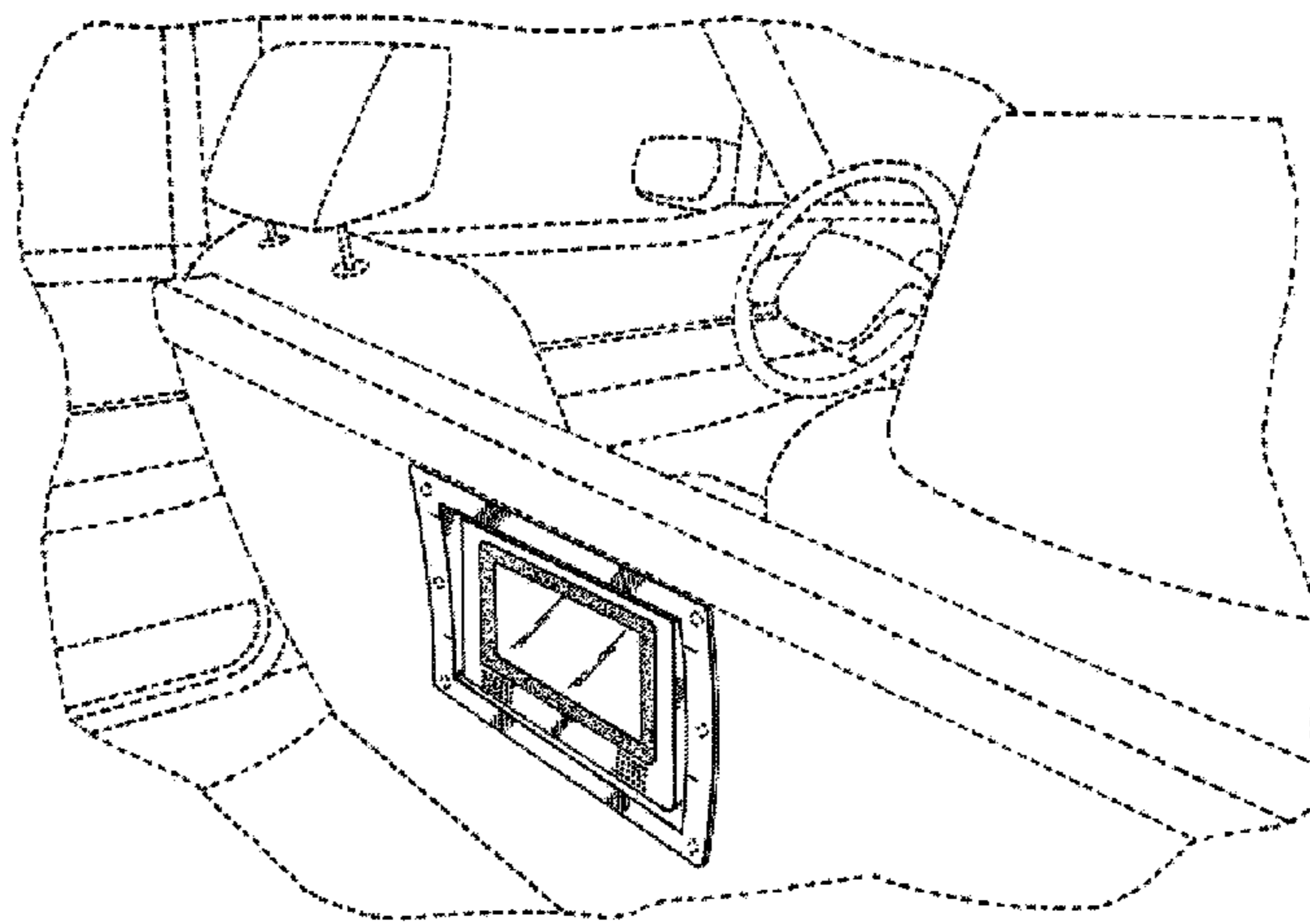
(57) **CLAIM**

The ornamental design for a passenger information module with touch screen display, as shown and described.

DESCRIPTION

FIG. 1 is a perspective view of the inventive design; and, FIG. 2 is an enlarged front view of the invention in FIG. 1. In the drawings, the broken lines in the figures depict a vehicle, portions of the design that forms no part of the claim.

1 Claim, 2 Drawing Sheets



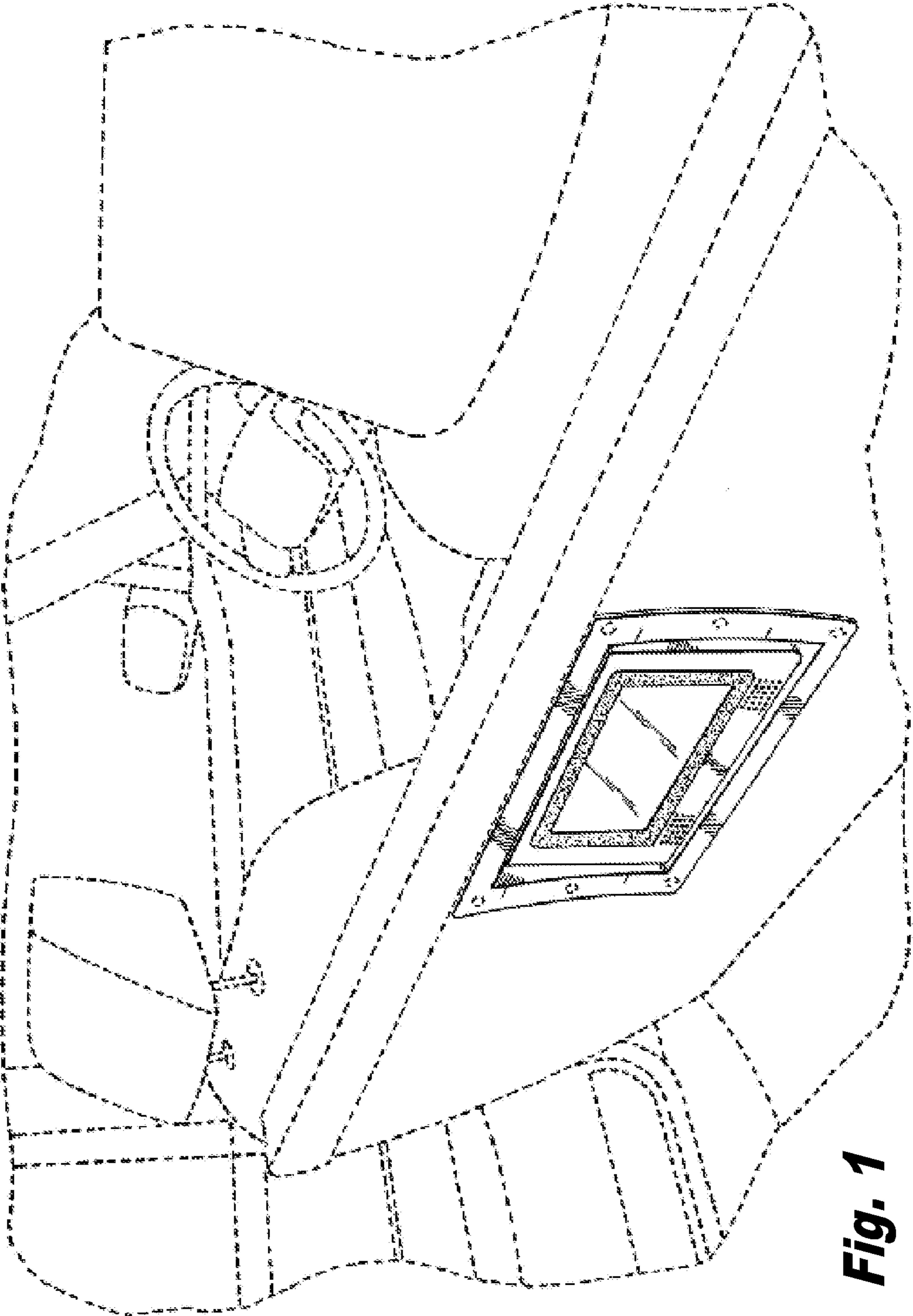


Fig. 1

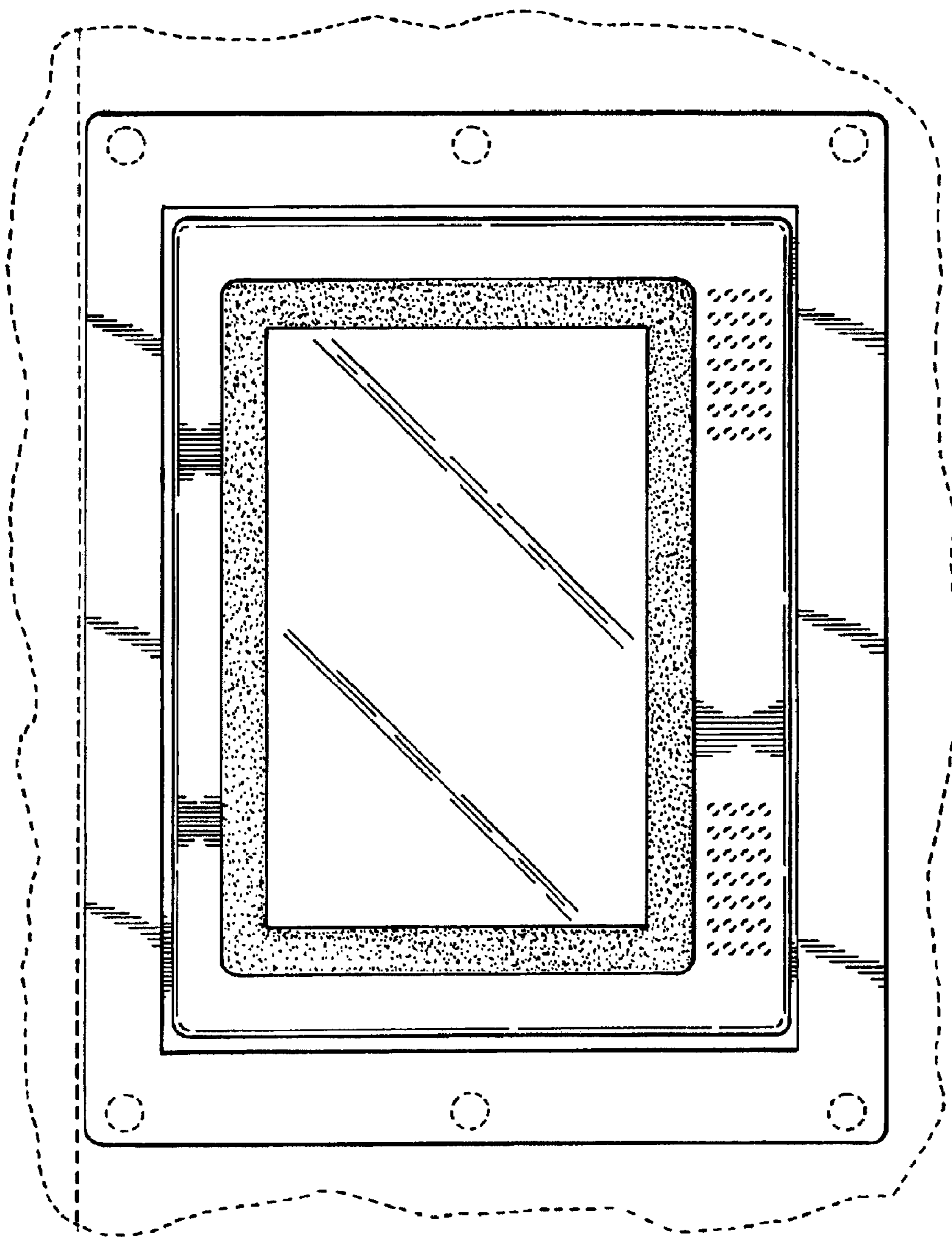


Fig. 2