



US00D638344S

(12) **United States Design Patent**
Mulanon et al.

(10) **Patent No.:** **US D638,344 S**

(45) **Date of Patent:** **** May 24, 2011**

(54) **BRACKET DESIGN**

(75) Inventors: **Kasap Mulanon**, Bangkok (TH);
Anupong Sawatdee, Bangkok (TH)

(73) Assignee: **Sammitr Green Power Co., Ltd.**,
Bangkok (TH)

(**) Term: **14 Years**

(21) Appl. No.: **29/349,220**

(22) Filed: **Mar. 16, 2010**

(51) **LOC (9) Cl.** **12-16**

(52) **U.S. Cl.** **D12/406**

(58) **Field of Classification Search** D12/413,
D12/414, 406, 412, 414.1; 206/213, 8, 9,
206/279, 290, 713, 335, 315.1-315.4; D32/35,
D32/38; D6/317-319, 513-514, 552; 293/37.1,
293/3, 100; 224/309-310, 315-316, 323-329,
224/400; D3/304-306; 280/760-762, 848,
280/727, 769; 296/99.1, 37.1, 100.01, 100.02,
296/157

See application file for complete search history.

(56) **References Cited**

U.S. PATENT DOCUMENTS

D302,262	S *	7/1989	Dickerman	D12/412
4,954,030	A *	9/1990	Szucs et al.	410/96
D314,111	S *	1/1991	Ohno	D6/552
D314,287	S *	2/1991	Albright, Sr.	D6/417
D314,302	S *	2/1991	Snow	D6/552
D314,469	S *	2/1991	Chilcutt	D6/552
5,282,555	A *	2/1994	Muir et al.	224/532
5,938,093	A *	8/1999	Bloemer et al.	224/553
2008/0083857	A1 *	4/2008	Kato	248/149
2008/0164292	A1 *	7/2008	Farney	224/324
2009/0033117	A1 *	2/2009	Carpenter	296/37.1
2010/0181357	A1 *	7/2010	Christianson	224/497

FOREIGN PATENT DOCUMENTS

TH 0902000562 2/2009

(Continued)

OTHER PUBLICATIONS

U.S. Appl. No. 29/349,621, filed Apr. 16, 2010; first named inventor:
Kasap Mulanon.

Primary Examiner — Caron Veynar

Assistant Examiner — Katrina A Kile

(74) *Attorney, Agent, or Firm* — Fross Zelnick Lehrman &
Zissu, P.C.; Charles T. J. Weigell, Esq.

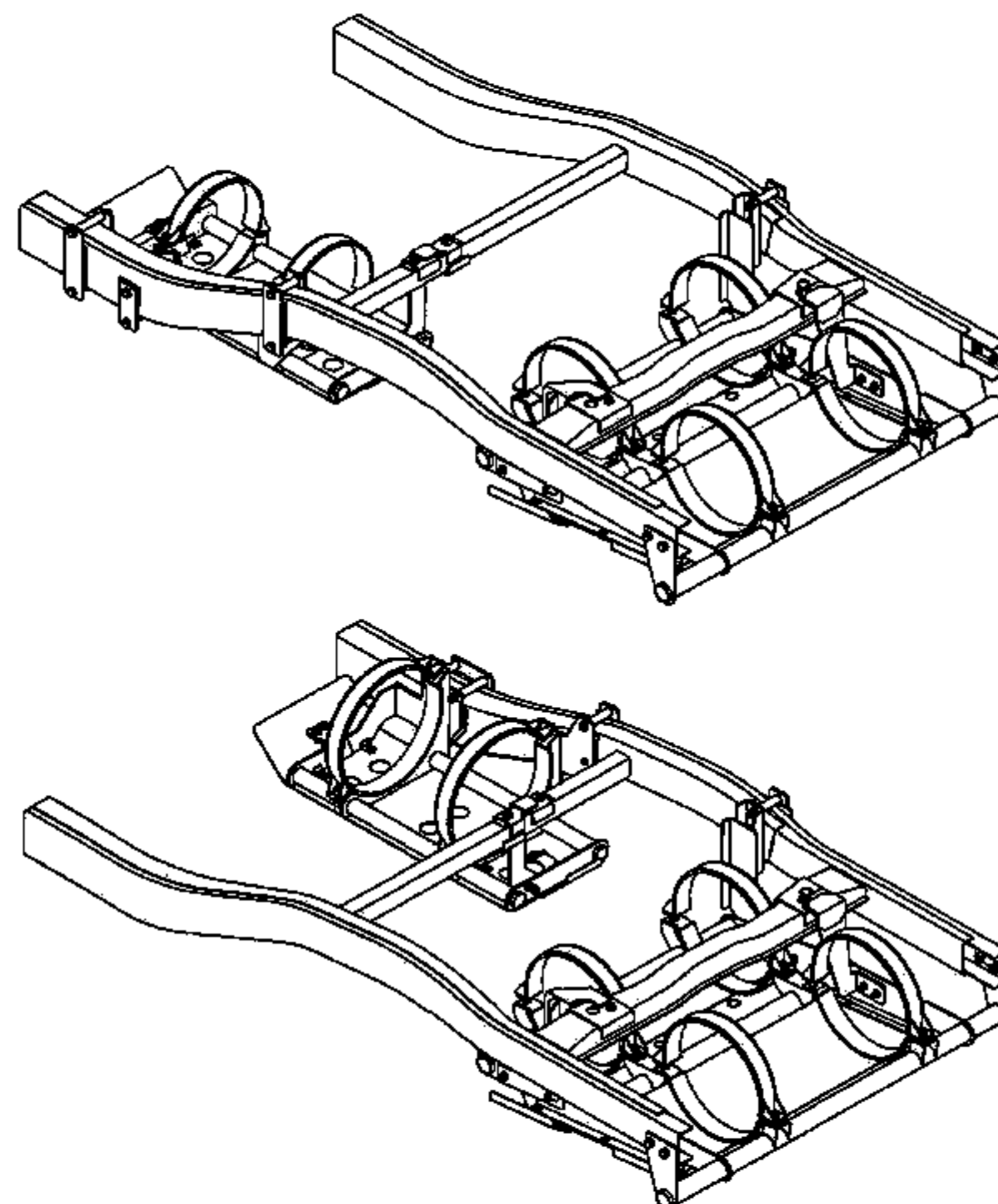
(57) **CLAIM**

The ornamental design for a bracket design, as shown.

DESCRIPTION

FIG. 1 is a front perspective view of a bracket design;
 FIG. 2 is a left side view of the bracket;
 FIG. 3 is a front view of the bracket;
 FIG. 4 is a right side view of the bracket;
 FIG. 5 is a rear view of the bracket;
 FIG. 6 is a top view of the bracket;
 FIG. 7 is a bottom view of the bracket;
 FIG. 8 is a rear perspective view of the bracket;
 FIG. 9 is a front perspective view of a bracket design;
 FIG. 10 is a left side view of the bracket;
 FIG. 11 is a front view of the bracket;
 FIG. 12 is a right side view of the bracket;
 FIG. 13 is a rear view of the bracket;
 FIG. 14 is a top view of the bracket;
 FIG. 15 is a bottom view of the bracket;
 FIG. 16 is a rear perspective view of the bracket;
 FIG. 17 is a front perspective view of a bracket design;
 FIG. 18 is a left side view of the bracket;
 FIG. 19 is a front view of the bracket;
 FIG. 20 is a right side view of the bracket;
 FIG. 21 is a rear view of the bracket;
 FIG. 22 is a top view of the bracket;
 FIG. 23 is a bottom view of the bracket; and,
 FIG. 24 is a rear perspective view of the bracket.

1 Claim, 24 Drawing Sheets



US D638,344 S

Page 2

FOREIGN PATENT DOCUMENTS					
TH	0902000563	2/2009	TH	0902001457	5/2009
TH	0902001112	4/2009	TH	0902001747	6/2009
TH	0902001113	4/2009	TH	0902001748	6/2009
TH	0902001114	4/2009	TH	0902002943	10/2009
TH	0902001456	5/2009	TH	0902003344	11/2009

* cited by examiner

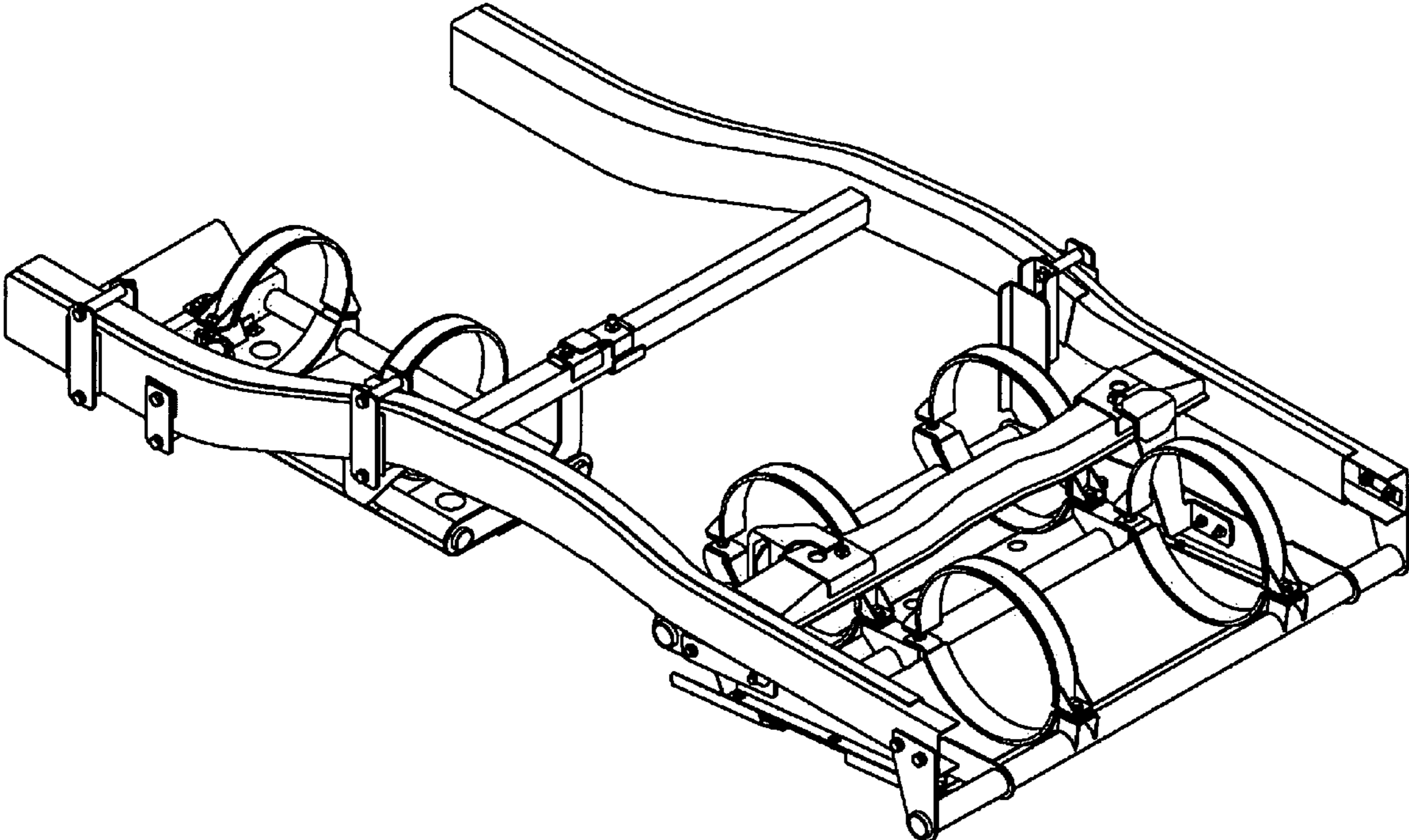


FIG. 1

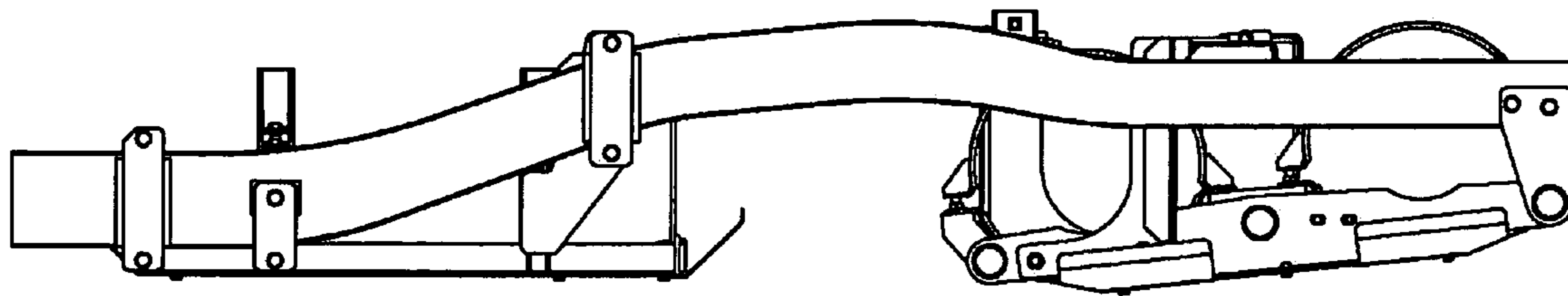


FIG. 2

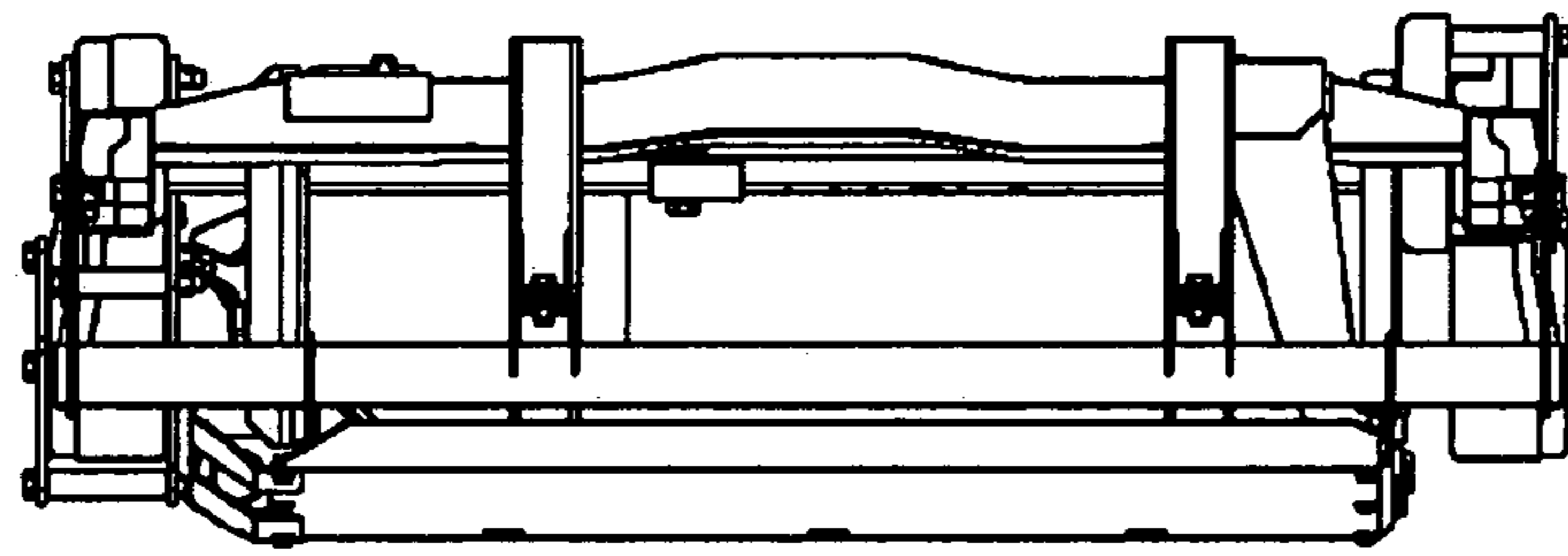


FIG. 3

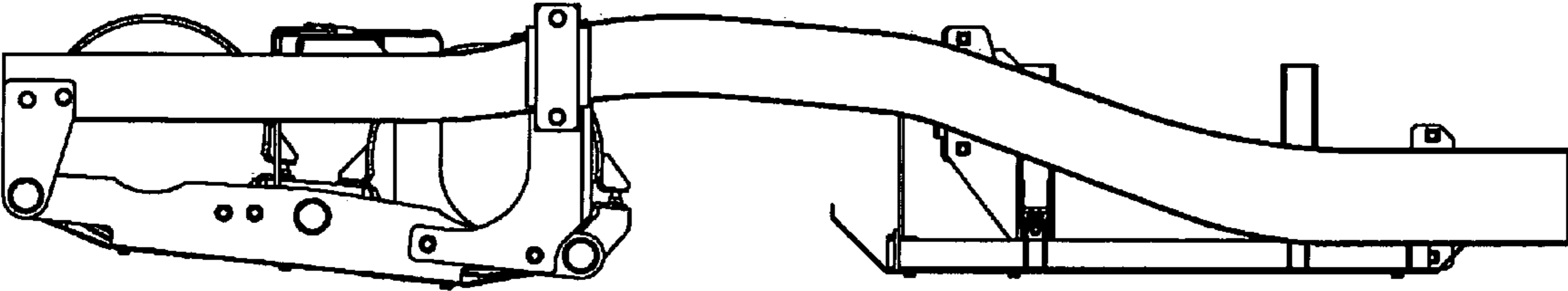


FIG. 4

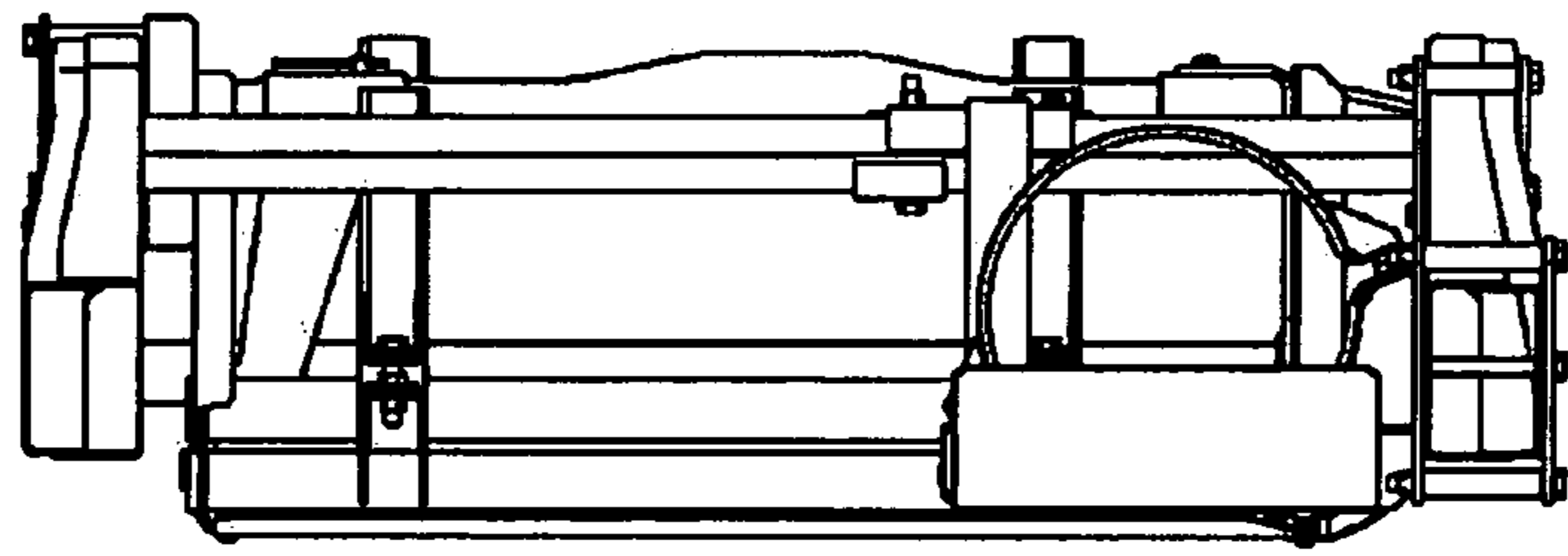


FIG. 5

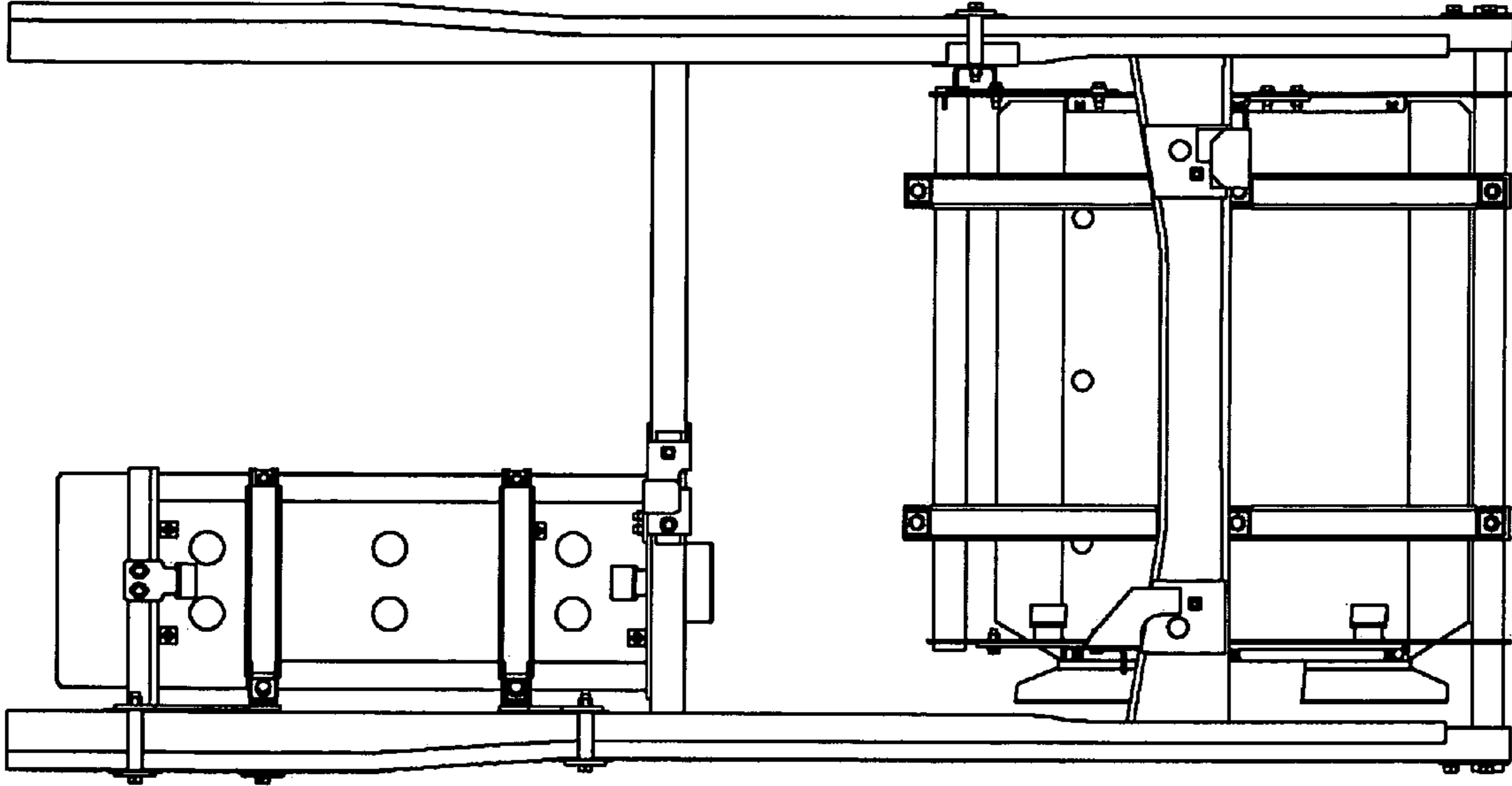


FIG. 6

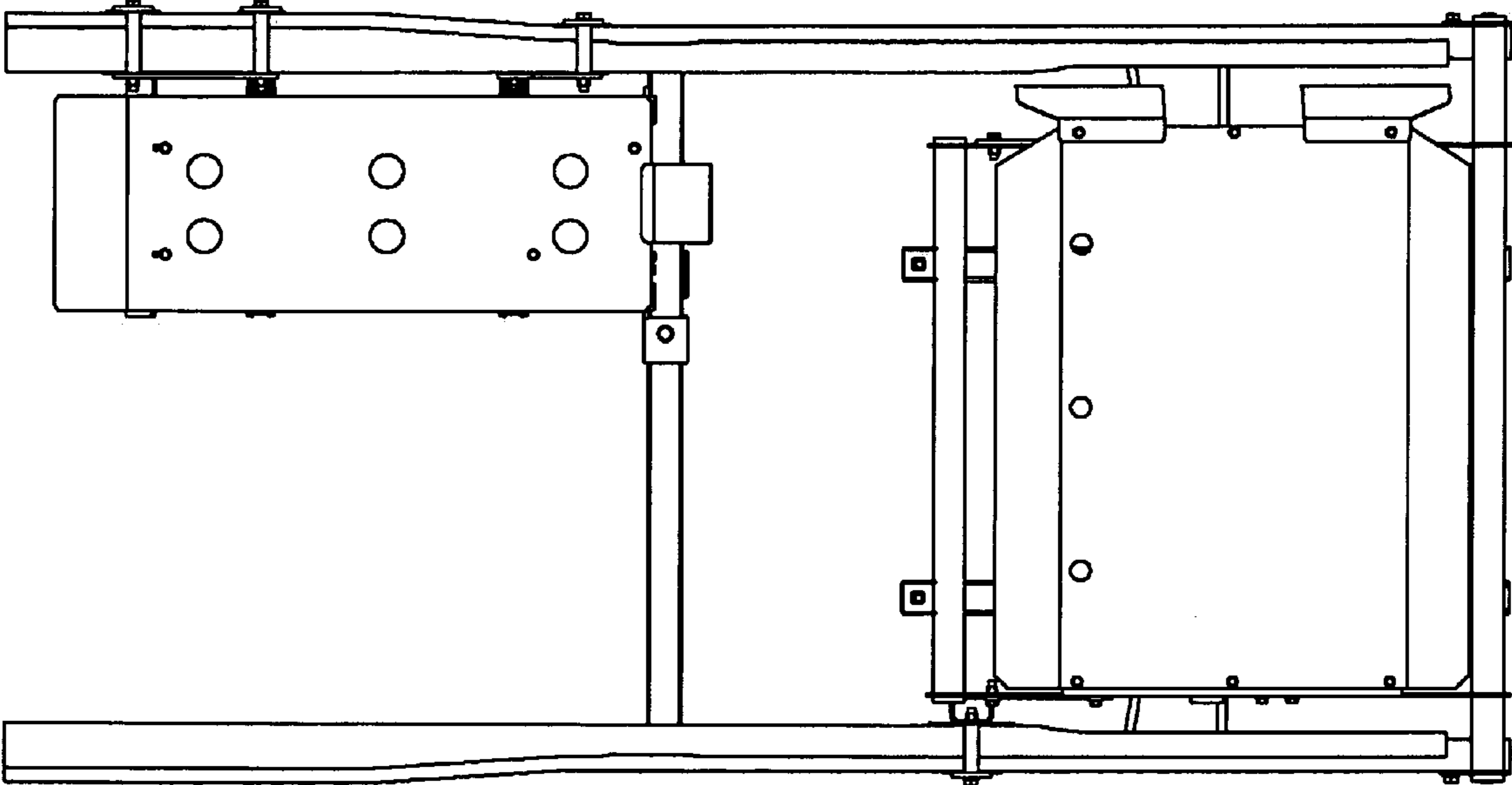


FIG. 7

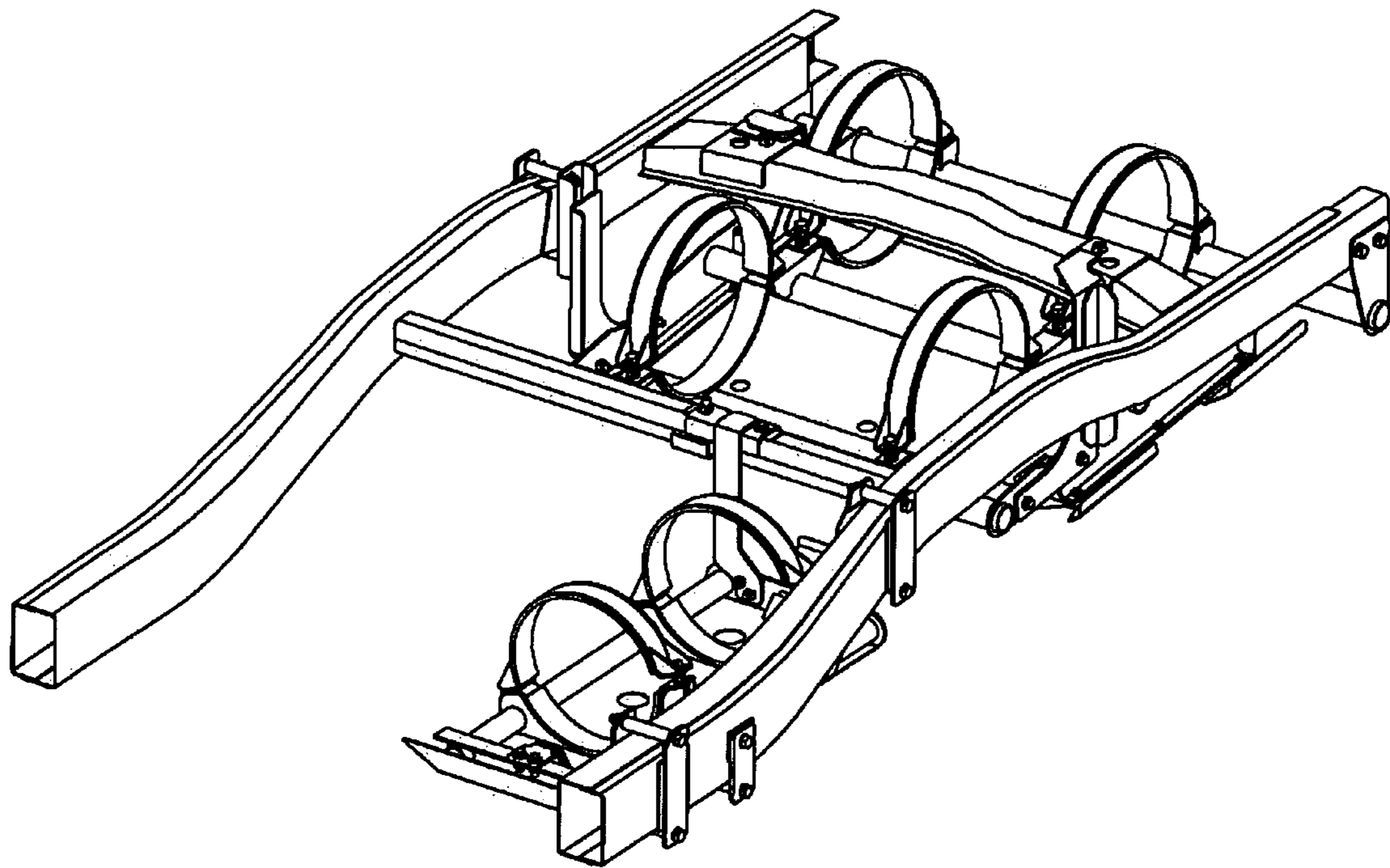


FIG. 8

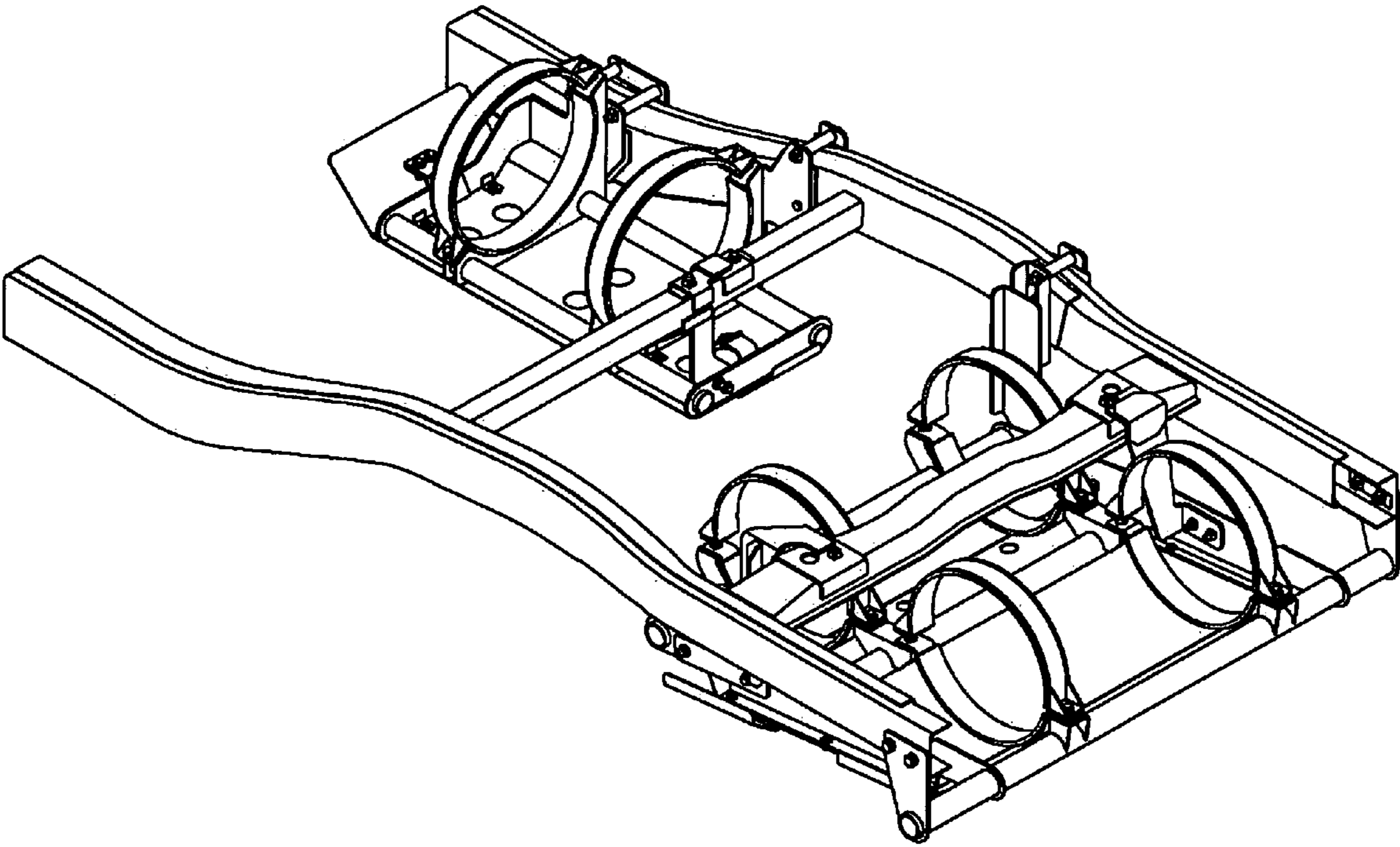


FIG. 9

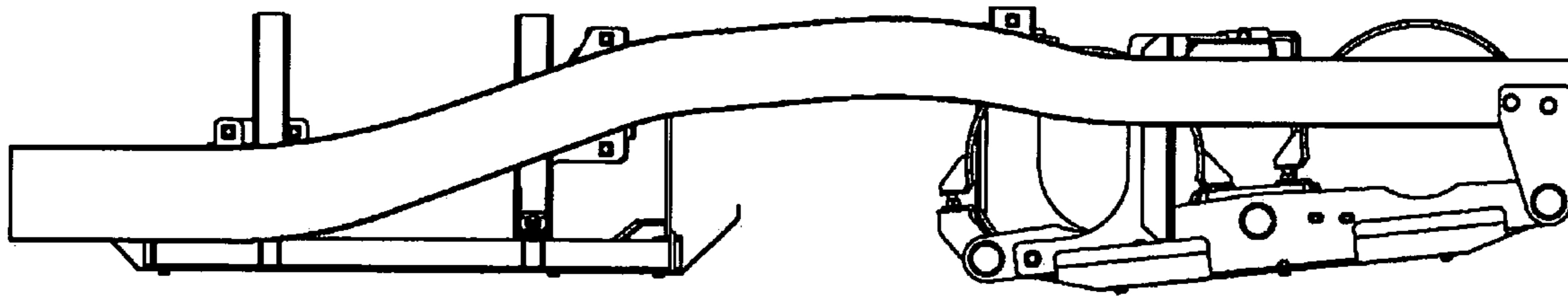


FIG. 10

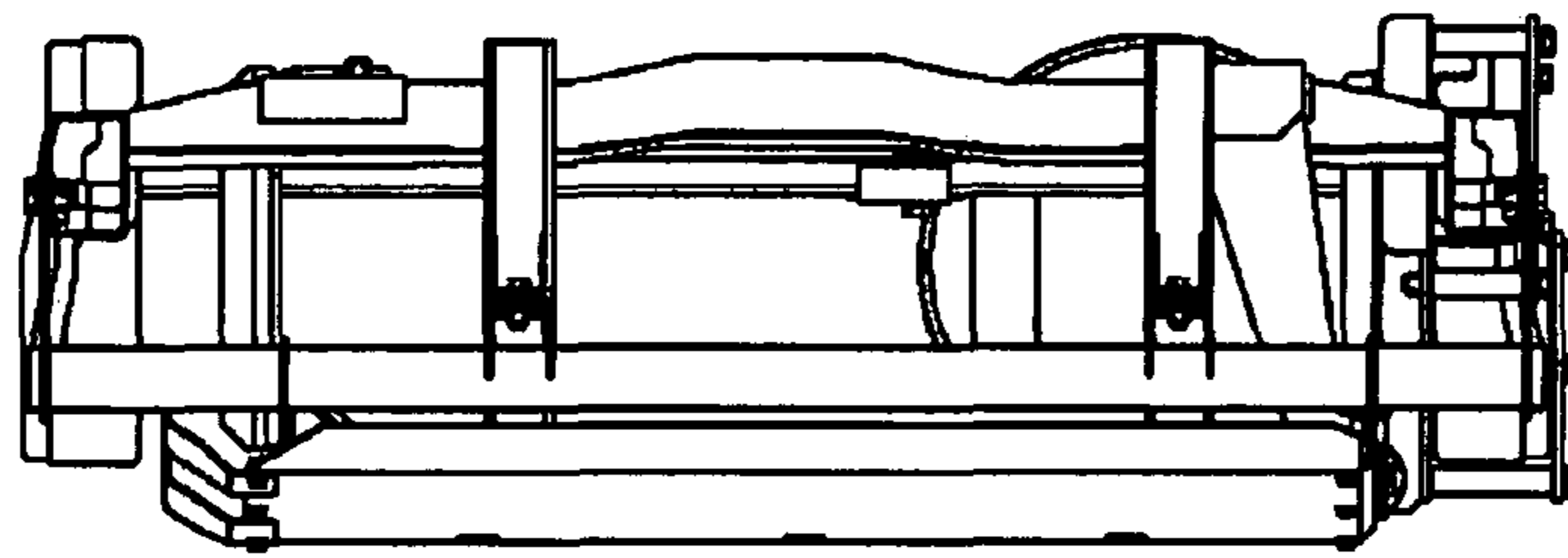


FIG. 11

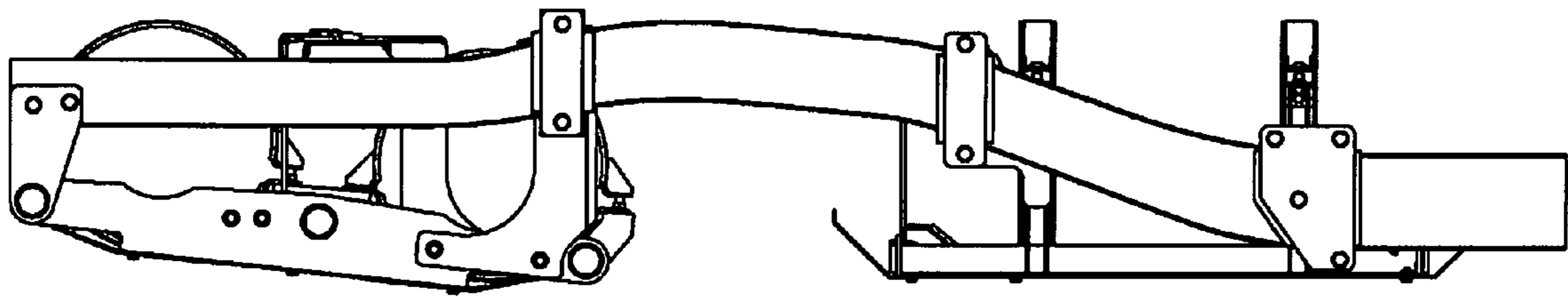


FIG. 12

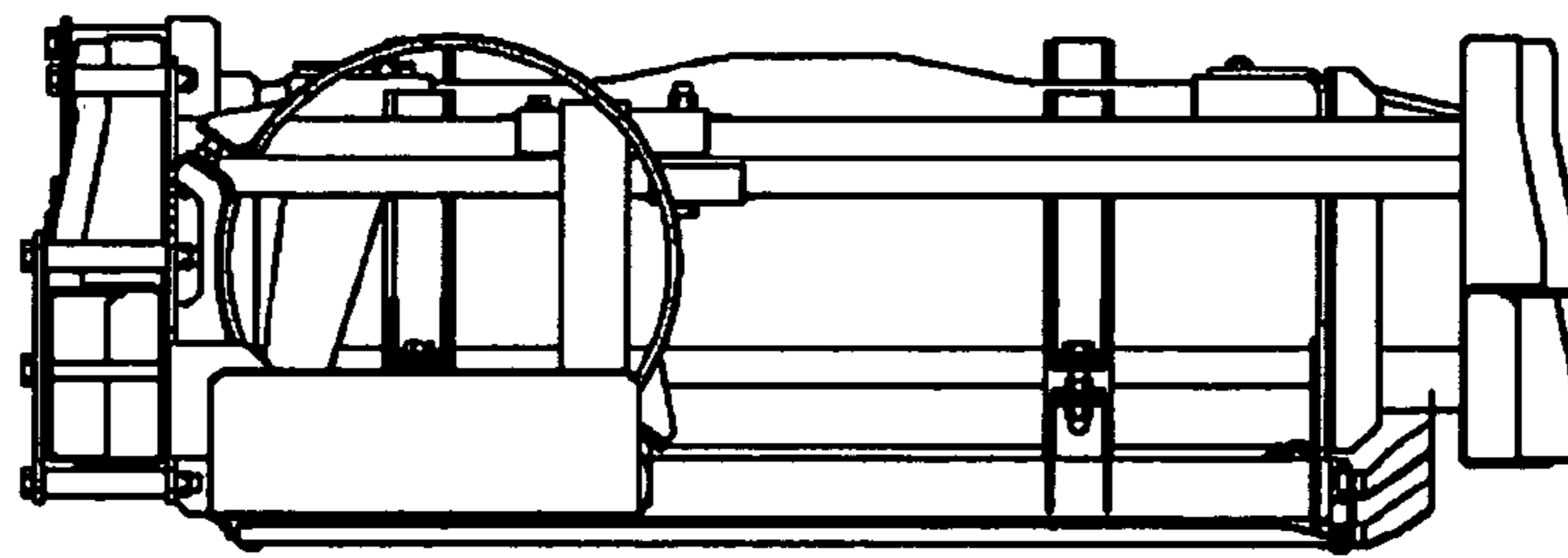


FIG. 13

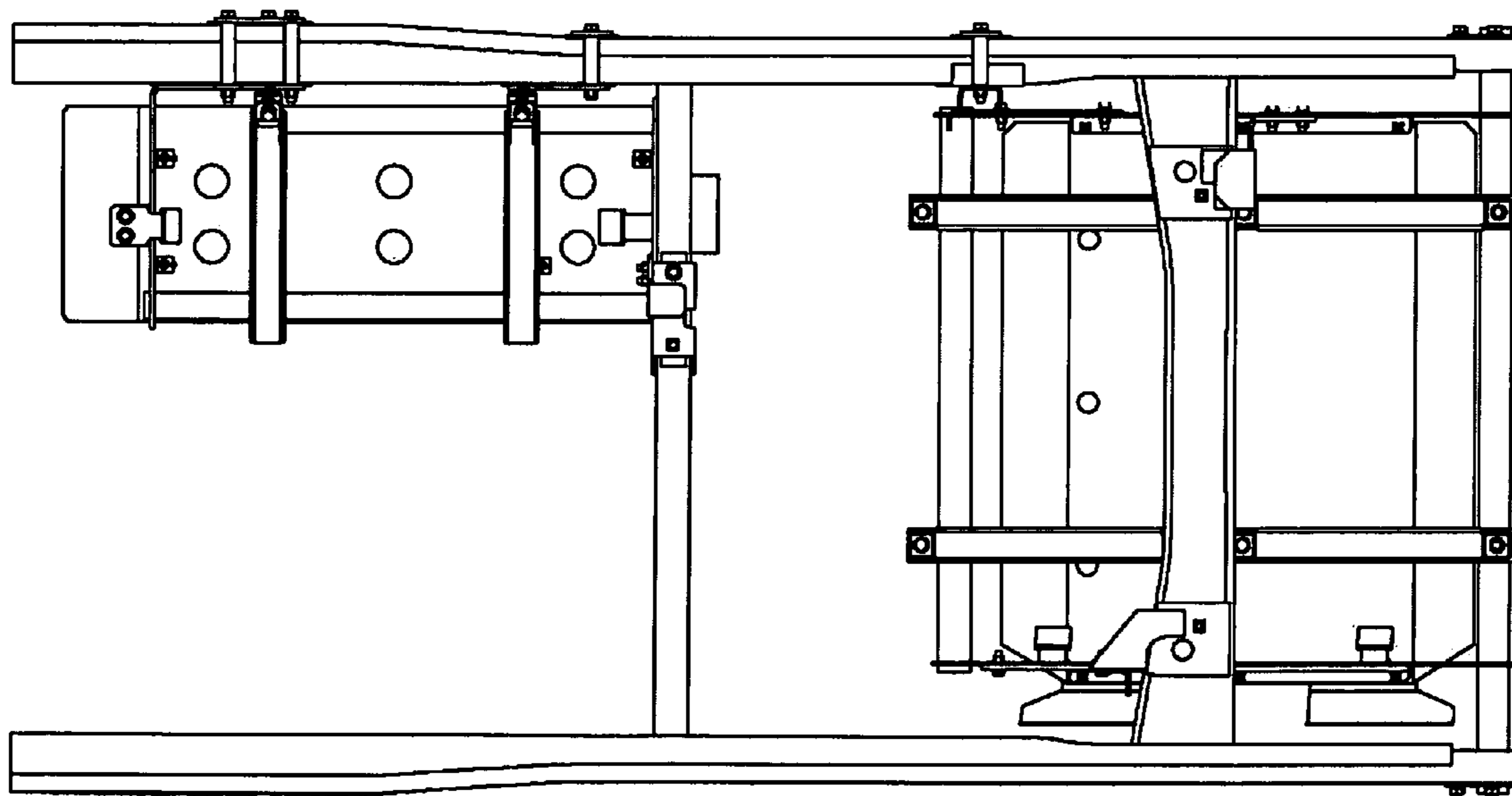


FIG. 14

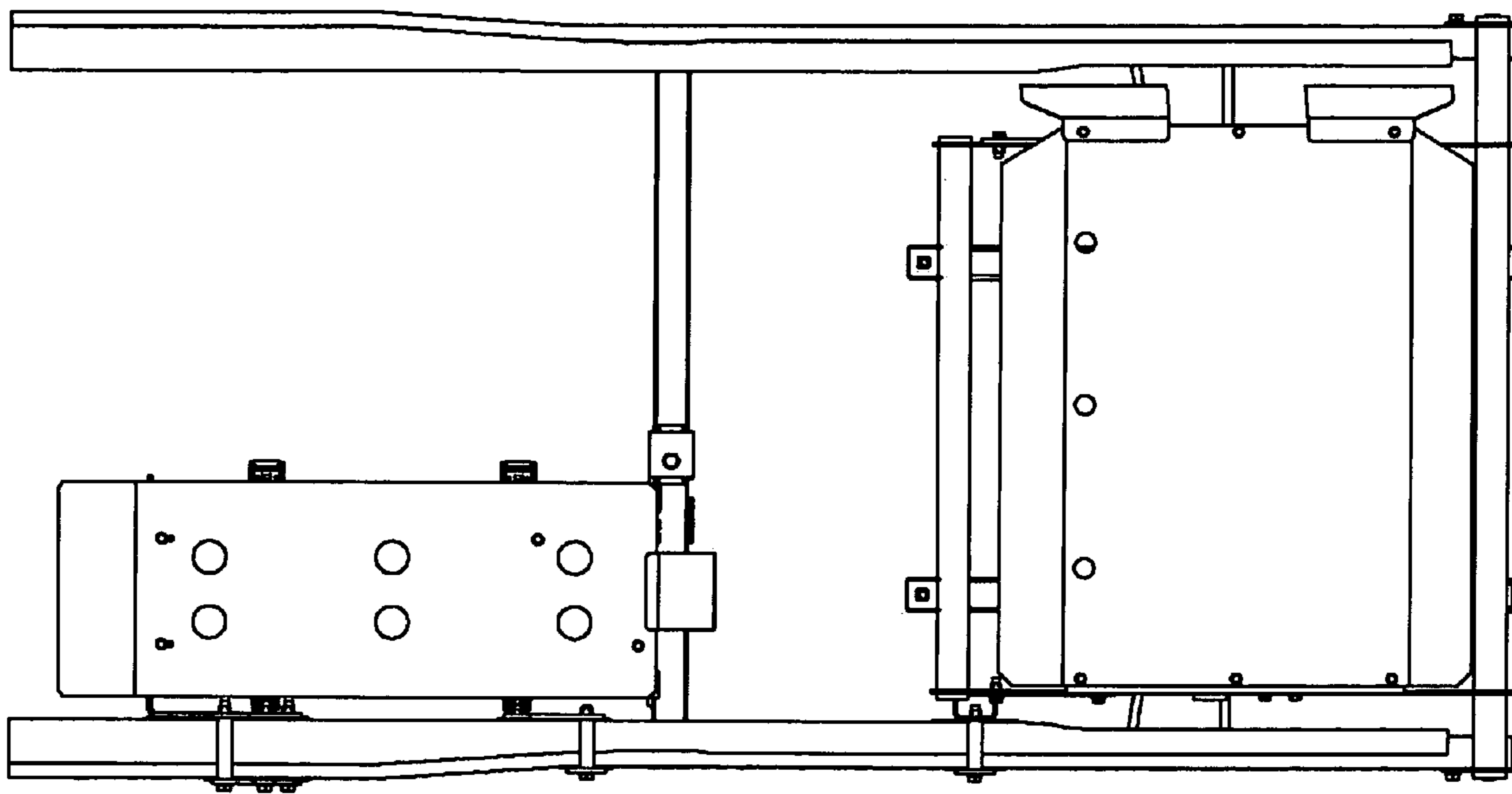


FIG. 15

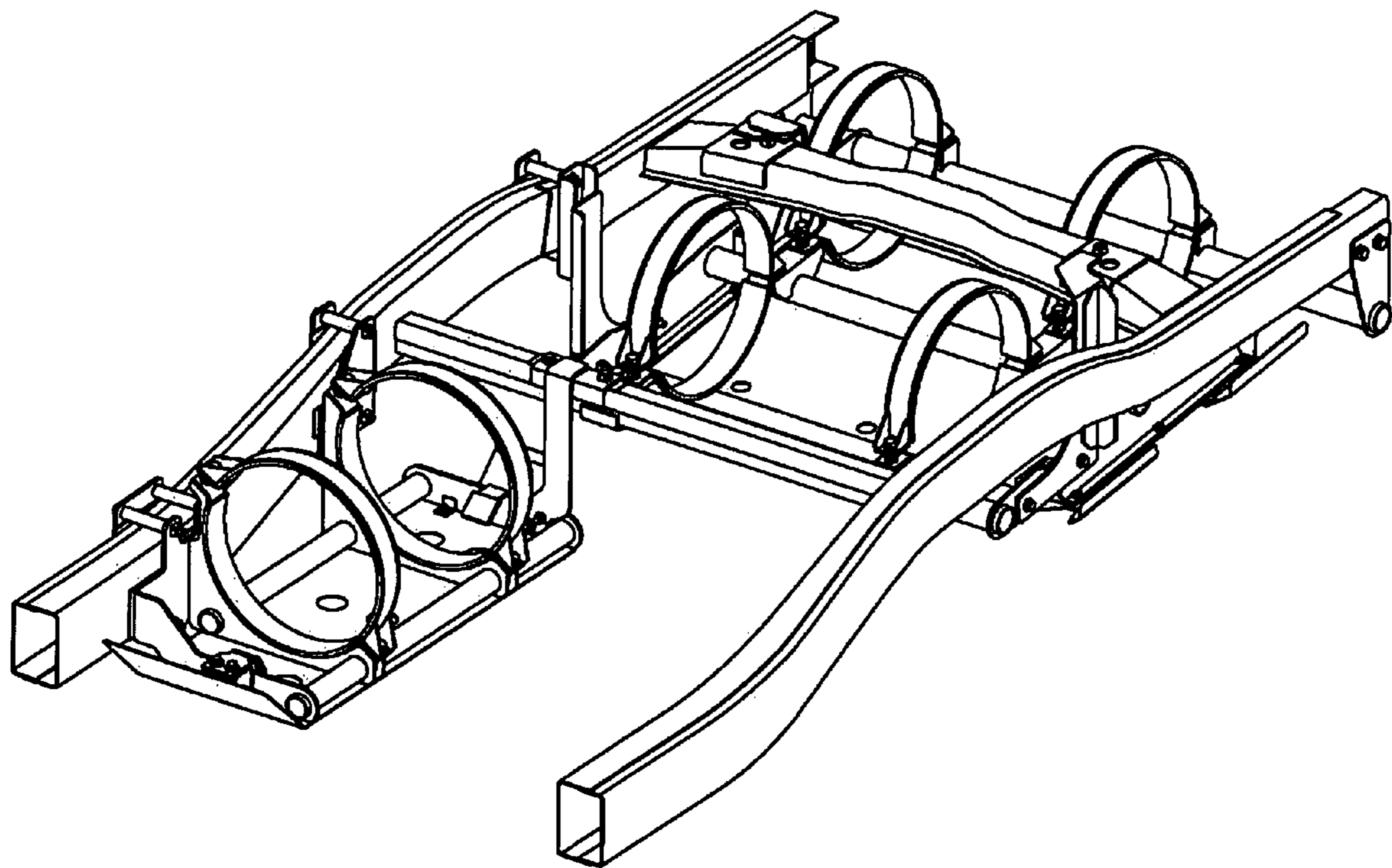


FIG. 16

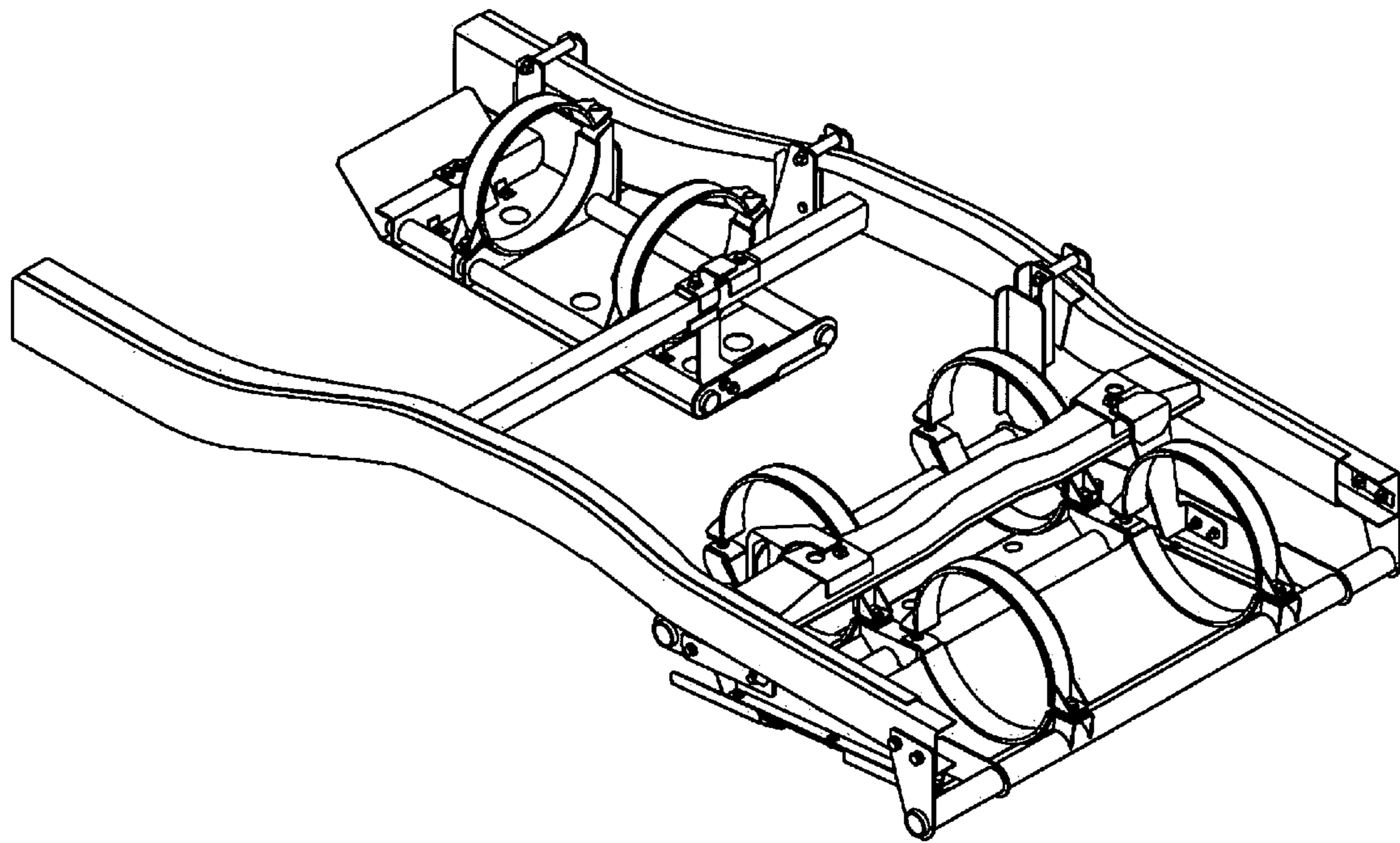


FIG. 17

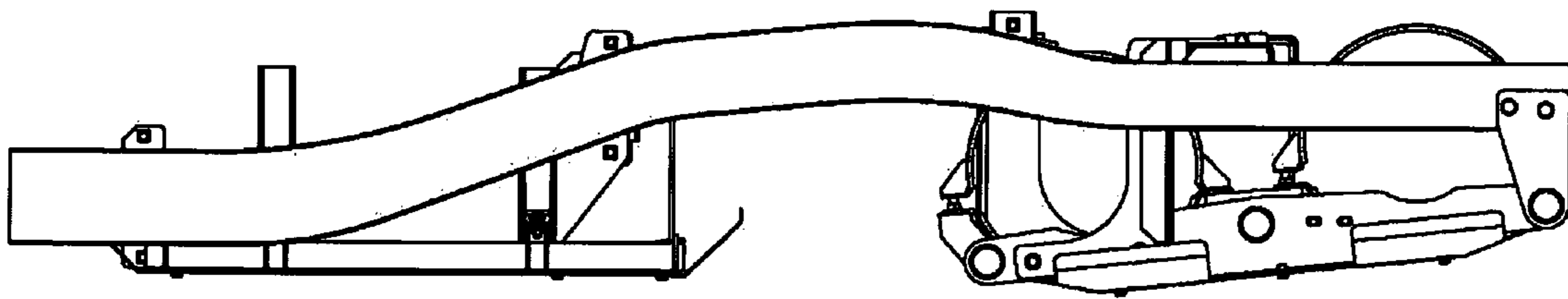


FIG. 18

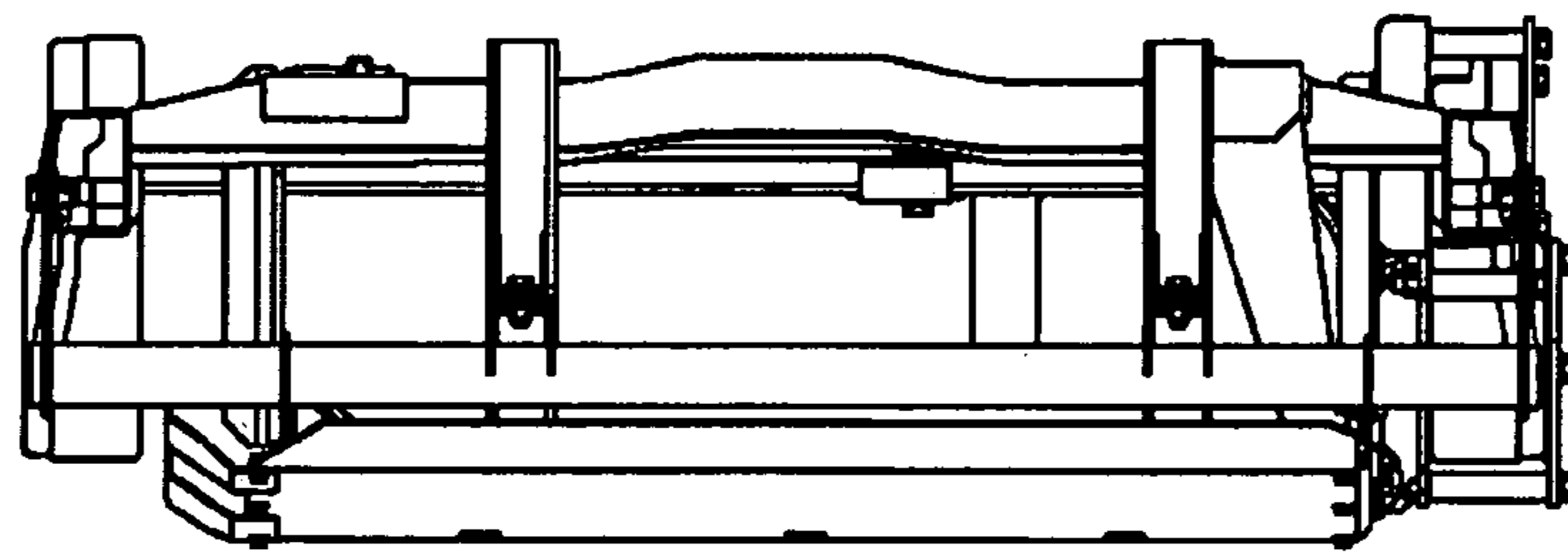


FIG. 19

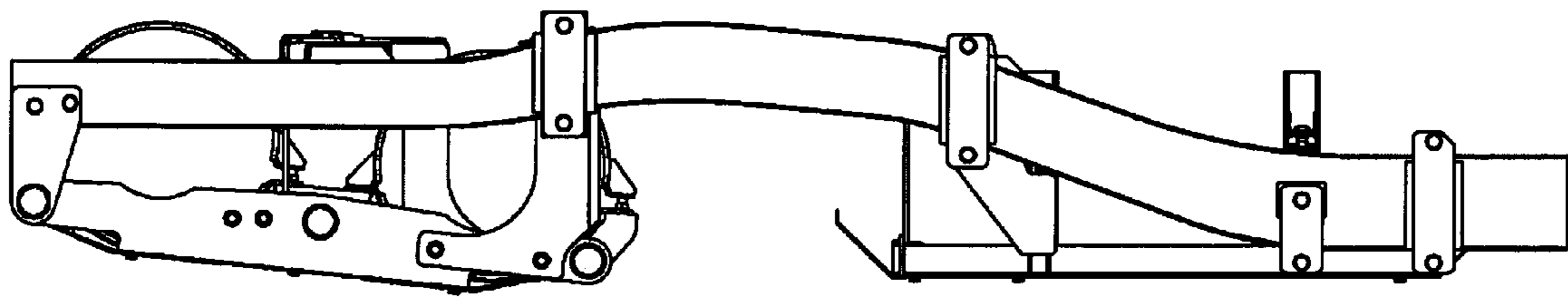


FIG. 20

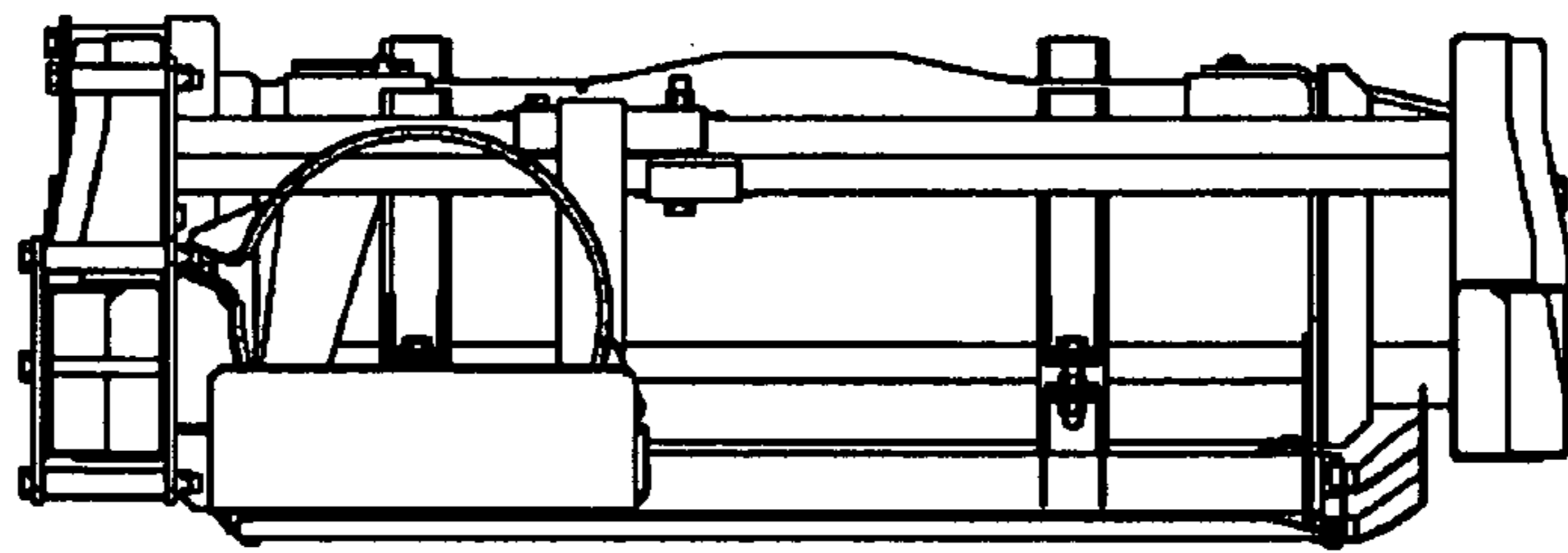


FIG. 21

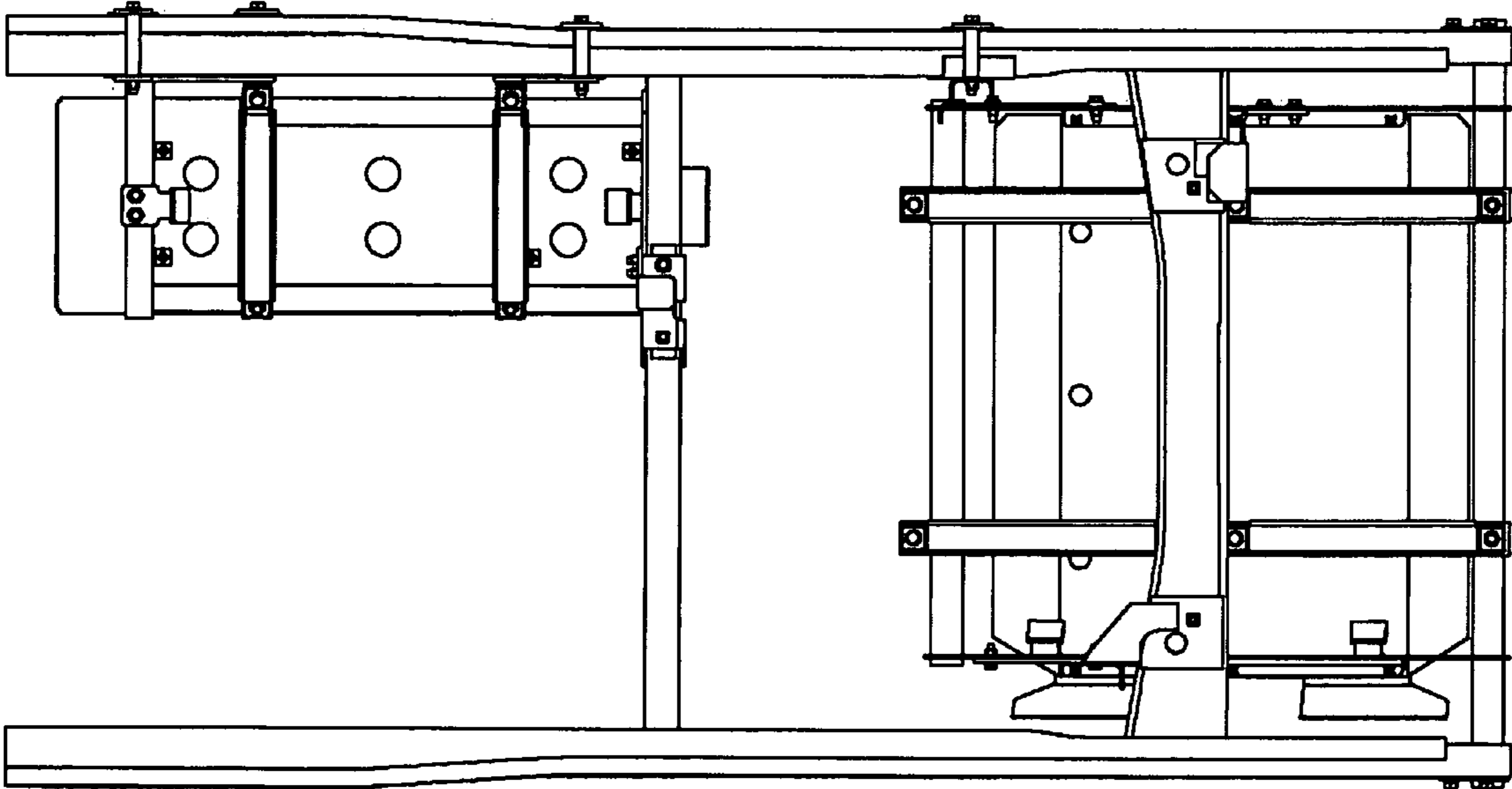


FIG. 22

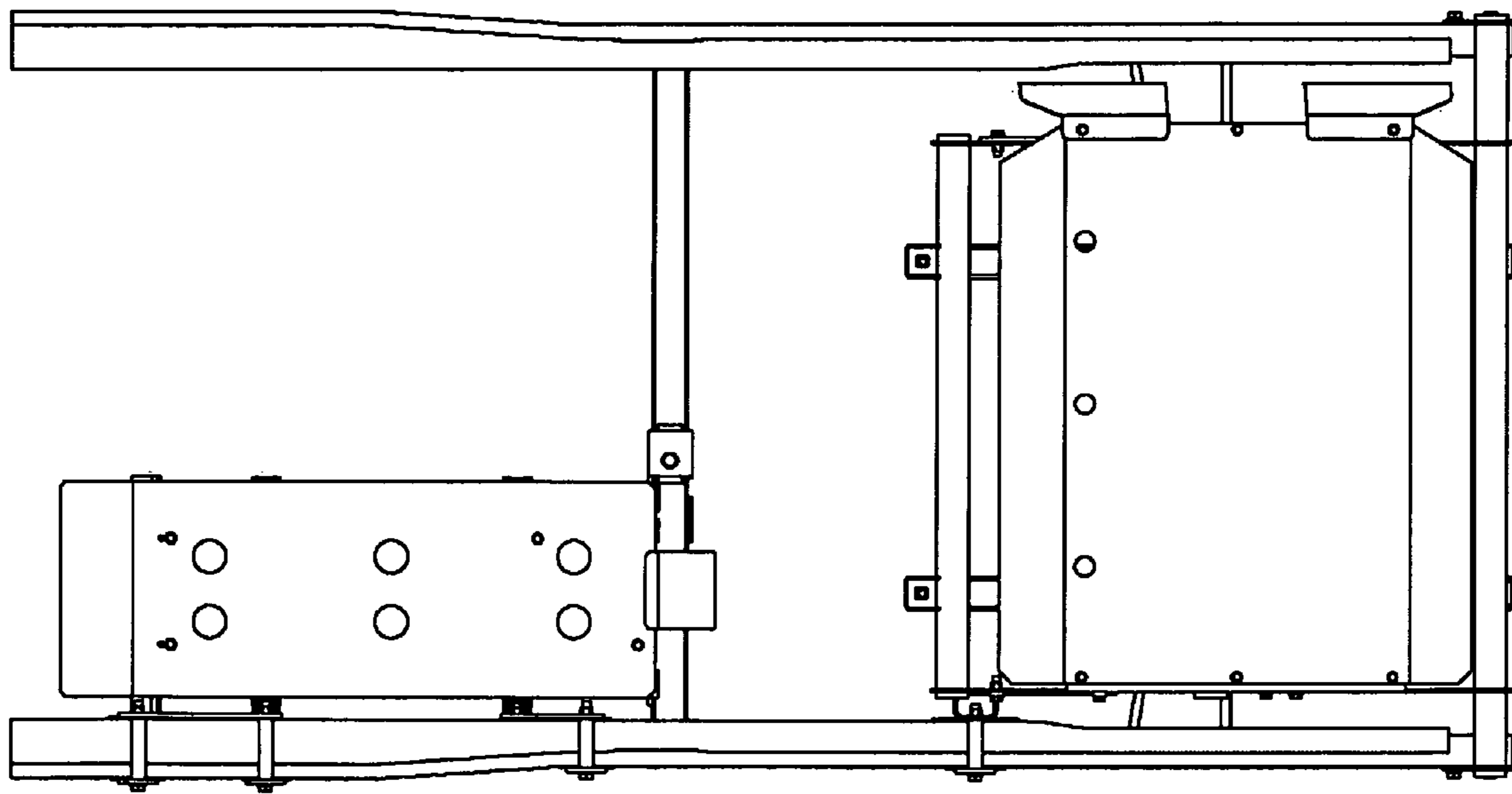


FIG. 23

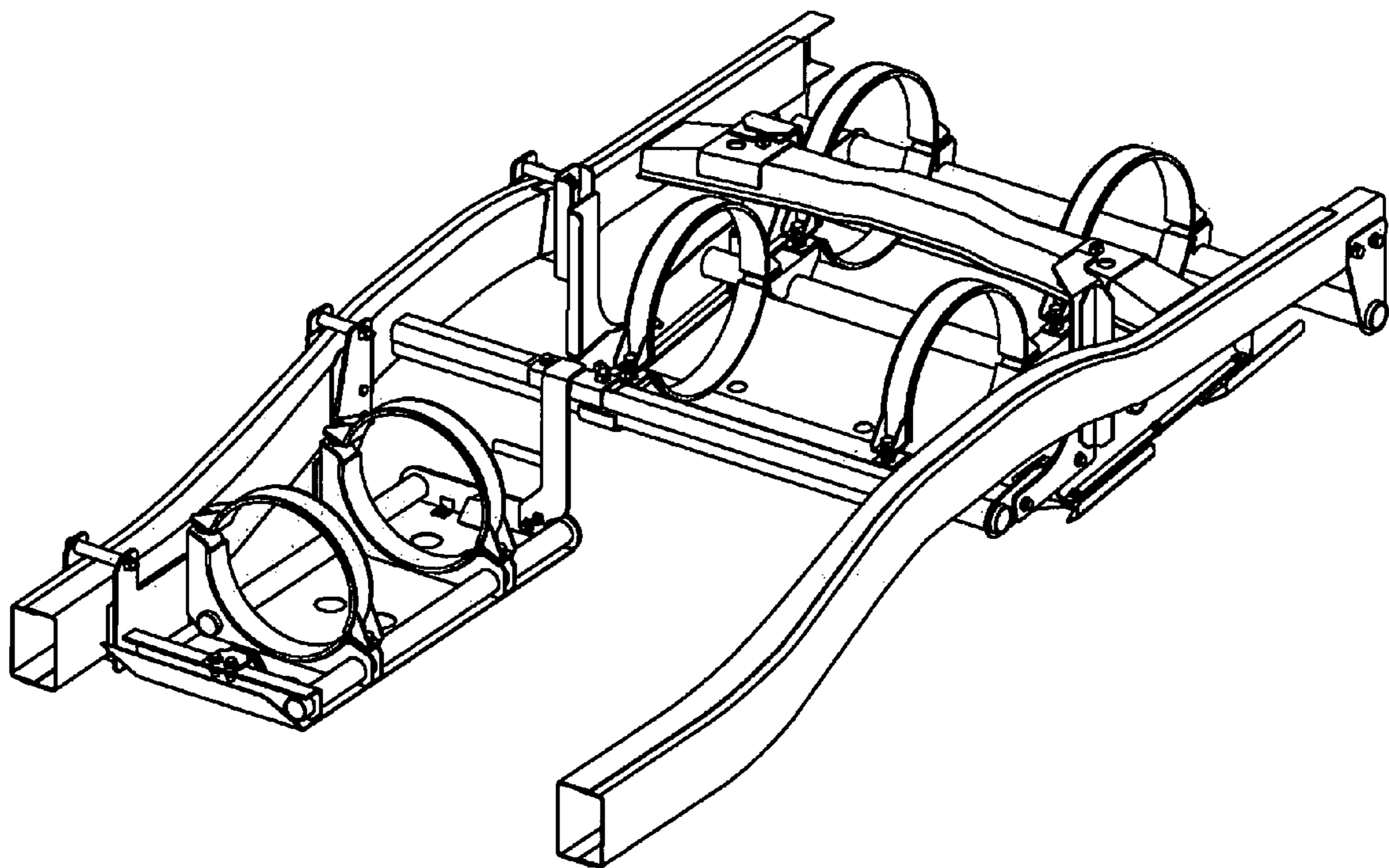


FIG. 24

UNITED STATES PATENT AND TRADEMARK OFFICE
Certificate

Patent No. D. 638,344 S

Patented: May 24, 2011

On petition requesting issuance of a certificate for correction of inventorship pursuant to 35 U.S.C. 256, it has been found that the above identified patent, through error and without any deceptive intent, improperly sets forth the inventorship.

Accordingly, it is hereby certified that the correct inventorship of this patent is: Kasap Mulanon, Bangkok (TH).

Signed and Sealed this Twenty-fifth Day of February 2014.

CARON D. VEYNAR
Supervisory Patent Examiner
Art Unit 2913
Technology Center 2900