



US00D638343S

(12) **United States Design Patent**
Kramer

(10) **Patent No.:** **US D638,343 S**

(45) **Date of Patent:** **** May 24, 2011**

(54) **COLLAPSIBLE CAP FOR A PICKUP TRUCK**

(76) Inventor: **Jerry Kramer**, Atlanta, GA (US)

(**) Term: **14 Years**

(21) Appl. No.: **29/369,479**

(22) Filed: **Sep. 9, 2010**

(51) **LOC (9) Cl.** **12-16**

(52) **U.S. Cl.** **D12/403**

(58) **Field of Classification Search** D12/401-414,
D12/414.1, 89-93, 16, 96-100; D21/433-434,
D21/548, 552, 559, 561; D25/38, 43; D6/552,
D6/513, 567; 135/88.01, 95, 165-167; 150/158;
160/32, 26; 280/770; 296/136.01, 190.08,
296/190.01-190.02, 114-116, 77.1, 100.01-100.06,
296/98; 248/687, 688; D8/71; D3/905,
D3/272, 273; 5/662

See application file for complete search history.

(56) **References Cited**

U.S. PATENT DOCUMENTS

D327,463 S *	6/1992	Williams	D12/403
D379,173 S *	5/1997	Quiniones	D12/404
D403,652 S *	1/1999	Starr et al.	D12/404
D431,224 S *	9/2000	Schroeder	D12/404
D586,722 S *	2/2009	Miller et al.	D12/413
D610,067 S *	2/2010	Frankham	D12/404
D630,156 S *	1/2011	Farber	D12/413
2007/0267887 A1 *	11/2007	Seiberling	296/100.05

2007/0296240 A1 *	12/2007	Geise	296/100.06
2009/0102227 A1 *	4/2009	Herndon	296/100.06
2010/0045069 A1 *	2/2010	Koba	296/180.1
2010/0327618 A1 *	12/2010	Soldatelli	296/100.1
2011/0001333 A1 *	1/2011	Bruestle et al.	296/100.05

* cited by examiner

Primary Examiner — Caron Veynar

Assistant Examiner — Katrina A Kile

(74) *Attorney, Agent, or Firm* — John R. Benefiel

(57) **CLAIM**

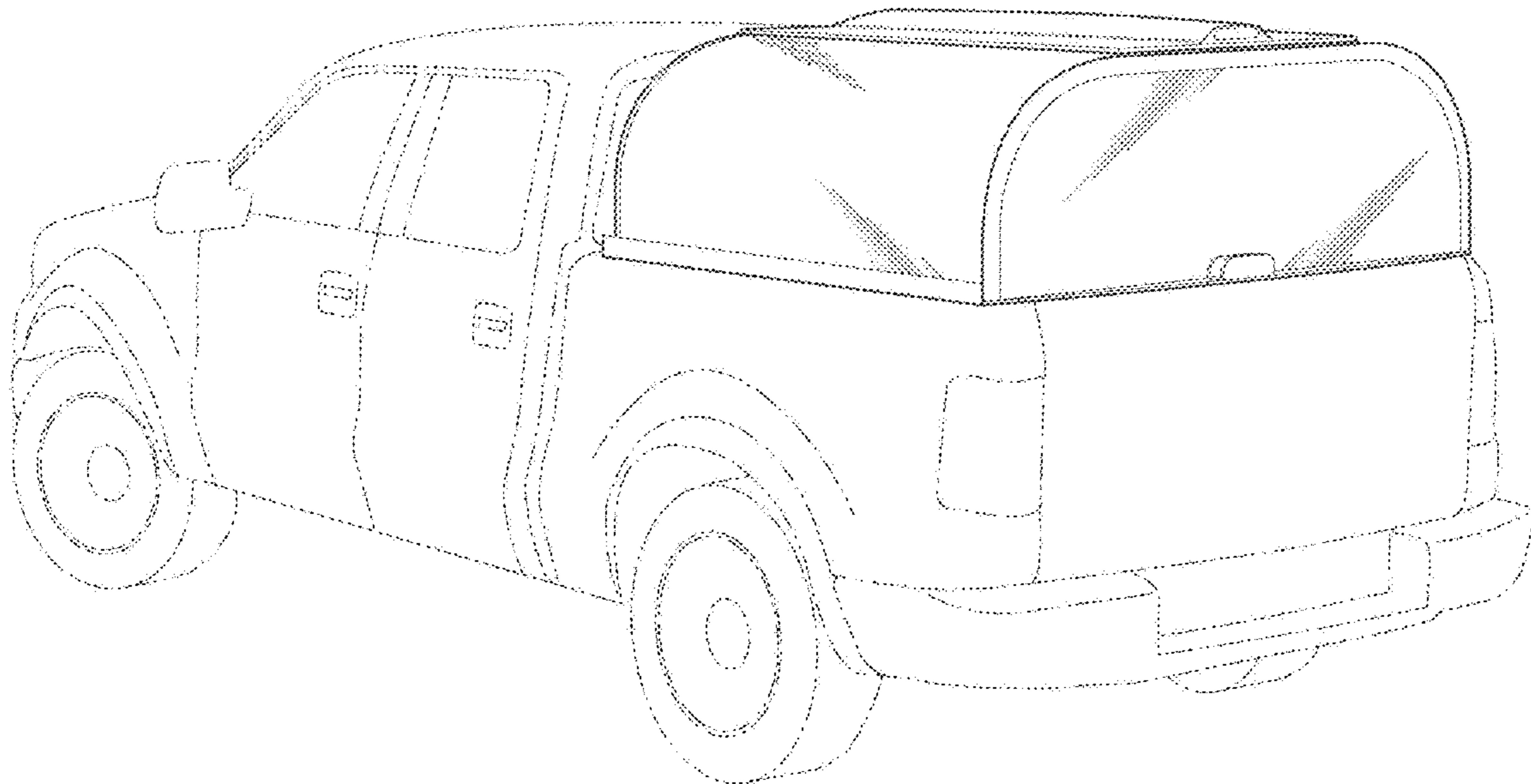
The ornamental design for collapsible cap for a pickup truck, as shown and described.

DESCRIPTION

FIG. 1 is a rear perspective view of a collapsible cap for pickup a truck showing my new design;
FIG. 2 is a rear perspective view of a collapsible cap for pickup a truck showing an alternate position of use;
FIG. 3 is a top view of a collapsible cap for pickup a truck;
FIG. 4 is a rear view of a collapsible cap for pickup a truck;
FIG. 5 is a left view of a collapsible cap for pickup a truck;
FIG. 6 is a right side view of a collapsible cap for pickup a truck; and,
FIG. 7 is a front end view of a collapsible cap for pickup a truck.

The broken line showing of a truck in FIGS. 1 and 2 forms no part of the claimed design.

1 Claim, 4 Drawing Sheets



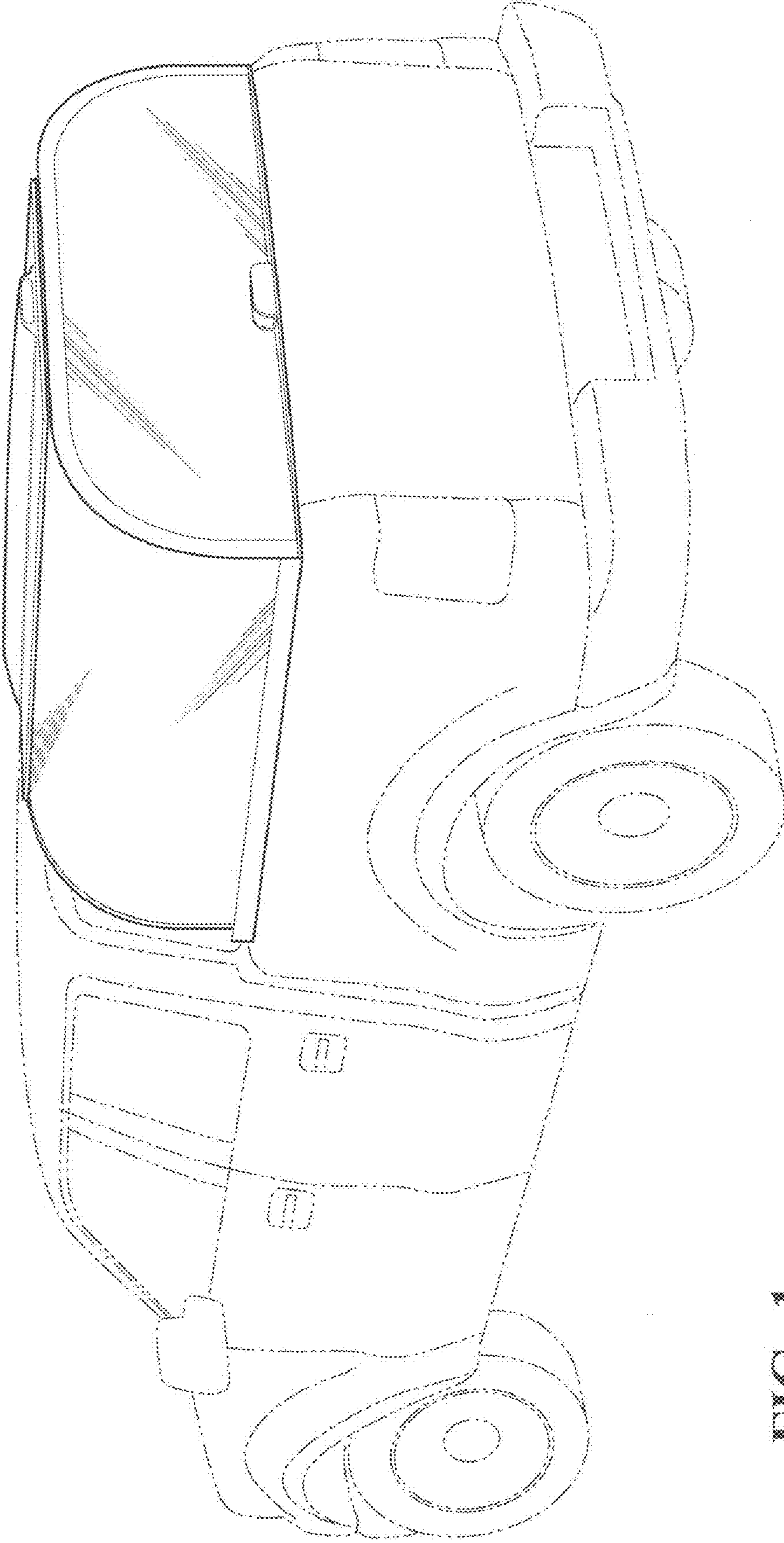


FIG. 1

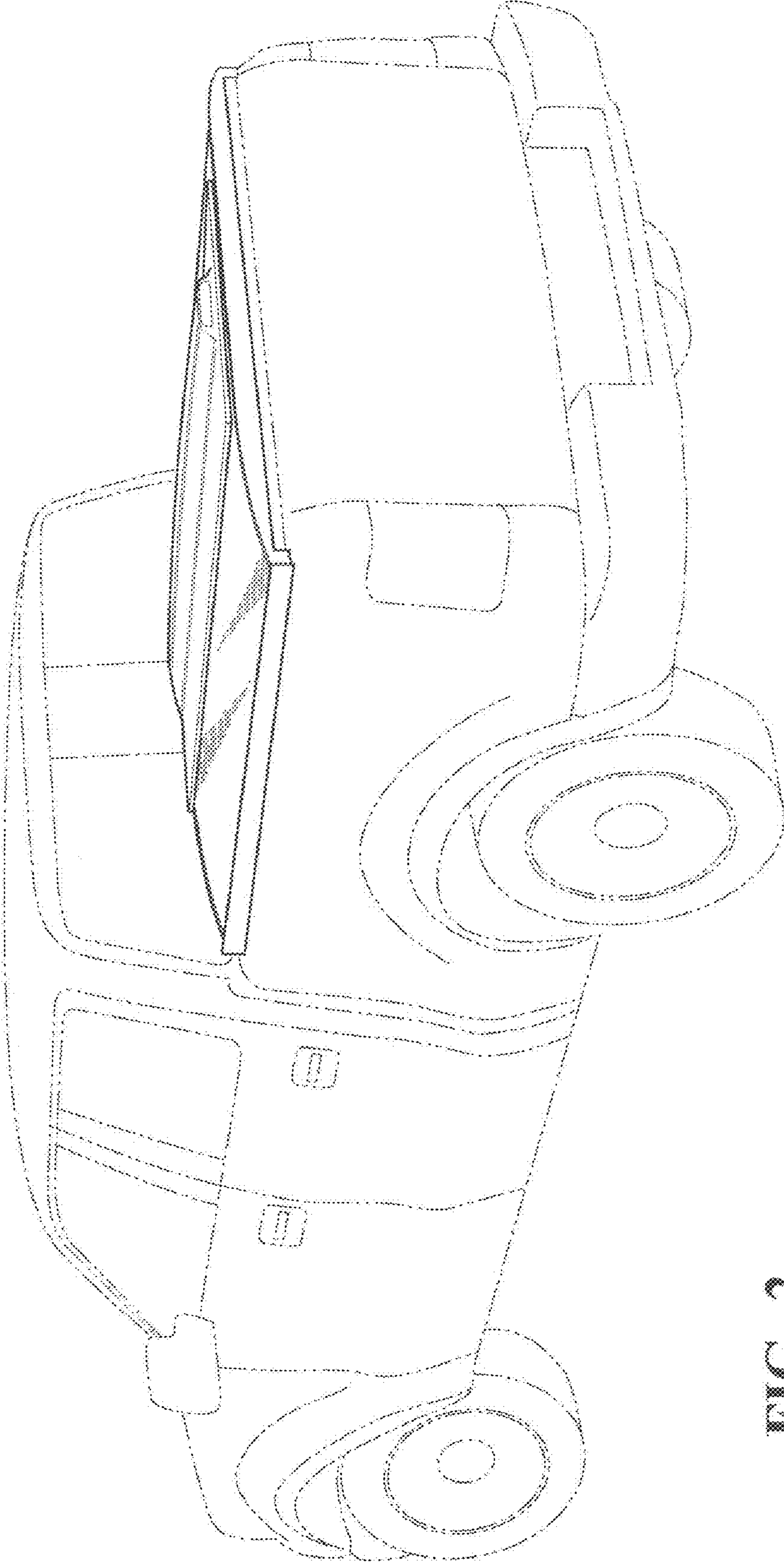


FIG. 2

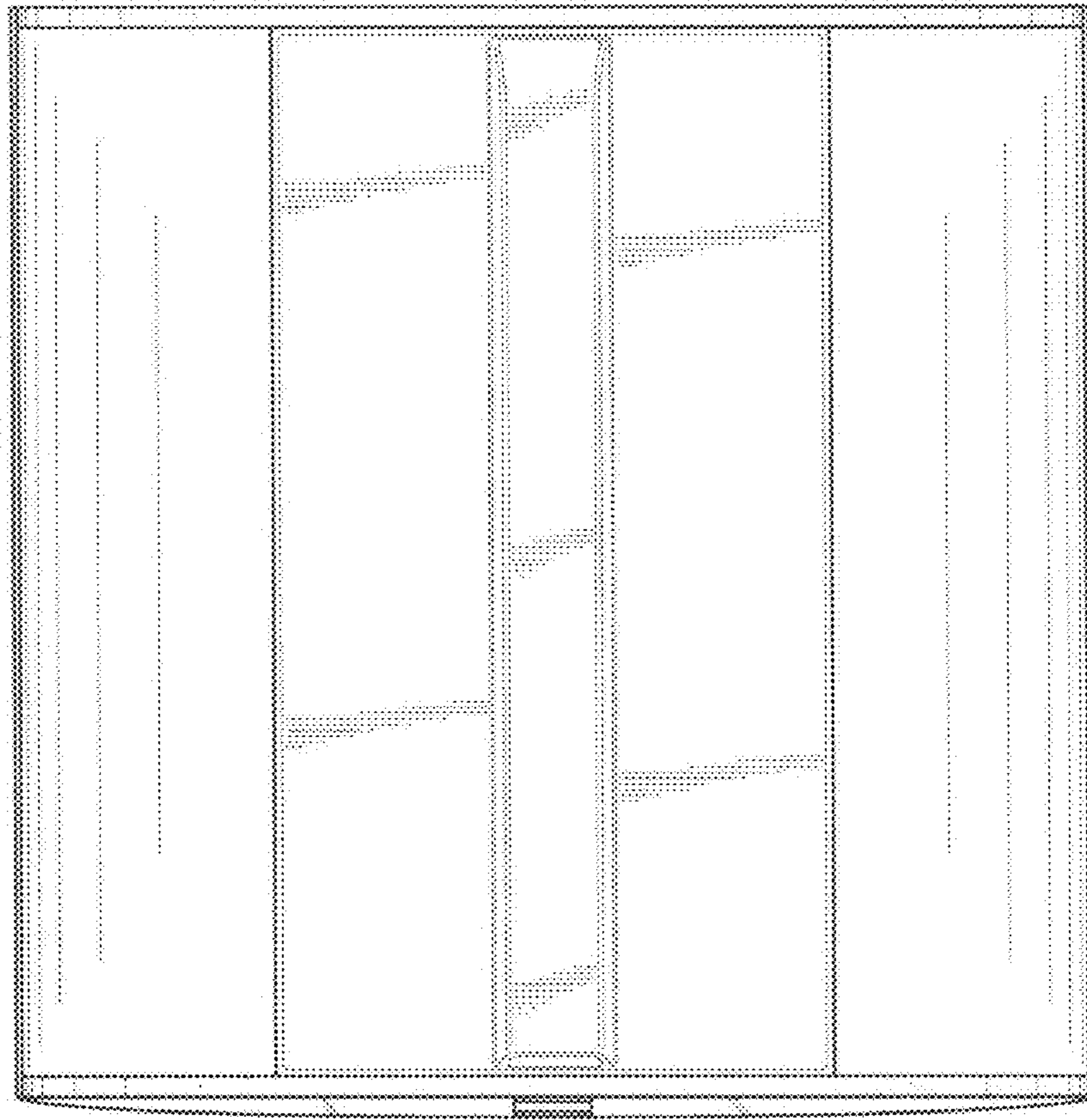


FIG. 3

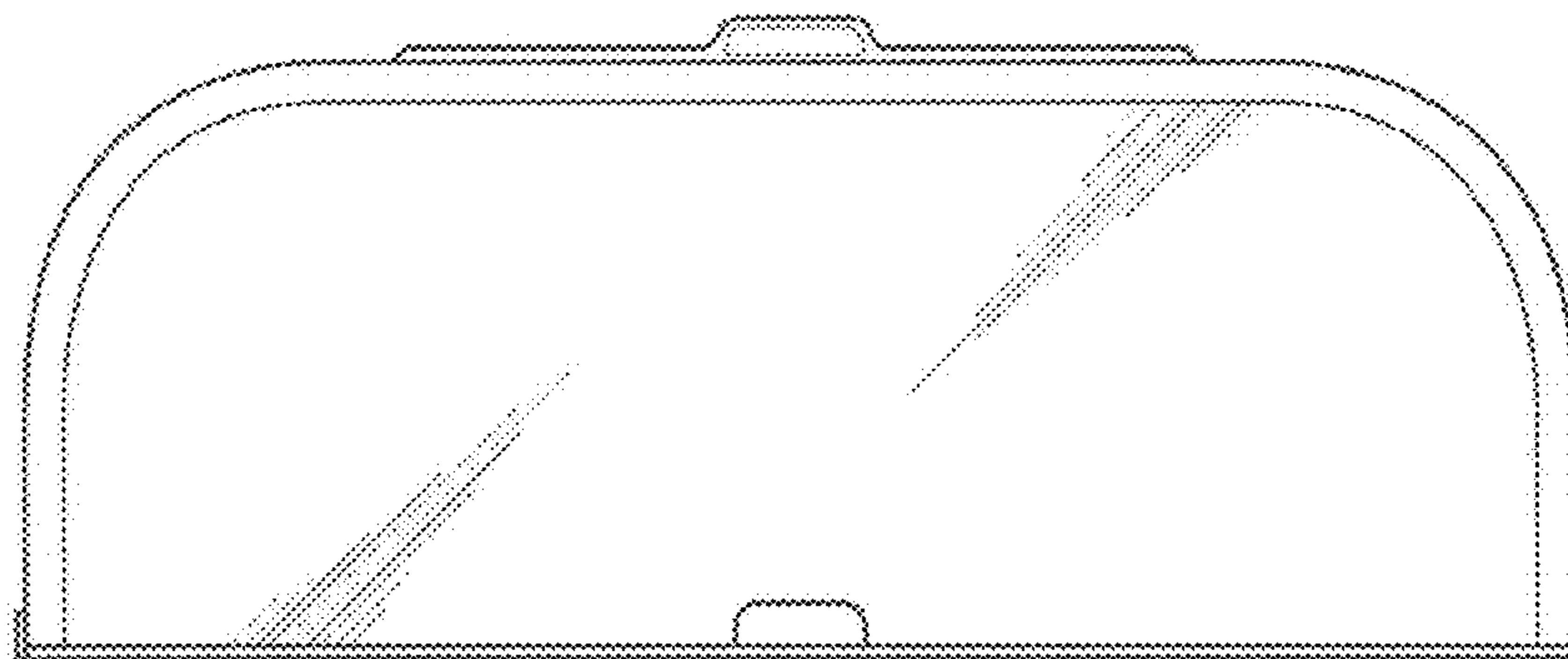


FIG. 4

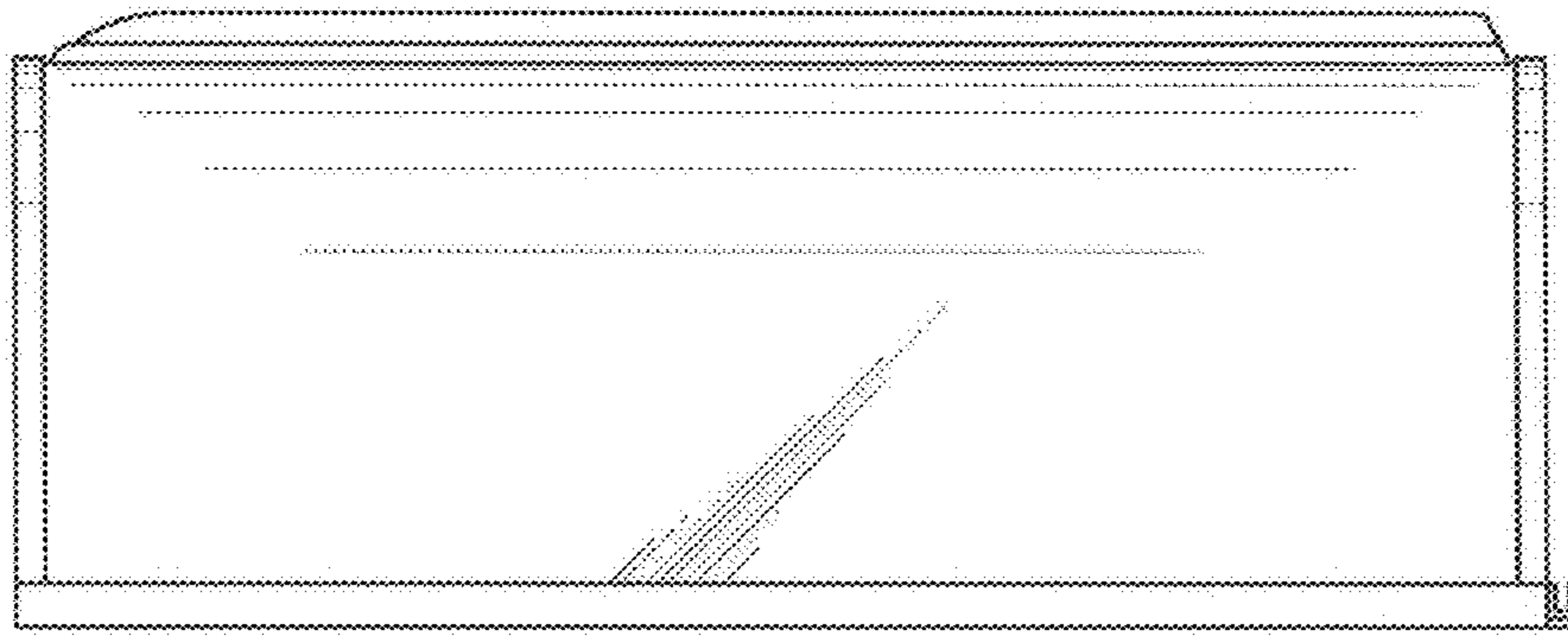


FIG. 5

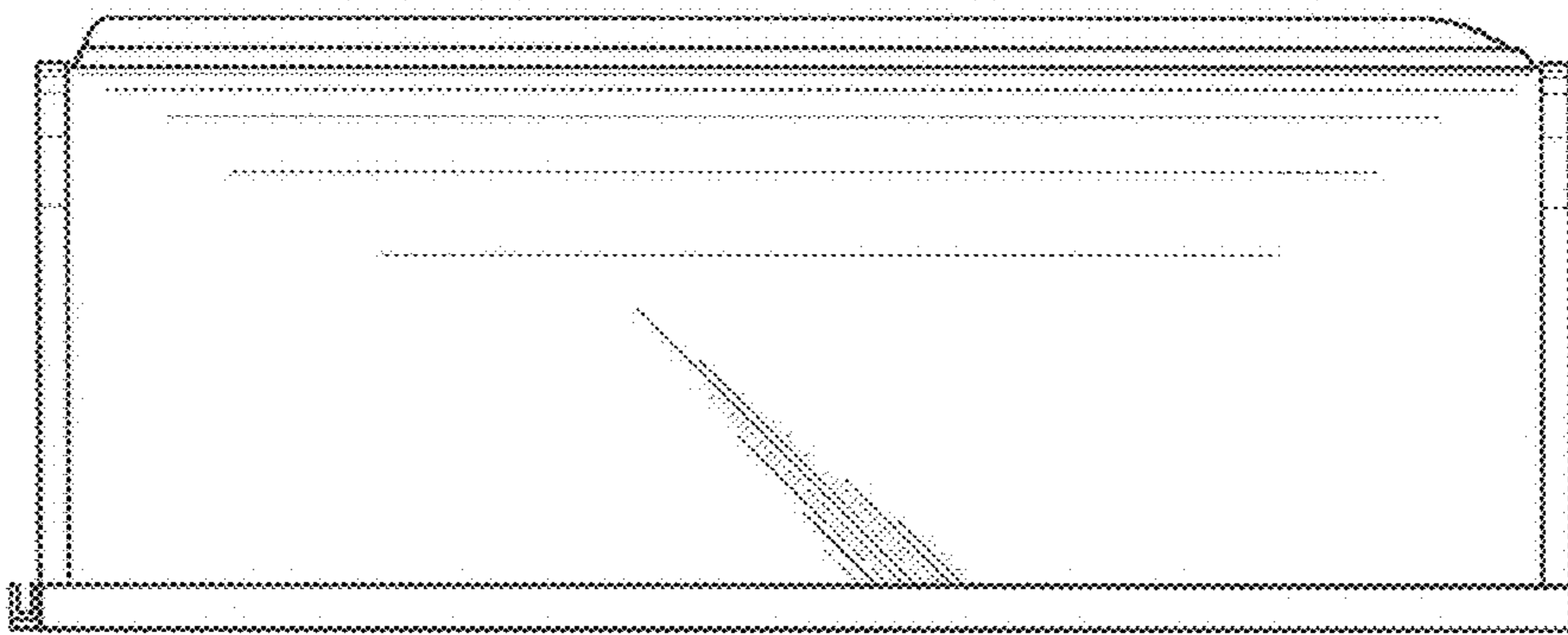


FIG. 6

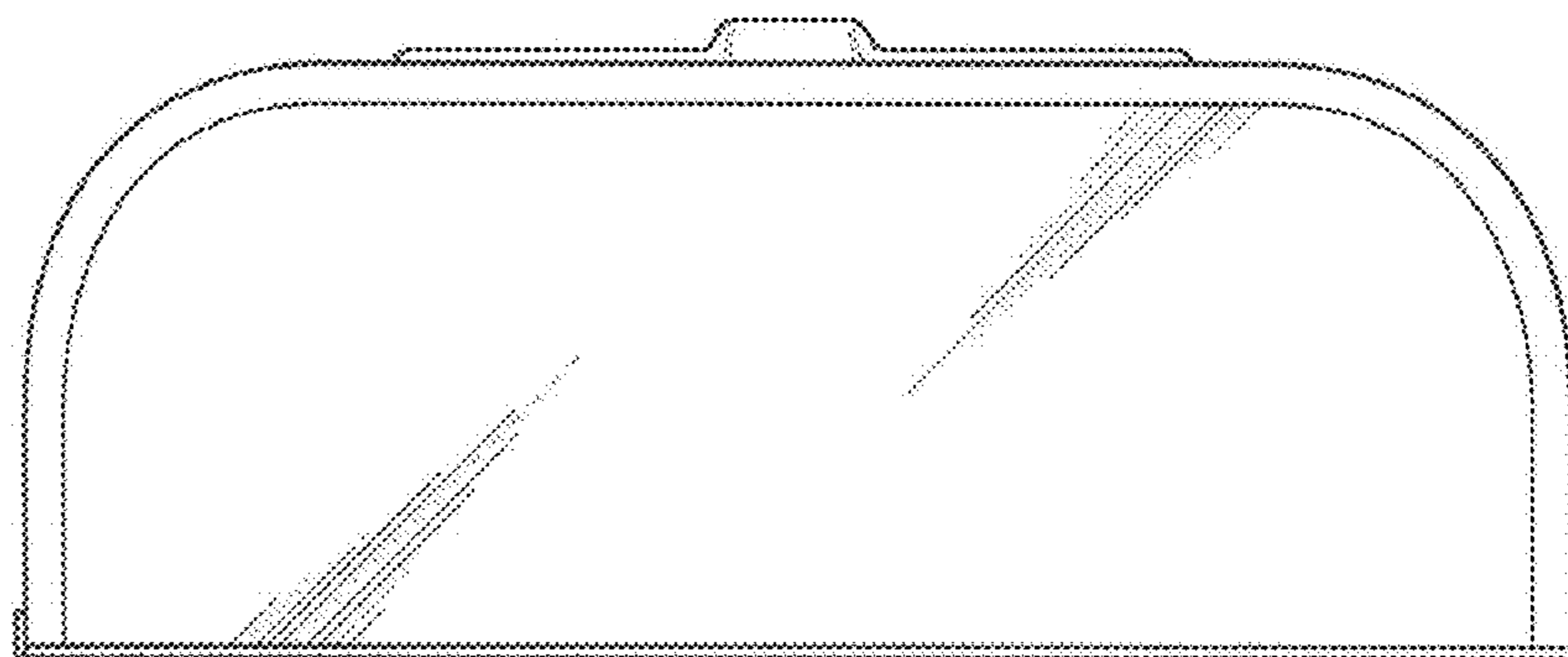


FIG. 7