



US00D638333S

(12) **United States Design Patent**
Freeman

(10) **Patent No.:** **US D638,333 S**

(45) **Date of Patent:** **** May 24, 2011**

(54) **VEHICLE**

(75) Inventor: **Michael David Freeman**, Bangkok (TH)

(73) Assignee: **RMA Automotive Co., Ltd.**, Bangkok (TH)

(**) Term: **14 Years**

(21) Appl. No.: **29/322,780**

(22) Filed: **Aug. 12, 2008**

(51) **LOC (9) Cl.** **12-08**

(52) **U.S. Cl.** **D12/86; D12/412**

(58) **Field of Classification Search** D12/86,
D12/87, 171, 412, 196, 14, 16, 169, 91, 92,
D12/82, 88; 180/312, 291, 311; 296/203.01,
296/181.1, 181.5, 185; 29/897.2; D21/424,
D21/433, 548, 549, 550

See application file for complete search history.

(56) **References Cited**

U.S. PATENT DOCUMENTS

D149,830	S	*	6/1948	Nelson	D12/159
4,217,970	A	*	8/1980	Chika	180/298
D435,510	S	*	12/2000	Quidort	D12/412
D483,708	S	*	12/2003	Roehmer et al.	D12/171
D513,223	S	*	12/2005	Saito et al.	D12/222
D551,138	S	*	9/2007	Storer et al.	D12/171
D558,123	S	*	12/2007	Murillo	D12/412
7,322,106	B2	*	1/2008	Marando et al.	29/897.2
D569,333	S	*	5/2008	Hartford	D12/401
D577,319	S	*	9/2008	Storer	D12/171
D586,261	S	*	2/2009	Burns	D12/87
D586,696	S	*	2/2009	Burns	D12/87

2008/0284119 A1* 11/2008 Williamson 280/30
* cited by examiner

Primary Examiner — Cynthia Underwood

(74) *Attorney, Agent, or Firm* — LaRiviere, Grubman & Payne, LLP

(57) **CLAIM**

The ornamental design for a vehicle, as shown and described.

DESCRIPTION

A portion of the disclosure of this patent document contains material which is subject to copyright protection. The copyright owner has no objection to the facsimile reproduction by any one of the patent document or the patent disclosure, as it appears in the Patent and Trademark Office patent file or records, but otherwise reserves all copyright rights whatsoever.

FIG. 1 is a front perspective view of a vehicle showing environment, in accordance with the present invention.

FIG. 2 is a rear perspective view of a vehicle showing environment, in accordance with the present invention.

FIG. 3 is a side view of a vehicle showing environment, in accordance with the present invention.

FIG. 4 is an opposing side view of a vehicle showing environment, in accordance with the present invention.

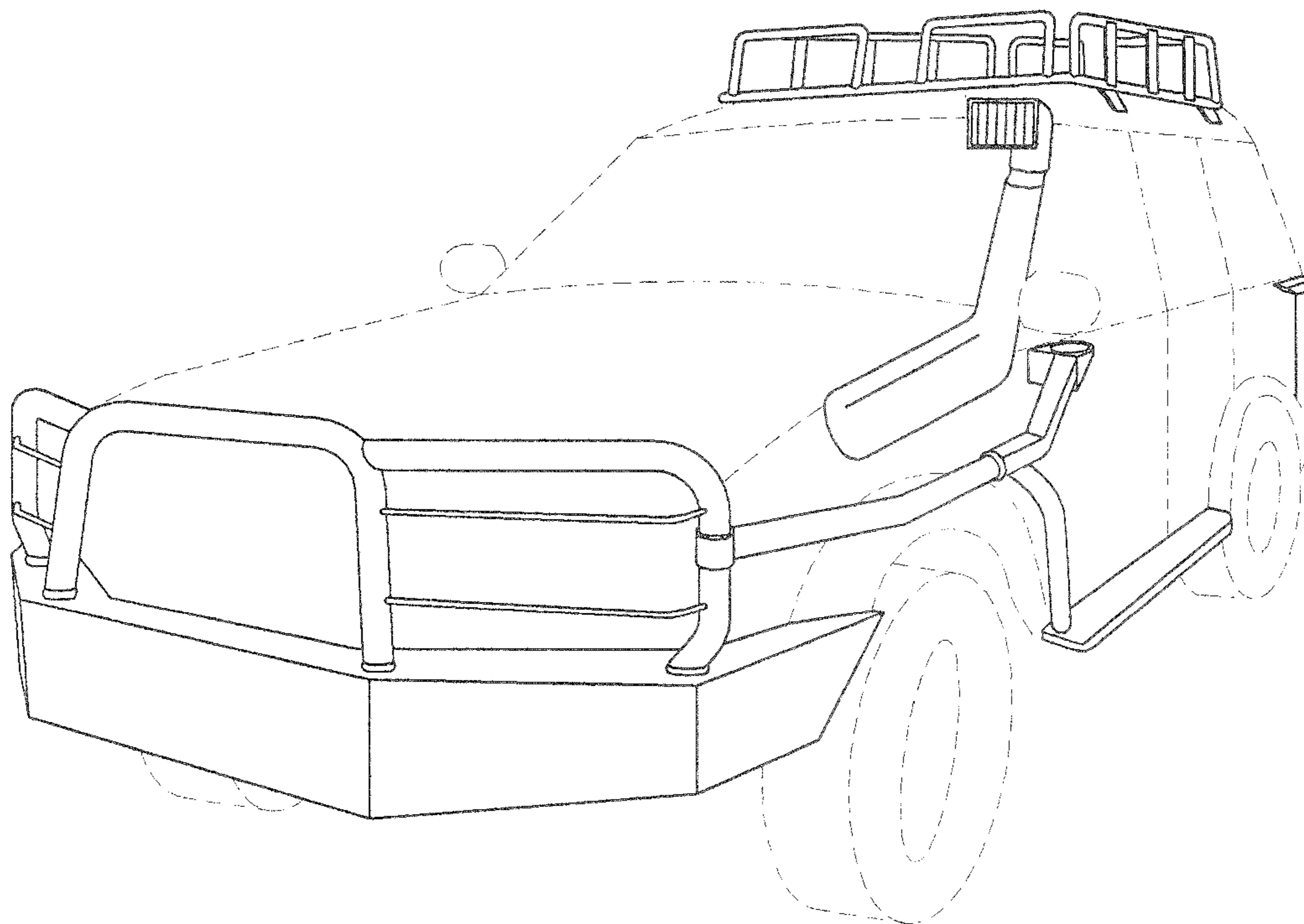
FIG. 5 is a top view of a vehicle showing environment, in accordance with the present invention.

FIG. 6 is a front view of a vehicle showing environment, in accordance with the present invention; and,

FIG. 7 is a rear view of a vehicle showing environment, in accordance with the present invention.

The broken lines showing the environment in the Figures are for illustrative purposes only and form no part of the claimed design.

1 Claim, 7 Drawing Sheets



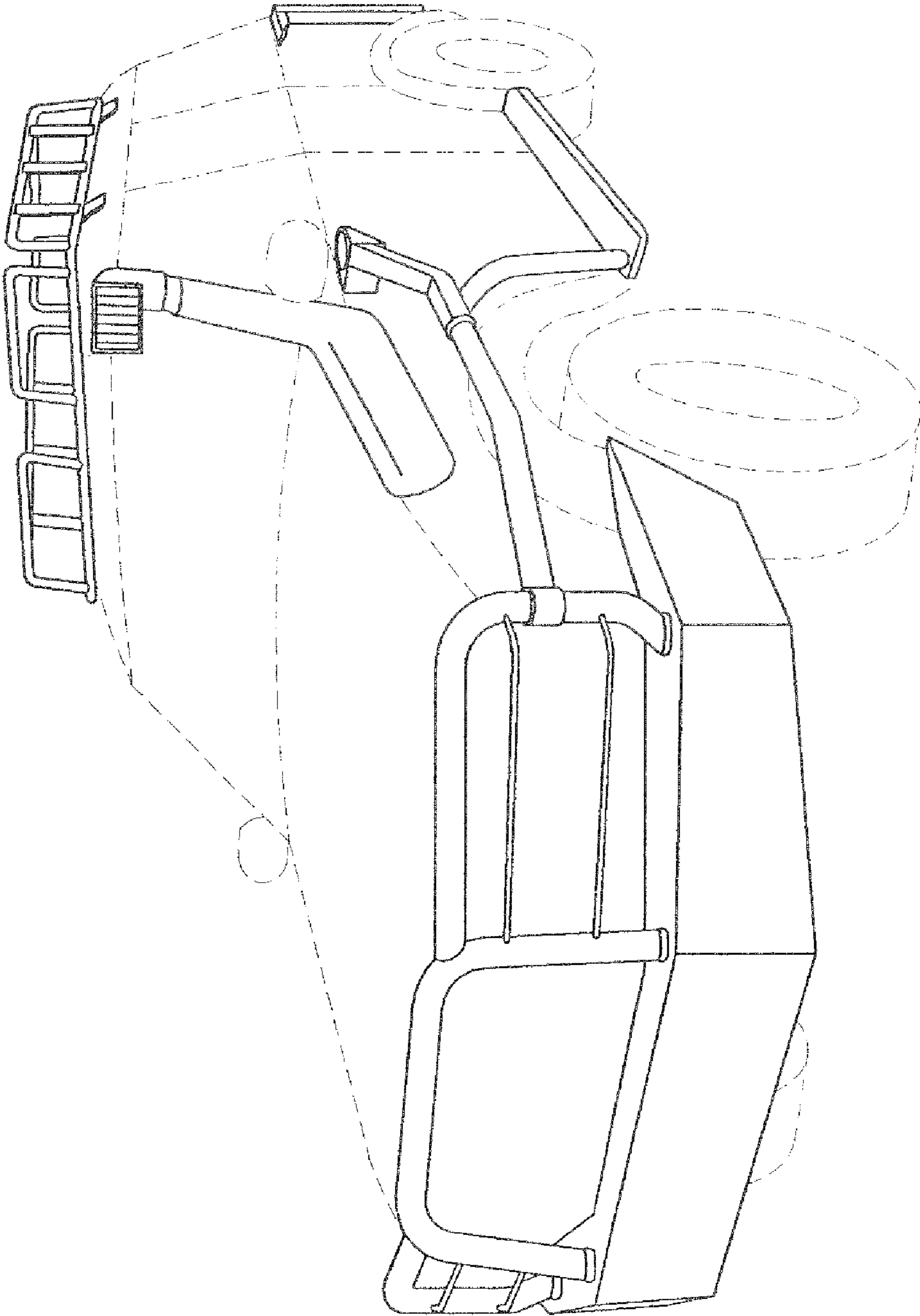


Figure 1

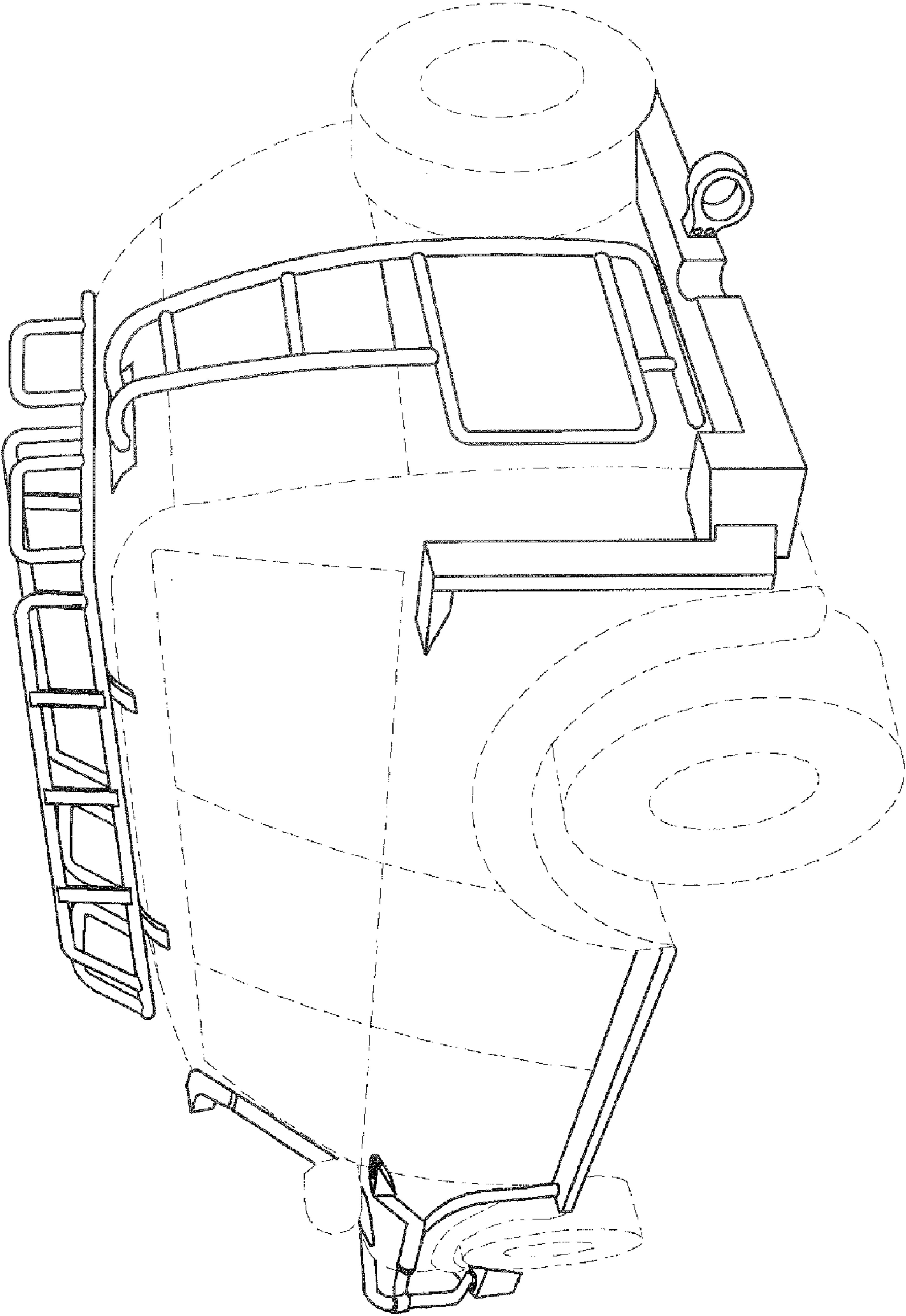


Figure 2

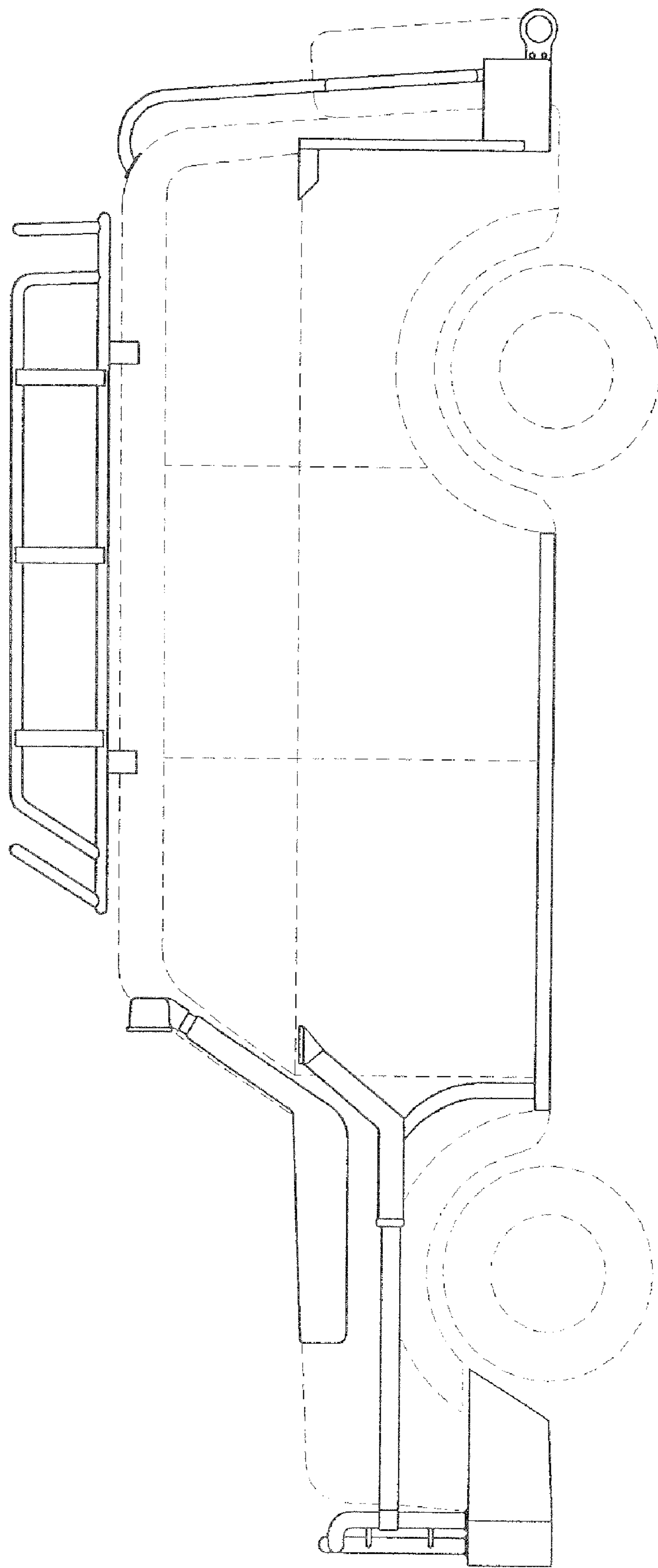


Figure 3

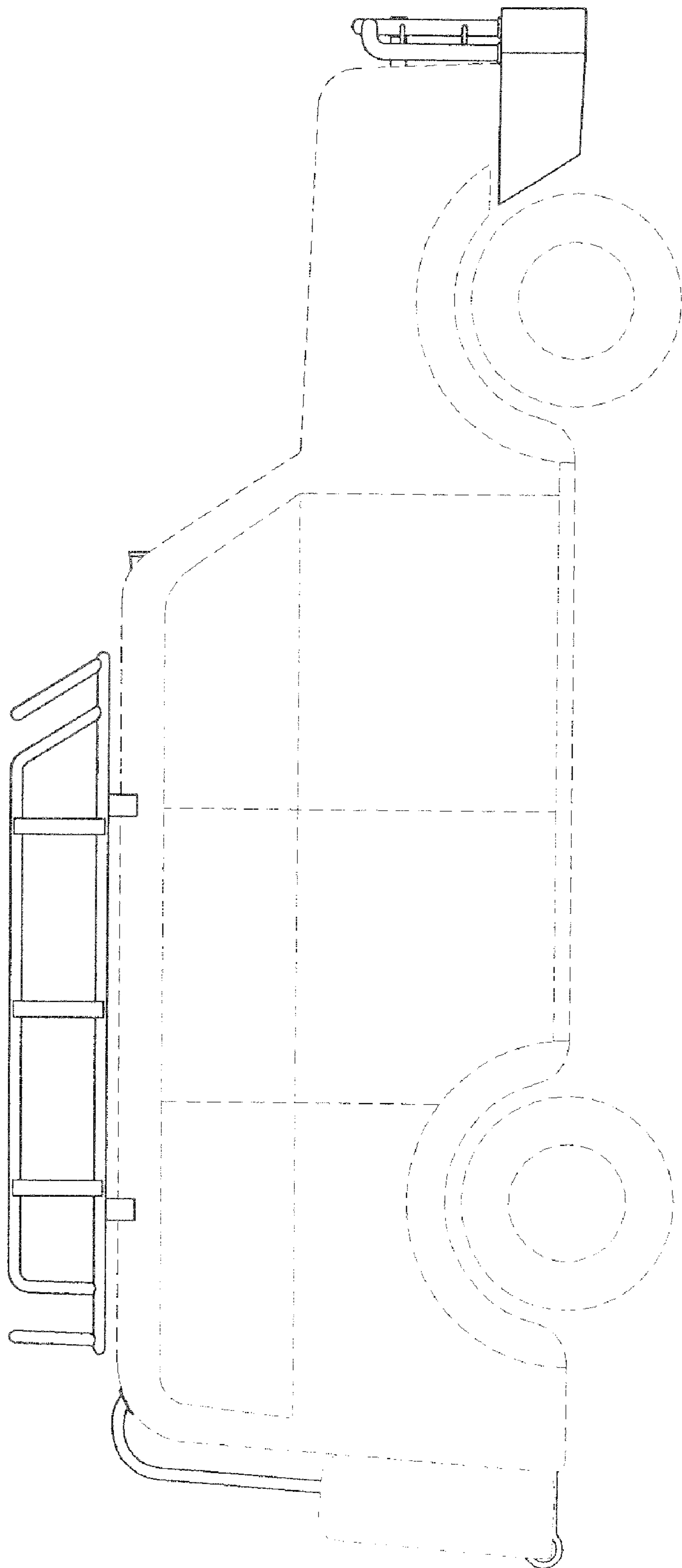


Figure 4

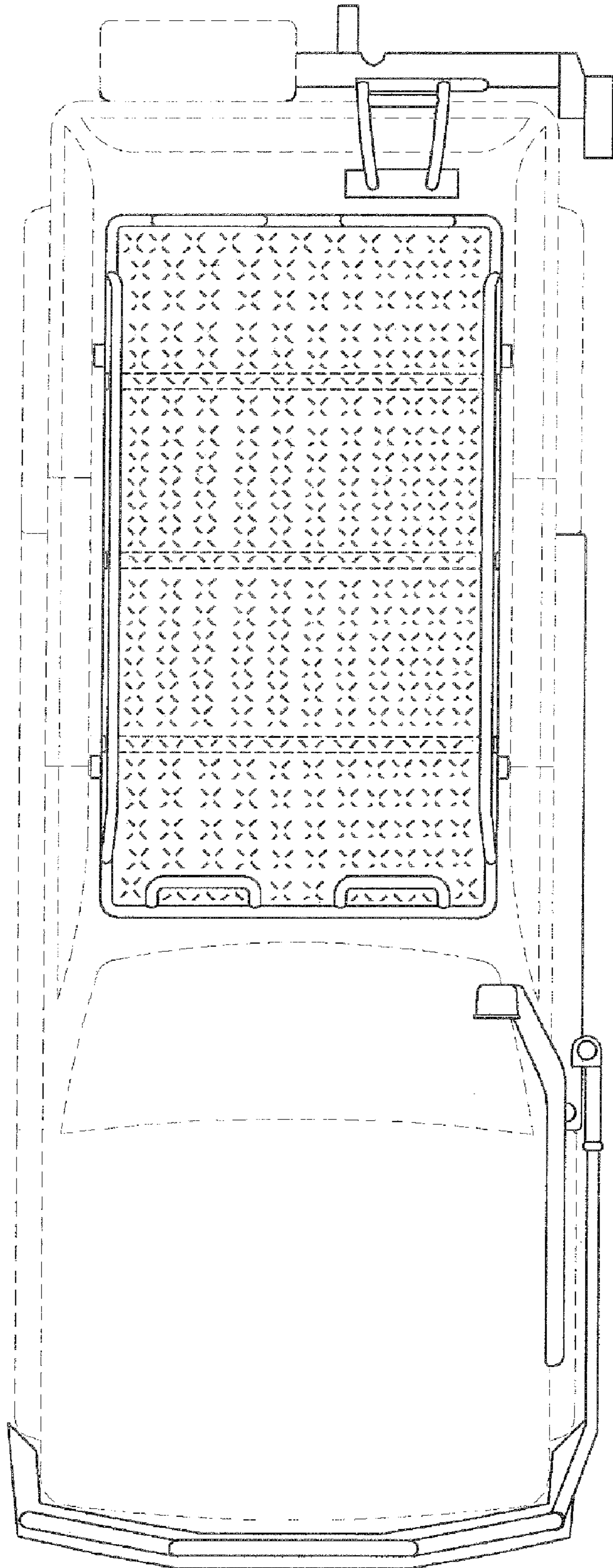


Figure 5

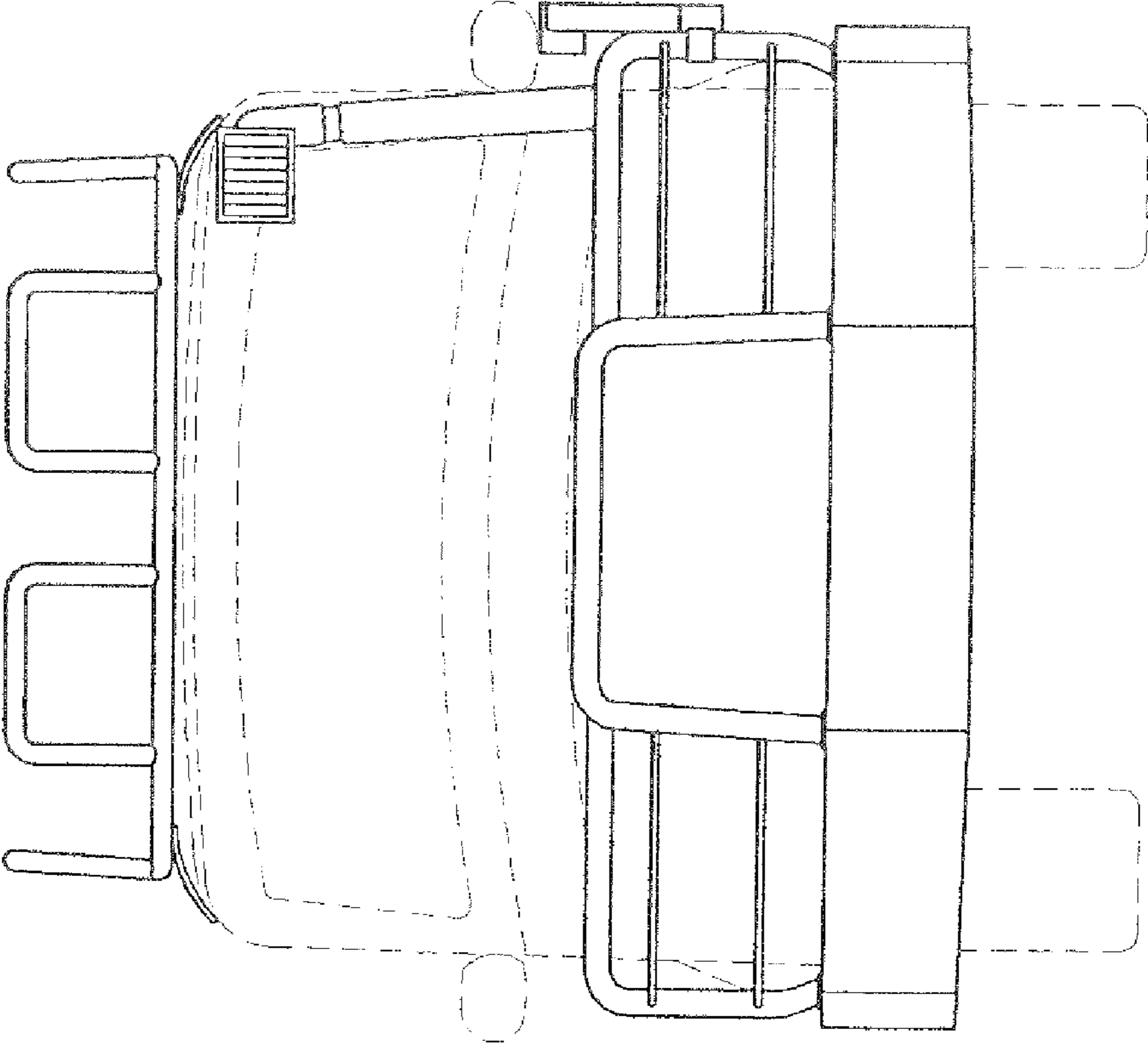


Figure 6

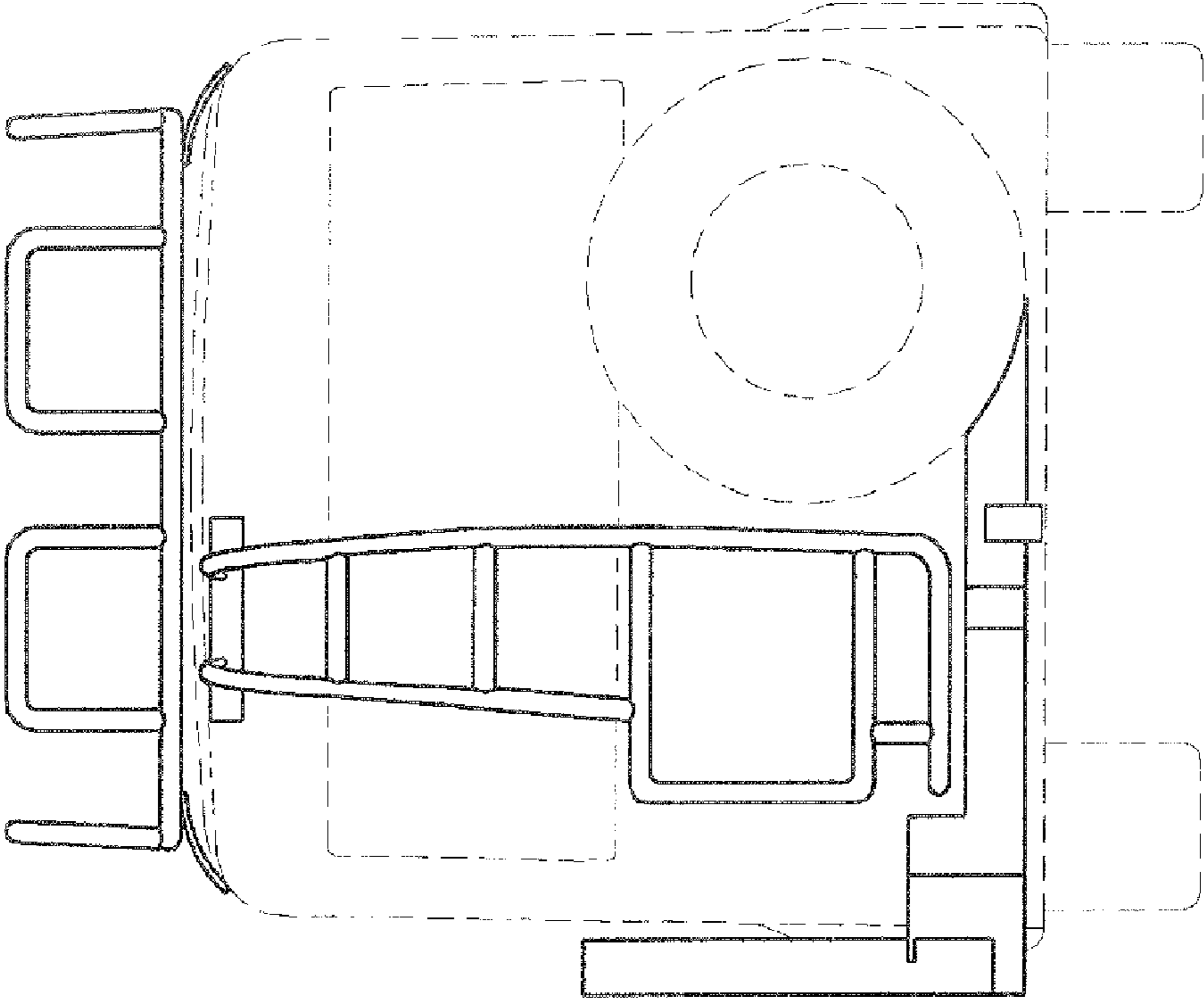


Figure 7