



US00D638331S

(12) **United States Design Patent**
Paik

(10) **Patent No.:** **US D638,331 S**

(45) **Date of Patent:** **** May 24, 2011**

(54) **MALE LATCH OF CROSS-SHAPED BUCKLE**

D597,441 S * 8/2009 Uehara D11/216
D619,496 S * 7/2010 Paik D11/216
D625,226 S * 10/2010 Pontaoe D11/216

(76) Inventor: **Jisook Paik**, Seoul (KR)

* cited by examiner

(**) Term: **14 Years**

Primary Examiner — Ralf Seifert

(21) Appl. No.: **29/368,194**

(74) *Attorney, Agent, or Firm* — Kile Park Goekjian Reed & McManus PLLC

(22) Filed: **Aug. 19, 2010**

(57) **CLAIM**

(30) **Foreign Application Priority Data**

I claim, the ornamental design for a male latch of cross-shaped buckle, as shown and described.

Jul. 15, 2010 (KR) 30-2010-0021066

DESCRIPTION

(51) **LOC (9) Cl.** **02-07**

(52) **U.S. Cl.** **D11/216**

(58) **Field of Classification Search** D11/1-2,
D11/200-201, 206-210, 214-218; 24/163 R,
24/169-171, 173, 177-179, 191, 194-195,
24/197, 200

FIG. 1 is a perspective view of a male latch of cross-shaped buckle, showing my new design;
FIG. 2 is a front elevational view thereof;
FIG. 3 is a rear elevational view thereof;
FIG. 4 is a left side elevational view thereof;
FIG. 5 is a right side elevational view thereof;
FIG. 6 is a top plan view thereof;
FIG. 7 is a bottom plan view thereof; and,
FIG. 8 is a cross-sectional view thereof taken along line '8-8' in FIG. 2.

See application file for complete search history.

(56) **References Cited**

U.S. PATENT DOCUMENTS

D576,519 S * 9/2008 Uehara D11/216

1 Claim, 4 Drawing Sheets

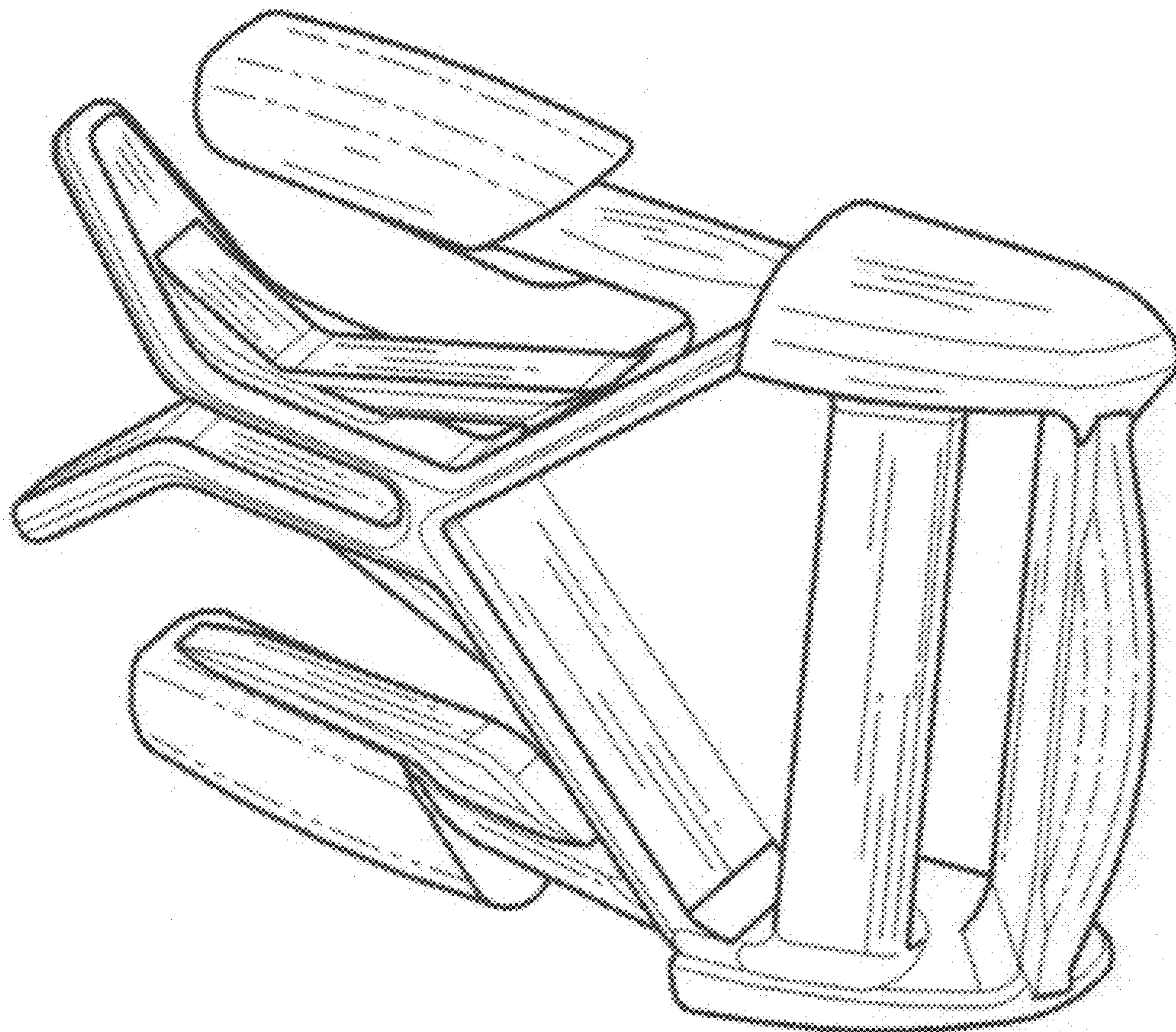


Fig. 1

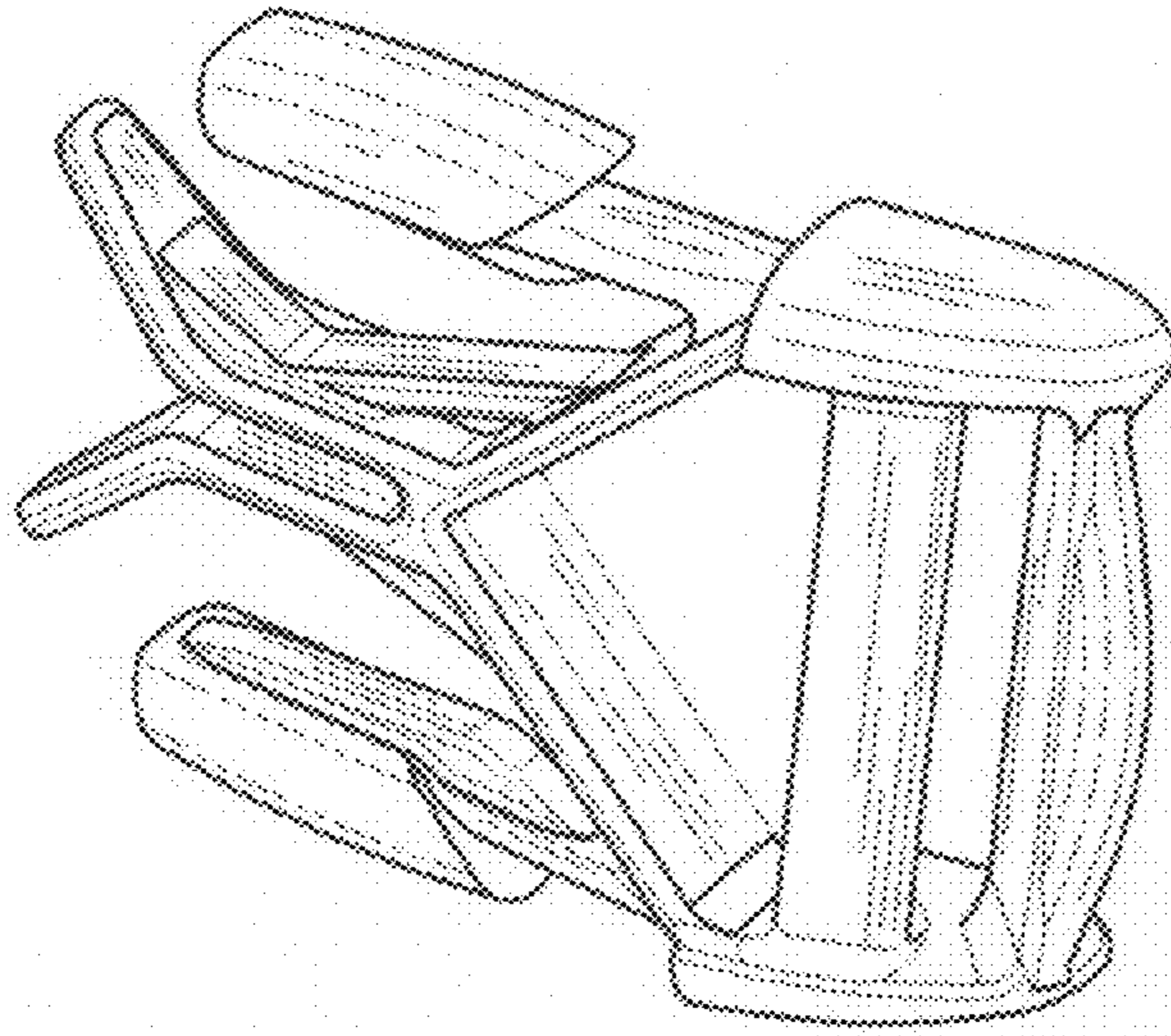


Fig. 2

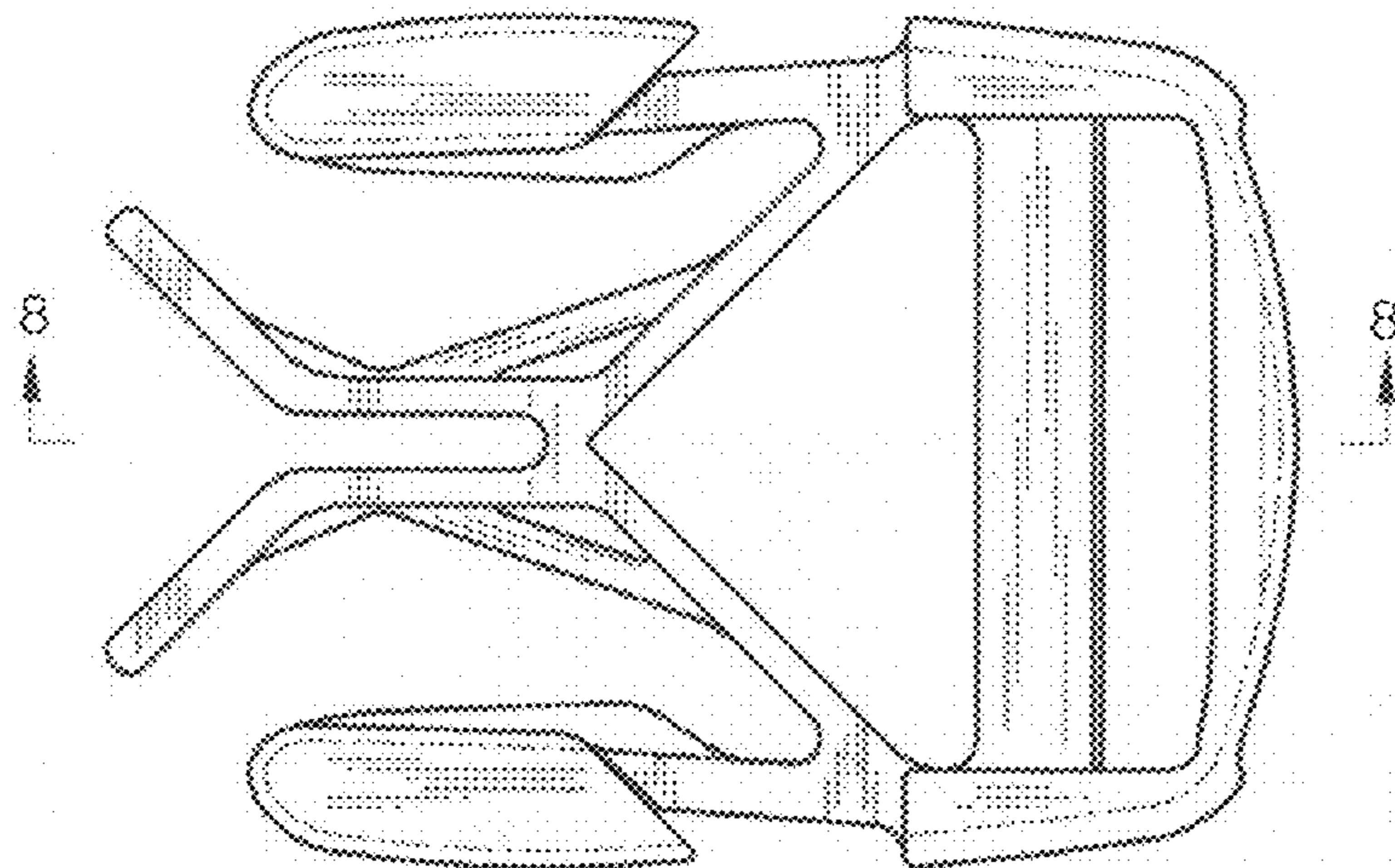


Fig. 3

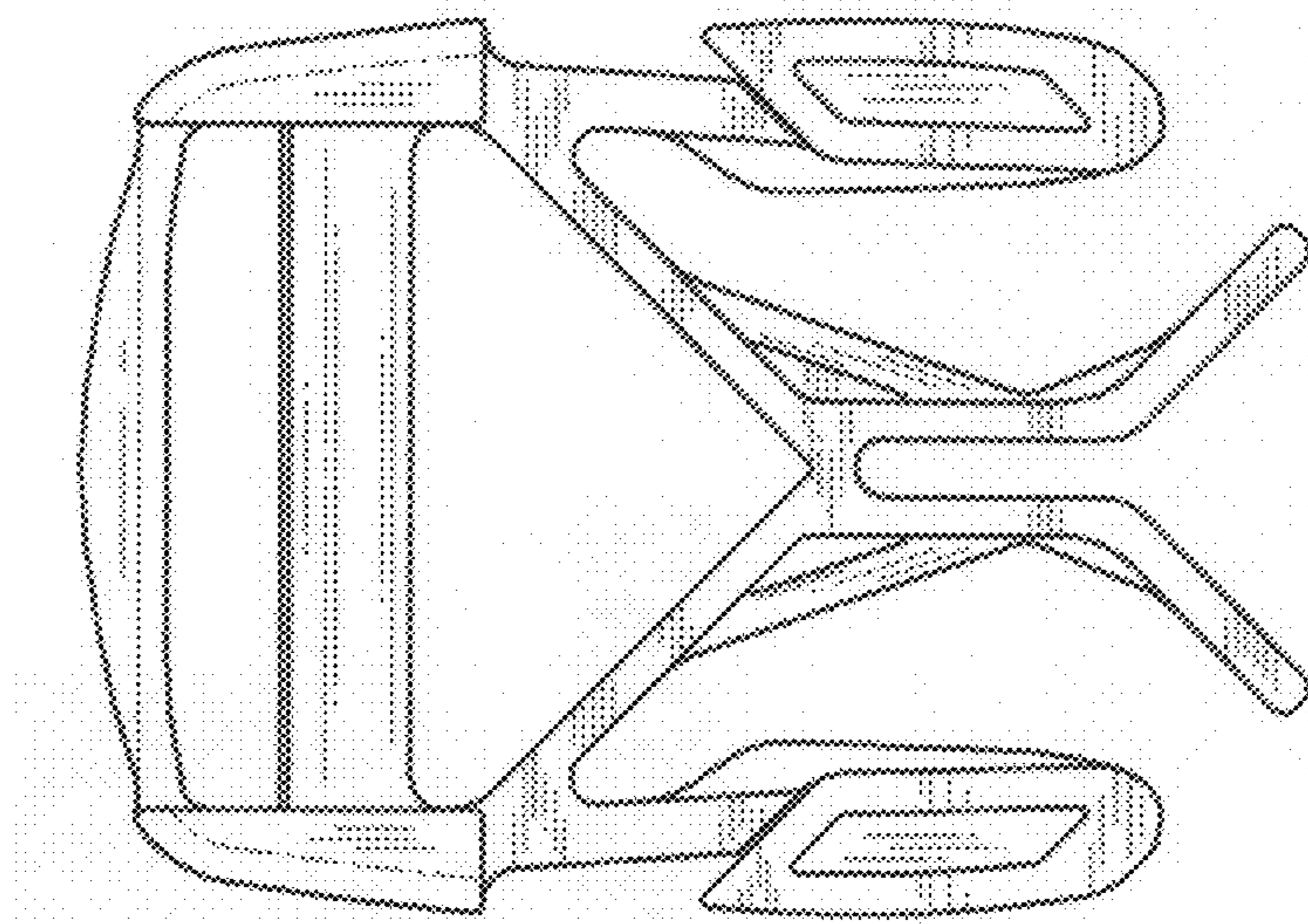


Fig. 4

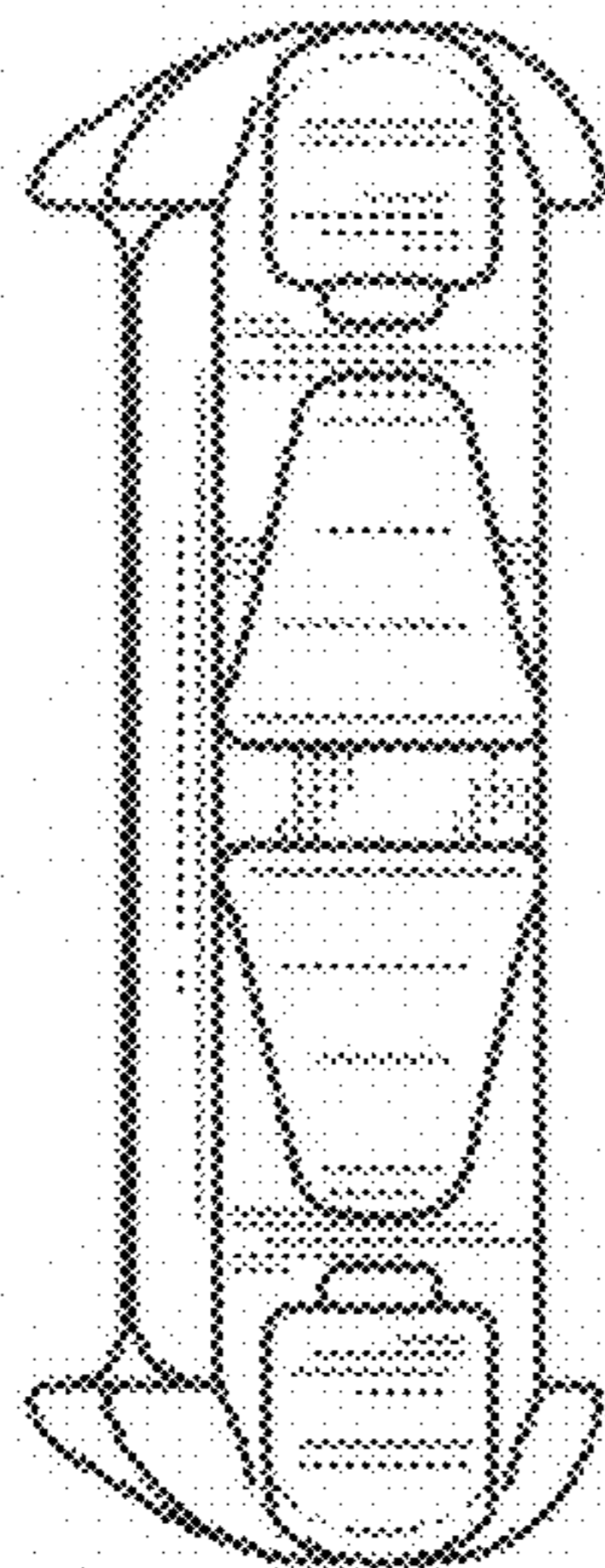


Fig. 5

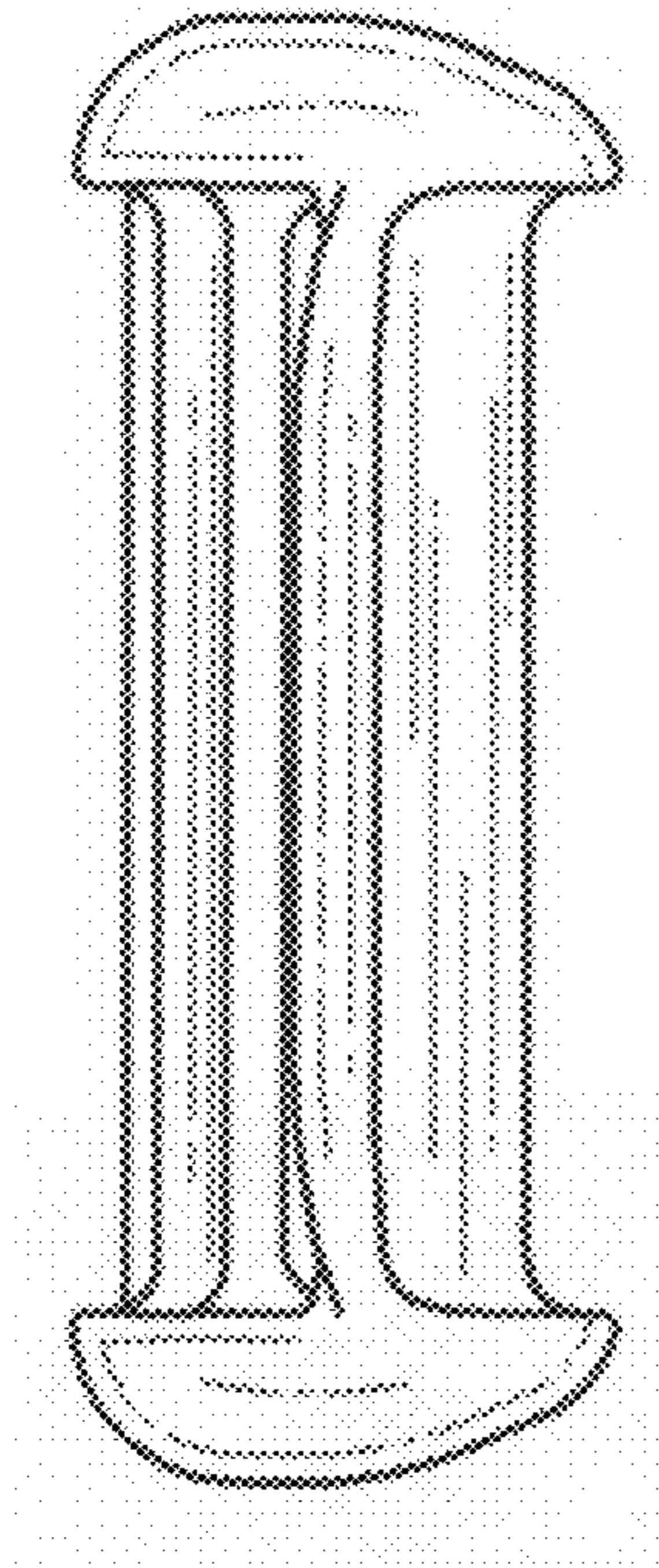


Fig. 6

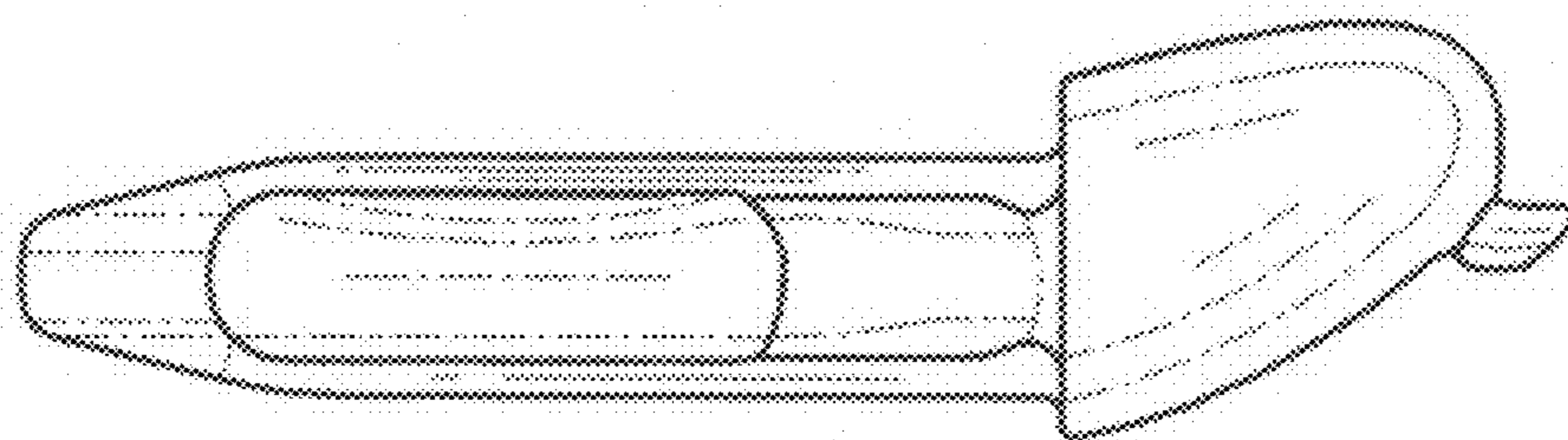


Fig. 7

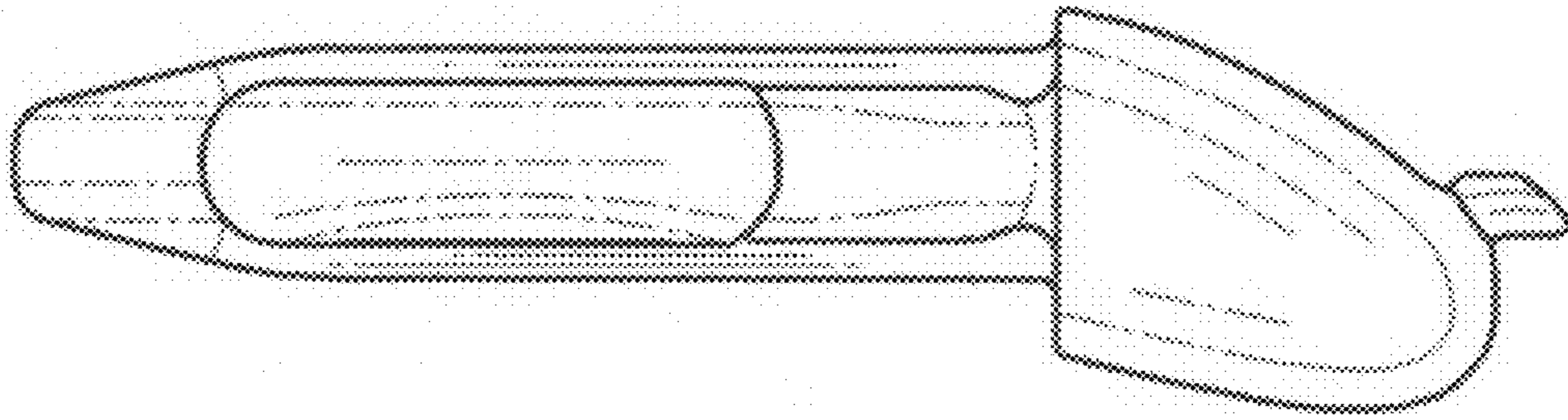


Fig. 8

